

FILE PATH: Autocad Dwg/24 - Pineville_Lot_4.dwg/24-PINEVILLE_LOT4.dwg



PINEVILLE DC - LOT 4

PINEVILLE, NC

©2023, Atlas Collaborative LLC. These drawings are protected by the copyright laws of the United States. These drawings or any part thereof may not be used for any purpose or reproduced in any form or by any means without the written consent of Atlas Collaborative, LLC.

Print Record
09 DECEMBER 2024 DESIGN REVIEW

Revisions

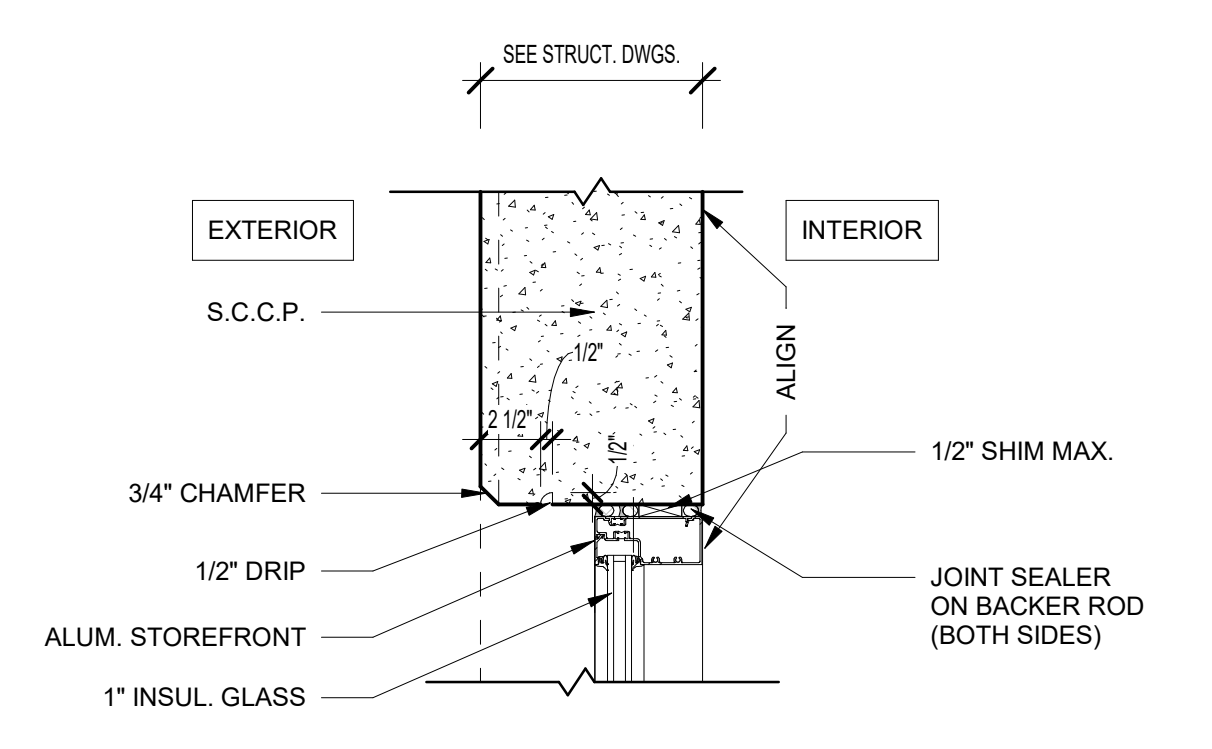
Issue Date: 12/09/2024 Job No: pineville-104
Sheet Title:

OVERALL FLOOR PLAN

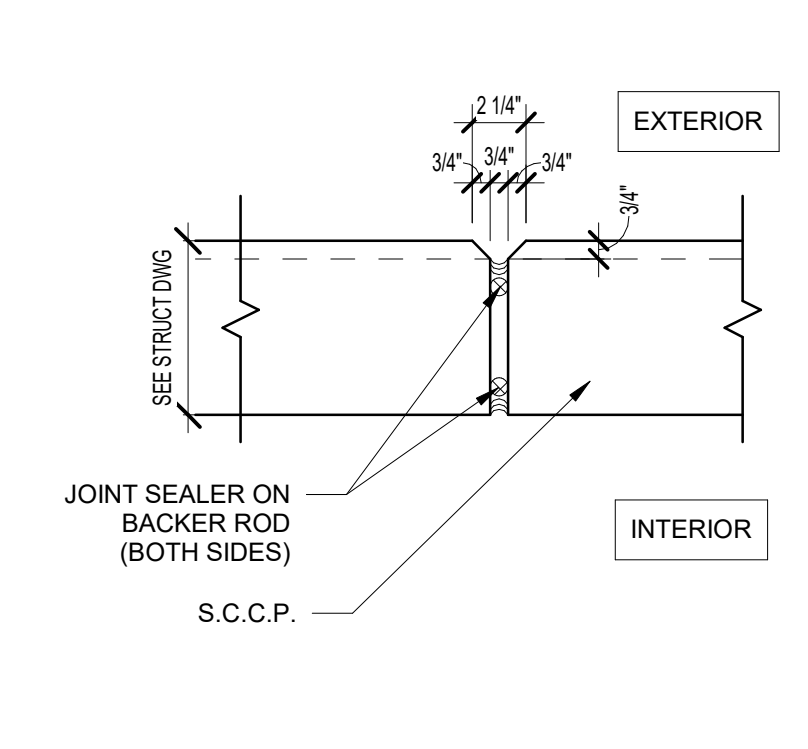
Sheet No.

A-101

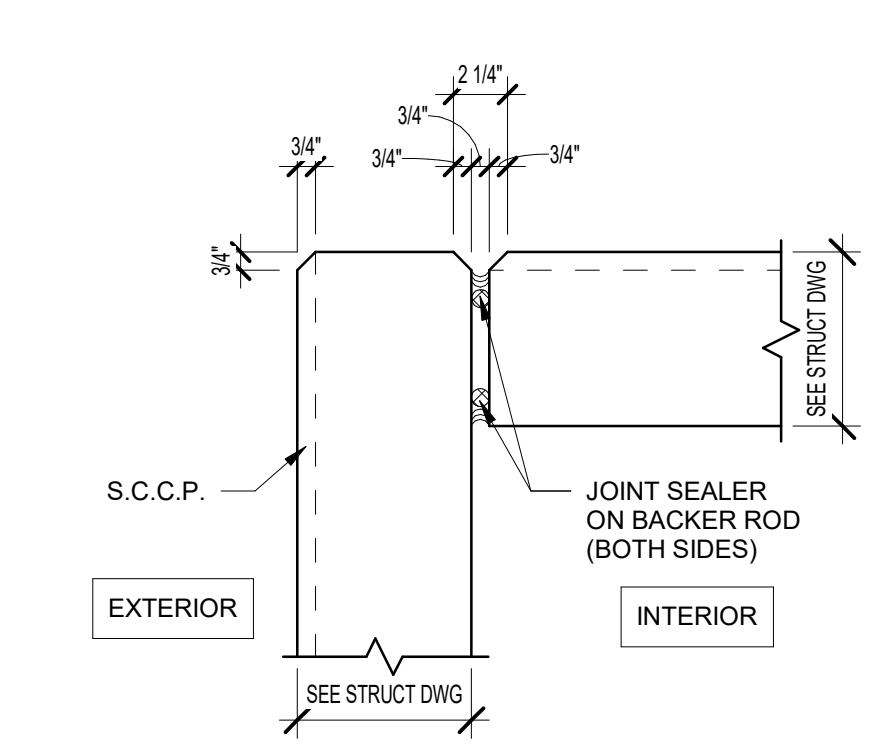
NOT ISSUED FOR CONSTRUCTION



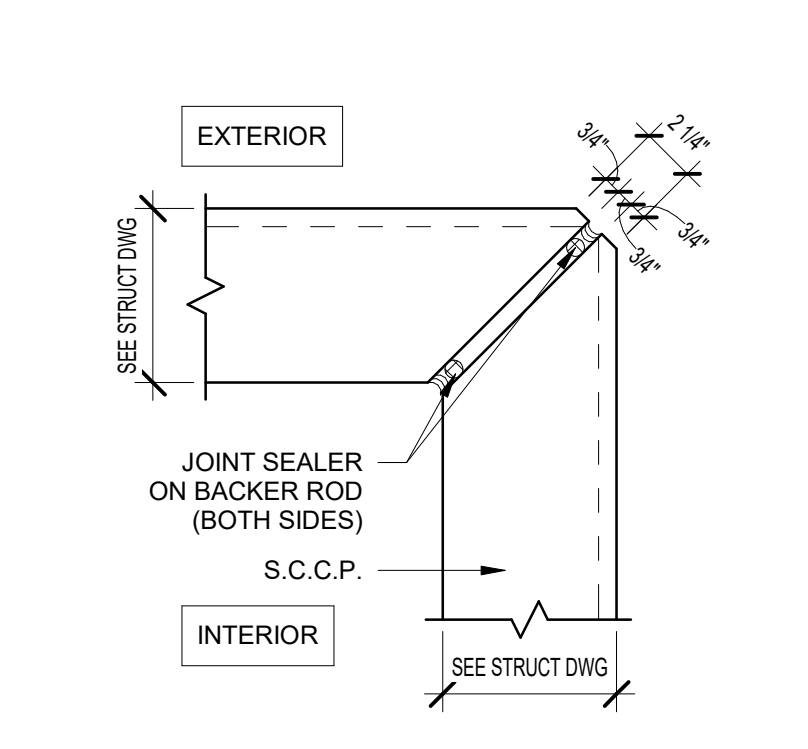
5 TYPICAL S.C.C.P. / SF DETAIL
SCALE: 1 1/2" = 1'-0"



4 TYPICAL S.C.C.P. JOINT DETAIL
SCALE: 1 1/2" = 1'-0"



3 TYPICAL S.C.C.P. CORNER DETAIL
SCALE: 1 1/2" = 1'-0"



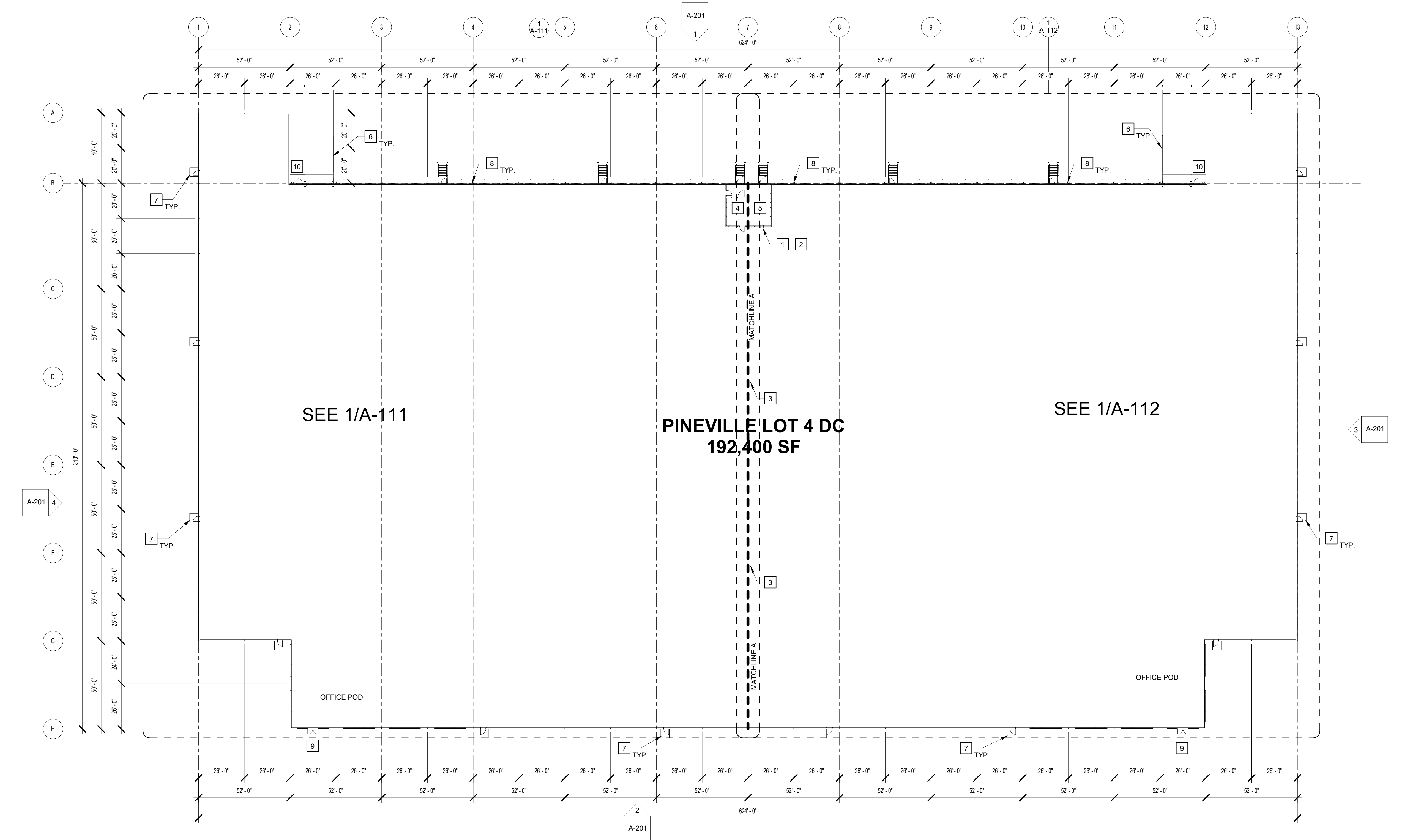
2 TYP. S.C.C.P. MITERED CORNER
SCALE: 1 1/2" = 1'-0"

KEYNOTES

- 1 ACCESS LADDER TO CONCRETE ROOF OF ELECTRICAL ROOM - SEE ENLARGED PLANS.
- 2 3'-0" X 3'-0" ROOF HATCH WITH ACCESS LADDER FROM CONCRETE ROOF AT ELECTRICAL ROOF BELOW. G.C. TO COORDINATE WITH STRUCTURE, PAINTED SAFETY YELLOW - SEE ENLARGED PLANS AND ROOF PLAN.
- 3 BRACING DOWN TO 14' A.F.F. - SEE STRUCTURAL.
- 4 ELECTRICAL ROOM - 1 HOUR RATED
- 5 FIRE PUMP ROOM - 1 HOUR RATED
- 6 RAMP GUARDRAIL - SEE DETAILS 4, 12 & 13 ON A-401
- 7 5' X 5' CONCRETE PAD, SLOPE AWAY FROM BUILDING AT 1/4" PER FT. MAX.
- 8 9" X 9" 24 GAUGE METAL DOWNSPOUTS WITH KYNAR FINISH
- 9 RECESSED CAN LIGHT IN SOFFIT ABOVE
- 10 DOUBLE DOWNSPOUT TO BE CONNECTED TO HUB DRAIN AND PIPED UNDER RAMP AND DAYLIGHTED ON TRUCK COURT. PROVIDE BIRD SCREEN AT RAMP WALL OPENING.

GENERAL NOTES

1. BUILDING TO BE 32' CLEAR JUST PAST THE FIRST COLUMN LINE IN FROM THE DOCK WALL.
2. SLAB CONTROL JOINTS TO BE SAWCUT AND NOT TO EXCEED 15'-0" ON CENTER. SEE STRUCTURAL DRAWINGS FOR FLOOR SLAB CONTROL JOINTS. EPOXY JOINT FILLER - USE MM80 A TWO COMPONENT, HEAVY DUTY SEMI-RIGID EPOXY JOINT FILLER DESIGNED TO FILL AND PROTECT CONTRACTION AND CONSTRUCTION JOINTS. USE IN ENTIRE FACILITY/SPEED BAY FLOORS ONLY.
3. SLAB CONSTRUCTION JOINTS TO HAVE SMOOTH DOWELS AT 24" O.C. OR STEEL DIAMOND PLATES - SEE STRUCTURAL DRAWINGS. CAULK AROUND COLUMN DOWELS/SLEEVE.
4. SLAB WILL BE CURED WITH A WATER-BASED DISSIPATIVE CURING COMPOUND AND WILL RECEIVE TWO COATS OF ASHFORD FORMULA FLOOR HARDENER.
5. SLAB ON GRADE WILL BE PRE-TREATED WITH TERMITICIDE.
6. 10-MIL CLASS 'A' VAPOR BARRIER TO BE PROVIDED BELOW THE SLAB ON GRADE THROUGHOUT. ALL SEAMS AND PENETRATIONS TO BE SEALED AND TAPED.
7. 6" THICK UNREINFORCED, 4000 PSI CONCRETE SLAB BEARING ON 6" GAB OR 10" SOIL CEMENT. VERIFY SUB-GRADE WITH GEOTECH REPORT. SLAB TO RECEIVE HARD TROWEL FINISH AND LASER SCREED SHALL BE UTILIZED TO ATTAIN MINIMUM LOCAL & OVERALL SLAB TOLERANCE OF FF-40/PL 30.
8. PROVIDE A ESFR SPRINKLER SYSTEM THROUGHOUT.
9. PROVIDE PORTABLE FIRE EXTINGUISHERS OF THE QUANTITY AND AT THE LOCATIONS AS INDICATED OR AS REQUIRED BY THE AUTHORITY HAVING JURISDICTION. EXTINGUISHERS SHALL BE EQUAL TO J.L. INDUSTRIES COSMIC 10E, 10 POUND, 4A-60BC. TO BE COORDINATED WITH OWNERS LAYOUT.
10. METAL ROOF DECK SHALL BE 1-1/2" TYP. 18" WIDE RIB DECKING SHOP PRIMED WHITE ON THE UNDERSIDE/INSIDE FACE - SEE STRUCTURAL DRAWINGS.
11. RACKING, FLOOR STORAGE AND EQUIPMENT BY OTHERS.
12. SEE ELEVATIONS FOR GLASS SCHEDULE.
13. ALL BOLLARDS TO BE PAINTED SAFETY YELLOW. (PROVIDE BOLLARDS AT ALL DRIVE-IN OVERHEAD DOOR JAMBS, FIRE PROTECTION RISERS, ELECTRICAL TRANSFORMERS AND EXPOSED ELECTRICAL PANELS).
14. ALL BOLLARDS SHALL BE 6" O.D. SCHEDULE 80 STEEL PIPE SET MINIMUM 2'-0" DEEP IN 2'-0" DIAMETER CONCRETE FOOTING WITH PIPE EXTENDED 4'-0" ABOVE PAVING OR FLOOR. FILL PIPE WITH CONCRETE AND CAP WITH PRECAST CONCRETE DOME TOP - FOOTING TO BE IN SONOTUBE.
15. ROOF ASSEMBLY: SINGLE PLY 45 MIL. WHITE TPO MEMBRANE SYSTEM MECHANICALLY FASTENED OVER R-15 ROOF INSULATION OVER 1-1/2" METAL DECK. 10-YEAR NDL WARRANTY. R-25 OVER OFFICE AREA.
16. ALL STAIRS AND RAILINGS TO BE GALVANIZED. ALL MISC. STEEL TO BE HD GALVANIZED FOR EXTERIOR APPLICATIONS. SHOP DE-BURR UNDERSIDE OF HANDRAILS. USE GALVANIZED PAINT TO TOUCH-UP FIELD WELDING AND SCRATCHES.
17. ALL SITE CAST CONCRETE PANEL WIDTHS ARE TO CENTERLINE OF CONCRETE PANEL VERTICAL JOINT U.N.O.
18. ALL TILT WALL PANELS SHALL BE CAULKED TO FULL HEIGHT, BOTH SIDES, WITH MASTERSEAL NP-2 POLYURETHANE SEALANT OR EQUAL WITH BACKER ROD BEHIND THE CAULK.
19. (EXTERIOR) ALL S.C.C.P. SHALL RECEIVE A TEXTURED ACRYLIC COATING SIMILAR TO SHERWIN WILLIAMS ULTRACRETE (MEDIUM TEXTURE) WITH ACCENT STRIPING. SEE ELEVATIONS.
20. (INTERIOR) ALL S.C.C.P. PANELS WILL BE HARD TROWEL FINISHED WITH CAPPED PICK AND BRACE POINTS. G.C. TO PROVIDE PRICING TO PAINT INTERIOR WALLS WITH ONE COAT OF LATEX PAINT - SW 7006 EXTRA WHITE.
21. PERSONNEL DOORS AND MISC. METALS SHALL RECEIVE ONE (1) PRIMER COAT AND ONE (1) FINISH COAT OF ENAMEL PROVIDE FIRE DEPARTMENT ACCESS SIGNAGE PER DETAIL 9/A.002 AT EACH PERSONNEL DOOR.
22. TEST AND CONFIRM COMPLIANCE WITH THE INTERNATIONAL FIRE CODE SECTION 510 FOR EMERGENCY RESPONDER RADIO COVERAGE. IF REQUIRED BY TEST, PROVIDE AND INSTALL AN APPROVED SYSTEM BY A FCC LICENSED RADIO CONTRACTOR.



1 OVERALL FLOOR PLAN
SCALE: 1" = 30'-0"



GLASS SCHEDULE

A	B	C
1" INSULATED INNER PANE 1/4" OUTER PANE 1/4" INNER PANE HEAT STRENGTHENED OUTER PANE HEAT STRENGTHENED FABRICATOR: GUARDIAN GLASS STYLE: SUNGUARD SN 88 COLOR: GRAY-CLEAR	1" INSULATED INNER PANE 1/4" OUTER PANE 1/4" INNER PANE TEMPERED OUTER PANE TEMPERED FABRICATOR: GUARDIAN GLASS STYLE: SUNGUARD SN 88 COLOR: GRAY-CLEAR	1" INSULATED INNER PANE 1/4" OUTER PANE 1/4" INNER PANE TEMPERED OUTER PANE TEMPERED FABRICATOR: GUARDIAN GLASS STYLE: SUNGUARD SN 88 WITH DECO HT COLOR: GRAY-CLEAR
COATINGS: Low-E ON #2 SURFACE	COATINGS: Low-E ON #2 SURFACE	COATINGS: Low-E ON #2 SURFACE WITH #4 SURFACE BLACK SPANDREL
U-VALUE: .29 SHGC: .25	U-VALUE: .29 SHGC: .25	U-VALUE: - SHGC: -

NOTE: PROJECTS LOCATED WITHIN A MILE OF THE COASTAL MEAN HIGH WATER LINE AND HAVE DESIGN WIND SPEEDS OVER 130 MPH ARE TO BE CONSIDERED WIND-BORNE DEBRIS REGIONS. PROVIDE IMPACT RATED GLASS IN WIND-BORNE DEBRIS REGIONS. G.C. TO CONFIRM.

EXTERIOR FINISH SCHEDULE

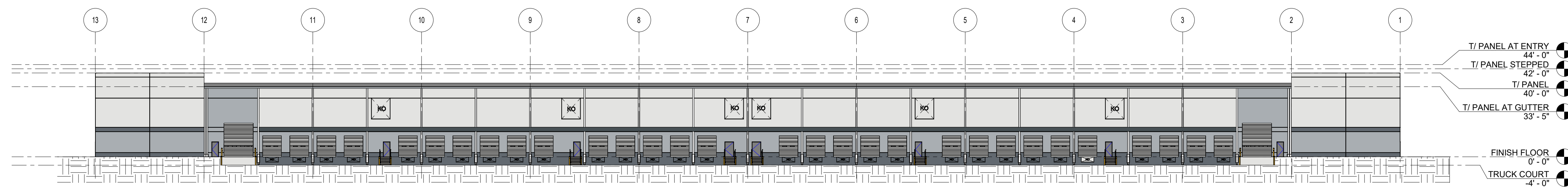
101	EXTERIOR TEXTURE COATING: PAINTED CONCRETE SHERWIN WILLIAMS ULTRACRETE OR EQUAL MEDIUM TEXTURE. COLOR: TBD	COLOR LEGEND SEE ELEVATION
102	EXTERIOR TEXTURE COATING: PAINTED CONCRETE SHERWIN WILLIAMS ULTRACRETE OR EQUAL MEDIUM TEXTURE. COLOR: TBD	COLOR LEGEND SEE ELEVATION
103	EXTERIOR TEXTURE COATING: PAINTED CONCRETE SHERWIN WILLIAMS ULTRACRETE OR EQUAL MEDIUM TEXTURE. COLOR: TBD	COLOR LEGEND SEE ELEVATION
104	PRE-FINISHED METAL GRAVEL STOP, GUTTER, COPING, AND DOWNSPOUTS COLOR: PAC-CLAD - TBD	
105	ALUMINUM STOREFRONT/CURTAIN WALL AS MANUFACTURED BY KAWNEER COLOR: CLEAR ANODIZED	
106	JOINT SEALER: ALUM. STOREFRONT TREMCO DYMERIC 240FC OR EQUAL COLOR: ANODIZED ALUMINUM	
107	JOINT SEALER: S.C.C.P. JOINTS MASTERSEAL NP-2 POLYURETHANE OR EQUAL COLOR: TBD	
108	EXPOSED METAL DOORS & FRAMES COLOR: PAINTED TO MATCH 102	
109	PRE-ENGINEERED METAL CANOPY COLOR: TBD	
110	PRE-ENGINEERED BULLNOSE CANOPY COLOR: PAC-CLAD - TBD	

GENERAL NOTES

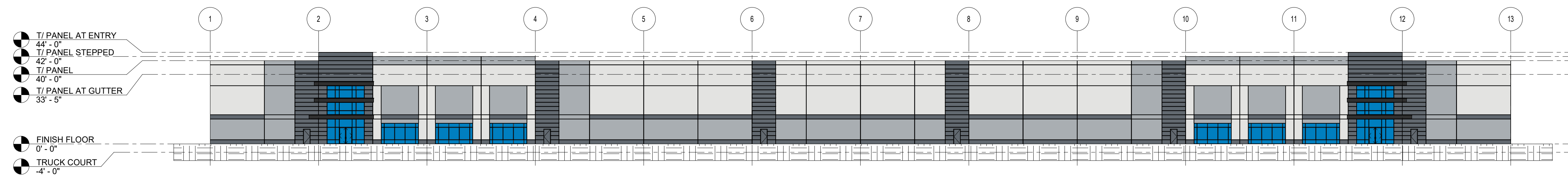
- ALL GLASS TO BE TYPE "A" U.N.O. ALL GLASS IN DOORS TO BE TEMPERED.
- ALL GLASS WITHIN 2' OF DOOR SWING TO BE TEMPERED.
- KAWNEER TRI-FAB 451 BASIS OF DESIGN FOR STOREFRONT.
- STOREFRONT SYSTEMS TO BE DESIGNED TO MEET ALL LOCAL AND DESIGN LOADS. SEE STRUCTURAL DRAWINGS FOR DESIGN LOAD REQUIREMENTS. EXTERIOR WALL PACKS ARE INCLUDED - SEE ELECTRICAL DRAWINGS FOR LOCATIONS.
- REVEALS SHALL WRAP EXPOSED PANEL EDGES AND EXPOSED BACK SIDES U.N.O.

KEYNOTES

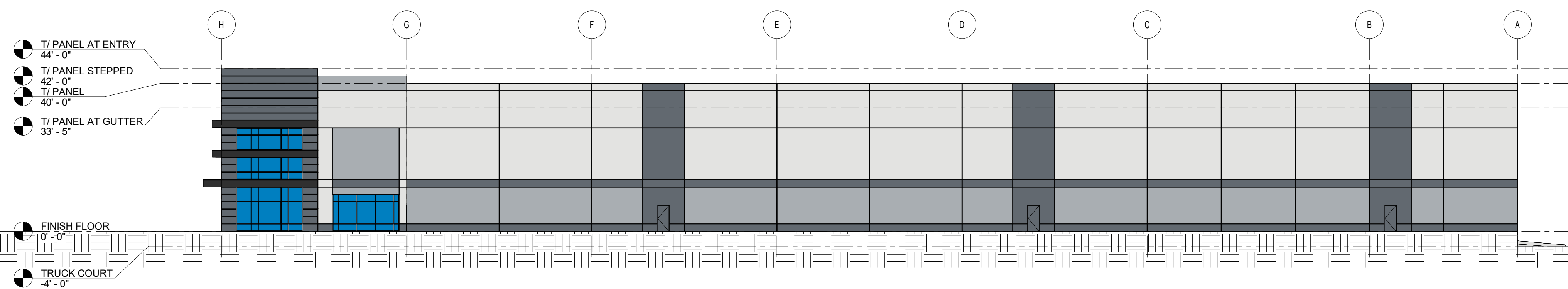
- E1 CONCRETE SERVICE RAMP, SEE 12/A-401
- E2 STAIR AND GUARDRAIL, TYP. SEE 6/A-401, 8/A-401, 10/A-401
- E3 DOCK BUMPER - SEE WALL SECTIONS
- E4 PIPE DOWNSPOUTS THRU RAMP TO TRUCK COURT. PROVIDE BIRD SCREEN AT RAMP WALL
- E5 LOUVER - SEE MECHANICAL DRAWINGS
- E6 LED WALL PACK - SEE ELECTRICAL DRAWINGS



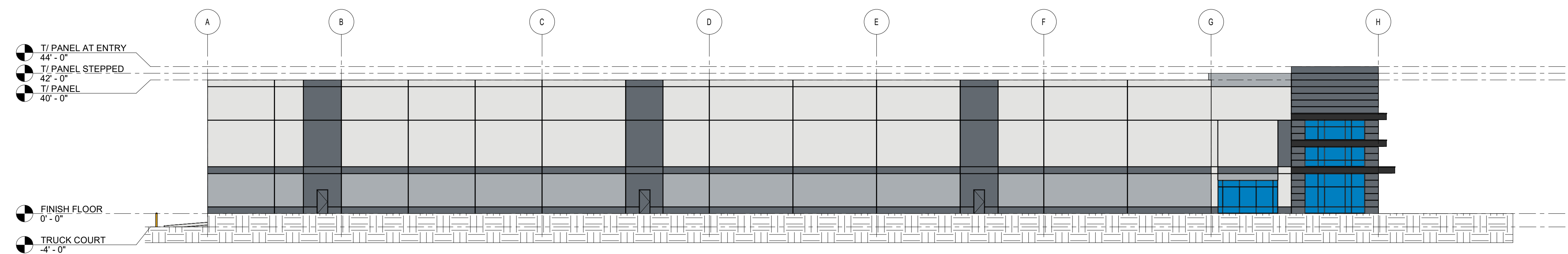
1 OVERALL NORTH ELEVATION
SCALE: 1" = 30'-0"



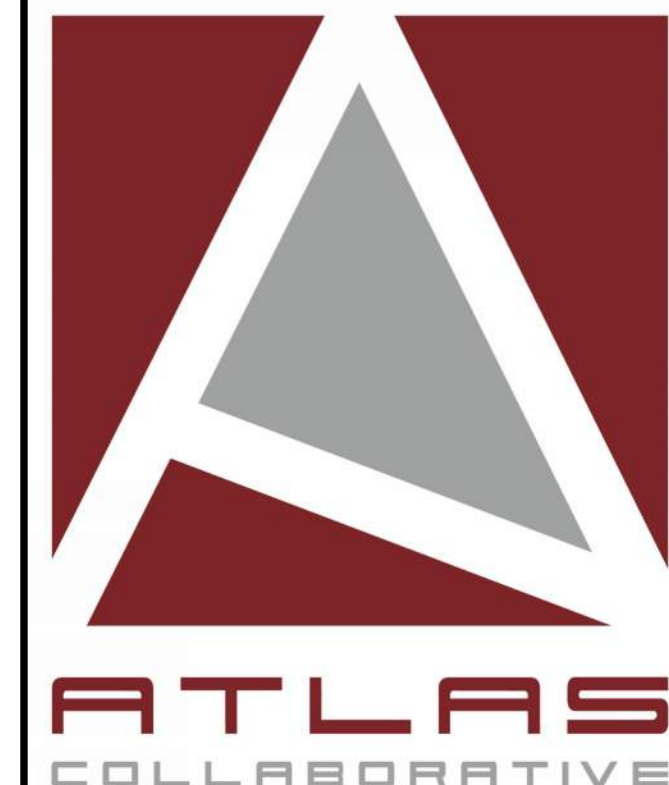
2 OVERALL SOUTH ELEVATION
SCALE: 1" = 30'-0"



3 OVERALL EAST ELEVATION
SCALE: 1" = 20'-0"



4 OVERALL WEST ELEVATION
SCALE: 1" = 20'-0"



PINEVILLE DC - LOT 4

PINEVILLE, NC

©2023, Atlas Collaborative LLC. These drawings are protected by the copyright laws of the United States. These drawings or any part thereof may not be used for any purpose or reproduced in any form or by any means without the written consent of Atlas Collaborative, LLC.

Print Record
09 DECEMBER 2024 DESIGN REVIEW

Revisions

Issue Date: 12/09/2024 Job No: pineville-104
Sheet Title

EXTERIOR ELEVATIONS

Sheet No.

A-201

NOT ISSUED FOR CONSTRUCTION