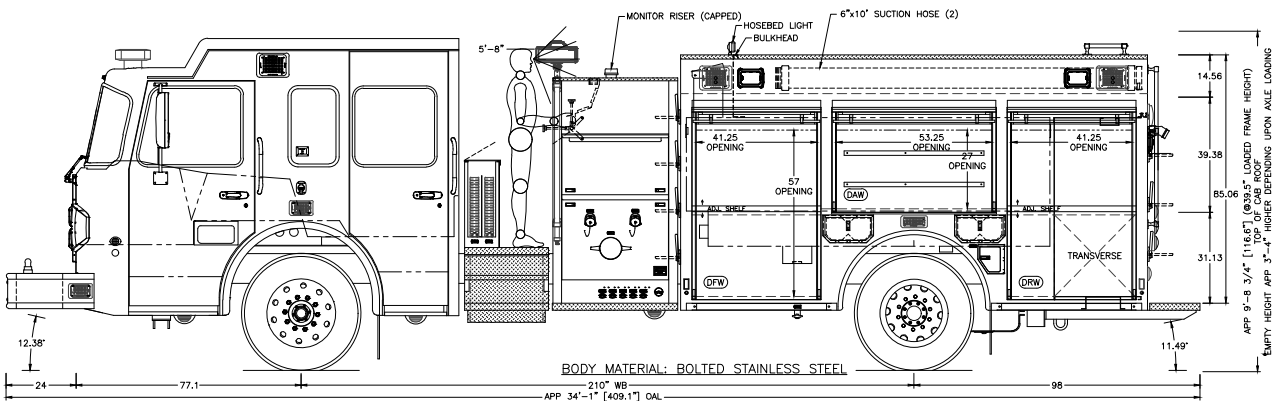
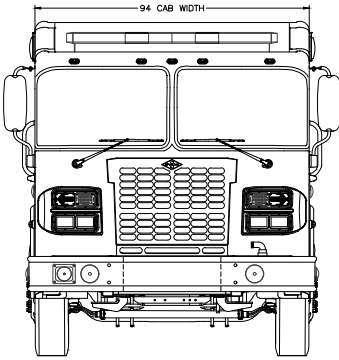
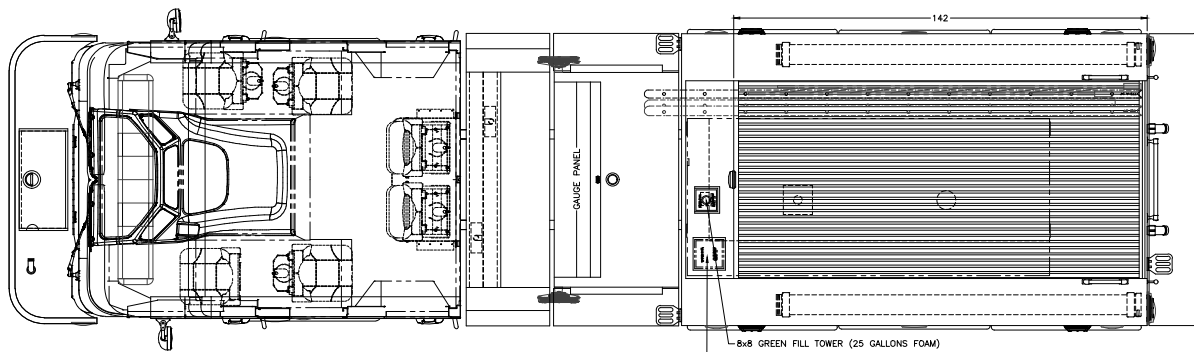


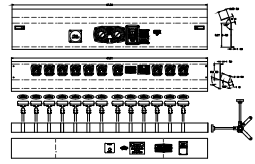
TREADBRITE TEXTURE NOT SHOWN IN TOP VIEW

REFERENCE SCALE IN INCHES

COMP.	HEIGHT	WIDTH	USABLE UPPER	DEPTH LOWER	DIVIDE HEIGHT	FT
DRW	67.12	47.88	14	26	28	35.35
DAW	37.12	63.75	14	—	—	19.18
DRW	67.12	44.00	14	26	28	32.49
PFW	67.12	47.88	14	26	28	35.35
PAW	37.12	63.75	14	—	—	19.18
PRW	67.12	44.00	14	26	28	32.49
R-1	61.12	44.00	—	30	—	46.68
HOSEBED	19	68	—	142	—	106.12
FRONT XRAY	25.75	4.62	—	73.75	—	5.08
REAR XRAY	25.75	4.62	—	73.75	—	5.08



**NOTE:**  
DIMENSIONS SHOWN ARE APPROXIMATE AND ARE SUBJECT TO MINOR CHANGE AS MAY BE FOUND NECESSARY DURING CONSTRUCTION. MINOR DETAILS MAY NOT BE SHOWN. IF DISCREPANCIES EXIST BETWEEN THIS DRAWING AND THE WRITTEN SPECIFICATIONS PROVIDED BY TOYNE, THE WRITTEN SPECIFICATIONS SHALL PREVAIL.



ORIGINAL DRAWING	01AUG18	CHASSIS:	SPARTAN METROSTAR MFD 10" RR	SCALE:	1/66	SHEET:	A
AS BUILT - AJJ	30NOV18	WB-CA-AF:	210"-156"-47" D17	CITY:	?		
		BODY MATL:	BOLTED STAINLESS STEEL	STATE:	?		
		PUMP:	HALE QMAX 1500	DLR:	?		
		TANK:	1000/25 UPF POLY-TANK III	CAD:	KOSTER		
		FOAM SYSTEM:	PRE-PIPED	DATE:	01 AUGUST 2018		
		GENERATOR:	N/A	FILE:	12403DEMOTM-A		

**Toyne**  
*Built to take the call*

BREDA, IA 51436  
800-648-3358  
WWW.TOYNE.COM

**12559 TM DEMO**  
CUSTOM PUMPER