

# Quotation 87277, TID# 12559 TM 1500/1000

Description

## VEHICLE

---

0100-011	<b>MODEL</b>	Metro Star
8012-019	<b>CUSTOMERS / OEMS</b>	Toyne (TOY1000)[1002914]
8011-019	<b>MODEL YEAR</b>	Model Year - 2019
8001-001	<b>COUNTRY OF SERVICE</b>	Country of Service United States Of America
8017-001	<b>CAB AND CHASSIS LABELING LANGUAGE</b>	Cab and Chassis Labeling Language English
8006-009	<b>APPARATUS TYPE</b>	Apparatus Type Pumper
8008-001	<b>VEHICLE TYPE</b>	Vehicle Type Straight Truck
8008A-000	<b>VEHICLE ANGLE OF APPROACH PACKAGE</b>	Vehicle Angle of Approach NFPA Minimum 8.00 Degrees
0104-001	<b>AXLE CONFIGURATION</b>	Axle Configuration 4x2 (Rear Axle Drive Only)
0101-003	<b>GROSS AXLE WEIGHT RATINGS FRONT</b>	GAWR Front 20000#
0102-004	<b>GROSS AXLE WEIGHT RATINGS REAR</b>	GAWR Rear 27000#
8010-201	<b>PUMP PROVISION</b>	Pump Provision Driveline Midship, Pump Mode Prog w/Auto Park Brake "N"
8009-013	<b>WATER &amp; FOAM TANK CAPACITY</b>	Water & Foam Tank Capacity 750 to 1250 Gallons

## CAB

---

1000-004	<b>CAB STYLE</b>	Cab Style MFD 10" Raised Roof
8101-105	<b>OCCUPANT PROTECTION</b>	Occupant Protection Advanced Protection System
1501-002	<b>CAB FRONT FASCIA</b>	Cab Frt Fascia Classic
1518-025	<b>FRONT GRILLE</b>	Cab Frt Grille Hinged Classic Styled
1551-002	<b>CAB UNDERCOAT</b>	Cab Undercoat
1552-002	<b>CAB SIDE DRIP RAIL</b>	Cab Side Drip Rail
1521-001	<b>CAB PAINT EXTERIOR</b>	Cab Paint Exterior Single Color
1533-001	<b>CAB PAINT MANUFACTURER</b>	Cab Paint Manufacturer PPG
1522-086	<b>CAB PAINT PRIMARY/LOWER COLOR</b>	Cab Paint Primary/Lower Color PPG Red FBCH 71663
8013-042	<b>CAB PAINT WARRANTY</b>	Cab Paint Warranty 2019 (10) Year/100,000 Miles
1334-039	<b>CAB PAINT INTERIOR</b>	Cab Paint Int Multi-tone Onyx Blk
1005-001	<b>CAB ENTRY DOORS</b>	Cab Entry Doors (4)
1101-101	<b>CAB ENTRY DOOR TYPE</b>	Cab Entry Door Type Full Length w/Pollak Switches
1322-002	<b>CAB INSULATION</b>	Cab Insulation
8004-026	<b>CAB STRUCTURAL WARRANTY</b>	Cab Structural Warranty 2019 (10) Year/100,000 Miles
9001-006	<b>CAB TEST INFORMATION</b>	Cab Test Information Crash Test ECE-R29/SAE J2420/SAE J2422

## ELECTRICAL POWER DISTRIBUTION

---

5000-018	<b>ELECTRICAL SYSTEM</b>	Elec System 12V DC Multiplex
5005-214	<b>MULTIPLEX DISPLAY</b>	MUX Display Weldon VFD Display
5004-002	<b>LOAD MANAGEMENT SYSTEM</b>	Load Management System Multiplex
5622-003	<b>DATA RECORDING SYSTEM</b>	Data Recording Sys Vehicle Data Weldon MUX

5031-007	<b>ACCESSORY POWER</b>	Accessory Pwr & Gnd Stud 40A Batt Dir & 15A Ign Sw & 200A Mstr Sw w/Fus OEM Conn
5030-066	<b>AUXILIARY ACCESSORY POWER</b>	Aux Acc Pwr & Gnd Stud Bhd Sw Pnl 60A Mstr Sw
5011-001	<b>EXTERIOR ELECTRICAL TERMINAL COATING</b>	Exterior Electrical Terminal Coating Spray On Plasti Dip

## **ENGINE**

---

1701-156	<b>ENGINE</b>	Engine Diesel 380HP Cummins L9 - EPA 2017
1329-001	<b>CAB ENGINE TUNNEL</b>	Cab Engine Tunnel Small/Medium
1731-002	<b>DIESEL PARTICULATE FILTER CONTROLS</b>	DPF Ctrl Regeneration Sw & Inhibit Sw
1718-002	<b>ENGINE PROGRAMMING HIGH IDLE SPEED</b>	Engine Programming High Idle Speed 1250 RPM
1719-004	<b>ENGINE HIGH IDLE CONTROL</b>	Engine High Idle Ctrl Manual and Automatic
1710-001	<b>ENGINE PROGRAMMING ROAD SPEED GOVERNOR</b>	Engine Programming Road Speed Governor Enabled
1713-005	<b>AUXILIARY ENGINE BRAKE</b>	Aux Engine Brake VG Turbo
1708-002	<b>AUXILIARY ENGINE BRAKE CONTROL</b>	Aux Engine Brake Ctrl On/Off Sw Pnl
1720-003	<b>ELECTRONIC ENGINE OIL LEVEL INDICATOR</b>	Elec Engine Oil Level Indicator
1715-001	<b>FLUID FILLS</b>	Fluid Fills Fwd For Med Displacement Cap
1735-001	<b>ENGINE DRAIN PLUG</b>	Engine Drain Plug
8002-001	<b>ENGINE WARRANTY</b>	Engine Warranty Cummins (5) Year/100,000 Miles
1707-121	<b>REMOTE THROTTLE HARNESS</b>	Rmt Throttle Harness PSG FRC Pump Boss Top Mnt Shift Interlock
1721-001	<b>ENGINE PROGRAMMING REMOTE THROTTLE</b>	Engine Program Rmt Throttle Off
1727-001	<b>ENGINE PROGRAMMING IDLE SPEED</b>	Engine Programming Idle Speed 700 RPM

## **AIR INTAKE**

---

2801-009	<b>ENGINE AIR INTAKE</b>	Engine Air Intake Filtration and Restriction w/SS Housing & Replaceable Element
2802-003	<b>AIR INTAKE PROTECTION</b>	Air Intake Protection Light Duty Skid Plate Painted Frame Color

## **COOLING**

---

2704-003	<b>ENGINE FAN DRIVE</b>	Engine Fan Drive Clutch Engaged in Pump Mode
2701-019	<b>ENGINE COOLING SYSTEM</b>	Engine Cooling Sys Serial Flow Medium/Package Drop-Out Prov/Rwd Sight Glass
2711-005	<b>ENGINE COOLING SYSTEM PROTECTION</b>	Engine Cooling System Protection Light Duty Skid Plate Paint Frame Color
2708-001	<b>ENGINE COOLANT</b>	Engine Coolant Extended Life
2706-003	<b>ELECTRONIC COOLANT LEVEL INDICATOR</b>	Elec Low Coolant Level Indicator
2705-002	<b>ENGINE PUMP HEAT EXCHANGER</b>	Engine Pump Heat Exchanger
2709-001	<b>COOLANT HOSES</b>	Coolant Hoses Silicone

## **EXHAUST**

---

2901-068	<b>ENGINE EXHAUST SYSTEM</b>	Eng Exhaust Sys Under Frm RH Single Module Aftertreatment Inboard
----------	------------------------------	---

2907-003	<b>DIESEL EXHAUST FLUID TANK</b>	Diesel Exhaust Fluid Tank LH 6 Gal Fill Thru Rr Step
2902-010	<b>ENGINE EXHAUST ACCESSORIES</b>	Engine Exhaust Acc Temp Mitigation
2906-002	<b>ENGINE EXHAUST WRAP</b>	Engine Exhaust Wrap

## **TRANSMISSION**

---

1801-015	<b>TRANSMISSION</b>	Transmission Allison 3000 EVS
1806-004	<b>TRANSMISSION MODE PROGRAMMING</b>	Transmission Mode Programming 6th Startup/6th Mode
1811-004	<b>TRANSMISSION FEATURE PROGRAMMING</b>	Transmission Feature Programming Allison Gen V-E I/O Package 198/Pumper
1807-005	<b>TRANSMISSION SHIFT SELECTOR</b>	Transmission GEN V-E Shift Sel Key Pad/Push Button
1815-002	<b>ELECTRONIC TRANSMISSION OIL LEVEL INDICATOR</b>	Elec Transmission Oil Level Indicator
1814-002	<b>TRANSMISSION PRE-SELECT WITH AUXILIARY BRAKE</b>	2nd Gear Pre-Select
1808-007	<b>TRANSMISSION COOLING SYSTEM</b>	Transmission Cooling System
1817-001	<b>TRANSMISSION DRAIN PLUG</b>	Transmission Drain Plug
8005-001	<b>TRANSMISSION WARRANTY</b>	Transmission Warranty Allison (5) Year

## **POWER TAKE OFF**

---

2005-009	<b>PTO LOCATION</b>	PTO Location 8:00/4:00
----------	---------------------	------------------------

## **DRIVELINE**

---

3001-014	<b>DRIVELINE</b>	Driveline MSI 1710 w/Meritor U-Joints w/Thrust Washers
3005-061	<b>MIDSHIP PUMP / GEARBOX</b>	Midship Pump Jackshaft w/Toyne Module Holes
3008-054	<b>MIDSHIP PUMP / GEARBOX MODEL</b>	Midship Pump/Gearbox Model Hale QMAX
3048-005	<b>MIDSHIP PUMP GEARBOX DROP</b>	Midship Driveline Pump Gearbox Drop Hale "X"
3009-024	<b>MIDSHIP PUMP RATIO</b>	Midship Pump Ratio 2.32:1 (23)
3010-1040	<b>MIDSHIP PUMP LOCATION C/L SUCTION TO C/L REAR AXLE</b>	Midship Pump Location C/L Suction to C/L Rear Axle 104.0"

## **FUEL SYSTEMS**

---

3109-060	<b>FUEL FILTER/WATER SEPARATOR</b>	Fuel Filter/Wtr Separator Fleetguard FS1098 w/Lt & Alarm
3111-001	<b>FUEL LINES</b>	Fuel Lines Nylon
3103-008	<b>ELECTRIC FUEL PRIMER</b>	Electric Fuel Primer Engine Sply Electric Lift Pump
3101-101	<b>FUEL TANK</b>	Fuel Tank 50 Gallon
3130-001	<b>FUEL TANK MATERIAL AND FINISH</b>	Fuel Tank Material Steel & Finish Painted Frame Components Color
3131-001	<b>FUEL TANK STRAP MATERIAL AND FINISH</b>	Fuel Tank Strap Material Steel & Finish Painted Frame Components Color
3102-007	<b>FUEL TANK FILL PORT</b>	Fuel Tank Fill Port LH Rwd/RH Mid
3115-002	<b>FUEL TANK DRAIN PLUG</b>	Fuel Tank Drain Plug Magnetic

## **FRONT AXLE**

---

2401-003	<b>FRONT AXLE</b>	Frt Axle Meritor MFS 20000# Beam
8059-015	<b>FRONT AXLE WARRANTY</b>	Front Axle Warranty Meritor 2019
2405-001	<b>FRONT WHEEL BEARING LUBRICATION</b>	Frt Wheel Bearing Lube Oil

## FRONT SUSPENSION

---

2502-002	<b>FRONT SHOCK ABSORBERS</b>	Frt Shock Absorbers Bilstein
2501-016	<b>FRONT SUSPENSION</b>	Frt Suspension 10 Leaf 20000-21500#

## STEERING

---

2601-006	<b>STEERING COLUMN/WHEEL</b>	Steering Column/Wheel Tilt/Telescopic 18" 4 Spoke
2609-002	<b>ELECTRONIC POWER STEERING FLUID LEVEL INDICATOR</b>	Elec Power Steering Fluid Level Indicator
2603-011	<b>POWER STEERING PUMP</b>	Power Steering Pump TRW w/Passive Cooler
2606-009	<b>FRONT AXLE CRAMP ANGLE</b>	Front Axle Cramp Angle 48L/44R Degrees
2610-003	<b>POWER STEERING GEAR</b>	Power Steering Gear TRW TAS 65 w/Assist
2608-001	<b>CHASSIS ALIGNMENT</b>	Chassis Alignment

## REAR AXLE

---

3401-003	<b>REAR AXLE</b>	Rear Axle 27000# Meritor RS-25-160
3403-001	<b>REAR AXLE DIFFERENTIAL LUBRICATION</b>	Rear Axle Differential Lubrication Oil
8061-012	<b>REAR AXLE WARRANTY</b>	Rear Axle Warranty Meritor 2019
3411-001	<b>REAR WHEEL BEARING LUBRICATION</b>	Rear Wheel Bearing Lubrication Oil
3408-008	<b>VEHICLE TOP SPEED</b>	Vehicle Top Speed 68 MPH

## REAR SUSPENSION

---

3501-032	<b>REAR SUSPENSION</b>	Rear Susp Reyco 79KB Spring 21000-31500# Conventional
----------	------------------------	---

## TIRES

---

3601-038	<b>FRONT TIRE</b>	Frt Tire 315/80R 22.5 Goodyear G289 WHA
3602-043	<b>REAR TIRE</b>	Rear Tire 12R 22.5 Goodyear G622 RSD
3413-538	<b>REAR AXLE RATIO</b>	Rear Axle Ratio 5.38
3614-030	<b>TIRE PRESSURE INDICATOR</b>	Tire Pressure Ind Frt & Rr LED

## WHEELS

---

3701-010	<b>FRONT WHEEL</b>	Frt Wheel Accuride 22.5 x 9.00 Alum
3703-004	<b>REAR WHEEL</b>	Rr Whl Accuride 22.5 x 8.25 Alum
3702-002	<b>WHEEL TRIM</b>	Wheel Trim Hub & Nut Covers SS Shiploose

## BRAKES

---

3205-012	<b>BRAKE SYSTEM</b>	Brake System ABS/ATC/ESC Sgl Axle
3206-001	<b>FRONT BRAKES</b>	Frt Brakes S-Cam Drum 16.5" x 6"
3207-005	<b>REAR BRAKES</b>	Rr Brakes S-Cam Drum 16.5" x 7" Cast Iron Shoe
3208-001	<b>PARK BRAKE</b>	Prk Brake Rr Wheels Only
3204-003	<b>PARK BRAKE CONTROL</b>	Prk Brake Ctrl Ctr Dash Mnt
3213-001	<b>FRONT BRAKE SLACK ADJUSTERS</b>	Frt Brake Slack Adjusters Meritor
3214-001	<b>REAR BRAKE SLACK ADJUSTERS</b>	Rr Brake Slack Adjusters Meritor

3202-005	<b>AIR DRYER</b>	Air Dryer Wabco System Saver 1200 Bhd LH Batt Box
3215-001	<b>FRONT BRAKE CHAMBERS</b>	Frt Brake Chambers MGM Type 30
3210-015	<b>REAR BRAKE CHAMBERS</b>	Rr Brake Chambers TSE 30/36 Long Stroke

## **AIR SUPPLY SYSTEMS**

---

3320-001	<b>AIR COMPRESSOR</b>	Air Compressor Wabco SS318 18.7 CFM
3339-004	<b>AIR GOVERNOR</b>	Air Governor Mnt on Air Dryer Bracket
3303-006	<b>MOISTURE EJECTORS</b>	Moisture Ejectors Manual/Auto Wet Tank
3307-001	<b>AIR SUPPLY LINES</b>	Air Sply Lines Nylon
3334-002	<b>AIR TANK SPACERS</b>	Air Tank Spacers Inboard 1.5"

## **FRAME**

---

2103-2100	<b>WHEELBASE</b>	Wheelbase 210.0"
2106-0470	<b>REAR OVERHANG</b>	Rear Overhang 47.0"
2101-002	<b>FRAME</b>	Frame Double Channel 35.00" Width
8007-024	<b>FRAME WARRANTY</b>	Frame Warranty Lifetime 2019
2111-096	<b>MISC FRAME OPTIONS</b>	Misc Frame Options Toyne Pumper Body Mnt Hole Pattern #1
2117-028	<b>FRAME CLEAR AREA</b>	Frame Clear Area Inside LH Rail 34" To 46" Fwd From C/L of R/A
2110-201	<b>FRAME PAINT</b>	Frame Paint Hot Dipped Galvanized - Frame Only Addl Comp Blk Powder Coat

## **BUMPER**

---

2201-001	<b>FRONT BUMPER</b>	Frt Bumper Stainless Steel Flat
2202-001	<b>FRONT BUMPER EXTENSION LENGTH</b>	Frt Bumper Extension Length 6"
2208-002	<b>FRONT BUMPER APRON</b>	Frt Bumper Apron For 6" Extension
5501-020	<b>AIR HORN</b>	Air Horn (2) 21" Round Hadley E-Tone
2216-010	<b>AIR HORN LOCATION</b>	Air Horn Location (2) Frt Bmpr Face R/L IB
2232-002	<b>AIR HORN RESERVOIR</b>	Air Horn Reservoir (1) 1200 Cu In
5504-060	<b>ELECTRONIC SIREN SPEAKER</b>	Elect Siren Speaker 100W Federal Signal Dynamax w/EF Grille
2217-005	<b>ELECTRONIC SIREN SPEAKER LOCATION</b>	Elec Siren Speaker Location Frt Bmpr Face RH OB
2203-010	<b>FRONT BUMPER TOW HOOKS</b>	Frt Bumper Tow Hooks Chrome Side Fwd

## **CAB TILT**

---

2301-001	<b>CAB TILT SYSTEM</b>	Cab Tilt System
2305-001	<b>CAB TILT CONTROL RECEPTACLE</b>	Cab Tilt Ctrl Receptacle Temp
2306-002	<b>CAB TILT LOCK DOWN INDICATOR</b>	Cab Tilt Lock Down Indicator

## **CAB GLASS**

---

1401-009	<b>CAB WINDSHIELD</b>	Cab Windshield
1402-005	<b>GLASS FRONT DOOR</b>	Glass Frt Dr Roll Down/XDuty Regulator
1407-001	<b>GLASS TINT FRONT DOOR</b>	Glass Tint Frt Dr Automotive Green
1419-012	<b>GLASS REAR DOOR RIGHT HAND</b>	Glass Rr Dr RH Roll Down/XDuty Regulator
1430-001	<b>GLASS TINT REAR DOOR RIGHT HAND</b>	Glass Tint Rr Door RH Automotive Green

1412-013	<b>GLASS REAR DOOR LEFT HAND</b>	Glass Rr Dr LH Roll Down/XDuty Regulator
1431-001	<b>GLASS TINT REAR DOOR LEFT HAND</b>	Glass Tint Rr Door LH Automotive Green
1410-003	<b>GLASS SIDE MID RIGHT HAND</b>	Glass Side Mid RH Fxd 16"W x 26"H
1432-001	<b>GLASS TINT SIDE MID RIGHT HAND</b>	Glass Tint Side Mid RH Automotive Green
1409-003	<b>GLASS SIDE MID LEFT HAND</b>	Glass Side Mid LH Fxd 16"W x 26"H
1433-001	<b>GLASS TINT SIDE MID LEFT HAND</b>	Glass Tint Side Mid LH Automotive Green

## **CLIMATE CONTROL**

---

1614-101	<b>CLIMATE CONTROL</b>	Climate Ctrl Htr Defroster Frt Ovrhd/Htr A/C Tunnel Mnt
1632-002	<b>CLIMATE CONTROL DRAIN</b>	Climate Control Drain Gravity
1617-101	<b>CLIMATE CONTROL ACTIVATION</b>	Climate Ctrl Actv Device Mnt Ovrhd/Device Mnt Tunnel
1603-003	<b>A/C CONDENSER LOCATION</b>	A/C Condenser Location Roof Mnt Fwd Ctr
1601-001	<b>A/C COMPRESSOR</b>	A/C Compressor Large Capacity
1530-001	<b>UNDER CAB INSULATION</b>	Under Cab Insulation Engine Tunnel Barymat

## **CAB INTERIOR**

---

1327-001	<b>INTERIOR TRIM FLOOR</b>	Interior Trim Floor
1302-001	<b>INTERIOR TRIM</b>	Interior Trim Vinyl
1368-003	<b>REAR WALL INTERIOR TRIM</b>	Rear Wall Interior Trim Painted Aluminum
1306-001	<b>HEADER TRIM</b>	Header Trim ABS
1305-001	<b>TRIM CENTER DASH</b>	Trim Center Dash ABS
1339-101	<b>TRIM LEFT HAND DASH</b>	Trim LH Dash ABS
1321-001	<b>TRIM RIGHT HAND DASH</b>	Trim RH Dash ABS Glove Cmpt/MDT Prov
1307-002	<b>ENGINE TUNNEL TRIM</b>	Eng Tnl Trim Flr Mat
5040-101	<b>POWER POINT DASH MOUNT</b>	Pwr Pnt Dash Mnt Batt Dir (1) Sw Pnl/(2) Dual USB Blue Sea 2.1A Sw Pnl
1303-017	<b>STEP TRIM</b>	Step Trim Grip Strut Lwr Flex-Tred Mid
1379-003	<b>UNDER CAB ACCESS DOOR</b>	Under Cab Access Door Rear Step LH Painted
1102-013	<b>INTERIOR DOOR TRIM</b>	Interior Door Trim Painted
1323-001	<b>DOOR TRIM CUSTOMER NAMEPLATE</b>	Door Trim Customer Nameplate
1105-001	<b>CAB DOOR TRIM REFLECTIVE</b>	Cab Dr Trim Reflective Vert Stripe/6" Chevron w/Logo
1308-001	<b>INTERIOR GRAB HANDLE "A" PILLAR</b>	Interior Grab Handle 'A' Pillar 11" Molded
1332-008	<b>INTERIOR GRAB HANDLE FRONT DOOR</b>	Interior Grab Handle Frt Door Horiz 9"
1345-002	<b>INTERIOR GRAB HANDLE REAR DOOR</b>	Int Grab Handle Rr Dr Alum Window Span 30" Black Powder Coat
1301-003	<b>INTERIOR SOFT TRIM COLOR</b>	Interior Soft Trim Color Gray
1337-001	<b>INTERIOR TRIM SUNVISOR</b>	Interior Trim Sunvisor Vinyl
1318-003	<b>INTERIOR ABS TRIM COLOR</b>	Interior ABS Trim Color Gray
1304-001	<b>INTERIOR FLOOR MAT COLOR</b>	Interior Floor Mat Color Gray
1335-018	<b>CAB PAINT INTERIOR DOOR TRIM</b>	Cab Paint Int Dr Trim Multi-tone Onyx Black
1369-018	<b>REAR WALL INTERIOR PAINT</b>	Rear Wall Interior Paint Multi-tone Onyx Black
1344-002	<b>DASH PANEL GROUP</b>	Dash Pnl Group 3-Pnl
1312-005	<b>SWITCHES CENTER PANEL</b>	Switches Ctr Pnl 12 Upr
1313-028	<b>SWITCHES LEFT PANEL</b>	Switches Left Pnl 10 (6+4) w/Headlight/Dimmer/Wiper
1314-001	<b>SWITCHES RIGHT PANEL</b>	Switches Right Pnl 0

## **CAB SEATS**

---

1225-018	<b>SEAT BELT WARNING</b>	Seat Belt Warn Indv Seat Loc & LED Display w/VDR Weldon
1237-005	<b>SEAT MATERIAL</b>	Seat Material Durawear Plus
1243-003	<b>SEAT COLOR</b>	Seat Color Black/Red Seat Belts
1249-126	<b>SEAT BACK LOGO</b>	Seat Back Logo Toyne
1201-033	<b>SEAT DRIVER</b>	Seat Driver Bostrom Firefighter 8-Way Elect 500 Series ABTS
1213-025	<b>SEAT BACK DRIVER</b>	Seat Back Driver Non-SCBA ABTS
1219-001	<b>SEAT MOUNTING DRIVER</b>	Seat Mounting Driver
8102-103	<b>OCCUPANT PROTECTION DRIVER</b>	Occupant Protection Driver Advanced Protection System
1202-037	<b>SEAT OFFICER</b>	Seat Officer Bostrom Firefighter Fixed 500 Series ABTS
1214-030	<b>SEAT BACK OFFICER</b>	Seat Back Officer SCBA Bostrom SecureAll w/Quick-Adjust
1220-002	<b>SEAT MOUNTING OFFICER</b>	Seat Mounting Officer
8103-103	<b>OCCUPANT PROTECTION OFFICER</b>	Occupant Protection Officer Advanced Protection System
1297-002	<b>POWER SEAT WIRING</b>	Power Seats Wiring Battery Direct
1273-001	<b>SEAT BELT ORIENTATION CREW</b>	Seat Belt Orientation Crew Outboard Shoulder To Inboard Hip
1263-001	<b>SEAT REAR FACING OUTER LOCATION</b>	Seat RFO Location (2) R/L
1203-020	<b>SEAT CREW REAR FACING OUTER</b>	Seat Crew RFO Bostrom Firefighter Fixed 500 Series
1215-027	<b>SEAT BACK REAR FACING OUTER</b>	Seat Back RFO SCBA Bostrom SecureAll w/Quick-Adjust
1221-009	<b>SEAT MOUNTING REAR FACING OUTER</b>	Seat Mounting RFO Rwd 2"
8104-103	<b>OCCUPANT PROTECTION RFO</b>	Occupant Protection RFO Advanced Protection System
1266-001	<b>SEAT FORWARD FACING CENTER LOCATION</b>	Seat FFC Location (2) Ctr
1206-031	<b>SEAT CREW FORWARD FACING CENTER</b>	Seat Crew FFC Bostrom Firefighter Fold & Hold Flip-Up 500 Series
1218-031	<b>SEAT BACK FORWARD FACING CENTER</b>	Seat Back FFC SCBA Bostrom SecureAll w/Quick-Adjust
8107-102	<b>OCCUPANT PROTECTION FFC</b>	Occupant Protection FFC Advanced Protection System
1269-101	<b>SEAT FRAME FORWARD FACING</b>	Seat Frm Fwd Fcg Dual
1281-101	<b>SEAT FRAME FORWARD FACING STORAGE ACCESS</b>	Seat Frm Fwd Fcg Strg Acc Dr (2) R/L Sd
1224-002	<b>SEAT MOUNTING FORWARD FACING CENTER</b>	Seat Mounting Forward Facing Center
1311-101	<b>CAB FRONT UNDERSEAT STORAGE ACCESS DOOR</b>	Cab Frt Undrst Strg Acc Dr
1355-023	<b>SEAT COMPARTMENT DOOR FINISH</b>	Seat Compartment Door Finish Multi-tone Onyx Black

## **CAB EXTERIOR**

---

1511-100	<b>WINDSHIELD WIPER SYSTEM</b>	Windshield Wiper System
1534-002	<b>ELECTRONIC WINDSHIELD FLUID LEVEL INDICATOR</b>	Electronic Windshield Fluid Level Indicator
1103-002	<b>CAB DOOR HARDWARE</b>	Cab Door Hardware Black
1111-001	<b>DOOR LOCKS</b>	Door Locks Manual
1503-002	<b>GRAB HANDLES</b>	Grab Handles SS 18"
1504-014	<b>REARVIEW MIRRORS</b>	Mirror Aerodynamic Retractable 613305 Rmt Htd
1529-004	<b>REARVIEW MIRROR HEAT SWITCH</b>	Rearview Mirror Heat Sw Mirror Ctrl Pnl
1507-002	<b>TRIM REAR WALL EXTERIOR</b>	Trim Rear Wall Exterior Treadplate
1513-002	<b>CAB FENDER</b>	Cab Fender Alum

1514-002	<b>MUD FLAPS FRONT</b>	Mud Flaps Frt
1526-027	<b>CAB EXTERIOR FRONT &amp; SIDE EMBLEMS</b>	Cab Ext Frt & Side Emblems Spartan w/APS

## **START / CHARGING SYSTEMS**

---

5109-001	<b>IGNITION</b>	Ign Mstr Sw w/Keyless Start
5101-017	<b>BATTERY</b>	Batt (6) Group 31 Napa 7236
5106-003	<b>BATTERY TRAY</b>	Batt Tray (2) R/L Steel
5107-007	<b>BATTERY BOX COVER</b>	Batt Box Cover (2) Steel w/Black Handles
5102-001	<b>BATTERY CABLE</b>	Batt Cables
5108-010	<b>BATTERY JUMPER STUD</b>	Batt Jumper Stud Frt LH Lwr Step 8" Apart
5104-001	<b>ALTERNATOR</b>	Alternator Leece-Neville 270A
5105-001	<b>STARTER MOTOR</b>	Starter Motor Delco

## **LINE VOLTAGE ELECTRICAL POWER DISTRIBUTION**

---

5202-075	<b>BATTERY CONDITIONER</b>	Batt Cond Kussmaul Auto Charge 40 LPC LH RFO Seat Position
5203-002	<b>BATTERY CONDITIONER DISPLAY</b>	Batt Cond Display LH Mid Glass
3314-006	<b>AUXILIARY AIR COMPRESSOR</b>	Aux Air Cmp Kussmaul Auto Pump 120V Bhd Off Seat Mnt Horiz
5209-002	<b>ELECTRICAL INLET LOCATION</b>	Elec Inlet Location LH Cab Side Mid
5204-055	<b>ELECTRICAL INLET</b>	Elec Inlet 120V 20A Auto Eject
5210-005	<b>ELECTRICAL INLET CONNECTION</b>	Elec Inlet Conn to Batt Conditioner & Air Pump
5206-002	<b>ELECTRICAL INLET COLOR</b>	Elec Inlet Color Yellow

## **LIGHTING**

---

5301-102	<b>HEADLIGHTS</b>	Headlights 4 Headlamps LED
5303-004	<b>FRONT TURN SIGNALS</b>	Frt Turn Signals Whelen 600 LED
5337-001	<b>HEADLIGHT LOCATION</b>	Headlights Below Frt Warn Lts
5336-004	<b>SIDE TURN/MARKER LIGHTS</b>	Side Turn/Marker Lts LED Bumper Mnt
5302-003	<b>MARKER &amp; ICC LIGHTS</b>	Marker & ICC Lts Face Mnt LED
5350-050	<b>HEADLIGHT AND MARKER LIGHT ACTIVATION</b>	Hdlt & Mrkr Lt Actv Rkr Sw/DRL
5308-005	<b>GROUND LIGHTS</b>	Ground Lts LED Resp Dr & Prk Brk Sw
5309-003	<b>LOWER CAB STEP LIGHTS</b>	Lwr Cab Step Lts LED
5382-002	<b>INTERMEDIATE STEP LIGHTS</b>	Intermediate Step Lts LED
5403-062	<b>LIGHTBAR PROVISION</b>	Lightbar Prov Wire & Lwr Mnt Spartan Supply
5450-234	<b>CAB FRONT LIGHTBAR</b>	Cab Frt Ltbar Whelen Freedom F4N72QLED 8R2C Layout 1
5426-002	<b>LIGHTBAR SWITCH</b>	Lightbar Sw Pnl
5306-065	<b>SIDE SCENE LIGHTS</b>	Side Scene Lts Whelen 900 12V Super 24 LED Clear Gradient
5318-004	<b>SIDE SCENE LIGHT LOCATION</b>	Side Scene Lt Loc Upper Mid Rwd 10" Roof Position
5316-003	<b>SIDE SCENE ACTIVATION</b>	Side Scene Actv Indv Sw
5305-166	<b>INTERIOR OVERHEAD LIGHTS</b>	Interior Overhead Lts Weldon LED w/Front Map Lts
5312-003	<b>ENGINE COMPARTMENT LIGHT</b>	Engine Cmpt Work Lt LED (1)



## **OPTICAL WARNING DEVICES**

---

5406-076	<b>DO NOT MOVE APPARATUS LIGHT</b>	Do Not Move App Lt Flashing Red Whelen Ion LED w/Alarm
5422-001	<b>MASTER WARNING SWITCH</b>	Mstr Warn Sw Pnl
5409-002	<b>HEADLIGHT FLASHER</b>	Headlight Flasher Alternating
5425-018	<b>HEADLIGHT FLASHER SWITCH</b>	Headlight Flasher Sw Pnl
5401-082	<b>INBOARD FRONT WARNING LIGHTS</b>	Inboard Frt Warn Lts Whelen C6 LED Chrm Bezel
5413-003	<b>INBOARD FRONT WARNING LIGHTS COLOR</b>	Inboard Frt Warn Lts Color Red w/Clr Lens
5423-007	<b>FRONT WARNING SWITCH</b>	Frt Warn Sw Pnl
5404-114	<b>INTERSECTION WARNING LIGHTS</b>	Intersection Warn Lts Whelen C6 Super LED
5419-003	<b>INTERSECTION WARNING LIGHTS COLOR</b>	Int Warn Lts Color Red w/Clr Lens
5420-002	<b>INTERSECTION WARNING LIGHTS LOCATION</b>	Intersection Warn Lts Location Bumper Tail Rwd
5402-085	<b>SIDE WARNING LIGHTS</b>	Side Warn Lts Whelen C6 Super LED
5418-003	<b>SIDE WARNING LIGHTS COLOR</b>	Side Warn Lts Color Red w/Clr Lens
5412-002	<b>SIDE WARNING LIGHTS LOCATION</b>	Side Warn Lts Location Lwr Mid
5424-008	<b>SIDE AND INTERSECTION WARNING SWITCH</b>	Side & Intersection Warn Sw Pnl

## **AUDIBLE WARNING DEVICES**

---

5510-004	<b>SIREN CONTROL HEAD</b>	Siren Ctrl Head Whelen 295HFS2
5514-002	<b>HORN BUTTON SELECTOR SWITCH</b>	Horn Btn Sel Sw Elec Horn/Air Horn
5512-003	<b>AIR HORN ACTIVATION</b>	Air Horn Actv Strg Whl/RH Ft Sw
5505-002	<b>BACK-UP ALARM</b>	Back-Up Alarm Ecco 575

## **INSTRUMENTATION**

---

5601-041	<b>INSTRUMENTATION</b>	Instrumentation Standard
5624-001	<b>BACKLIGHTING COLOR</b>	Backlighting Color Red

## **COMMUNICATIONS SYSTEMS**

---

5701-003	<b>RADIO</b>	Radio Panasonic WB/AM/FM/CD Ovrhd LH
5707-002	<b>AM/FM ANTENNA</b>	AM/FM Antenna LH Fwd Cab Roof
5706-002	<b>CAMERA</b>	Cam Rr Box w/Mon
5703-011	<b>COMMUNICATION ANTENNA</b>	Comm Ant Base LH Fwd Cab Rf Spartan Sply
5708-003	<b>COMMUNICATION ANTENNA CABLE ROUTING</b>	Comm Ant Cable Routing Under Rkr Sw Pnl
5020-001	<b>PANEL LAYOUT</b>	Panel Layout

## **ADDITIONAL EQUIPMENT**

---

8814-002	<b>CAB EXTERIOR PROTECTION</b>	Cab Exterior Protection Front
8806-001	<b>FIRE EXTINGUISHER</b>	Fire Extinguisher Shiploose
8810-001	<b>DOOR KEYS</b>	Door Keys for Manual Locks (4)
8811-003	<b>DIAGNOSTIC SOFTWARE OCCUPANT PROTECTION</b>	Diagnostic Software Occupant Protection Advanced Protection System

## **SALES ADMIN**

---

8003-155	<b>WARRANTY</b>	Warranty Cab and Chassis 2019 (2) Year
8030-006	<b>CHASSIS OPERATION MANUAL</b>	Chassis Operation Manual Digital Copy (2)
8031-024	<b>ENGINE &amp; TRANSMISSION OPERATION MANUAL</b>	Eng & Trans Operation Man Eng Hard Copy/Trans Digital/Eng Owner Digital
8805-007	<b>CAB/CHASSIS AS BUILT WIRING DIAGRAMS</b>	Cab/Chassis As Built Wiring Diagrams Digital Copy (2)
8039-001	<b>SALES TERMS</b>	Sales Terms

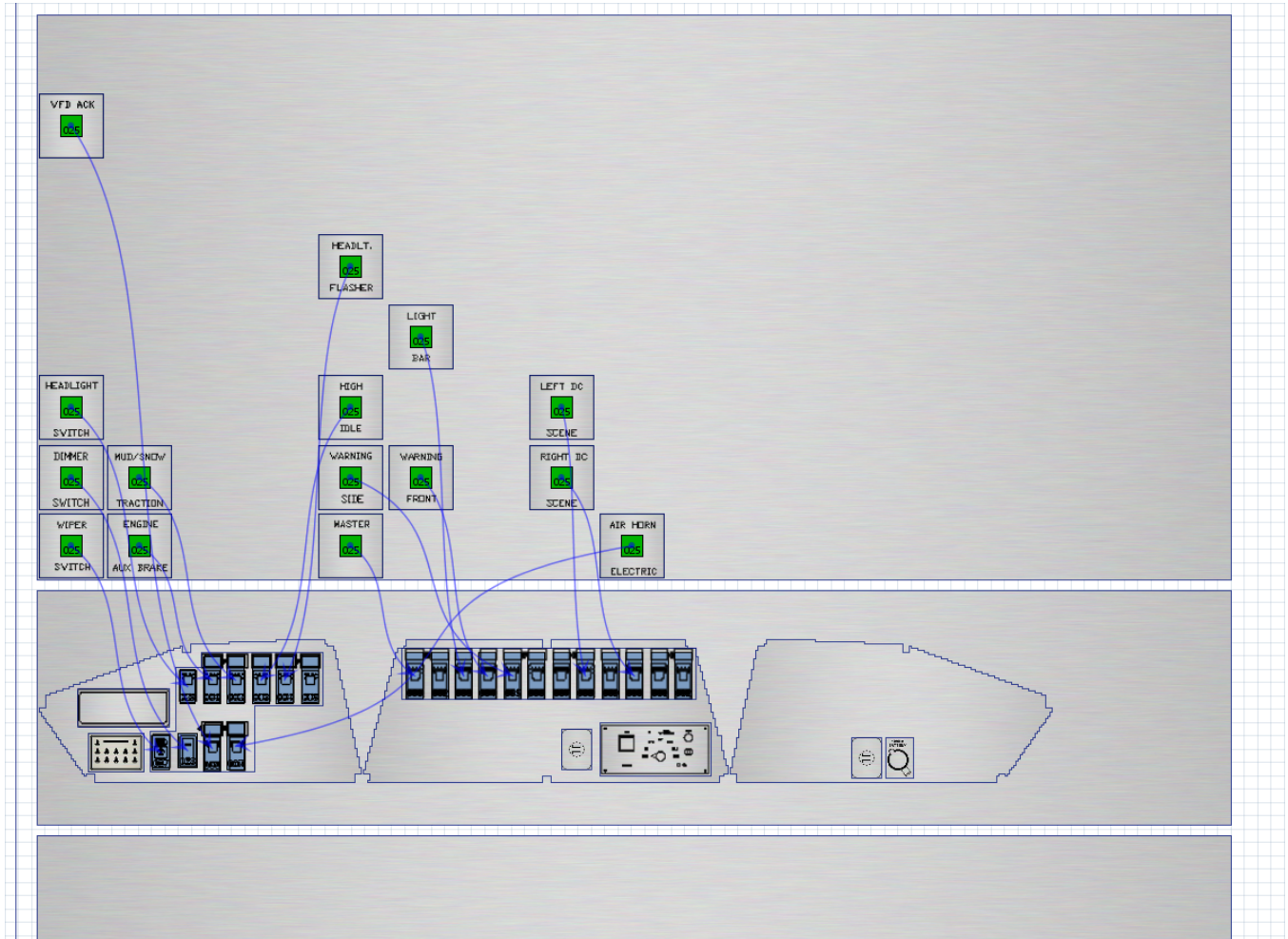
## **ENGINEERING**

---

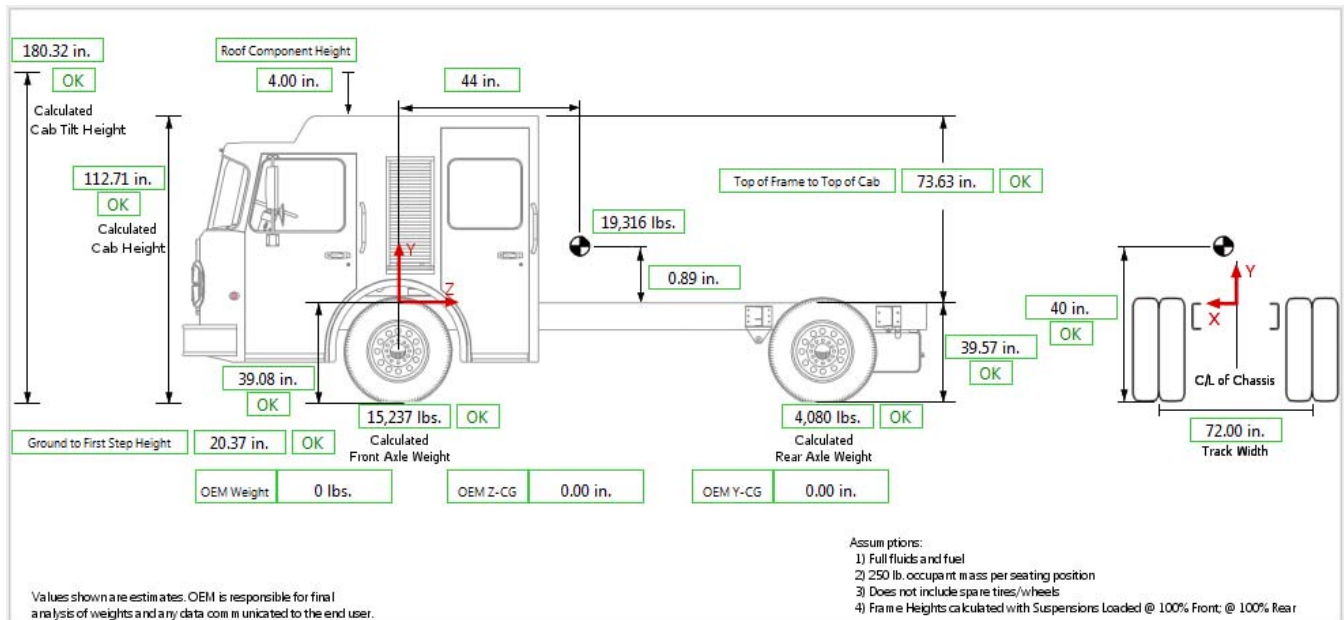
9005-003	<b>DRIVELINE LAYOUT CONFIRMATION</b>	Driveline Layout Confirmation Completed
----------	--------------------------------------	---

# Panel Visual Layout

## 5020-001 Panel Layout



# Weight Distribution

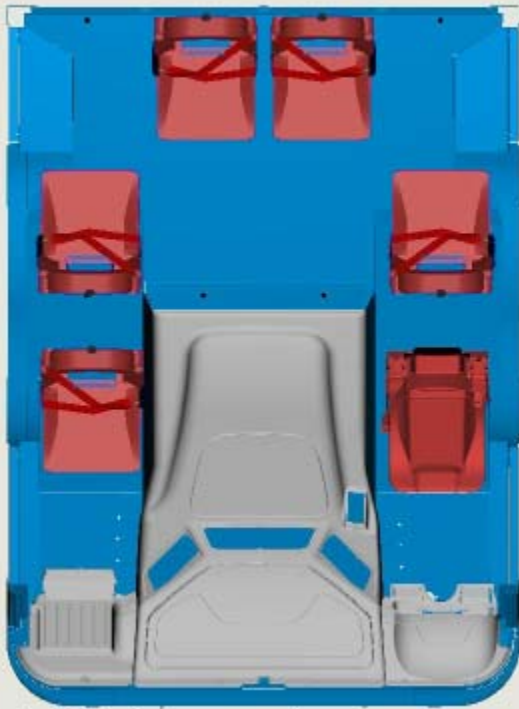


Calculated Apparatus Weight      19,316 lbs.  
 Calculated Apparatus Z-CG        44 in.  
 Calculated Apparatus Y-CG        0.89 in.

Note:

The Y-CG value above is calculated from the top of the frame.  
 Apparatus refers to total combined value for cab and chassis and OEM inputs.

## *Seat Locations*



This drawing is for reference purposes only.

# Frame Dimensions

