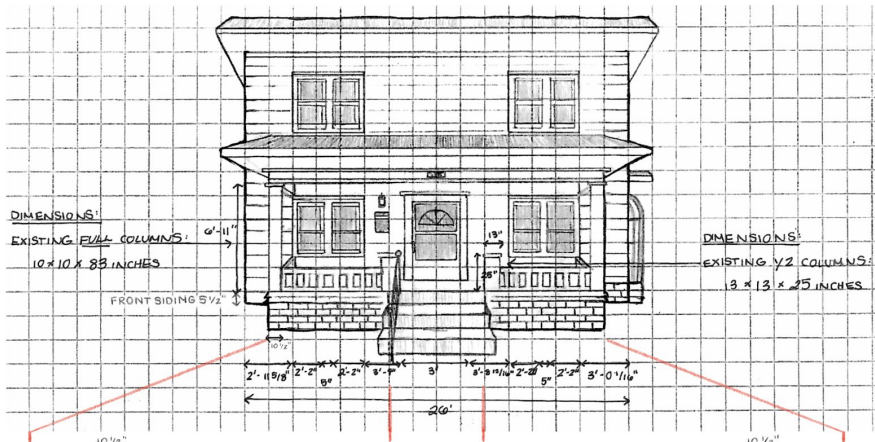


735 Lahoma Consolidated

Ken Wineburg

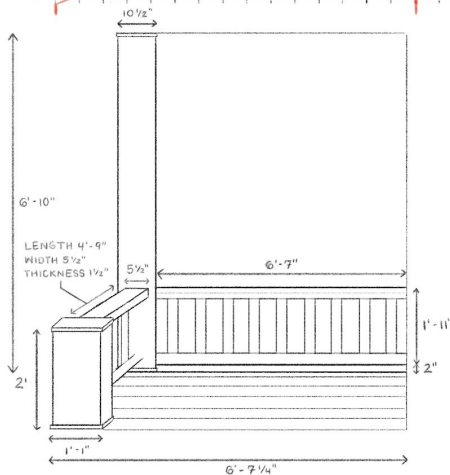
735 LAHOMA FRONT ELEVATION EXISTING



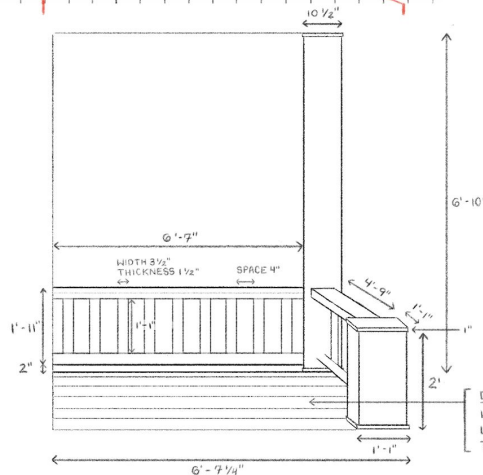
• REPLACE ALL WOOD ON PROPOSAL WITH PRESSURE TREATED WESTERN OAK

• REPLACE 1/2 COLUMNS WITH FULL COLUMNS TO MATCH FRONT PORCH SIDE COLUMNS

• REPLACE PORCH RAILING, TRIM, AND DECKING - EXISTING DESIGNS, MATERIALS, AND DIMENSIONS TO BE MATCHED EXACTLY/AS CLOSE AS POSSIBLE



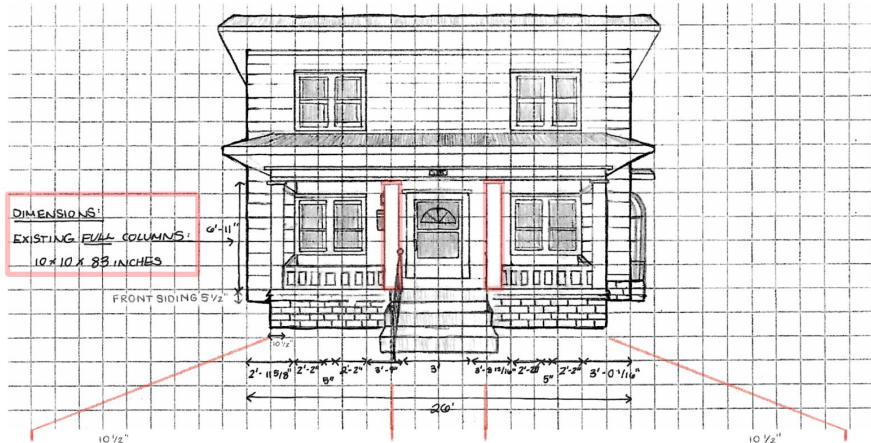
(L) SIDE VIEW OF PORCH TO BE RESTORED



(R) SIDE VIEW OF PORCH TO BE RESTORED

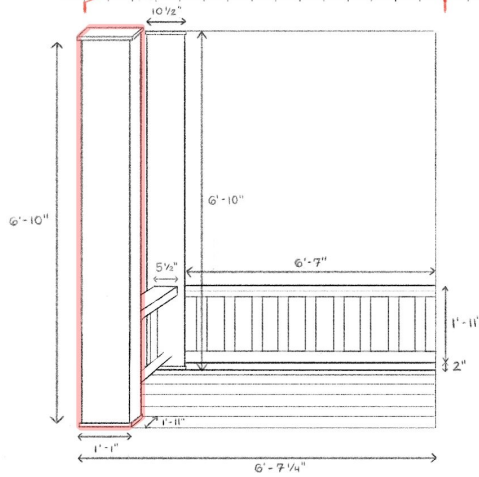
DECKING:
 WIDTH 5 1/2"
 LENGTH 7'-2"
 THICKNESS 3/4"

735 LAHOMA FRONT ELEVATION PROPOSED RESTORATION

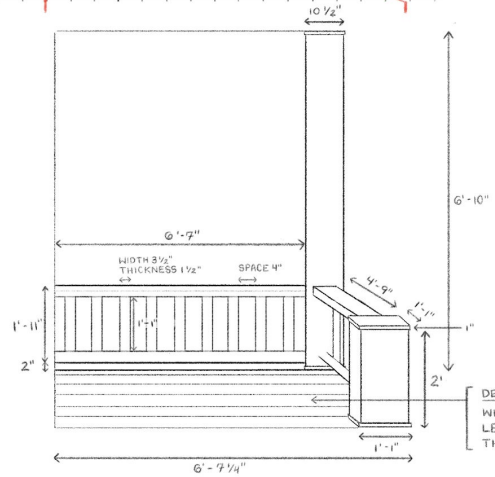


DIMENSIONS:
 EXISTING FULL COLUMNS:
 10x10x88 INCHES

- REPLACE ALL WOOD ON PROPOSAL WITH PRESSURE TREATED WESTERN OAK
- REPLACE 1/2 COLUMNS WITH FULL COLUMNS TO MATCH FRONT PORCH SIDE COLUMNS
- REPLACE PORCH RAILING, TRIM, AND DECKING - EXISTING DESIGNS, MATERIALS, AND DIMENSIONS TO BE MATCHED EXACTLY/AS CLOSE AS POSSIBLE
- **REPLACEMENT PROPOSED COLUMNS TO MATCH MATERIAL AND DIMENSIONS OF EXISTING FULL CORNER COLUMNS**



(L) SIDE VIEW OF PORCH PROPOSED



(R) SIDE VIEW OF PORCH BEFORE

DECKING:
 WIDTH 5 1/2"
 LENGTH 7'-2"
 THICKNESS 3/4"

735 LAHOMA SOUTH ELEVATION
EXISTING



REMOVE ATRIUM WINDOW,
REINSTALL WITH ORIGINAL
WINDOW WHICH MATCHES
OTHER WINDOWS.

735 LAHOMA SOUTH ELEVATION
PROPOSED RENOVATION



REPLACEMENT WITH
IDENTICAL WINDOW
TO MATCH OTHERS

735 LAHOMA SOUTH ELEVATION
PROPOSED RENOVATION



REPLACEMENT WITH
IDENTICAL WINDOW
TO MATCH OTHERS

FRONT



SOUTH SIDE









