



# PROPOSAL

P.O. Box 44112 Boise, ID 83711

**PHONE:** (208)343-7600

**FAX:** (208)343-2159

Idaho Public Works - 13294-A- 4 (09950, 02761, 02785, 01570, 18800, 02890)

Oregon Construction License - 129615

DBE Authority - 49 CFR 26

RCE - 1922

**PROPOSAL SUBMITTED TO**

City of New Meadows

**STREET**

401 Virginia Street

**CITY, STATE, ZIP CODE**

New Meadows, ID 83654

**CONTACT**

Kyla

**PHONE**

(208) 347-3271

**JOB NAME**

Markings & Signs

**JOB LOCATION**

New Meadows, Idaho

**SHEET #**

Per Email

**DATE**

9/19/2022

ITEM #	ITEM DESCRIPTION	QUANTITY	UNIT	UNIT PRICE	BID AMOUNT
1	INSTALL D3 SUPPLIED WOOD POST WITH RELOCATED WELCOME TO NEW MEADOWS SIGN AS PER DISCUSSION.	2.0	EA	\$584.00	\$1,168.00
2	INSTALL B2 SUPPLIED STEEL POST SET IN 24" X 60" CONCRETE FOUNDATION & 35 MPH SIGN AS PER DISCUSSION.	3.0	EA	\$2,607.00	\$7,821.00
3	FURNISH AND INSTALL SOLAR SAFEPACE EV 12" RADAR FEEDBACK SIGN BELOW 35 MPH SIGN AS PER DISCUSSION.	3.0	EA	\$5,575.00	\$16,725.00
4	LAYOUT AND INSTALL THERMOPLASTIC CROSSWALKS AS PER ATTACHED DIAGRAM.	1,008.0	SQFT	\$8.75	\$8,820.00
5	INSTALL W11-2 PEDESTRIAN SIGN w/ ARROW ON ALUMINUM , 14' X 4.5" OD POST WITH SOLAR RRFB FLASHING BEACON S PER ATTACHED DETAIL.	2.0	EA	\$13,943.00	\$27,886.00
6	LAYOUT AND PAINT PARKING LOT PAVEMENT MARKINGS AS PER ATTACHED DRAWING.	1.0	LS	\$600.00	\$600.00
7	MOBILIZATION	1.0	LS	\$7,500.00	\$7,500.00

**SPECIAL NOTES:**

- 1 This bid may expire if notice of intent is not given within 30 days of the bid opening.
- 2 These prices reflect all line items as a total package, if items are broken up individually then a new price quote is required.
- 3 This is a unit price proposal. This contract is based on estimated quantities. Actual payment will be based on final quantities completed.
- 4 Proposal excludes surveying, traffic control, materials testing, and any permits or fees.
- 5 If accepted, this proposal to become any exhibit to the subcontract agreement.
- 6 Due to the instability of the traffic paint industry with the associated price increases and material shortages, Curtis Clean Sweep Inc reserves the right to adjust the pricing for the pavement marking products quoted above as we receive these increases. In the event that traffic paint becomes unavailable, Curtis Clean Sweep Inc will be held harmless.

We propose hereby to furnish material and labor - complete in accordance with the above specification's for the sum of: **\$70,520.00**

Payment is to be made as follows: **UPON INVOICE**

All material is guaranteed to be as specified. All work to be completed in a workmanlike manner according to standard practices. Any alteration or deviation from above specifications involving extra costs will be executed only upon written orders, and will become an extra charge over and above the estimate. All agreements contingent upon strikes, accidents, or delays beyond our control. Owner to carry fire, tornado and other necessary insurance. Our workers are fully covered by Workman's Compensation Insurance.

Authorized Signature:

**CORY ZUBIZARETA**

Note: This proposal will be withdrawn by us if not accepted within 30 days.

**Acceptance of Proposal** - The prices, specifications and conditions are satisfactory and are hereby accepted. You are authorized to do the work as specified. Payment will be made as specified above

**SIGNATURE:** \_\_\_\_\_

**DATE:** \_\_\_\_\_



# Work Diagram

P.O. Box 44112 Boise, ID 83711  
**PHONE:** (208)343-7600  
**FAX:** (208)343-2159

Idaho Public Works - 13294-A- 4 (09950, 02761, 02785, 01570, 18800, 02890)  
Oregon Construction License - 129615  
DBE Authority - 49 CFR 26  
RCE - 1922

**PROPOSAL SUBMITTED TO**

City of New Meadows

**STREET**

401 Virginia Street

**CITY, STATE, ZIP CODE**

New Meadows, ID 83654

**CONTACT**

Kyla

**PHONE**

(208) 347-3271

**JOB NAME**

Markings & Signs

**JOB LOCATION**

New Meadows, Idaho

**SHEET #**

Per Email

**DATE**

9/19/2022



**Acceptance of Proposal** - The prices, specifications and conditions are satisfactory and are here by accepted. You are authorized to do the work as specified. Payment will be made as specified above

**SIGNATURE:** \_\_\_\_\_

**DATE:** \_\_\_\_\_

# PEDESTRIAN CROSSWALK SYSTEM

Solar-Powered RRFB

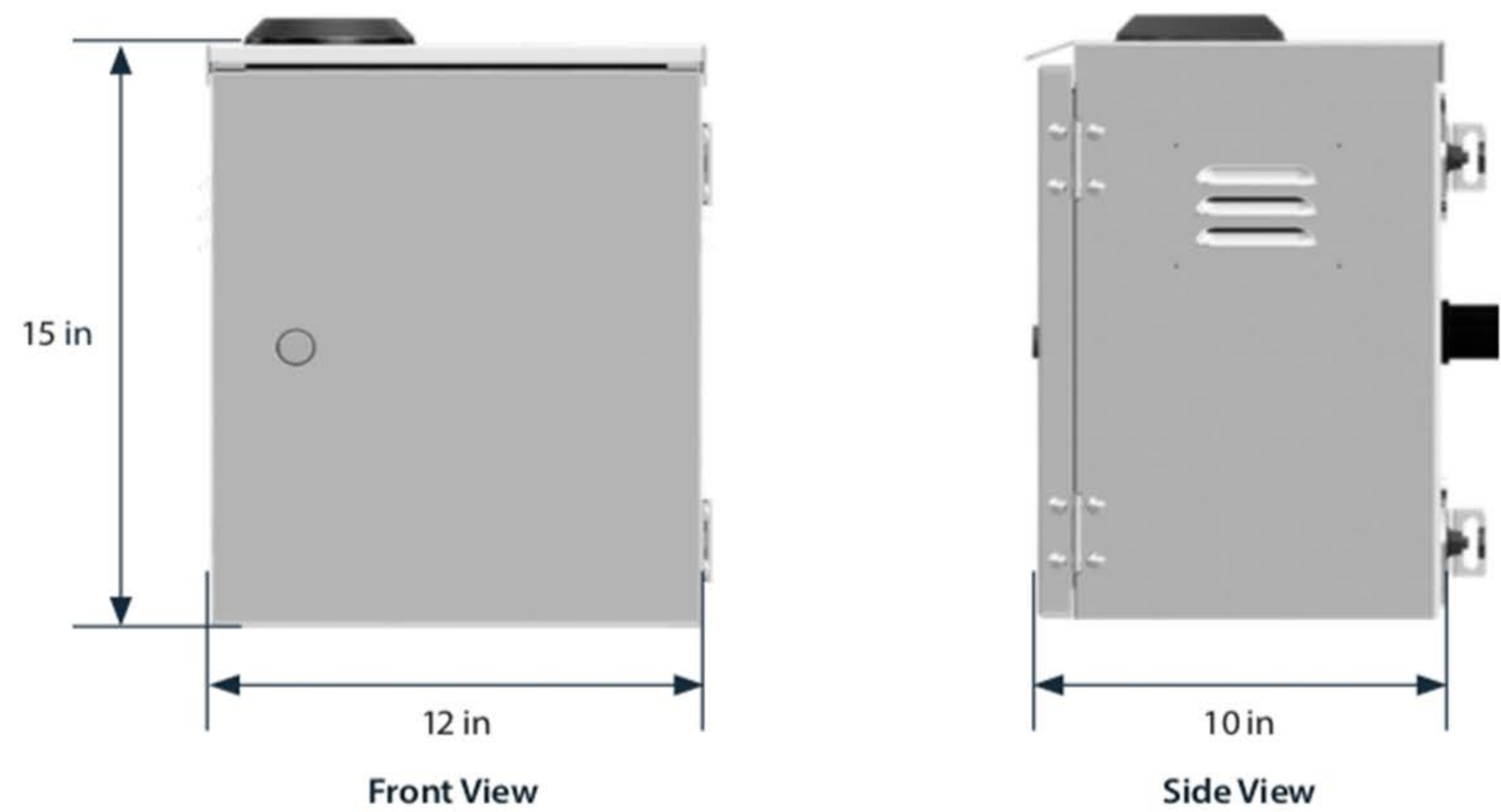


TRAFFIC SAFETY  
SUPPLY COMPANY



## 55W/48Ah SIDE-OF-POLE CONTROL CABINET

<b>HOUSING</b>	NEMA 3R type aluminum
<b>SOLAR PANEL</b>	55 watt
<b>BATTERY</b>	12v, up to 48Ah
<b>BATTERY LIFESPAN</b>	3 to 5 years, field replaceable
<b>MOUNTING OPTIONS</b>	Various sizes of round, square and wood posts
<b>MOUNTING HARDWARE</b>	Stainless steel hardware
<b>WARRANTY</b>	3-year limited battery warranty 5-year limited system warranty 10-year limited solar panel warranty



# PEDESTRIAN CROSSWALK SYSTEM

Solar-Powered RRFB

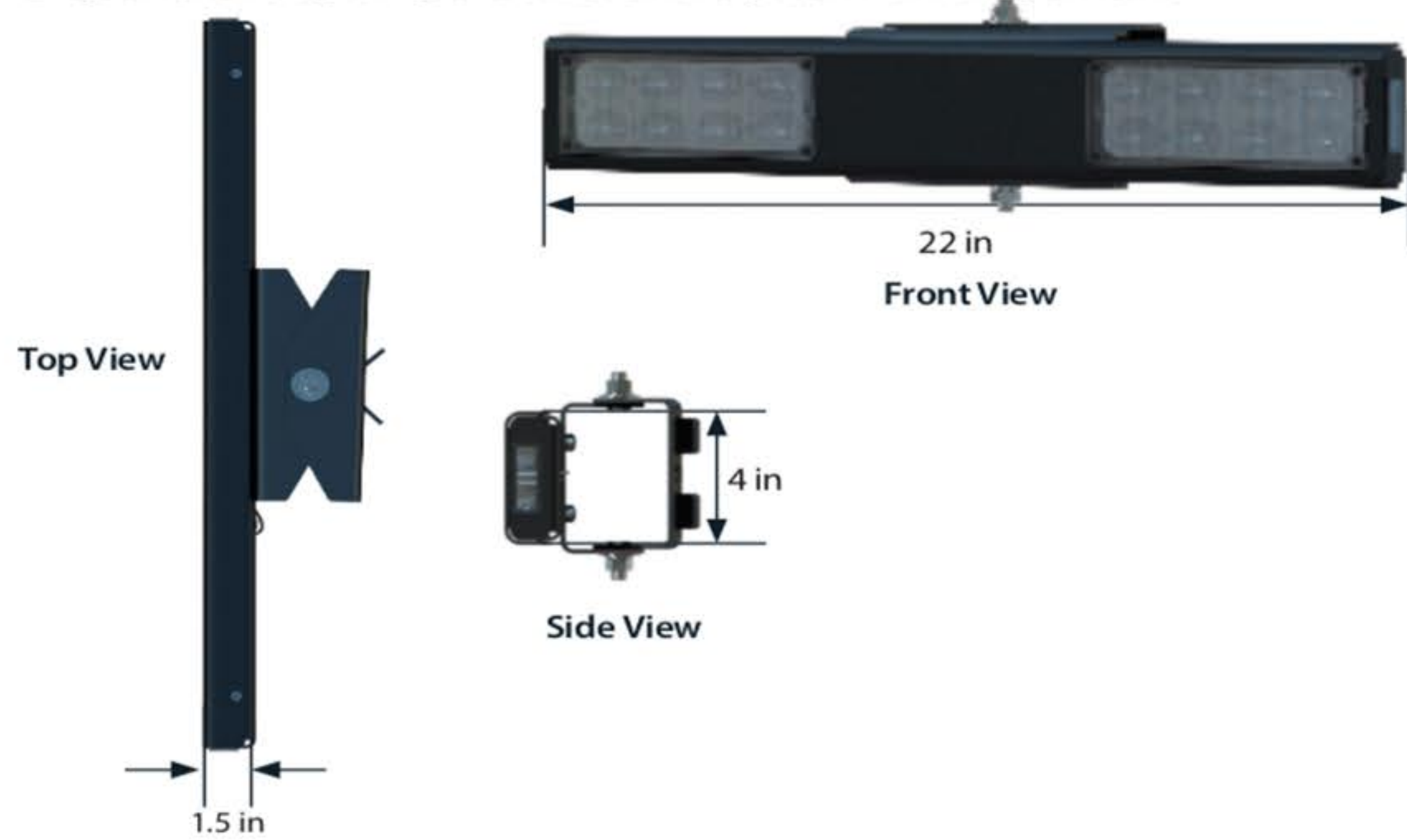


TRAFFIC SAFETY  
SUPPLY COMPANY

## RECTANGULAR RAPID FLASHING BEACON

<b>LIGHT BAR HOUSING</b>	Black powder-coated aluminum
<b>VEHICLE LED MODULES</b>	7"W x 3"H; 2 arrays of 8 amber LEDs spaced 7" apart, SAE J595 class 1 certified (required on both sides of street in accordance with Interim Approval 21)
<b>PEDESTRIAN LED MODULES</b>	0.5"W x 1.75"H side-viewable, flash simultaneously with vehicle LED (optional, one or both sides)
<b>DIMMING</b>	Variable based on photocell sensor input
<b>FLASH PATTERN</b>	Interim Approval 21 compliant, WW + S
<b>FLASH RATE</b>	Interim Approval 21 compliant, 50 milliseconds
<b>MOUNTING HARDWARE</b>	Universal mounting bracket
<b>WIND LOAD RATING</b>	Up to 120mph*
<b>OPERATING TEMPERATURE RANGE</b>	-40°F to 122°F (-40°C to 50°C)

\* Dependent upon pole size and system arrangement



RRFB-XL2™



BLINKERBEAM®  
WIRELESS RADIO



XAV2-LED  
PUSH BUTTON



BULLDOG  
PUSH BUTTON

## BLINKERBEAM® WIRELESS COMMUNICATION

<b>FREQUENCY</b>	900 MHz FHSS (Frequency Hopping Spread Spectrum)
<b>RANGE</b>	900 feet (radio site survey recommended)
<b>CONNECTIVITY</b>	Crosswalk and optional advanced warning LEDs activate concurrently

## ACTIVATIONS

<b>PUSH BUTTON ACTIVATION</b>	ADA push button, typical (<120 millisecond)
<b>USER-ACTUATED PUSH BUTTON</b>	XAV2-LED or Bulldog 300, 20-second daily activations minimum
<b>PASSIVE DETECTION</b>	Wireless bollards
<b>AUTONOMY</b>	24-day minimum

## OPTIONAL PROGRAMMING

<b>BlinkLink®</b>	Optional cloud software with cellular modem**
-------------------	---

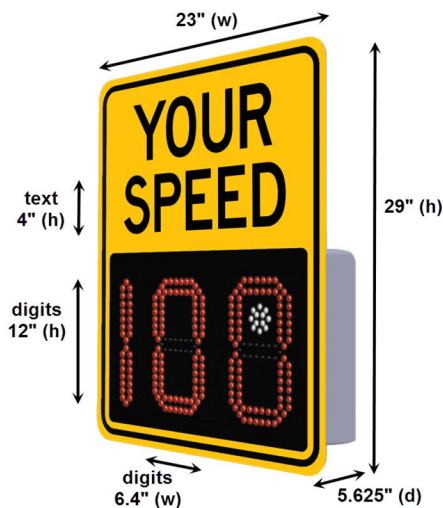
\*\* Dependent upon system configuration

# SAFEPACE® EVOLUTION 12

Radar Sign



TRAFFIC SAFETY  
SUPPLY COMPANY



## PRODUCT DESCRIPTION

The compact SafePace® Evolution 12 sign offers lightweight entry-level speed display for private communities or local roads. The economical sign offers remarkable power efficiency and quick, easy installation.

## DIMENSIONS

### » Digit Size:

- First digit: 12"(h) x 1.125"(w), 56 LEDs (3-digit signs only)
- Other digits: 12"(h) x 6.4"(w), 196 LEDs per digit

### » Sign Face Text: Letters 4"(h) spell "YOUR SPEED" fixed message, 2 lines

### » Unit alone: 17.25"(h) x 23"(w) x 5.625"(d)

### » Unit with "YOUR SPEED" sign mounted:

- Full size sign: 29.0"(h) x 23.0"(w) x 5.625"(d)
- » Sign Weight (includes "YOUR SPEED" sign)
  - AC Powered Model: 20 lbs
  - Battery Powered Model: 20 lbs (not including batteries)
  - Solar Powered Model: 20 lbs (does not include solar panel or bracket)

### » Accessories (optional)

- 4 Cell Lithium Ion Battery: 4 lbs
- Lead Acid Battery: 12 lbs
- Universal Mounting Bracket System
  - Sign Bracket: 2 lbs
  - Pole Bracket: 5 lbs

All Specifications Subject to Change Without Notice

# SAFEPACE® EVOLUTION 12

## Radar Sign



TRAFFIC SAFETY  
SUPPLY COMPANY

## TECHNICAL SPECIFICATIONS

- » 3-Digit Speed Display
  - Miles Per Hour (mph): 3-99 mph
  - Kilometers Per Hour (km/h): 5-160 km/h
- » High-Intensity prismatic reflective sheeting on “YOUR SPEED” signs with black colored text
- » MUTCD approved colors and format
- » Operating Temperatures F (C): -40° (-40°) to 185° (85°)
- » Conformal coating on all circuit boards

## Power

- » Power input:
  - 100~240 V AC @ 150 mA
  - 12VDC(11-14.5V@1A)
  - Built in ambient light sensing and automatic brightness control
  - Wireless battery charge monitoring (via software interface)
- » Power Options
  - AC power input: 100~240 V AC
  - DC (battery) power input: 12 V DC
  - DC (battery) power options:
    - 12V, 18Ah Lead acid batteries
    - 4 Cell, 12.8V, 15Ah Lithium-Ion Phosphate batteries
  - Solar power: 50W solar panel

## Radar

- » Internal Radar: Doppler (FCC approved)
- » Model: DF 600
- » Radar RF out: 5 mW maximum
- » Radar f-center: 24.125 GHz or 24.200 GHz
- » Pickup distance: Up to 400 feet
- » Beam angle: 24° (vertical) x 12° (horizontal)
- » Beam polarization: Linear
- » CE Mark (Radar): Yes

## Display

- » LEDs: 460
  - Digits (Yellow): 224 LEDs
    - Color: Yellow (590 nm)
    - Viewing angle at 50% IV: 30°
    - Partial Flux (Brightness): 9000 – 22400 Ev,[lux]/LED
  - Digits (Red): 224 LEDs
    - Color: Red(633 nm)
    - Viewing angle at 50% IV: 30°
    - Partial Flux (Brightness): 7100 – 18000 Ev,[lux]/LED
  - Speed Violator Strobe: 12 LEDs
    - Color: White (2700 K – 6500 K)
    - Viewing angle at 50% IV: 150°
    - Luminous Flux: typically 33lm @ 4000 K
    - Luminous Efficacy: typically 176 lm/W @4000 K
- » Ambient light sensor and automatic brightness adjustment

## Enclosure

- » Vandal resistant, lightweight polymer
- » Matte black front for reduced glare and maximum contrast
- » Light gray body to minimize heat absorption
- » Weatherproof, NEMA 4X-12, IP65 level compliant
- » Non-sealed and ventilated

All Specifications Subject to Change Without Notice

# SAFEPACE® EVOLUTION 12

## Radar Sign



TRAFFIC SAFETY  
SUPPLY COMPANY

## COMMUNICATIONS



- » Bluetooth (standard)
- » GSM/GPRS (optional, for use with SafePace Cloud)

## PROGRAMMING

- » SafePace® Pro management software
- » SafePace® Cloud remote management
- » 24/7 365 day unlimited programming and scheduling
- » Display Settings:
  - Display On/Stealth Modes (In Stealth Mode, speed is not displayed but data is collected)
  - Display Minimum Speed, Display Maximum Speed
  - Digit Flashing Speed Threshold (digits flash above specified speed threshold)
  - LEDs Flashing Speed (for digits)
    - Fast: 1.5 Hz
    - Medium: 1 Hz
    - Slow: 0.75 Hz
  - Speed activated, dual-color digit display (speeds above a specified value are displayed in red)
  - Speed Violator Strobe (pulsing strobe flashes above specified speed)

## DATA COLLECTION STATISTICAL ANALYSIS AND REPORTING (OPTIONAL FEATURE)

- » Traffic data collected and stored by location
- » Stealth Mode (captures baseline traffic data with speed display turned off)
- » Download through wireless connection
- » Statistical Reporting & Charts
  - Summary Reports
  - Weekly Reports
  - Period Comparison Reports
  - Full custom reports and charts
  - Reporting Parameters:
    - Average Vehicle Count
    - Total Vehicle Count
    - Average Speed
    - Average Number of Speed Violations
    - Total Number of Speed Violations
  - Other Features:
    - Minimum and Maximum Speed
    - 85% Speed
    - Counters by Speed Bins
    - 5 MPH Bin Resolution
    - Reports print directly or can be exported into CSV format, MS Excel, Adobe Acrobat PDF and HTML
    - Charts may be printed directly or converted into Adobe Acrobat PDF and image formats



### Two Year Warranty

Two year warranty on parts and labor  
excluding damage related to  
vandalism, abuse, and/or theft