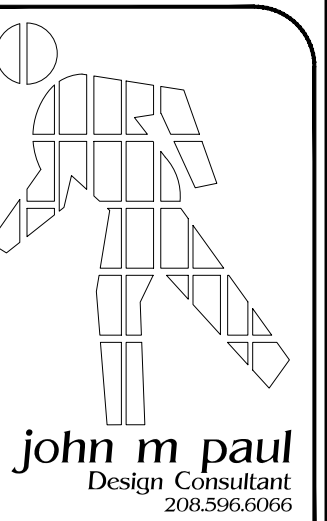


THESE DRAWINGS ARE COPYRIGHTED AND ARE NOT SUITABLE FOR USE ON OTHER PROJECTS OR IN OTHER LOCATIONS WITHOUT THE APPROVAL AND PARTICIPATION OF THE DESIGN PROFESSIONAL.

East Park  
New Meadows, Idaho

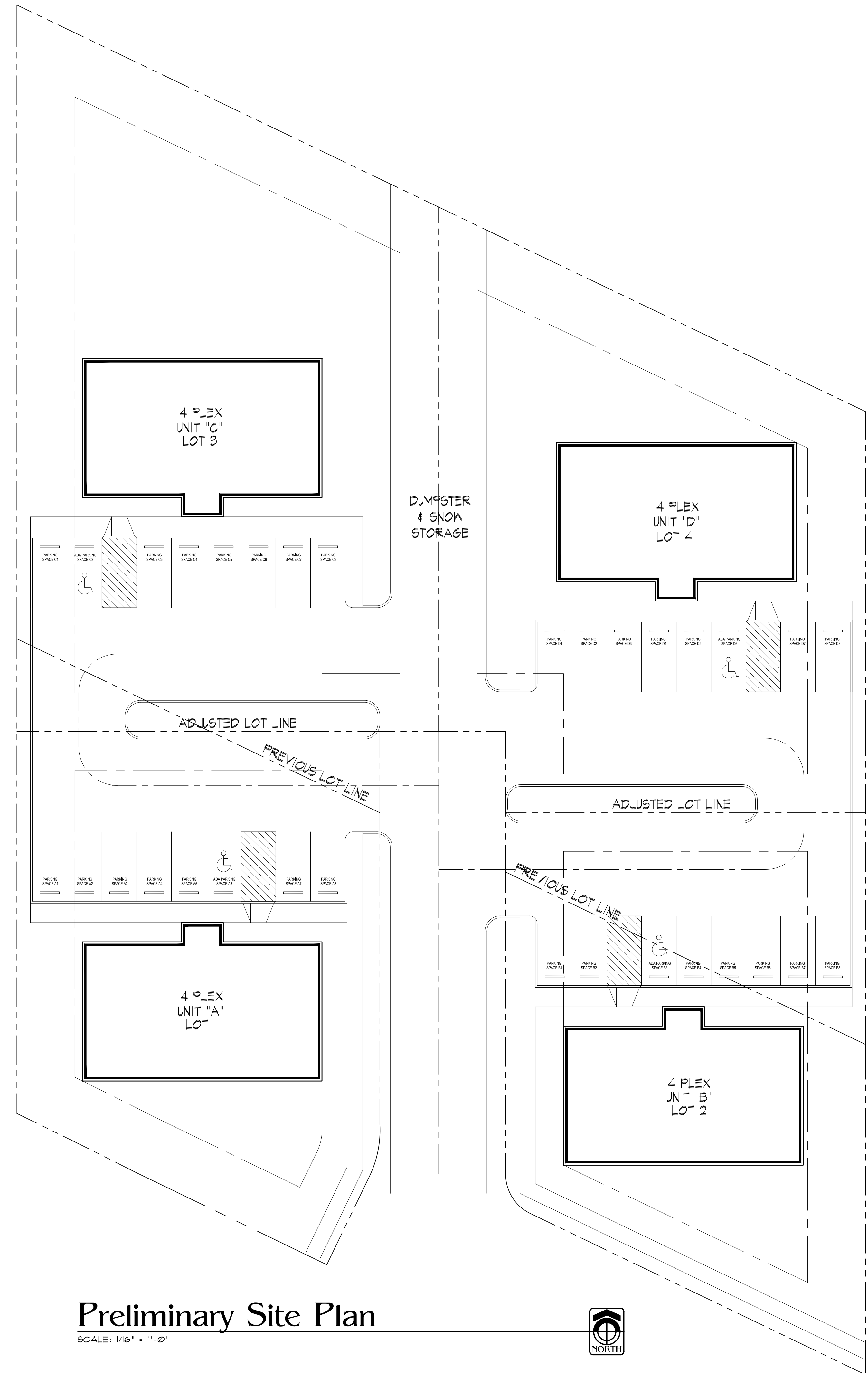
East Park ~ new Meadows  
Curtis & Stacy Blum



Job Number: 00-130722  
Date: 01/15/22

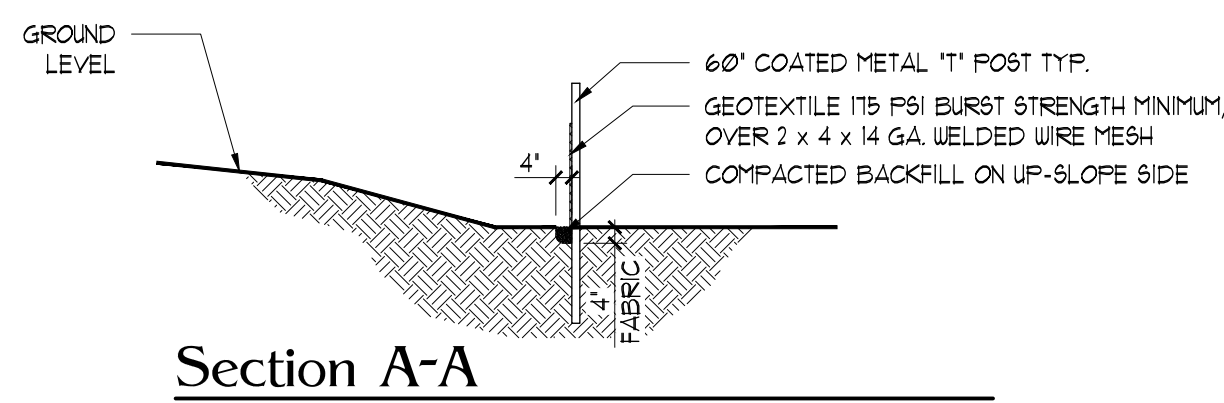
Sheet Contents:  
Site Plan  
Site Details  
Perspectives

A-1

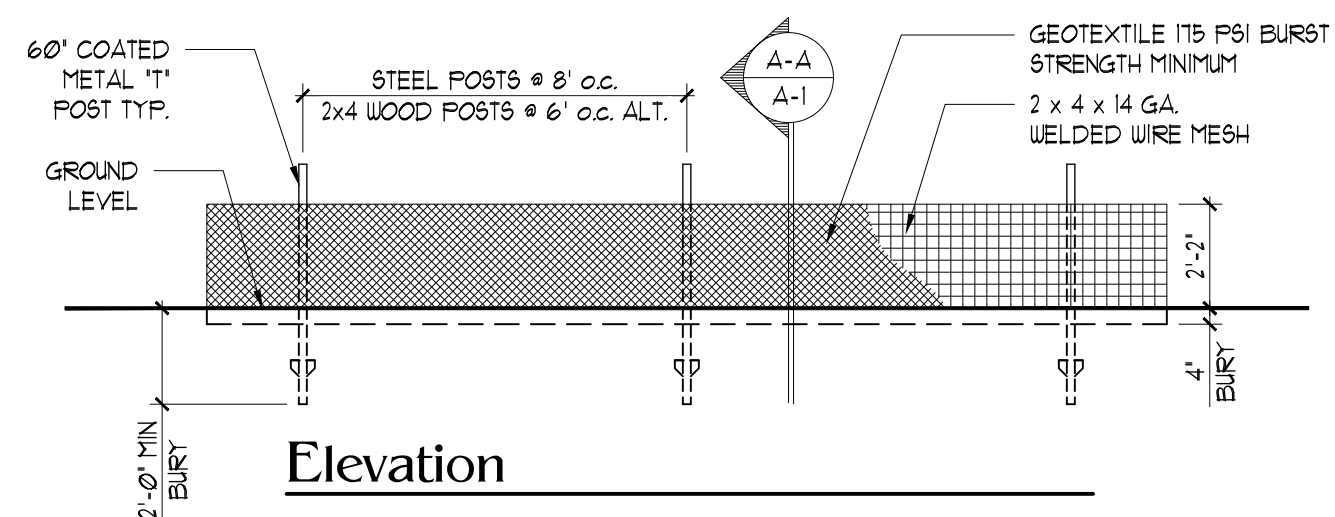


Preliminary Site Plan

SCALE: 1/16" = 1'-0"



Section A-A



Elevation

Silt Fence Notes:

1. ATTACH WIRE MESH TO POSTS W/ APPROVED METAL DEVICES
2. ATTACH GEOTEXTILE FABRIC TO THE UP-SLOPE SIDE OF POSTS AND WIRE MESH TOP AND BOTTOM W/ APPROVED METAL FASTENERS @ 24" o.c. MAXIMUM SPACING
3. GEOTEXTILE FABRIC TOP EDGE SHALL BE 26" MINIMUM ABOVE GROUND
4. OVERLAP VERTICAL SILT FENCE SPLICES 8" MINIMUM (POST TO POST). SEE ELEVATION ABOVE. AVOID BUMPS AND OTHER LOW POINTS

Silt Fence Detail

N.T.S.

1