

EXT 006

Field Measure Existing Sign for exact dimensions.



Front & Back View



Side View

(A) REPLACE ACRYLIC PANEL WITH NEW PANEL. LOGO TO ILLUMINATE. FRAME TO BE PAINTED YELLOW TO MATCH LOGO COLOR. SIDES TO BE FINISHED BLACK

(B) COLUMN AND PLINTH TO BE FINISHED BLACK.

(C) _____

(D) _____

(E) _____

(F) _____

(F) _____

NOTE: CONCEPT ONLY. REFURBISH EXISTING SIGN. FINAL DRAWINGS TO BE SUBMITTED BY SIGNAGE VENDOR. FIELD MEASUREMENTS ESSENTIAL PRIOR TO PRODUCTION. SEE LOCAL ORDINANCES FOR FINAL SIZE.

- graphic only
- single sided
- double sided
- wall mounted
- soffit mounted
- hanging
- finished back
- fixture mounted
- floor standing
- millwork
- door/window
- illuminated
- exterior
- bathroom
- detail

GJ PERELLI COMPANY



cumo DESIGNS LLC

248.432.7147 cumodesigns.com

- preliminary
- presentation
- final / bid
- revision

24 Feb 26

GJP / Extra CU client
 New Haven, MI location
 New Branch proj.name
 sb drawn
 Exterior Pylon Sign item name
 EXT 006 code
 1 of 1 sheet #

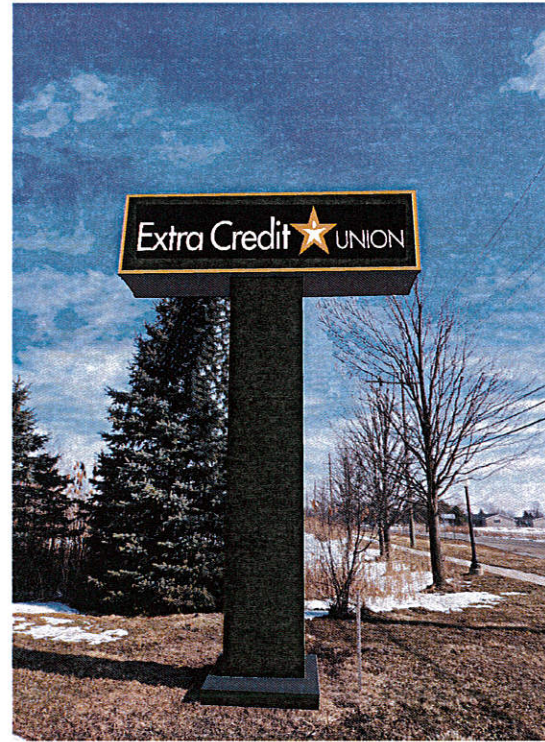
THESE DRAWINGS ARE CONSIDERED DESIGN INTENT ONLY AND ARE NOT FOR CONSTRUCTION. DO NOT SCALE DRAWINGS. FIGURED DIMENSIONS ARE FOR GUIDANCE ONLY.

COPYRIGHT © 2026 CUMO DESIGNS L.L.C. NO REPRODUCTION ALLOWED WITHOUT EXPRESS CONSENT OF CUMO DESIGNS L.L.C.

EXT 006 EXISTING



EXT 006 PROPOSED



EXT 005 EXISTING



EXT 005 PROPOSED

GJ
PERELLI
COMPANY



cumo
DESIGNS LLC

248.432.7147
cumodesigns.com

- preliminary
- presentation
- final / bid

24 Feb 26 ● revision

GJP / Extra CU client

New Haven, MI location

New Branch proj.name

sb drawn

Exterior Pylon Sign Comparison item name

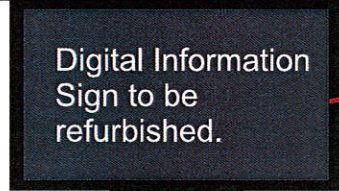
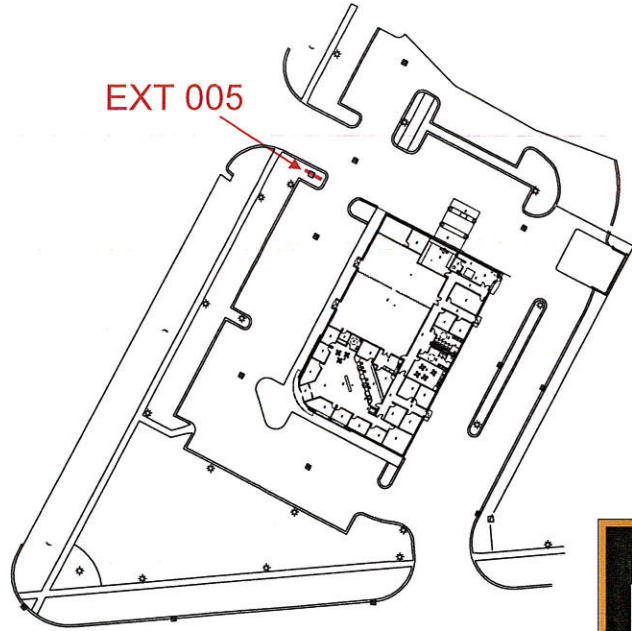
EXT 005 & EXT 006 code

1 of 1 sheet #

THESE DRAWINGS ARE CONSIDERED
DESIGN INTENT ONLY
AND ARE NOT FOR CONSTRUCTION.
DO NOT SCALE DRAWINGS.
FIGURED DIMENSIONS ARE
FOR GUIDANCE ONLY.

COPYRIGHT © 2026 CUMO DESIGNS L.L.C.
NO REPRODUCTION ALLOWED WITHOUT
EXPRESS CONSENT OF CUMO DESIGNS L.L.C.

EXT 005



Field Measure Existing Sign for exact dimensions.

NOTE: CONCEPT ONLY. REFURBISH EXISTING SIGN. FINAL DRAWINGS TO BE SUBMITTED BY SIGNAGE VENDOR. FIELD MEASUREMENTS ESSENTIAL PRIOR TO PRODUCTION. SEE LOCAL ORDINANCES FOR FINAL SIZE.

Front & Back View

Side View

- A** REPLACE ACRYLIC PANEL WITH NEW PANEL. LOGO TO ILLUMINATE. FRAME TO BE PAINTED YELLOW TO MATCH LOGO COLOR. SIDES TO BE FINISHED BLACK
- B** REPLACE SIGN PANEL AND PAINT FRAME TO MATCH LOGO COLOR. SIDES TO BE FINISHED BLACK
- C** UPDATE DIGITAL SIGN AS NECESSARY. SIDES TO BE FINISHED BLACK
- D** COLUMN AND PLINTH TO BE FINISHED BLACK
- E**
- F**

GJ PERELLI COMPANY



cumo DESIGNS LLC

248.432.7147 cumodesigns.com

- preliminary
- presentation
- final / bid
- revision

24 Feb 26

GJP / Extra CU client

New Haven, MI location

New Branch proj.name

sb draw

Exterior Pylon Sign item name

EXT 005 code

1 of 1 sheet #

- graphic only
- single sided
- double sided
- wall mounted
- soffit mounted
- hanging
- finished back
- fixture mounted
- floor standing
- millwork
- door/window
- illuminated
- exterior
- bathroom
- detail

THESE DRAWINGS ARE CONSIDERED DESIGN INTENT ONLY AND ARE NOT FOR CONSTRUCTION. DO NOT SCALE DRAWINGS. FIGURED DIMENSIONS ARE FOR GUIDANCE ONLY.

COPYRIGHT © 2026 CUMO DESIGNS L.L.C. NO REPRODUCTION ALLOWED WITHOUT EXPRESS CONSENT OF CUMO DESIGNS L.L.C.