

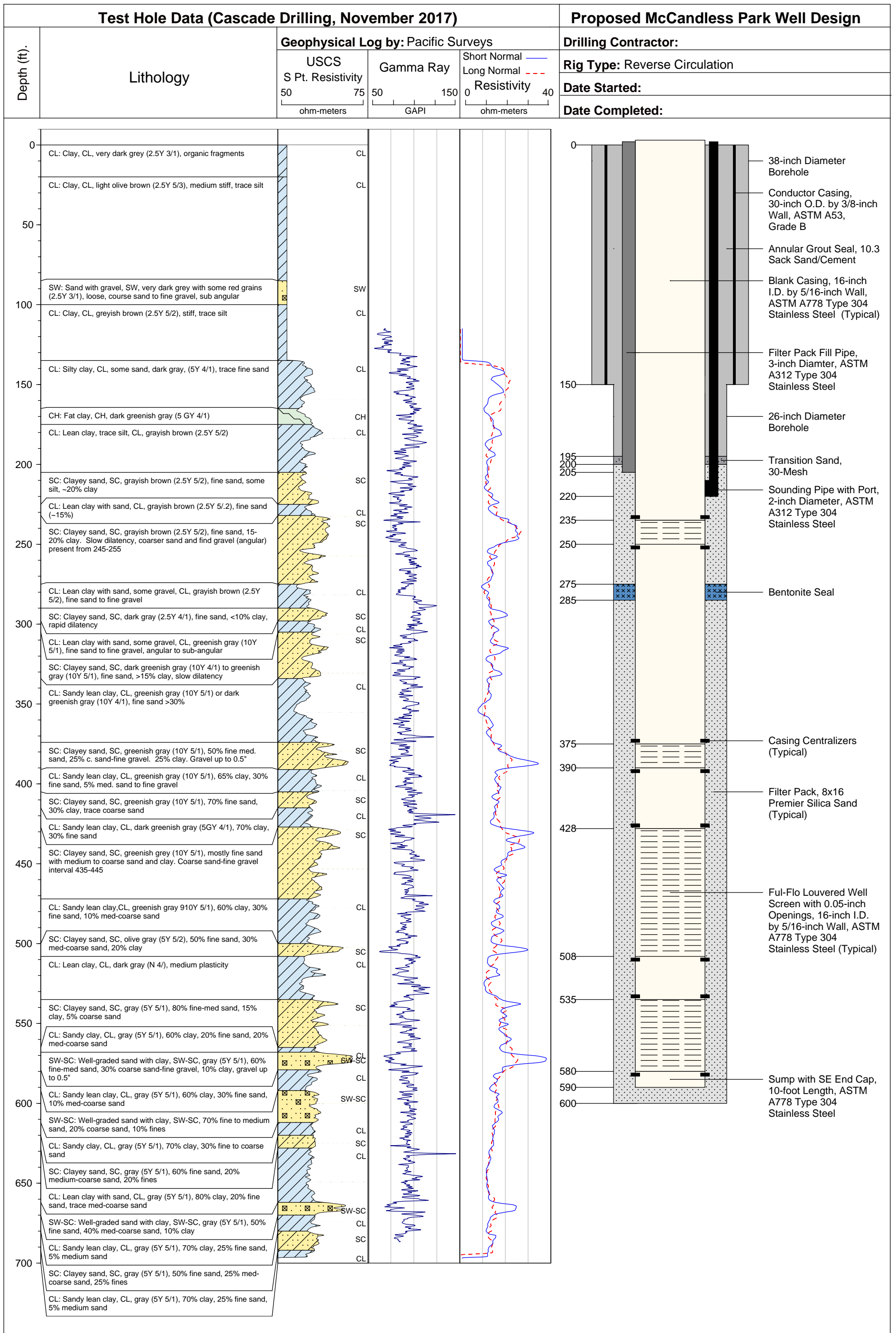
- Symbology**
- Approximate Well Location
  - Existing Fire Hydrant
  - Existing Manhole
  - Existing Storm Drain Outfall
  - Temporary Discharge Pipeline
  - Approximate Layout of Temporary Sound Barrier
  - PG&E Gas Line (See Note 5)

- Notes:**
- 50' radius primary drinking water source protection zone: no sewer, stormwater or industrial lines; no lateral lines; no house foundations; no septic; no leach lines.
  - 100' radius primary drinking water source protection zone: no sewer or stormwater mains; no drainage channels.
  - Site locations and infrastructure are approximate.
  - The Contractor shall construct a stabilized access consisting of a pad of coarse aggregate underlain with filter cloth located where traffic enters or leaves the site to minimize tracking of sediment and mud onto paved streets. The Contractor shall inspect the stabilized construction access daily for damage and effectiveness of preventing mud, soil, sediment and construction debris from being tracked onto streets. Streets adjacent to construction and discharge areas shall be swept as necessary to remove loose materials.
  - PG&E high pressure gas pipeline shown within the PG&E easement is approximated.



**Exhibit 1**  
**Well**  
**Site Plan**

City of Milpitas  
McCandless Park Well  
Technical Specifications



LOCATION: City of Milpitas

- Notes:
- Well design is intended for bidding purposes only.
  - Actual well construction will be based on lithology and geophysical logs, as determined by the Engineer.
  - Sets of four centralizers with 90-degree circumferential spacing shall be attached by welding directly to the blank well casing above and below each screened section and at intervals of no more than 80 feet of blank casing. Only centralizers above and below each screened section are shown on this proposed well design.

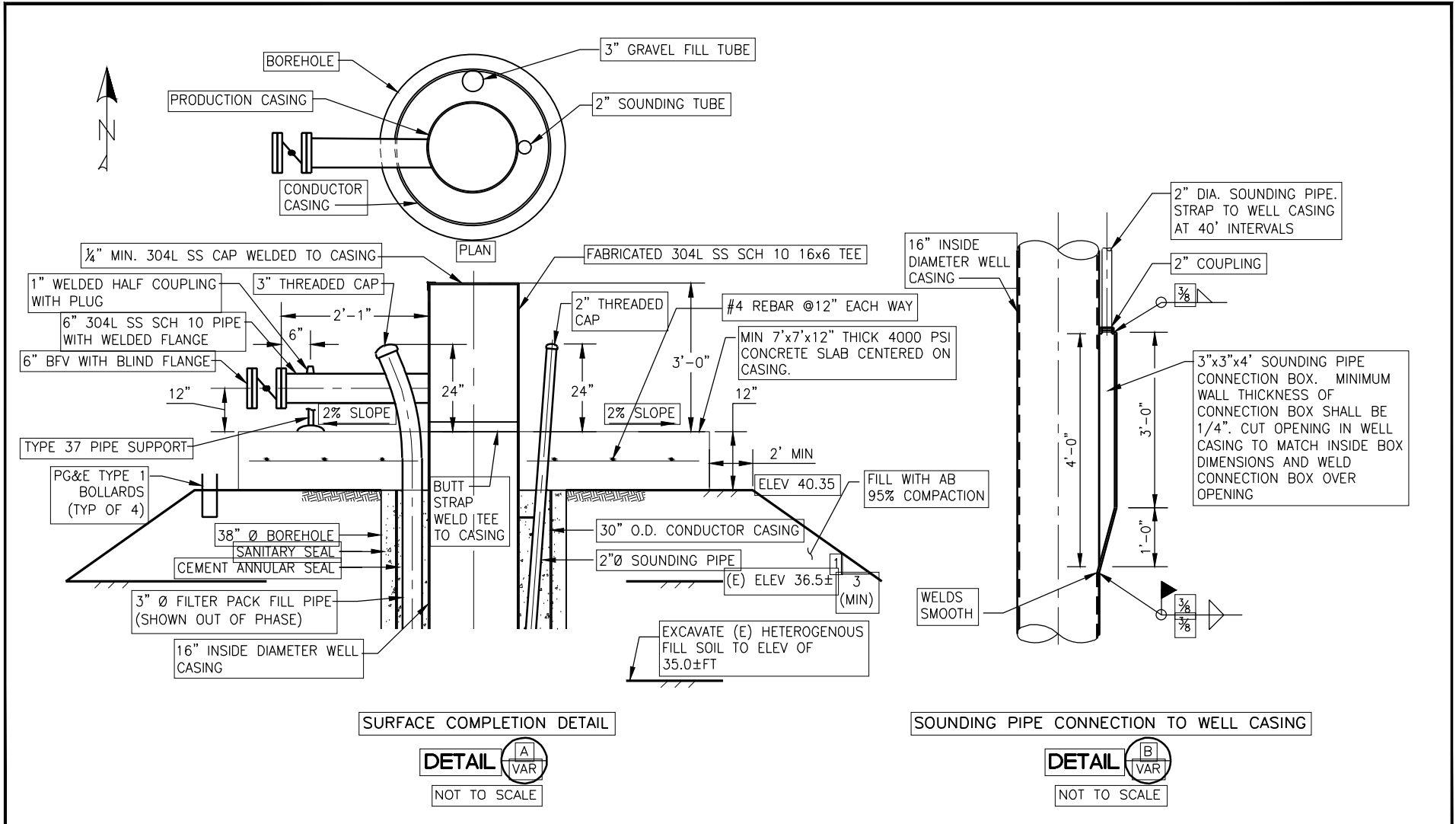
DRAWN BY: AMR	APPROVED BY: KLL	
DATE: 10/29/2019	DATE: 10/29/2019	PROJ. NO.: 270-12-18-12



**Exhibit 2**

**PROPOSED WELL DESIGN**

City of Milpitas  
McCandless Park Well  
Technical Specifications



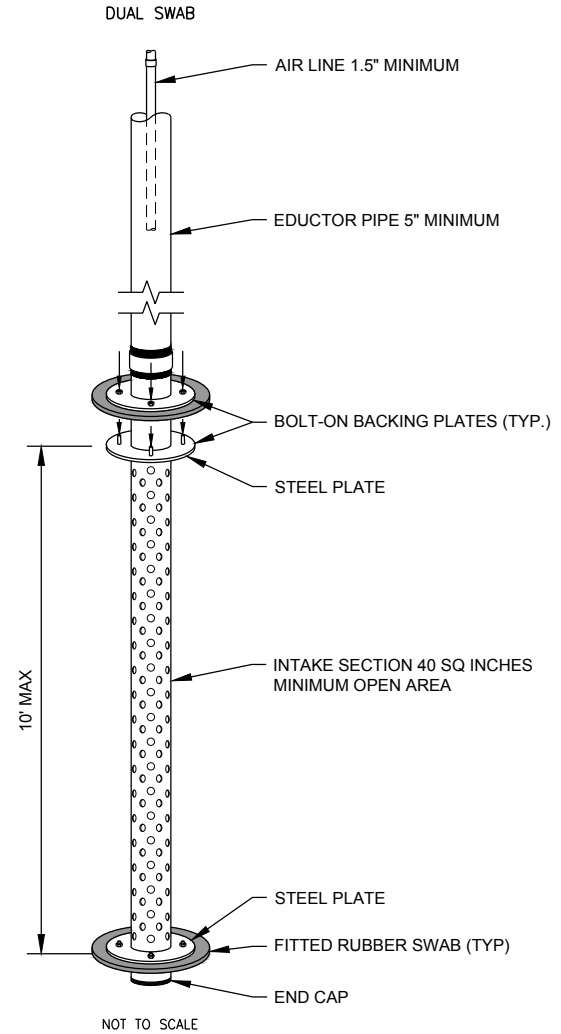
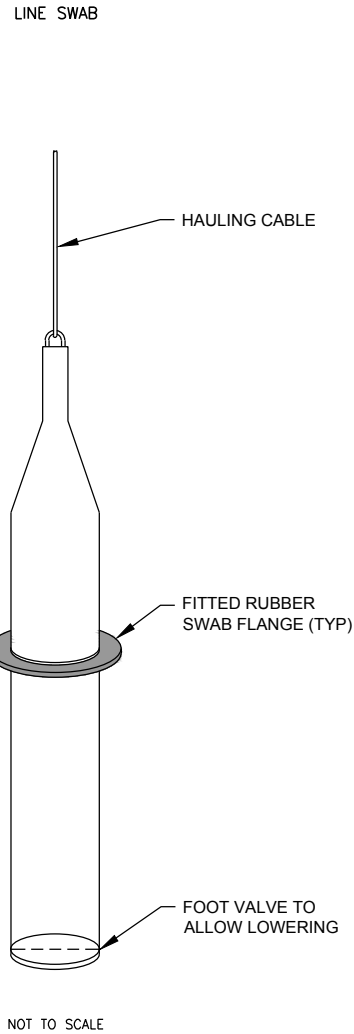
**NOTES:**

- UPON COMPLETION OF WELL TESTING ACTIVITIES, THE WELL CASING SHALL BE SEALED WITH A WATER-TIGHT WELD, AND THE THREADED CAPS ON THE GRAVEL FILL AND SOUNDING PIPES SHALL BE WATER TIGHT AND TACK-WELDED IN PLACE.
- EXCAVATION OF HETEROGENEOUS MATERIAL IN A 20 FT. BY 20 FT. AREA AROUND THE WELL, PLACEMENT AND COMPACTION OF AGGREGATE BASE, AND CONSTRUCTION OF CONCRETE APRON FOR SURFACE COMPLETION SHALL BE PER CALTRANS 2010 STANDARD SPECIFICATION.



**EXHIBIT 3**  
**WELL CONSTRUCTION**  
**DETAILS**  
CITY OF MILPITAS  
McCANDLESS PARK WELL  
TECHNICAL SPECIFICATIONS

JOB NUMBER 270-12-18-12
DRAWING NUMBER 3
SHEET NUMBER 3 OF 4



**EXHIBIT 4**

**LINE SWAB AND DUAL SWAB TOOLS**

CITY OF MILPITAS  
McCANDLESS PARK WELL  
TECHNICAL SPECIFICATIONS

JOB NUMBER  
270-12-18-12

DRAWING NUMBER  
**4**

SHEET NUMBER  
**4 OF 4**