

(space reserved for recording)

INTERAGENCY TEMPORARY LICENSE AGREEMENT

THIS INTERAGENCY TEMPORARY LICENSE AGREEMENT (the "Agreement") is made and entered into this ____ day of _____, 20__, by and between **City of Meridian**, a municipal corporation ("Licensee") and the ADA COUNTY HIGHWAY DISTRICT, a body politic and corporate of the state of Idaho, ("ACHD").

WITNESSETH:

For good and valuable consideration, the receipt and sufficiency of which is acknowledged by the parties:

SECTION 1. RECITALS.

1.1 City of Meridian ("Licensee") is a municipal corporation organized and existing under the laws of the State of Idaho.

1.2 ACHD owns and has exclusive jurisdiction over the public right-of-way located in Ada County, Idaho, municipally described as S. Recreation Avenue, Meridian, more particularly described and/or depicted on Exhibit "A" attached hereto (the "Right-of-Way").

1.3 Idaho Code § 67-2332 expressly authorizes the Licensee and ACHD to enter into agreements to perform any governmental service activity or undertaking that is authorized by law and within the power, privilege or authority of said agencies.

1.3 Licensee desires a license to use the Right-of-Way for the limited purposes hereinafter set forth, and, for the consideration and on the terms and conditions hereinafter set forth, ACHD is willing to extend such license to Licensee.

SECTION 2. LICENSE; LICENSE NOT EXCLUSIVE.

2.1 On the terms and conditions hereinafter set forth, ACHD hereby extends to Licensee a license on, over, across and under the Right-of-Way for the following uses and purposes ("Authorized Use") and no others:

Licensee is to construct, install and maintain features consisting of trees, grass, perennials, and landscape irrigation system per Exhibit B and the ACHD approved civil drawings located within ACHD right-of-way and easements along S. Recreation Avenue. In general, coniferous trees are prohibited within the right-of-way. If allowed, the tree or shrub must be less than 3' in height at maturity. Final grading of landscaped areas shall slope away from right-of-way "hardscape" improvements including the edge of pavement, curbing and sidewalks. In general, licensee to install landscaping and

sprinklers in a manner to eliminate irrigation flows and/or ponding of irrigation water within the ACHD Right of Way. Licensee shall observe the 40-foot sight triangle and will not plant any shrubs or trees within the area or over any utility lines. All trees in the public right-of-way shall be maintained by Licensee for clearance of 14 feet over all roadways as measured at the gutter plate, and 8 feet over all sidewalks. Licensee to contact Digline Inc., prior to start of construction. Licensee to contact Construction Services at 387-6280 to verify if a construction permit is required.

2.2 This Agreement does not extend to Licensee the right to use the Right-of-Way to the exclusion of ACHD for any use within its jurisdiction, authority and discretion or of others to the extent authorized by law to use public right-of-way. If the Right-of-Way has been opened as a public Highway (as used in the Agreement the term "Highway" is as defined in *Idaho Code* § 40-109(5)) Licensee's Authorized Use is subject to the rights of the public to use the Right-of-Way for Highway purposes. Licensee's Authorized Use is also subject to the rights of holders of easements of record or obvious on inspection of the Right-of-Way and statutory rights of utilities to use the public right-of-way. This Agreement it is not intended to, and shall not, preclude or impede the ability of ACHD to enter into other similar agreements in the future allowing third parties to also use its public rights-of-way, or the ability of ACHD to redesign, reconstruct, relocate, maintain and improve its public rights-of-way and Highways as authorized by law and as it determines, in its sole discretion, is appropriate.

SECTION 3. CONSTRUCTION, OR INSTALLATION OF IMPROVEMENTS. Any repairs or maintenance, of the Licensee's improvements currently located in the Right-of-Way or the installation or construction of improvements by Licensee in the Right-of-Way as permitted by the Authorized Use, (the "Improvements"), shall be accomplished in accordance with designs, plans and specifications approved in advance and in writing by ACHD as required to satisfy applicable laws, its policies and good engineering practices. In approving such plans and specifications, ACHD assumes no responsibility for any deficiencies or inadequacies in the design or construction of the Improvements, and the responsibility therefor shall be and remain in Licensee.

SECTION 4. WAIVER AND ESTOPPEL STATEMENT BY LICENSEE. Licensee acknowledges and agrees that the license granted herein is temporary, and merely a permissive use of the Right-of-Way pursuant to this Agreement. Licensee further acknowledges and agrees that it specifically assumes the risk that the license pursuant to this Agreement may be terminated before Licensee has realized the economic benefit of the cost of installing, constructing, repairing, or maintaining the Improvements, and Licensee hereby waives and estoppels itself from asserting any claim that the license is in any way irrevocable because Licensee has expended funds on the Improvements and the Agreement has not been in effect for a period sufficient for Licensee to realize the economic benefit from such expenditures.

SECTION 5. TERM.

5.1 The term of this Agreement will commence on the ____ day of _____, 20____, and will continue until terminated by either party, with or without cause, which termination shall be effective following THIRTY (30) DAYS advance written notice of termination given to the other party. Upon expiration of the THIRTY DAYS, ACHD shall record a Revocation of License Agreement in the Official Real Property Records of Ada County, Idaho.

5.2 If Licensee defaults in the performance of any obligations incumbent upon it to perform hereunder ACHD may terminate this Agreement and the rights extended to Licensee

hereunder at any time, effective at the end of thirty (30) days following the date ACHD shall provide written notice of termination to Licensee, which notice shall specify such default(s). Licensee shall have such thirty (30) day period to correct and cure the specified defaults, and if so corrected and cured, to the satisfaction of ACHD, this Agreement shall not be terminated but shall continue in full force and effect.

SECTION 6. FEE. There is no annual fee for the Licensee's Authorized Use of the Right-of-Way under this Agreement.

SECTION 7. MAINTENANCE: FAILURE TO MAINTAIN; RELOCATION OF UTILITIES.

7.1 At its sole cost and expense, Licensee shall maintain the Improvements in good condition and repair and as required to satisfy applicable laws, the policies of ACHD and sound engineering practices. Licensee shall have access over, across and under the Right-of-Way for the purposes of accomplishing such repair and maintenance.

7.2 If the Highway on and/or adjacent to the Right-of-Way is damaged as a result of:

- (i) the performance by Licensee of the maintenance required by section 7, or the failure or neglect to perform such maintenance; and/or
- (ii) Licensee's design, installation or use of the Improvements, regardless of cause;

at its sole cost and expense Licensee shall forthwith correct such deficiency and restore the Highway and the surface of the Right-of-Way to the same condition it was in prior thereto, and if Licensee shall fail or neglect to commence such correction and restoration within twenty-four (24) hours of notification thereof, ACHD may proceed to do so, in which event Licensee agrees to reimburse ACHD for the costs and expenses thereof, including, without limitation, reasonable compensation for the use of staff and equipment of ACHD.

7.3 Notwithstanding the provisions of section 7.2, should an emergency exist related to the Licensee's use of this license which threatens the stability or function of the Highway on or adjacent to the Right-of-Way or the safety of the public use thereof, ACHD shall have the right to immediately perform, on behalf of, and at the cost of Licensee necessary emergency repairs.

7.4 Licensee will be responsible for the relocation of any existing utilities located on the Right-of-Way as may be required in connection with any construction or installation of Improvements by Licensee in the Right-of-Way.

SECTION 8. RELOCATION OF IMPROVEMENTS. If during the term of this Agreement ACHD requires, in its sole discretion, at any time, and from time to time, that the Highway on and/or adjacent to the Right-of-Way be widened and/or realigned, redesigned, improved and/or reconstructed, Licensee hereby accepts responsibility for all costs for relocating, modifying or otherwise adapting the Improvements to such realignment and/or relocation and/or reconstruction if required by ACHD, which shall be accomplished by Licensee according to designs, plans and specifications approved in advance by ACHD in writing; provided ACHD gives Licensee adequate written notice as necessary to allow Licensee to redesign, relocate, modify or adapt the Improvements to the realignment and/or relocation and/or reconstruction of the Highway and also licenses Licensee such additional area of its right-of-way, if any, as may be necessary for the proper operation of the Improvements.

SECTION 9. PERMIT. If the proposed construction and installation of the Improvements, or any reconstruction, relocation or maintenance thereof requires Licensee to obtain a permit under ACHD policies, Licensee shall first obtain such permit from ACHD (Construction Services Division) before commencing such work, and pay the required fees and otherwise comply with the conditions set forth therein.

SECTION 10. NO TITLE IN LICENSEE. Except as expressly provided herein, the terms and conditions of this Agreement shall not create any type of property right, title or interest in Licensee in or to the Right-of-Way other than the right to temporarily use the same pursuant to the terms of this Agreement.

SECTION 11. NO COSTS TO ACHD. Any and all costs and expenses associated with Licensee's Authorized Use of the Right-of-Way, or any construction or installation of Improvements thereon, or the repair and maintenance thereof, or the relocation of Improvements or utilities thereon, or the restoration thereof at the termination of this Agreement, shall be at the sole cost and expense of Licensee.

SECTION 12. TAXES AND ASSESSMENTS. Licensee agrees to pay all special assessments and personal property taxes that may be levied and assessed on the Improvements during the term of this Agreement.

SECTION 13. RESTORATION ON TERMINATION. Upon termination of this Agreement, Licensee will promptly remove all Improvements and restore the Right-of-Way to at least its present condition, less ordinary wear and tear. Should Licensee fail or neglect to promptly remove the Improvements and restore the Right-of-Way, ACHD may do so, and assess Licensee for the costs thereof. Provided, ACHD and Licensee may agree in writing that some or all of such Improvements are to remain on the Right-of-Way following termination, and by entering into such an agreement Licensee thereby disclaims all right, title and interest in and to the same, and hereby grants such Improvements to ACHD, at no cost. Further provided, if the Authorized Use of the Right-of-Way under this Agreement is for landscaping in ACHD right-of-way and the irrigation and maintenance thereof, and the general purpose government with jurisdiction has adopted ordinances, rules and regulations governing the landscaping and maintenance of such right-of-way by owners of the adjacent property, to the extent such owners are obligated to maintain and irrigate the landscaping Licensee need not remove the same from the Right-of-Way.

SECTION 14. INDEMNIFICATION. To the extent permitted by law, Licensee covenants and agrees to indemnify and hold ACHD harmless from and against any and all claims or actions for loss, injury, death, damages, mechanics and other liens, arising out of the failure or neglect of Licensee, Licensee's employees, contractors and agents, to properly and reasonably make Authorized Use of the Right-of-Way or properly construct, install, plant, repair or maintain the Improvements thereon, or that otherwise result from the use and occupation of the Right-of-Way by Licensee, and including any attorney fees and costs that may be incurred by ACHD in defense of such claims or actions indemnified against by Licensee hereunder. For claims or actions arising out of failures or neglects occurring during the term of this Agreement Licensee's obligations pursuant to this section shall survive the termination of this Agreement.

SECTION 15. COMPLIANCE WITH LAW; WASTE AND NUISANCES PROHIBITED. In connection with Licensee's use of the Right-of-Way, throughout the term of this Agreement Licensee covenants and agrees to: (i) comply and observe in all respects any and all, federal, state and local statutes, ordinances, policies, rules and regulations, including, without limitation,

SECTION 22. Warranty of Authority to Execute.

22.1 The person executing this Agreement on behalf of ACHD represents and warrants due authorization to do so on behalf of ACHD, and that upon execution of this Agreement on behalf of ACHD, the same is binding upon, and shall inure to the benefit of, ACHD.

22.2 If Licensee is not a natural person, the person executing the Agreement on behalf of Licensee represents and warrants due authorization to do so on behalf of Licensee, and that upon execution of this Agreement on behalf of Licensee, the same is binding upon, and shall inure to the benefit, of Licensee.

IN WITNESS WHEREOF, the undersigned have caused this Agreement to be executed the day, month and year first set forth above.

[Space left intentionally blank]

ADA COUNTY HIGHWAY DISTRICT

Kent Goldthorpe, President

Attest by Bruce S. Wong, Director

STATE OF IDAHO)
) ss.
County of Ada)

This record was acknowledged before me on _____, 20__ by Kent Goldthorpe and Bruce S. Wond on behalf of the Ada County Highway District, in their capacities as Commission President and Director, respectively.

Signature of notary public

My commission expires: _____

EXHIBITS

- Exhibit A- Description of Licensee's property
- Exhibit B- Depiction of ACHD Right-of-Way
- Exhibit C- Authorized Use of Right-of-Way



ADA COUNTY RECORDER J. DAVID NAVARRO AMOUNT 6.00 2
BOISE IDAHO 05/15/09 04:20 PM
DEPUTY Vicki Allen
RECORDED - REQUEST OF
Pioneer
109056418

8151 W. Rifleman Ave. / Boise
Idaho 83704 / (208) 377-2700

Exhibit A

303702 -JEM/GL

WARRANTY DEED

For Value Received Gregory
~~Greg~~ B. Johnson and Heidi M. Johnson, Husband and Wife

hereinafter referred to as Grantor, does hereby grant, bargain, sell, warrant and convey unto

City of Meridian, an Idaho Municipal Corporation

hereinafter referred to as Grantee, whose current address is 33 E. Broadway Ave, Meridian, Id 83642

the following described premises, to-wit:

SEE EXHIBIT A ATTACHED HERETO AND MADE A PART HEREOF.

Together with all appurtenant water rights, including surface water from New York Irrigation District for irrigation of approximately 77 acres and a portion of water right 63-11703 consisting of 0.78 cfs and 337.5 afa for irrigation of 75 acres

To HAVE AND TO HOLD the said premises, with their appurtenances unto the said Grantee(s), and Grantees(s) heirs and assigns forever. And the said Grantor(s) does (do) hereby covenant to and with the said Grantee(s), the Grantor(s) is/are the owner(s) in fee simple of said premises; that said premises are free from all encumbrances EXCEPT those to which this conveyance is expressly made subject and those made, suffered or done by the Grantee(s); and subject to U.S. Patent reservations, restrictions, dedications, easements, rights of way and agreements, (if any) of record, and current years taxes, levies, and assessments, includes irrigation and utility assessments, (if any) which are not yet due and payable, and that Grantor(s) will warrant and defend the same from all lawful claims whatsoever.

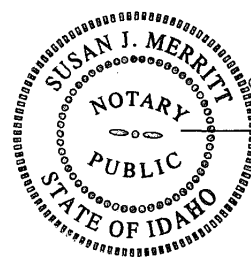
Dated: May 11, 2009

Gregory B. Johnson

Heidi M. Johnson

STATE OF Idaho, County of Ada, ss.

On this 15 day of May, in the year of 2009, before me the undersigned, notary public personally appeared Gregory B. Johnson and Heidi M. Johnson known or identified to me to be the person/persons whose name is/are subscribed to the within instrument, and acknowledged to me that he/she/they executed the same.



Susan J. Merritt
Notary Public of Idaho
Residing at Caldwell
Commission expires May 5, 2011
MY COMMISSION EXPIRES 05-05-2011

EXHIBIT A

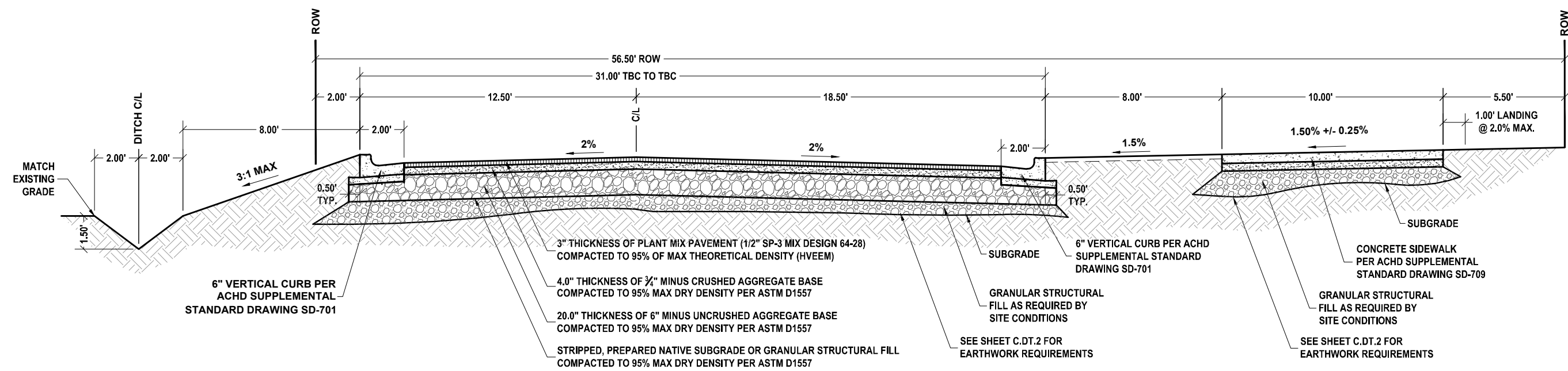
PARCEL 2410:

A portion of the East half of the Northwest quarter of Section 5, Township 2 North, Range 1 East, Boise Meridian, Ada County, Idaho more particularly described as follows:

Commencing at the North quarter corner of said Section 5 from which the West 1/16 corner of said Section 5 bears North 89°58'22" West, 1331.92 feet;
Thence along the North-South centerline of said Section 5, South 00°01'18" West, 500.00 feet to the REAL POINT OF BEGINNING;
Thence continuing along said North-South centerline South 00°01'18" West, 2174.91 feet to the C1/4 corner of said Section 5;
Thence along the East-West centerline of said Section 5 North 89°52'48" West, 1329.59 feet to the C-W1/16 corner of said Section 5;
Thence along the West boundary line of the East half of the Northwest quarter of said Section 5 North 00°01'41" West, 2672.76 feet to the West 1/16 corner of said Section 5;
Thence along the North boundary line of said Section 5 South 89°58'22" East, 983.43 feet;
Thence leaving said North boundary line South 00°02'18" West, 500.00 feet;
Thence South 89°58'22" East, 348.63 feet to the REAL POINT OF BEGINNING.

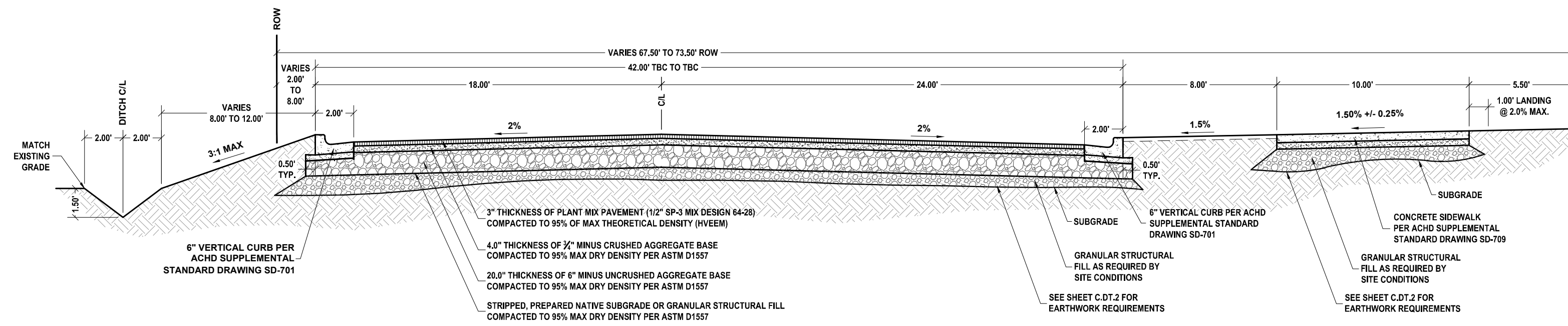
INITIAL





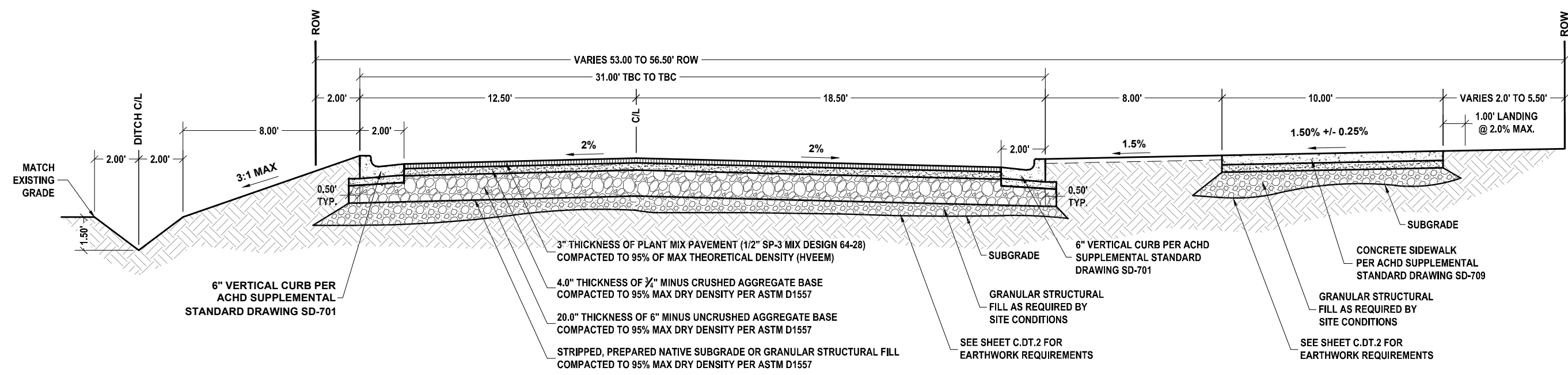
ROADWAY SECTION #1 - S. RECREATION AVE. STA 6+44.92 TO 8+22.09

1
C.R.D.0



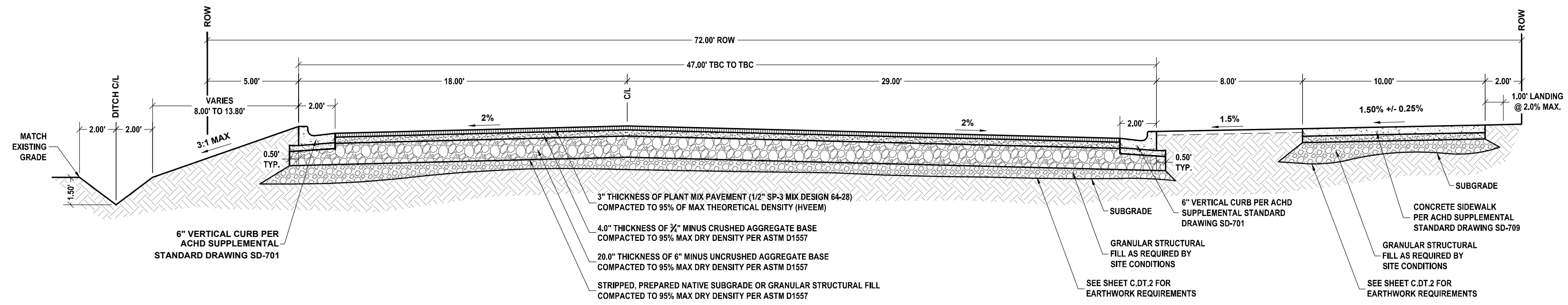
ROADWAY SECTION #2 - S. RECREATION AVE. STA 9+47.21 TO 11+35.11

2
C.R.D.0



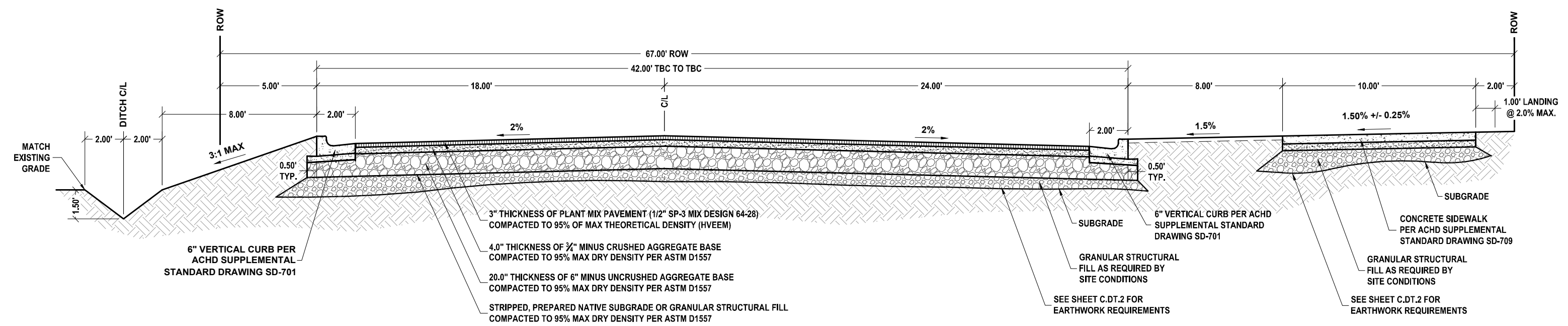
ROADWAY SECTION #3 - S. RECREATION AVE. STA 12+64.64 TO 15+29.40

3
C.R.D.0



ROADWAY SECTION #4 - S. RECREATION AVE. STA 16+96.49 TO 17+96.49

4
C.R.D.0

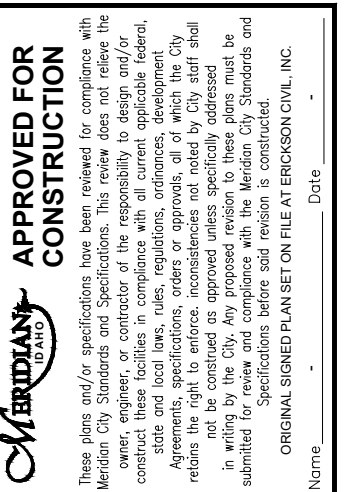


ROADWAY SECTION #5 - S. RECREATION AVE. STA 18+88.49 TO 19+03.49

5
C.R.D.0

NOTES:

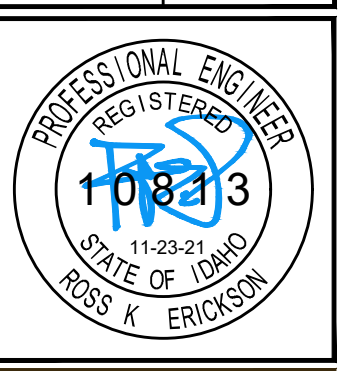
1. ALL ASPHALT PAVEMENTS AND BASE MATERIALS, AND SUB-GRADE PREPARATIONS SHALL BE PROVIDED IN ACCORDANCE WITH THE ISPPWC AND THE ACHD SUPPLEMENTAL SPECIFICATIONS APPLICABLE THERETO. SEE SHEET C.D.T.2 FOR ADDITIONAL EARTHWORK REQUIREMENTS.
2. THE ASPHALT PAVEMENT MIX DESIGN SHALL BE A SUPERPAVE 1/2" MIX DESIGN (PG-64-28) AND MEET THE REQUIREMENTS OF SP-3 PER ISPPWC SECTION 810 "PLANT MIX PAVEMENT".
3. AGGREGATE BASE MATERIALS (3/4" MINUS CRUSHED AGGREGATE & 6" MINUS UNCRUSHED AGGREGATE) MATERIALS SHALL COMPLY WITH DIVISION 800 OF THE ISPPWC.
4. ALL SUBGRADES, STRUCTURAL FILL MATERIALS AND PLACEMENTS SHALL BE APPROVED BY ACHD PRIOR TO COVERING UP THE WORK OR PLACING SUBSEQUENT LIFTS.
5. ASPHALT PAVEMENT SHALL BE COMPACTED IN ACCORDANCE WITH THE ISPPWC AND THE ACHD SUPPLEMENTAL SPECIFICATIONS TO THE ISPPWC. DENSITY TESTING SHALL BE PERFORMED RANDOMLY ACROSS THE SITE AT A FREQUENCY TO BE DETERMINED BY THE OWNER'S GEOTECHNICAL REPRESENTATIVE.
6. THE ROADWAY SUBGRADE SHALL EXTEND 6-INCHES BEHIND THE BACK OF CURB.



APPROVED FOR CONSTRUCTION
 THESE PLANS AND SPECIFICATIONS HAVE BEEN REVIEWED FOR COMPLIANCE WITH THE PROFESSIONAL ENGINEERING ACT AND RULES OF THE BOARD OF PROFESSIONAL ENGINEERS AND SURVEYORS OF THE STATE OF IDAHO. THE REVIEWING ENGINEER'S SIGNATURE AND SEAL SHALL BE AFFIXED TO THESE PLANS AND SPECIFICATIONS IN ACCORDANCE WITH THE PROFESSIONAL ENGINEERING ACT AND RULES OF THE BOARD OF PROFESSIONAL ENGINEERS AND SURVEYORS OF THE STATE OF IDAHO. THE REVIEWING ENGINEER'S SIGNATURE AND SEAL SHALL BE AFFIXED TO THESE PLANS AND SPECIFICATIONS IN ACCORDANCE WITH THE PROFESSIONAL ENGINEERING ACT AND RULES OF THE BOARD OF PROFESSIONAL ENGINEERS AND SURVEYORS OF THE STATE OF IDAHO. THE REVIEWING ENGINEER'S SIGNATURE AND SEAL SHALL BE AFFIXED TO THESE PLANS AND SPECIFICATIONS IN ACCORDANCE WITH THE PROFESSIONAL ENGINEERING ACT AND RULES OF THE BOARD OF PROFESSIONAL ENGINEERS AND SURVEYORS OF THE STATE OF IDAHO.



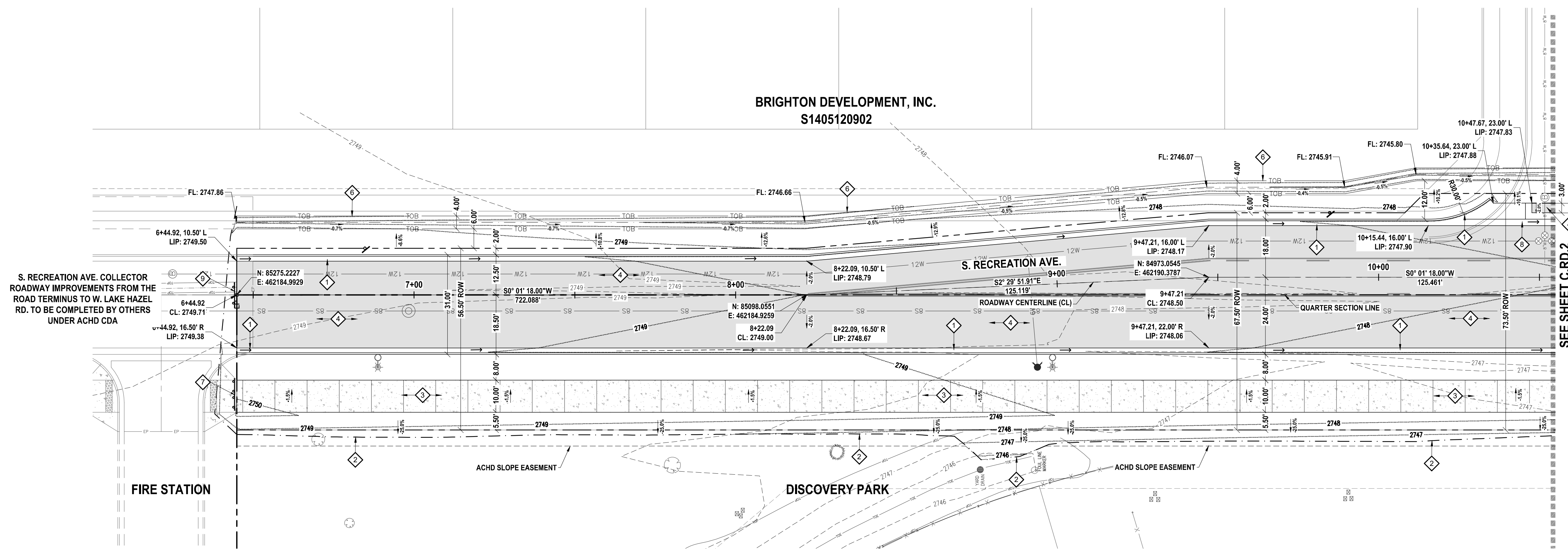
Plans Are Accepted For Public Street Construction
 CITY OF MERIDIAN
 PROJECT TITLE: DISCOVERY PARK PHASE 2
 MERIDIAN, ID



6213 N. Cloverdale Rd.
 Suite 125
 Boise, ID 83704
 1-208-846-8966
 c. 208.867.8954
 fcs@ericsoncivil.com
 erikson CIVIL

NO.	REVISION	DATE

PROJECT MANAGER: ERICSON CIVIL, INC.
 PREPARED BY: ERICSON CIVIL, INC.
 DATE: 09/28/21
 SHEET NUMBER: IDB19075
 SHEET NUMBER: C.R.D.0



S. RECREATION AVE. (STA 6+44.92 TO 10+55)

Keyed Notes

- 6" VERTICAL CURB AND GUTTER (TBC) PER ACHD SUPPLEMENTAL STANDARD DRAWING SD-701.
- CATCH SLOPE LIMIT.
- CONCRETE SIDEWALK PER ACHD SUPPLEMENTAL STANDARD DRAWING SD-709.
- ASPHALT PAVEMENT (COLLECTOR ROADWAY) - SEE SHEET C.R.D.0.
- NOT USED.
- CONSTRUCT DITCH - (SEE C.R.D.0).
- 10' WIDE TYPE-II SIDEWALK TERMINUS BARRICADE PER ACHD STANDARDS. BARRICADES SHALL HAVE THICKENED EDGE ALUMINUM W/6" WIDE RETRO-REFLECTIVE RED/WHITE DIAGONAL DECALS. PAINTED SIGNS ARE NOT ALLOWED. BARRICADE MUST HAVE A KICK PLATE AT THE BOTTOM TO PROVIDE CANE DETECTION.
- CONCRETE VALLEY GUTTER PER ACHD SUPPLEMENTAL DRAWING SD-708.
- TYPE-III SIDEWALK TERMINUS BARRICADE PER ACHD STANDARDS.

Notes

- CONTACT ACHD INSPECTION SERVICES AT 208.387.6284 A MINIMUM OF 24 HOURS PRIOR TO REQUESTING INSPECTION.
- ABANDONED BUILDINGS, TEST PITS, OR WATERWAYS LOCATED WITHIN CURRENT OR FUTURE RIGHT-OF-WAY SHALL BE RE-EXCAVATED TO NATIVE SOIL AND BACKFILLED WITH STRUCTURAL FILL PER ISPMWC SPECIFICATIONS. PROVIDE SOILS DATA TO VERIFY NATIVE MATERIAL MEETS THE REQUIREMENTS FOR ENGINEERED FILL PER ISPMWC SPECIFICATIONS AND PROVIDE A COPY OF THE COMPACTION TEST REPORTS.
- PROVIDE TYPE-P SURFACE RESTORATION FOR UTILITY WORK WITHIN ASPHALT PAVEMENT AREAS.
- PROVIDE ALL TEMPORARY IRRIGATION DITCHES AND PIPES AS REQUIRED TO COMPLETE THE NEW IMPROVEMENTS. ALL EXISTING DITCHES SHALL HAVE TEMPORARY REROUTING PROVISIONS SUCH THAT THE FLOW OF IRRIGATION WATER, AND DRAINAGE OF SURFACE WATER ACROSS THE SITE REMAIN UNINTERRUPTED THROUGHOUT THE DURATION OF CONSTRUCTION.



S. RECREATION AVE. - (STA 6+44.92 TO 10+55)

APPROVED FOR CONSTRUCTION

These plans and specifications have been reviewed for compliance with the applicable laws, rules, regulations, ordinances, and standards of the City of Meridian, Idaho. The engineer's approval does not constitute a warranty or guarantee of the accuracy or completeness of the information provided herein. The engineer's approval is limited to the work shown on these plans and specifications. The contractor is responsible for obtaining all necessary permits and for complying with all applicable laws, rules, regulations, ordinances, and standards of the City of Meridian, Idaho. The engineer's approval is not intended to constitute a warranty or guarantee of the accuracy or completeness of the information provided herein. The engineer's approval is limited to the work shown on these plans and specifications. The contractor is responsible for obtaining all necessary permits and for complying with all applicable laws, rules, regulations, ordinances, and standards of the City of Meridian, Idaho.

Plans Are Accepted For Public Street Construction

By accepting and signing the improvement plans, the Registered Professional Engineer, or other person authorized by the City of Meridian, Idaho, is certifying that the plans and specifications conform to the applicable laws, rules, regulations, ordinances, and standards of the City of Meridian, Idaho. The engineer's approval is limited to the work shown on these plans and specifications. The contractor is responsible for obtaining all necessary permits and for complying with all applicable laws, rules, regulations, ordinances, and standards of the City of Meridian, Idaho.

811

CONTACT DGLINE 48-HOURS BEFORE DIGGING 1-800-342-1585

OWNER: CITY OF MERIDIAN

PROJECT TITLE: DISCOVERY PARK PHASE 2

MERIDIAN, ID

PROFESSIONAL ENGINEER

11-23-21

108213

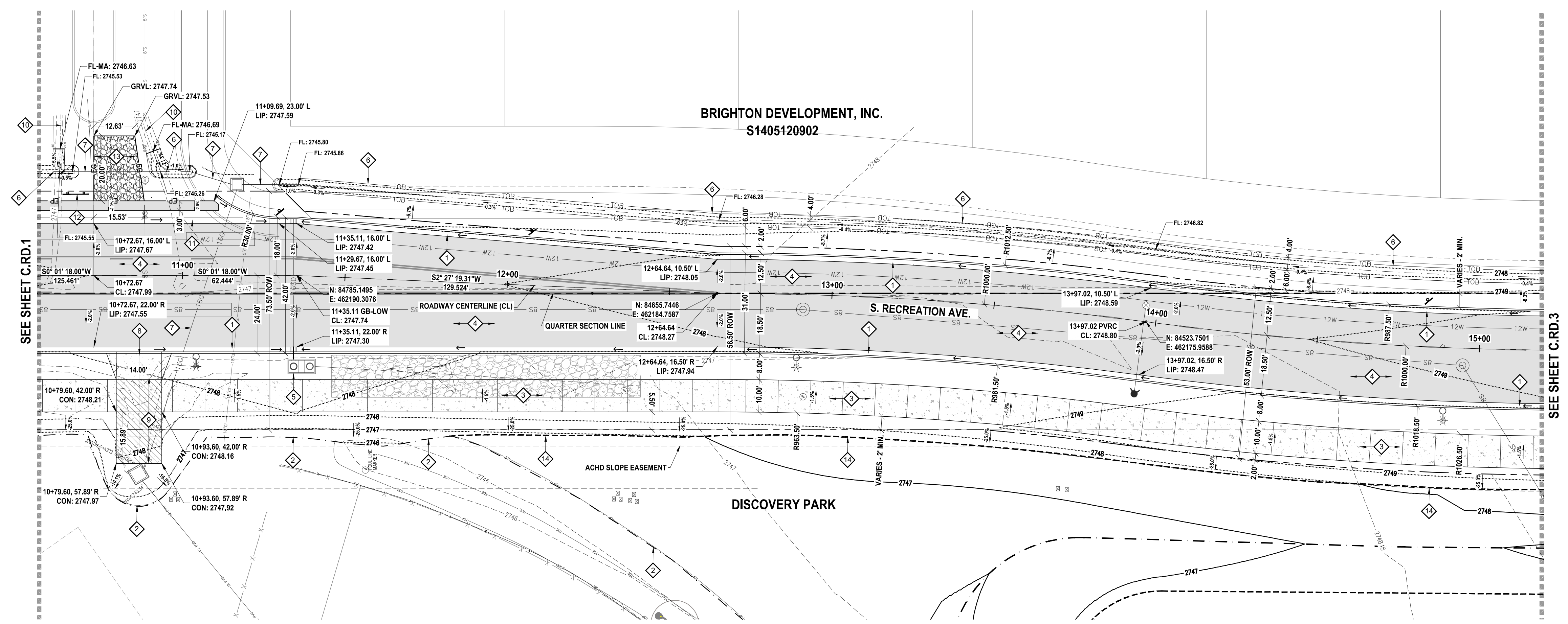
STATE OF IDAHO

KESS K. ERICKSON

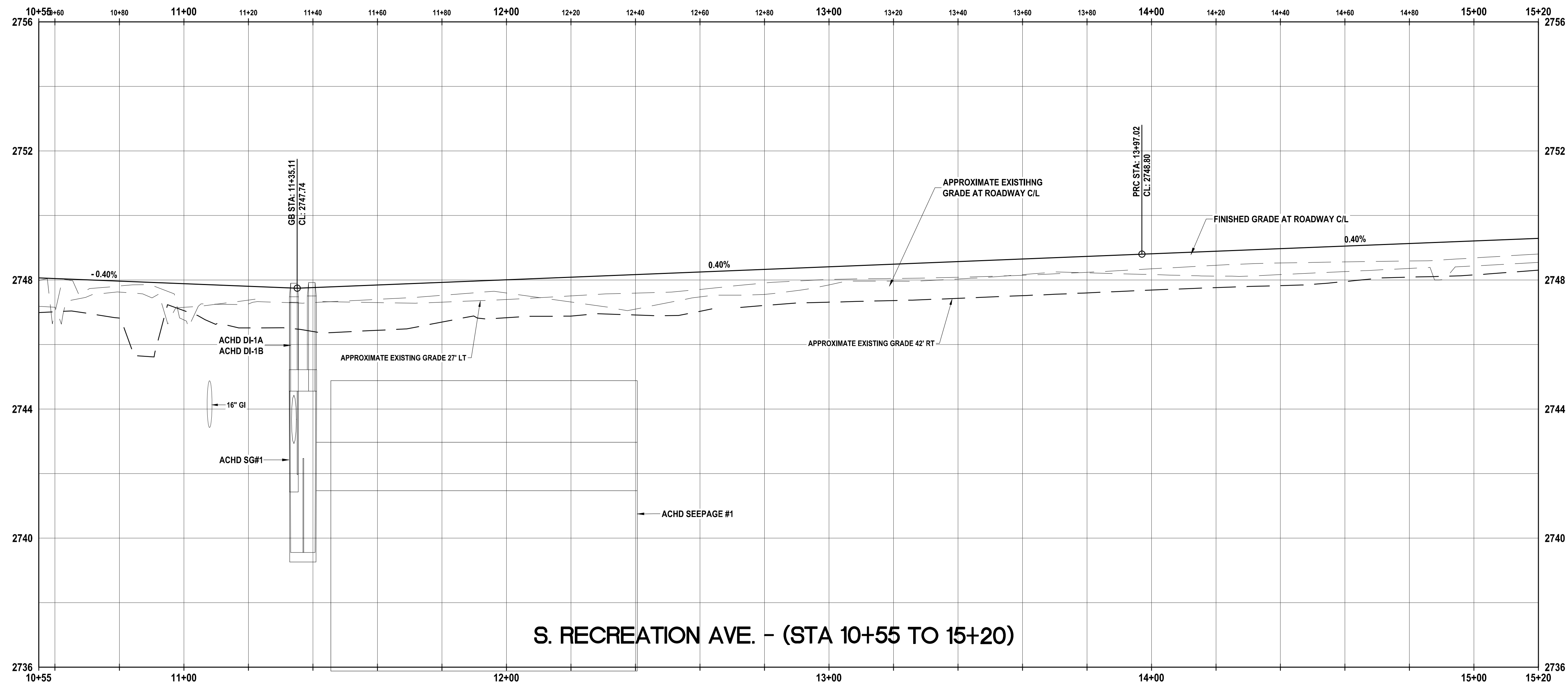
6213 N. Cloverdale Rd.
Suite 125
Boise, ID 83604-8956
1-208-846-8956
1-208-867-8954
1-208-867-8954
1-208-867-8954
1-208-867-8954

etokson CIVIL

SHEET TITLE: ROADWAY - S. RECREATION AVE. (STA 6+44.92 TO 10+55)	
NO.	REVISION
PROJECT MANAGER:	DATE:
PREPARED BY: ERICKSON CIVIL, INC.	DATE: 09/29/21
JOB NUMBER: IDB19075	SHEET NUMBER: C.R.D.1
DRAWN BY: BRE	



S. RECREATION AVE. (STA 10+55 TO 15+20)



S. RECREATION AVE. - (STA 10+55 TO 15+20)

Keyed Notes

- 6" VERTICAL CURB AND GUTTER (TBC) PER ACHD SUPPLEMENTAL STANDARD DRAWING SD-701.
- CATCH SLOPE LIMIT.
- CONCRETE SIDEWALK PER ACHD SUPPLEMENTAL STANDARD DRAWING SD-709.
- ASPHALT PAVEMENT (COLLECTOR ROADWAY) - SEE SHEET C.R.D.0.
- SEE STORM DRAIN ON "SD" SHEETS.
- CONSTRUCT DITCH - (SEE SHEET C.R.D.0).
- SEE GI SHEETS FOR GRAVITY IRRIGATION REQUIREMENTS.
- CONCRETE VALLEY GUTTER WITH DETACHED SIDEWALK PER ACHD SUPPLEMENTAL STANDARD DRAWING SD-710C.
- IRRIGATION BOX ACCESS - 6" THICKNESS CONCRETE SIDEWALK PER ACHD SUPPLEMENTAL STANDARD DRAWING SD-709 WITHIN HATCHED AREA.
- RETAIN & PROTECT EXISTING DITCH.
- CONCRETE VALLEY GUTTER PER ACHD SUPPLEMENTAL DRAWING SD-708.
- TYPE-III ROADWAY TERMINUS BARRICADE PER ACHD STANDARDS. BARRICADE SHALL INCLUDE A SIGN THAT STATES "STREET TO BE EXTENDED IN THE FUTURE".
- TEMPORARY GRAVEL IRRIGATION ACCESS - 6" THICKNESS OF 3/4" MINUS AGGREGATE BASE COMPACTED TO 95% MAX DRY DENSITY.
- GRADE BREAK.

Notes

- CONTACT ACHD INSPECTION SERVICES AT 208.387.6284 A MINIMUM OF 24 HOURS PRIOR TO REQUESTING INSPECTION.
- ABANDONED BUILDINGS, TEST PITS, OR WATERWAYS LOCATED WITHIN CURRENT OR FUTURE RIGHT-OF-WAY SHALL BE RE-EXCAVATED TO NATIVE SOIL AND BACKFILLED WITH STRUCTURAL FILL PER ISPCW SPECIFICATIONS. PROVIDE SOILS DATA TO VERIFY NATIVE MATERIAL MEETS THE REQUIREMENTS FOR ENGINEERED FILL PER ISPCW SPECIFICATIONS AND PROVIDE A COPY OF THE COMPACTION TEST REPORTS.
- PROVIDE TYPE-P SURFACE RESTORATION FOR UTILITY WORK WITHIN ASPHALT PAVEMENT AREAS.
- PROVIDE ALL TEMPORARY IRRIGATION DITCHES AND PIPES AS REQUIRED TO COMPLETE THE NEW IMPROVEMENTS. ALL EXISTING DITCHES SHALL HAVE TEMPORARY REROUTING PROVISIONS SUCH THAT THE FLOW OF IRRIGATION WATER, AND DRAINAGE OF SURFACE WATER ACROSS THE SITE REMAIN UNINTERRUPTED THROUGHOUT THE DURATION OF CONSTRUCTION.

APPROVED FOR CONSTRUCTION

Plans Are Accepted For Public Street Construction

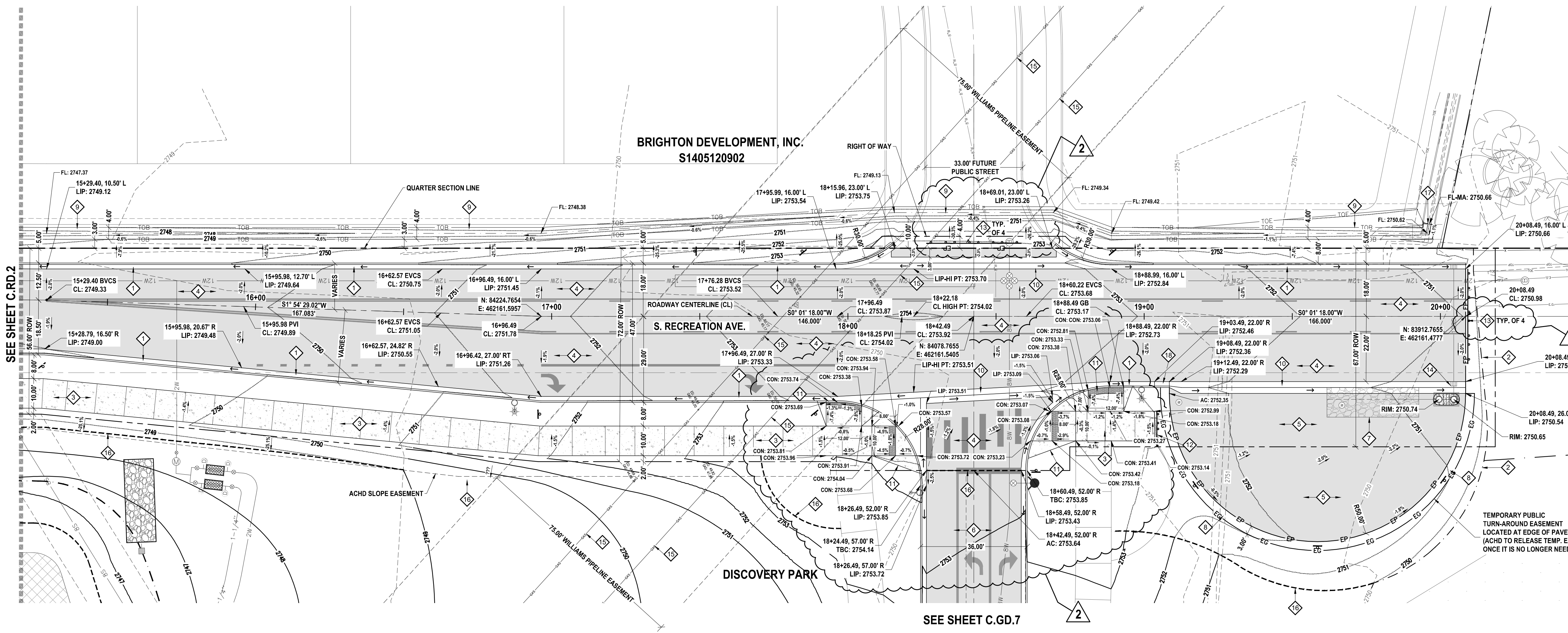
CONTACT DGLINE 48-HOURS BEFORE DIGGING 1-800-342-1585

CITY OF MERIDIAN
DISCOVERY PARK PHASE 2
MERIDIAN, ID

PROFESSIONAL ENGINEER
108213
STATE OF IDAHO
KESS K. ERICKSON

6213 N. Cloverdale Rd.
Suite 125
Boise, ID 83725
1-208-846-8956
1-208-867-8954
c208@ericksoncivil.com
ericksoncivil.com
erickson CIVIL

PROJECT TITLE: ROADWAY - S. RECREATION AVE. (STA 10+55 TO 15+20)	
NO.	REVISION
PROJECT MANAGER:	DATE
PREPARED BY: ERICKSON CIVIL, INC. FAX (208) 846-8956	DATE: 09/29/21
JOB NUMBER: IDB19075	SHEET NUMBER: C.R.D.2
DRAWN BY: BRE	



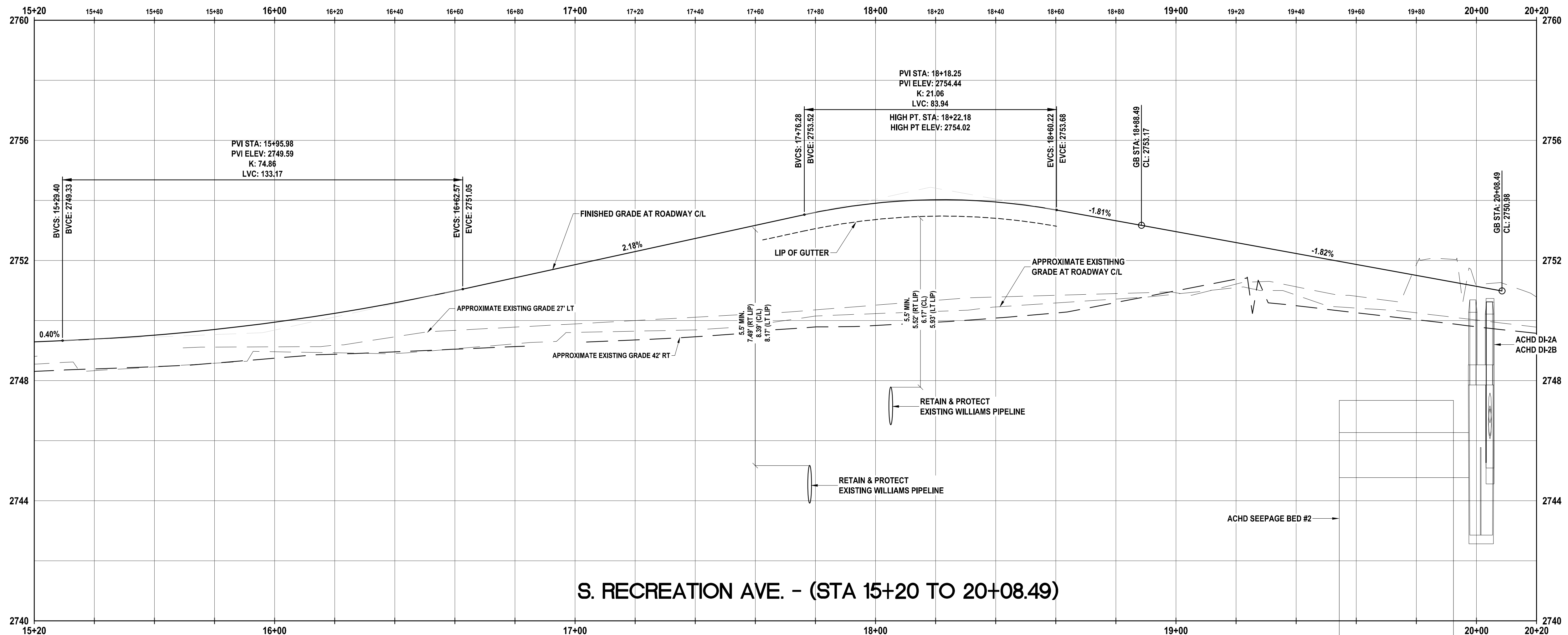
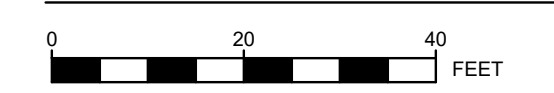
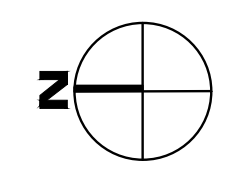
Keyed Notes

- 6" VERTICAL CURB AND GUTTER (TBC) PER ACHD SUPPLEMENTAL STANDARD DRAWING SD-701.
- CATCH SLOPE LIMIT.
- CONCRETE SIDEWALK PER ACHD SUPPLEMENTAL STANDARD DRAWING SD-709.
- ASPHALT PAVEMENT (COLLECTOR ROADWAY) - (SEE SHEET C.RD.0).
- TEMPORARY TURN AROUND ASPHALT PAVEMENT SECTION - (SEE 3/C.DT.9).
- ONSITE ASPHALT PAVEMENT SECTION - (SEE 3/C.DT.3).
- SEE STORM DRAIN ON "SD" SHEETS.
- GRAVEL SHOULDER - 6" THICKNESS OF 3/4" MINUS CRUSHED AGGREGATE BASE COMPACTED TO 95% MAX DRY DENSITY PER ASTM D698. SLOPE SHOULDER DOWNWARD AT 2% AWAY FROM PAVEMENT.
- CONSTRUCT DITCH - (SHEET RD.0).
- CONCRETE VALLEY GUTTER PER ACHD SUPPLEMENTAL DRAWING SD-708.
- CONCRETE PEDESTRIAN RAMP PER ISPWC SD-712C AND ADA STANDARDS. THE LONGITUDINAL SLOPE OF THE PEDESTRIAN RAMP SHALL NOT BE GREATER THAN 12:1; THE CROSS SLOPE MEASURED PERPENDICULAR TO TRAVEL SHALL NOT BE GREATER THAN 2.0% - NO TOLERANCE IS ALLOWED ABOVE THE MAX. SLOPES. PROVIDE TRUNCATED DOMES PER ISPWC SD-712. TRUNCATED DOMES SHALL BE TRAFFIC YELLOW.
- 10' WIDE TYPE-II SIDEWALK TERMINUS BARRICADE PER ACHD STANDARDS. BARRICADES SHALL HAVE THICKENED EDGE ALUMINUM W/6" WIDE RETRO-REFLECTIVE RED/WHITE DIAGONAL DECALS. PAINTED SIGNS ARE NOT ALLOWED. BARRICADE MUST HAVE A KICK PLATE AT THE BOTTOM TO PROVIDE CANE DETECTION.
- TYPE-III ROADWAY TERMINUS BARRICADE PER ACHD STANDARDS. BARRICADE SHALL INCLUDE A SIGN THAT STATES "THIS IS A DESIGNATED COLLECTOR ROADWAY. STREET WILL BE EXTENDED AND WIDENED IN THE FUTURE".
- SHAPE VALLEY GUTTER SO THAT ALL FLOW WITHIN THE VALLEY GUTTER ENTERS THE STORM DRAIN INLET.
- RETAIN & PROTECT EXISTING GAS LINES - SEE NOTE 1 ON THIS SHEET. CONTRACTOR SHALL COORDINATE WITH WILLIAMS PIPELINE AND DETERMINE THE EXISTING HORIZONTAL AND VERTICAL POSITION OF THE GAS LINES PRIOR TO START OF CONSTRUCTION.
- GRADE BREAK.
- MATCH EXISTING DITCH.
- CURB TERMINUS PER ACHD SUPPLEMENTAL STD. DWG SD-707.

Notes

- CONTRACTOR SHALL OBTAIN A COPY OF THE WILLIAMS PIPELINE DEVELOPER'S HANDBOOK PRIOR TO BID. ALL WORK WITHIN THE WILLIAMS PIPE LINE EASEMENT SHALL BE PERFORMED IN ACCORDANCE WITH THE CURRENT WILLIAMS DEVELOPER'S HANDBOOK - NO SEPARATE PAYMENT SHALL BE MADE.
- CONTACT ACHD INSPECTION SERVICES AT 208.387.6284 A MINIMUM OF 24 HOURS PRIOR TO REQUESTING INSPECTION.
- ABANDONED BUILDINGS, TEST PITS, OR WATERWAYS LOCATED WITHIN CURRENT OR FUTURE RIGHT-OF-WAY SHALL BE RE-EXCAVATED TO NATIVE SOIL AND BACKFILLED WITH STRUCTURAL FILL PER ISPWC SPECIFICATIONS. PROVIDE SOILS DATA TO VERIFY NATIVE MATERIAL MEETS THE REQUIREMENTS FOR ENGINEERED FILL PER ISPWC SPECIFICATIONS AND PROVIDE A COPY OF THE COMPACTION TEST REPORTS.
- PROVIDE TYPE-P SURFACE RESTORATION FOR UTILITY WORK WITHIN ASPHALT PAVEMENT AREAS.
- PROVIDE ALL TEMPORARY IRRIGATION DITCHES AND PIPES AS REQUIRED TO COMPLETE THE NEW IMPROVEMENTS. ALL EXISTING DITCHES SHALL HAVE TEMPORARY REROUTING PROVISIONS SUCH THAT THE FLOW OF IRRIGATION WATER, AND DRAINAGE OF SURFACE WATER ACROSS THE SITE REMAIN UNINTERRUPTED THROUGHOUT THE DURATION OF CONSTRUCTION.

S. RECREATION AVE. (STA 15+20 TO 20+08.49)



S. RECREATION AVE. - (STA 15+20 TO 20+08.49)

APPROVED FOR CONSTRUCTION

Plans Are Accepted For Public Street Construction

811 CONTACT DGLINE 48-HOURS BEFORE DIGGING 1-800-342-1585

CITY OF MERIDIAN

DISCOVERY PARK PHASE 2

PROJECT TITLE: MERIDIAN, ID

PROFESSIONAL ENGINEER REGISTRATION NO. 108243

11-23-21

ROSS K. ERICKSON

6213 N. Cloverdale Rd. Suite 125 Boise, ID 83606-9995
1-208-846-9995
c-208-867-9954
ross@ericksoncivil.com

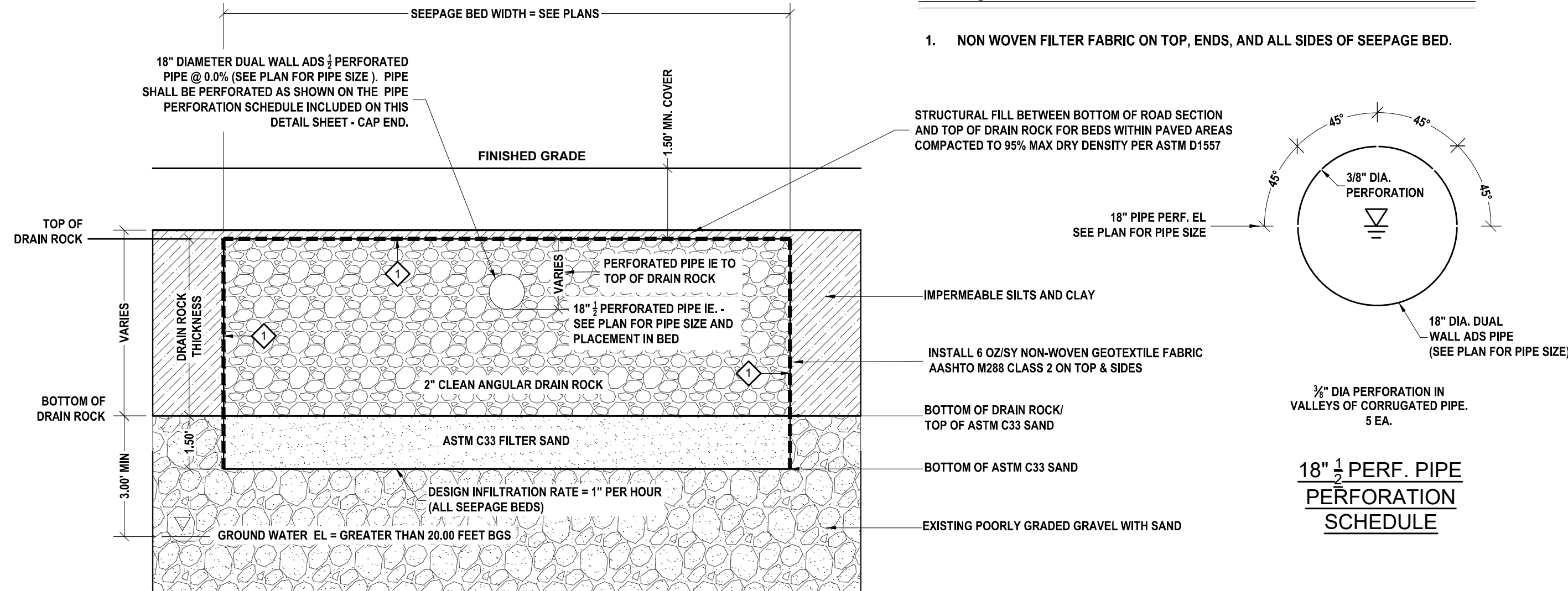
erickson CIVIL

ROADWAY - S. RECREATION AVE. (STA 15+20 TO 20+08.49)

NO.	REVISION	DATE
1	ACHD PLAN REVIEW COMMENTS #1	
2		

PROJECT MANAGER: ERICKSON CIVIL, INC.
PREPARED BY: ERICKSON CIVIL, INC.
DATE: 09/29/21
JOB NUMBER: **IDB19075**
SHEET NUMBER: **C.RD.3**

Keyed Notes



1. NON WOVEN FILTER FABRIC ON TOP, ENDS, AND ALL SIDES OF SEEPAGE BED.

STRUCTURAL FILL BETWEEN BOTTOM OF ROAD SECTION AND TOP OF DRAIN ROCK FOR BEDS WITHIN PAVED AREAS COMPACTED TO 95% MAX DRY DENSITY PER ASTM D1557

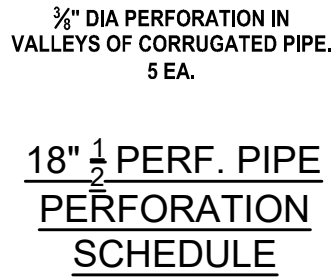
IMPERMEABLE SILTS AND CLAY

INSTALL 6 OZ/SY NON-WOVEN GEOTEXTILE FABRIC AASHTO M288 CLASS 2 ON TOP & SIDES

BOTTOM OF DRAIN ROCK/ TOP OF ASTM C33 SAND

BOTTOM OF ASTM C33 SAND

EXISTING POORLY GRADED GRAVEL WITH SAND



PERCOLATION TEST REQUIRED AT EACH ACHD SEEPAGE BED LOCATION:

- THE DESIGN PERCOLATION RATE FOR THE SEEPAGE BED INFILTRATION FACILITIES IS 1 INCH/HR. UNDER DIRECTION OF THE OWNER'S GEOTECHNICAL REPRESENTATIVE, CONTRACTOR SHALL CONDUCT A PERCOLATION TEST TO BE WITNESSED BY THE OWNER'S GEOTECHNICAL REPRESENTATIVE & ACHD. CONTRACTOR SHALL PROVIDE ALL WATER, AND OTHER MATERIALS REQUIRED TO PERFORM THE TEST. THE PERCOLATION TEST SHALL BE PERFORMED BY THE SOILS ENGINEER AFTER THE SEEPAGE BED IS EXCAVATED TO VERIFY THE DESIGN INFILTRATION RATE. (NOTE: AN ACHD INSPECTOR MUST BE PRESENT TO WITNESS THE TEST FOR IT TO BE CONSIDERED VALID). IF THE PERCOLATION IS LESS THAN THAT SPECIFIED BY THE SOILS REPORT AND ENGINEER, CONTRACTOR SHALL CONTACT ENGINEER TO RE-DESIGN THE SYSTEM TO ACHIEVE THE REQUIRED INFILTRATION. ACHD APPROVAL IS REQUIRED FOR ANY MODIFICATIONS TO THE STAMPED, APPROVED DESIGN PLANS.

SEEPAGE BED NOTES:

- CONTRACTOR SHALL NOTIFY ENGINEER IMMEDIATELY IF GROUNDWATER IS ENCOUNTERED AT AN ELEVATION HIGHER THAN THE BOTTOM ELEVATION OF THE LINED SEEPAGE BED; OR, WITHIN 3-FEET OF THE BOTTOM ELEVATION OF AN UNLINED SEEPAGE BED.
- ALL GEOTEXTILE FABRIC SEAMS SHALL OVERLAP 1-FOOT MINIMUM, UNLESS OTHERWISE DIRECTED BY THE MANUFACTURER.
- THE FULL ROADWAY SECTION IS REQUIRED OVER THE SEEPAGE BED IN PAVED AREAS.
- SEE STORM DRAIN PLANS FOR ADDITIONAL INFORMATION.
- THE BOTTOM ASTM C33 SAND ELEVATION IS THE MINIMUM EXCAVATION DEPTH.
- SEE ACHD STORMWATER DESIGN GUIDELINES BMP #20 "SEEPAGE BED" FOR ADDITIONAL REQUIREMENTS - "OPTIONAL CHAMBERS ARE NOT REQUIRED.
- GROUNDWATER WAS DETERMINED WITHIN THE PROJECT GEOTECHNICAL REPORT TO BE GREATER THAN 20-FEET BELOW THE GROUND SURFACE. REFER TO GROUNDWATER RECOMMENDATION PREPARED BY STRATA DATED JULY 26TH, 2017.
- THE DESIGN VOLUME OF THE FACILITY DOES NOT INCLUDE VOIDS WITHIN THE ASTM C33 FILTER SAND LOCATED AT THE BOTTOM OF THE FACILITY.
- THE SEEPAGE BED WIDTH SHALL REMAIN CONSTANT ALONG THE LONGITUDINAL LENGTH OF THE SEEPAGE BED.
- IF ROCK IS ENCOUNTERED, CONTRACTOR MUST HAVE A PERCOLATION TEST PERFORMED BY A SOILS ENGINEER AFTER SEEPAGE BED IS FULLY EXCAVATED (NOTE: AN ACHD INSPECTOR MUST BE PRESENT TO WITNESS THE TEST FOR IT TO BE CONSIDERED VALID). IF THE PERCOLATION IS LESS THAN THAT SPECIFIED BY THE SOILS REPORT AND ENGINEER, CONTRACTOR MAY NEED TO BLAST OR BORE TO CREATE CONDUIT FOR DRAINAGE TO OCCUR, OR RE-DESIGN THE SYSTEM TO ACHIEVE THE REQUIRED INFILTRATION. ACHD APPROVAL IS REQUIRED FOR ANY MODIFICATIONS TO THE STAMPED, APPROVED DESIGN PLANS.
- FOR UNDERGROUND INFILTRATION SYSTEMS, INSTALL ELECTRONIC MARKERS ON EACH CORNER OF THE FACILITY. THE CONTRACTOR SHALL COORDINATE WITH THE ACHD INSPECTION DEPARTMENT FOR PLACEMENT OF THE MARKERS DURING CONSTRUCTION, AND PRIOR TO BACKFILLING.
- CONTRACTOR SHALL DIG A TEST PIT AT EACH SEEPAGE BED LOCATION AND CONFIRM THE SOIL PERCOLATION RATE AT THE DESIGN SEEPAGE BED BOTTOM OF ASTM C33 FILTER SAND ELEVATION PRIOR TO EXCAVATION OF THE COMPLETE SEEPAGE BED. CONTRACTOR SHALL NOTIFY ENGINEER IMMEDIATELY IN EVENT THAT THE FIELD PERCOLATION RATE DOES NOT MEET OR EXCEED THE DESIGN PERCOLATION RATE, OR IF BEDROCK IS ENCOUNTERED ABOVE THE DESIGN SEEPAGE BED ELEVATION. UPON RECEIVING NOTICE FROM CONTRACTOR, ENGINEER WILL RESIZE THE SEEPAGE BED TO ACCOMMODATE FIELD CONDITIONS - NO SEPARATE PAYMENT SHALL BE MADE TO CONTRACTOR FOR THE CHANGE AS LONG AS THE RESIZED SEEPAGE BED DRAIN ROCK VOLUME EQUALS THE RESIZED VOLUME.

DRAIN ROCK SPECIFICATION

Void Volume of Typical Materials	
Material	Void Volume %
2" Max Blasted Rock	30
(1-1/2" to 2") Uniform Size Gravel	40
3/4" Uniform Size Crushed Chips	40
Crushed Glass	30

Crushed aggregates shall have a minimum 50% crushed or fractured face (at least on one side and meet the following gradation:

Crushed Aggregate	
Sieve Size	Percent Passing
3 inch	100%
1 inch	25-60%
3/8 inch	0-4%
No. 200	0-2%

GEOTEXTILE SPECIFICATION

Non-Woven Filter Fabric		
Property	Test Method	English
Tensile Strength (Grab)	ASTM D-4632	120 lbs
Elongation	ASTM D-4632	50%
Puncture	ASTM D-4833	65 lbs
Trapezoidal Tear Strength	ASTM D-4533	50 lbs
UV Resistance	ASTM D-4355	70%
Apparent Opening Size (AOS)	ASTM D-4751	70 US Std. Sieve
Permittivity	ASTM D-4491	1.50 sec-1
Water Flow Rate	ASTM D-4491	120 gpm/ft2

Woven Fabric		
Property	Test Method	English
Tensile Strength (Grab)	ASTM D-4632	Min 250 lbs
Puncture Strength or CBR	ASTM D-4833 or ASTM D-6241	Min 125 lbs or Min 950 lbs
Puncture	ASTM D-6241	lbs
UV Resistance	ASTM D-4355	Min 80%
Apparent Opening Size (AOS)	ASTM D-4751	70 US Std. Sieve
Water Flow Rate	ASTM D-4491	Min 18 gpm/ft ²
Percent Open Area	CW-02215	Min 4%

ACHD SEEPAGE BEDS WITHIN S. RECREATION AVE.

SAND AND GREASE TRAP #	SEEPAGE BED #	TANK SIZE (GAL)	LOWEST UPSTREAM STRUCTURE RIM EL.	LOWEST TANK RIM EL.	LOWEST FG EL. OVER BED.	TOP OF LOWER BAFFLE EL	TANK RIM EL. MINUS LOWER BAFFLE EL	HALF PERFORATED PIPE DIAMETER (IN)	HALF PERFORATED PIPE IE.	BOTTOM OF DRAIN ROCK EL.	DRAIN ROCK THICKNESS (FT)	TOP OF DRAIN ROCK EL.	PERF PIPE IE TO TOP OF DRAIN ROCK (FT)	ASTM C33 FILTER SAND THICKNESS (FT)	TOP OF ASTM C33 FILTER SAND EL	BOTTOM OF ASTM C33 FILTER SAND EL	EXISTING GROUND EL.	SEASONAL HIGH GROUND WATER EL.	TOP OF PERF PIPE TO TOP OF ROCK (FT)	BOTTOM OF PERF PIPE TO BOTTOM OF ROCK (FT)	DEPTH FROM ROCK TO GW	LOWEST FG TO TOP OF ROCK	COVER CHECK	UPSTREAM STRUCTURE SURCHARGE
SG ACHD-1	1	1000	2747.42	2747.90	2747.88	2742.64	5.26	18.00	2741.64	2733.40	12.00	2745.40	3.76	1.50	2733.40	2731.90	2747.00	2727.00	2.26	8.24	6.40	2.48	OK	OK
SG ACHD-2	2	1000	2750.62	2750.66	2750.71	2745.77	4.89	18.00	2744.77	2736.16	12.00	2748.16	3.39	1.50	2736.16	2734.66	2750.00	2730.00	1.89	8.61	6.16	2.55	OK	OK

SEEPAGE BED CROSS SECTION - (TYPE 1 - ACHD)

1
C.DT.5

APPROVED FOR CONSTRUCTION

These plans and specifications have been reviewed for compliance with the provisions of the Illinois Statewide Environmental Protection Act, 15 ILCS 105/1-10. The undersigned hereby certifies that the plans and specifications are in accordance with the provisions of the Act and that the undersigned is duly licensed and qualified to practice as a Professional Engineer in the State of Illinois. The undersigned further certifies that the plans and specifications are in accordance with the provisions of the Act and that the undersigned is duly licensed and qualified to practice as a Professional Engineer in the State of Illinois.

Plains Are Accepted For Public Street Construction

By authority and signing the instrument, the Registered Professional Engineer certifies that the plans and specifications are in accordance with the provisions of the Act and that the undersigned is duly licensed and qualified to practice as a Professional Engineer in the State of Illinois. The undersigned further certifies that the plans and specifications are in accordance with the provisions of the Act and that the undersigned is duly licensed and qualified to practice as a Professional Engineer in the State of Illinois.

ORIGINAL SIGNED PLAN SET ON FILE AT ERICKSON, INC. BY: JAS. COLLEY, REGISTERED ENGINEER, STATE OF ILLINOIS

811

CONTACT DGLINE 48-HOURS BEFORE DIGGING 1-800-342-1585

CITY OF MERIDIAN
DISCOVERY PARK PHASE 2
MERIDIAN, ID

PROFESSIONAL ENGINEER
108213
11-23-21
STATE OF IOWA
KESS K. ERICKSON

6213 N. Cooverdale Rd.
Suite 125
Elmwood, IA 52005
1-208-846-8995
1-208-846-8996
c.208.867.9354
kess@ericksoncivil.com
ericksoncivil.com

PROJECT TITLE: CIVIL

NO. _____ DATE _____

REVISION _____

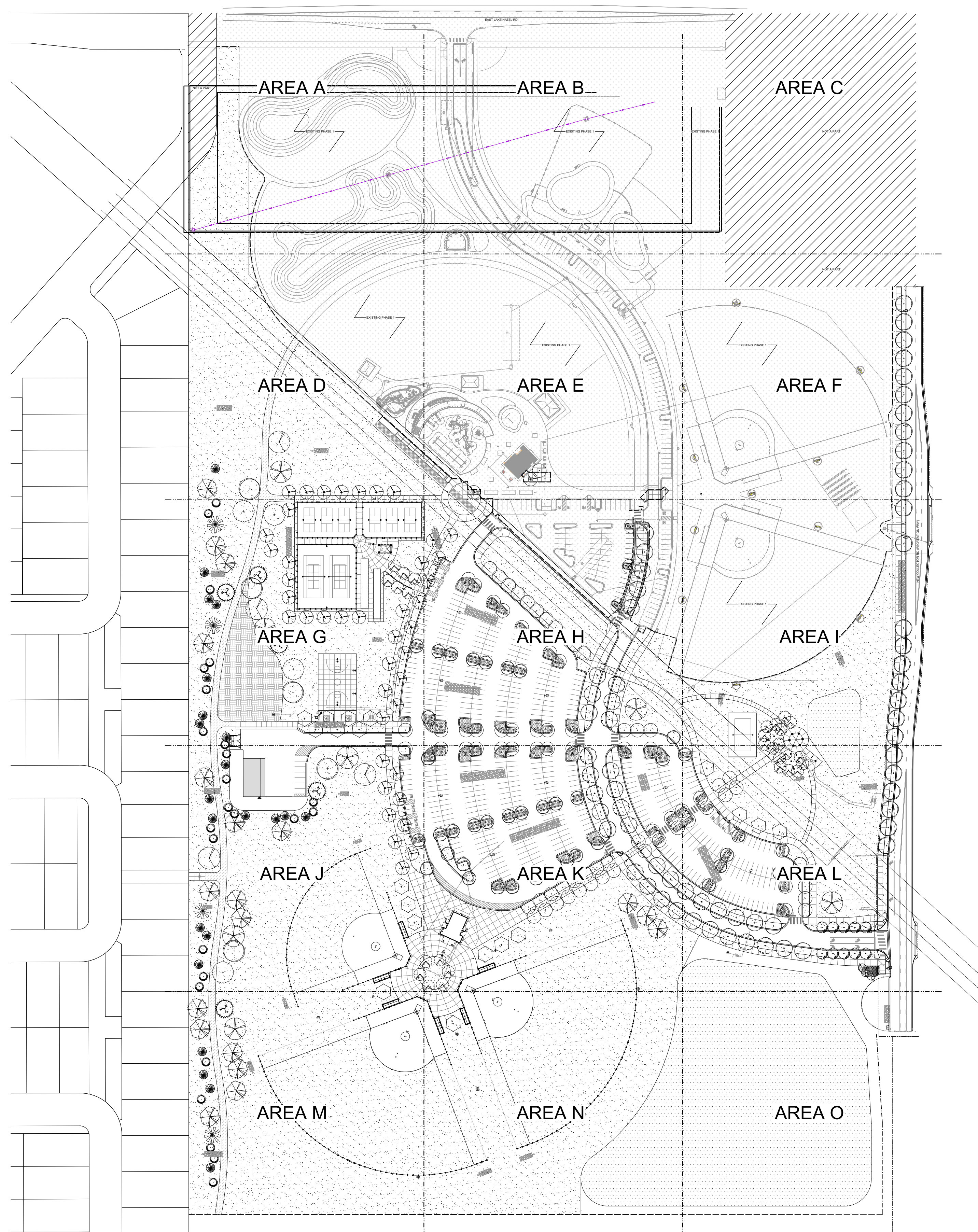
PROJECT MANAGER: _____

PREPARED BY: ERICKSON CIVIL, INC.
FAX (208) 846-8996

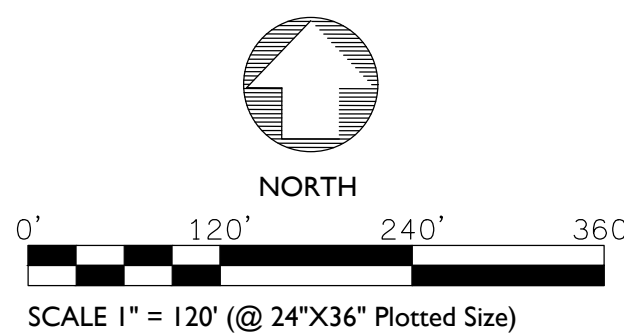
DRAWN BY: BRE

JOB NUMBER: **IDB19075**
DATE: 09/29/21
SHEET NUMBER: **C.DT.5**

Exhibit C



FUTURE PHASE



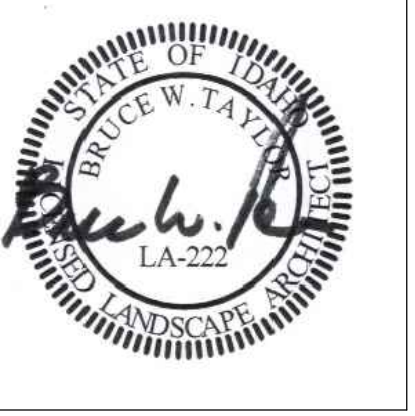
LEGEND

SYM	COMMON/BOTANIC NAME	SIZE
	<u>DECIDUOUS TREES</u>	
	EXISTING TREE - RETAIN AND PROTECT	
	GREENSPIRE LITTLELEAF LINDEN TILIA CORDATA 'GREENSPIRE'	2" CAL B&B
	REDMOND LINDEN TILIA AMERICANA X EUCHLORA 'REDMOND'	2" CAL B&B
	SKYLINE HONEYLOCUST GLEDITSIA TRIACANTHOS 'SKYCOLE'	2" CAL B&B
	CRIMSON SUNSET MAPLE ACER TRUNCATUM X ACER PLATANOIDES 'JFS-KW202'	2" CAL B&B
	MAGYAR GINKGO GINKGO BILOBA 'MAGYAR'	2" CAL B&B
	EMERALD CITY TULIP TREE LIRODENDRON TULIPIFERA 'JFS-OZ'	2" CAL B&B
	PACIFIC SUNSET MAPLE ACER TRUNCATUM X PLATANOIDES 'WARRENRED'	2" CAL B&B
	EMERALD SUNSHINE ELM ULMUS PROPINQUA 'JFS-BIEBERICH'	2" CAL B&B
	WORPLESDON SWEETGUM LIQUIDAMBAR STYRACIFLUA 'WORPLESON'	2" CAL B&B
	FOREST PANSY EASTERN REDBUD CERSIS CANADENSIS 'FOREST PANSY'	2" CAL B&B
	SWEET SATIVA CHESTNUT CASTANEA SATIVA	2" CAL B&B
	KENTUCKY COFFEETREE CYMNOCLADUS DIOICUS	2" CAL B&B
	SWAMP WHITE OAK QUERCUS BICOLOR	2" CAL B&B
	SOIXLAND POPLAR POPULUS DELTOIDES 'SIOUXLAND'	2" CAL B&B
	BLOODGOOD SYCAMORE PLATANUS X ACERIFOLIA 'BLOODGOOD'	2" CAL B&B
	RED OAK QUERCUS RUBRA	2" CAL B&B
	<u>EVERGREEN TREES</u>	
	VANDERWOLF PINE PINUS FLEXILIS 'VANDERWOLF'S PYRAMID'	7'-8" HT B&B
	BLACK HILLS SPRUCE PICEA GLAUCA 'DENSATA'	7'-8" B&B
	SCOTCH PINE PINUS SYLVESTRIS	7'-8" B&B
	<u>SHRUBS/GRASSES/PERENNIALS</u>	
	COREOPSIS COREOPSIS GRANDIFLORA	1 GAL
	KARL FORESTER FEATHER REED GRASS CALAMAGROSTIS X ACUTIFLORA 'KARL FORESTER'	2 GAL
	HIDCOTE BLUE LAVENDER LAVANDULA ANGUSTIFOLIA 'HIDCOTE BLUE LAVENDER'	1 GAL
	HILLSIDE CREEPER SCOTCH PINE PINUS SYLVESTRIS 'HILLSIDE CREEPER'	1 GAL
	GRO-LOW FRAGRANT SUMAC RHUS AROMATICA 'GRO-LOW'	1 GAL
	LAWN SEEDING	
	WOOD MULCH	

CZC NOTES

1. NEW COLLECTOR ROAD STREET TREES:
 - 1.1. 1275 L.F. OF FRONTAGE FROM NORTH PROPERTY LINE TO SOUTHERN STREET IMPROVEMENT AREA.
 - 1.1.1. 36 TREES REQUIRED
 - 1.1.2. 26 TREES PROVIDED AT 35' SPACING. TREES ARE NOT ALLOWED IN DRAINAGE FACILITIES AND WILLIAMS PIPELINE EASEMENT. THESE 10 TREES ARE MITIGATED ELSEWHERE ON THE SITE.

Issue Description	Date
CZC	6-23-21
BID SET	9-29-21
ACHD COMMENTS	11-23-21



JENSENBELTS ASSOCIATES
 Site Planning
 Landscape Architecture
 Urban Design
 1509 S Tyrell Ln., Ste 130
 Boise, Idaho 83706
 Ph. (208) 343-7175
 e-mail jba@jensenbelts.com

MERIDIAN PARKS AND RECREATION
DISCOVERY PARK PHASE 2
2121 E LAKE HAZEL ROAD
MERIDIAN, IDAHO 83642
SITE

Job Number 1999

Drawn JBA
 Checked BWT
 Scale AS SHOWN

Sheet Title
OVERALL PLANTING PLAN

Sheet Number
L2.0
 Of _____ Sheets

MATCHLINE SEE SHEET L1.3

NOT A PART

MATCHLINE SEE SHEET L2.5

EXISTING PHASE 1

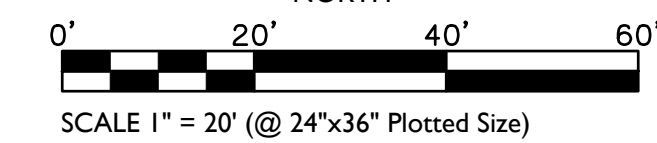
MATCHLINE SEE SHEET L2.9

LEGEND

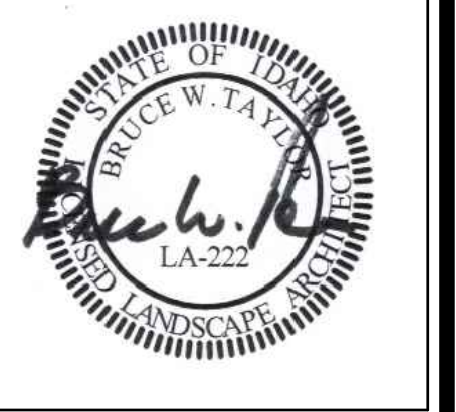
SYM	DESCRIPTION
<u>DECIDUOUS TREES</u>	
	EXISTING TREE - RETAIN AND PROTECT
	GREENSPIRE LITTLELEAF LINDEN
	REDMOND LINDEN
	SKYLINE HONEYLOCUST
	CRIMSON SUNSET MAPLE
	MAGYAR GINKGO
	EMERALD CITY TULIP TREE
	PACIFIC SUNSET MAPLE
	EMERALD SUNSHINE ELM
	WORPLESTON SWEETGUM
	FOREST PANSY EASTERN REDBUD
	SWEET SATIVA CHESTNUT
	KENTUCKY COFFEETREE
	SWAMP WHITE OAK
	SOIXLAND POPLAR
	BLOODGOOD SYCAMORE
	RED OAK
<u>EVERGREEN TREES</u>	
	VANDERWOLF PINE
	BLACK HILLS SPRUCE
	SCOTCH PINE
<u>SHRUBS/GRASSES/PERENNIALS</u>	
	COREOPSIS
	KARL FORESTER FEATHER REED GRASS
	HIDCOTE BLUE LAVENDER
	HILLSIDE CREEPER SCOTCH PINE
	GRO-LOW FRAGRANT SUMAC
	LAWN SEEDING
	WOOD MULCH

NOTE

SEE SHEET L2.0 FOR FULL PLANT SCHEDULE



Issue Description	Date
CZC	6-23-21
BID SET	9-29-21



Site Planning
Landscape Architecture

1509 S Tyrell Ln., Ste 130
Boise, Idaho 83706
Ph. (208) 343-7175
e-mail jba@jensenbelts.com

**MERIDIAN PARKS AND RECREATION
DISCOVERY PARK PHASE 2
2121 E LAKE HAZEL ROAD
MERIDIAN, IDAHO 83642**

SITE

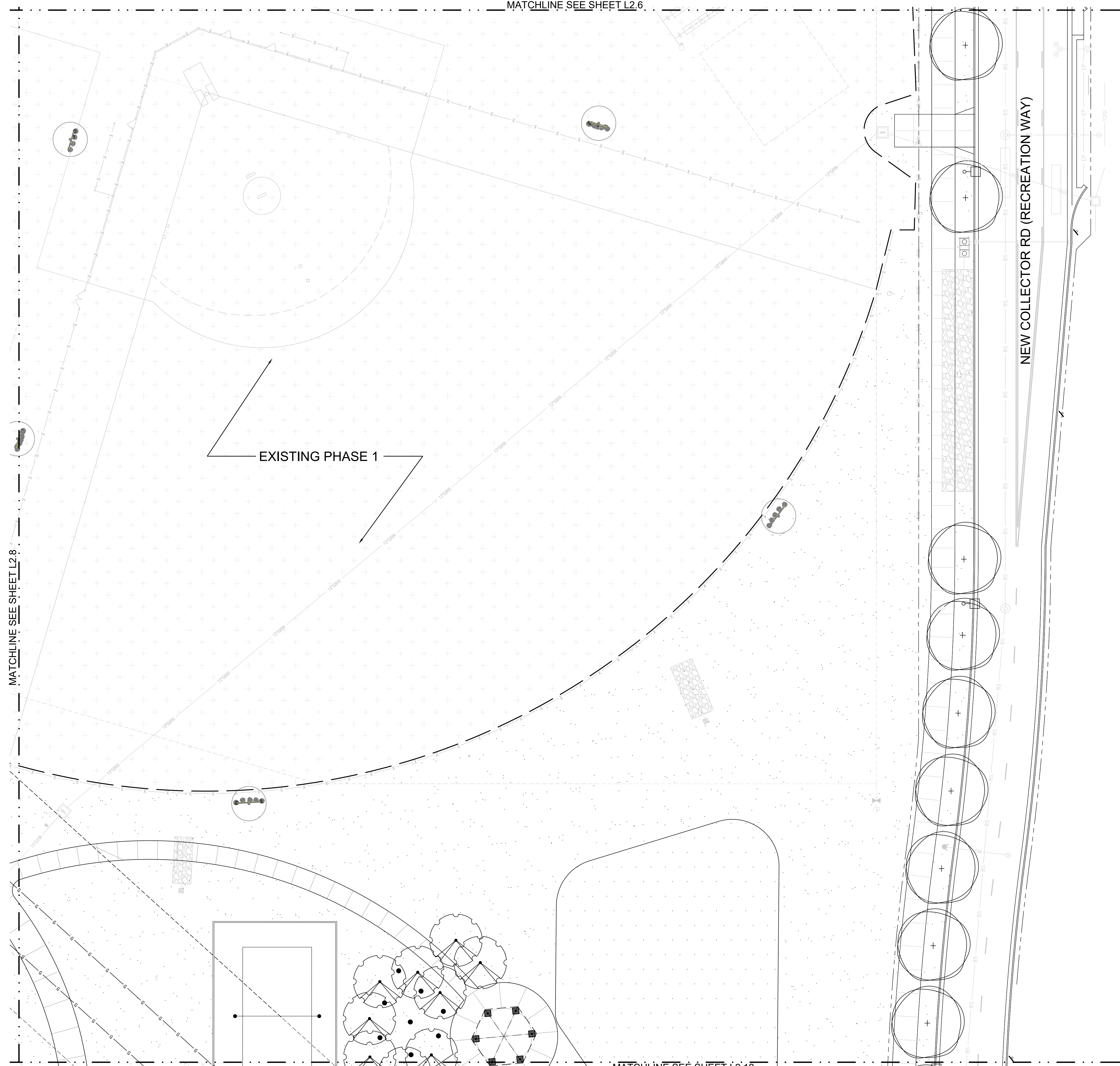
Job Number 1999

Drawn JBA
Checked BWT
Scale AS SHOWN

Sheet Title
**PLANTING PLAN
AREA F**

Sheet Number
L2.6
Of Sheets

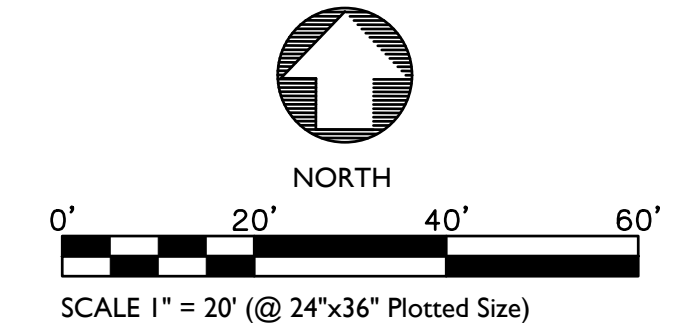
MATCHLINE SEE SHEET L2.6



LEGEND

SYM	DESCRIPTION
DECIDUOUS TREES	
(Symbol: Circle with cross)	EXISTING TREE - RETAIN AND PROTECT
(Symbol: Circle with vertical lines)	GREENSPIRE LITTLELEAF LINDEN
(Symbol: Circle with horizontal lines)	REDMOND LINDEN
(Symbol: Circle with diagonal lines)	SKYLINE HONEYLOCUST
(Symbol: Circle with wavy lines)	CRIMSON SUNSET MAPLE
(Symbol: Circle with vertical lines)	MAGYAR GINKGO
(Symbol: Circle with horizontal lines)	EMERALD CITY TULIP TREE
(Symbol: Circle with diagonal lines)	PACIFIC SUNSET MAPLE
(Symbol: Circle with wavy lines)	EMERALD SUNSHINE ELM
(Symbol: Circle with vertical lines)	WORPLESDON SWEETGUM
(Symbol: Circle with horizontal lines)	FOREST PANSY EASTERN REDBUD
(Symbol: Circle with diagonal lines)	SWEET SATIVA CHESTNUT
(Symbol: Circle with wavy lines)	KENTUCKY COFFEETREE
(Symbol: Circle with vertical lines)	SWAMP WHITE OAK
(Symbol: Circle with horizontal lines)	SOIXLAND POPLAR
(Symbol: Circle with diagonal lines)	BLOODGOOD SYCAMORE
(Symbol: Circle with wavy lines)	RED OAK
EVERGREEN TREES	
(Symbol: Circle with vertical lines)	VANDERWOLF PINE
(Symbol: Circle with horizontal lines)	BLACK HILLS SPRUCE
(Symbol: Circle with diagonal lines)	SCOTCH PINE
SHRUBS/GRASSES/PERENNIALS	
(Symbol: Circle with cross)	COREOPSIS
(Symbol: Circle with vertical lines)	KARL FORESTER FEATHER REED GRASS
(Symbol: Circle with horizontal lines)	HIDCOTE BLUE LAVENDER
(Symbol: Circle with diagonal lines)	HILLSIDE CREEPER SCOTCH PINE
(Symbol: Circle with wavy lines)	GRO-LOW FRAGRANT SUMAC
(Symbol: Circle with vertical lines)	LAWN SEEDING
(Symbol: Circle with horizontal lines)	WOOD MULCH

NOTE
SEE SHEET L2.0 FOR FULL PLANT SCHEDULE



Issue Description	Date
CZC	6-23-21
BID SET	9-29-21



Site Planning
Landscape Architecture
1509 S Tyrell Ln., Ste 130
Boise, Idaho 83706
Ph. (208) 343-7175
e-mail jba@jensenbelts.com

**MERIDIAN PARKS AND RECREATION
DISCOVERY PARK PHASE 2
2121 E LAKE HAZEL ROAD
MERIDIAN, IDAHO 83642
SITE**

Job Number 1999

Drawn JBA	Checked BWT
Scale AS SHOWN	

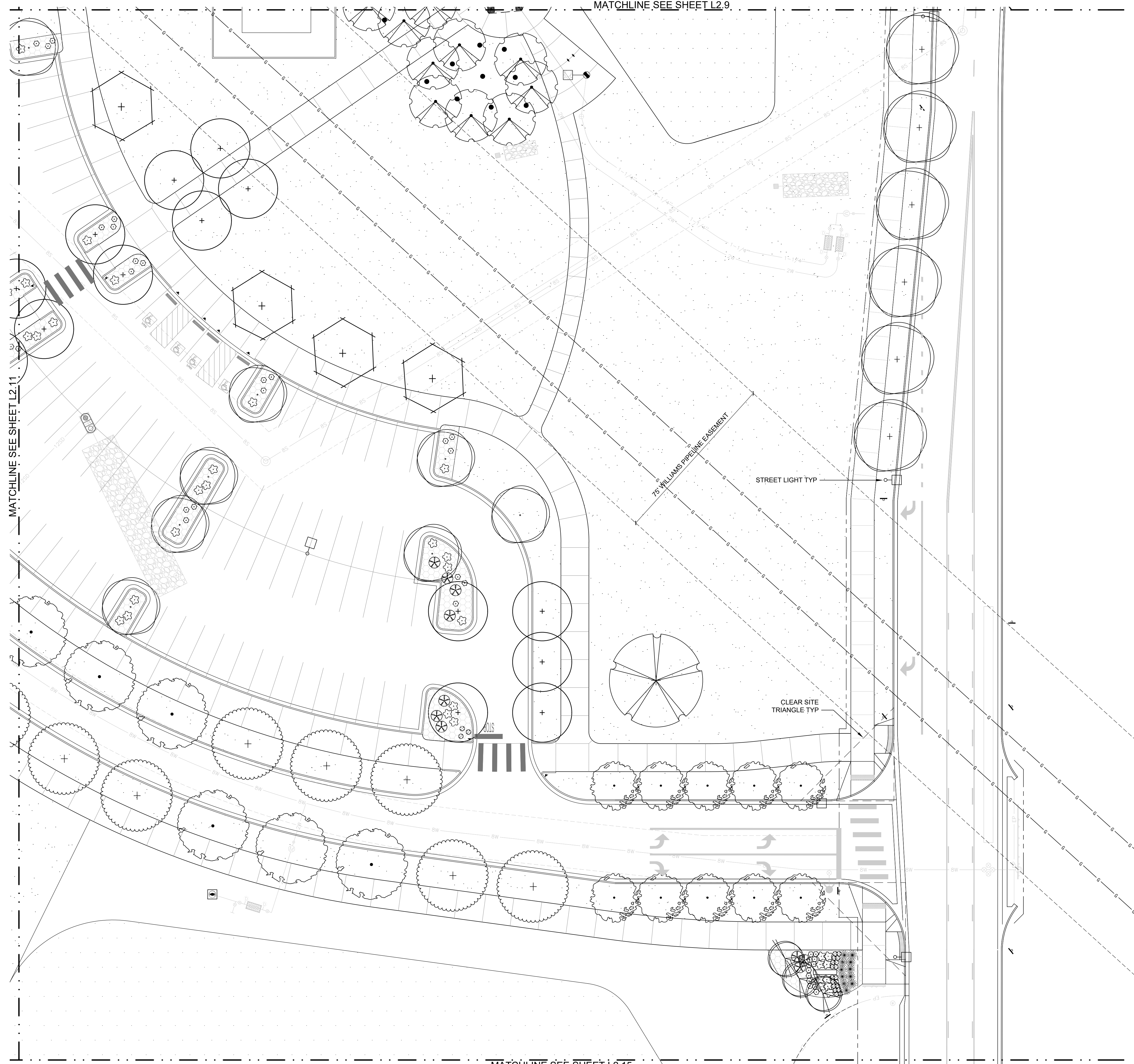
Sheet Title
**PLANTING PLAN
AREA I**

Sheet Number
L2.9
Of _____ Sheets

MATCHLINE SEE SHEET L2.8

MATCHLINE SEE SHEET L2.12

MATCHLINE SEE SHEET L2.9



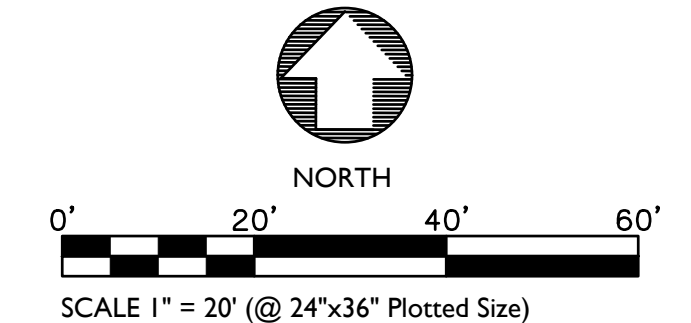
MATCHLINE SEE SHEET L2.11

MATCHLINE SEE SHEET L2.15

LEGEND

SYM	DESCRIPTION
DECIDUOUS TREES	
(Symbol: Circle with cross)	EXISTING TREE - RETAIN AND PROTECT
(Symbol: Circle with cross and dots)	GREENSPIRE LITTLELEAF LINDEN
(Symbol: Circle with cross and dots)	REDMOND LINDEN
(Symbol: Circle with cross and dots)	SKYLINE HONEYLOCUST
(Symbol: Circle with cross and dots)	CRIMSON SUNSET MAPLE
(Symbol: Circle with cross and dots)	MAGYAR GINKGO
(Symbol: Circle with cross and dots)	EMERALD CITY TULIP TREE
(Symbol: Circle with cross and dots)	PACIFIC SUNSET MAPLE
(Symbol: Circle with cross and dots)	EMERALD SUNSHINE ELM
(Symbol: Circle with cross and dots)	WORPLESDON SWEETGUM
(Symbol: Circle with cross and dots)	FOREST PANSY EASTERN REDBUD
(Symbol: Circle with cross and dots)	SWEET SATIVA CHESTNUT
(Symbol: Circle with cross and dots)	KENTUCKY COFFEETREE
(Symbol: Circle with cross and dots)	SWAMP WHITE OAK
(Symbol: Circle with cross and dots)	SOIXLAND POPLAR
(Symbol: Circle with cross and dots)	BLOODGOOD SYCAMORE
(Symbol: Circle with cross and dots)	RED OAK
EVERGREEN TREES	
(Symbol: Circle with radiating lines)	VANDERWOLF PINE
(Symbol: Circle with radiating lines)	BLACK HILLS SPRUCE
(Symbol: Circle with radiating lines)	SCOTCH PINE
SHRUBS/GRASSES/PERENNIALS	
(Symbol: Small circle with dot)	COREOPSIS
(Symbol: Small circle with dot)	KARL FORESTER FEATHER REED GRASS
(Symbol: Star shape)	HIDCOTE BLUE LAVENDER
(Symbol: Star shape)	HILLSIDE CREEPER SCOTCH PINE
(Symbol: Star shape)	GRO-LOW FRAGRANT SUMAC
(Symbol: Dotted area)	LAWN SEEDING
(Symbol: Shaded area)	WOOD MULCH

NOTE
SEE SHEET L2.0 FOR FULL PLANT SCHEDULE



Issue Description	Date
CZC	6-23-21
BID SET	9-29-21
ACHD COMMENTS	11-23-21



JENSEN BELTS ASSOCIATES
Site Planning
Landscape Architecture
Urban Design

Site Planning
Landscape Architecture
1509 S Tyrell Ln., Ste 130
Boise, Idaho 83706
Ph. (208) 343-7175
e-mail jba@jensenbelts.com

**MERIDIAN PARKS AND RECREATION
DISCOVERY PARK PHASE 2
2121 E LAKE HAZEL ROAD
MERIDIAN, IDAHO 83642**

SITE

Job Number 1999

Drawn JBA	Checked BWT
Scale AS SHOWN	

Sheet Title
**PLANTING PLAN
AREA L**

Sheet Number
L2.12
Of _____ Sheets