



Grand Rapids, MI
8840 Byron Commerce Dr SW
Byron Center, MI 49315
616-878-7450
Traverse City, MI
1061 Stepke Ct, Traverse City, MI 49685
231-943-3700
New Hudson, MI
56195 Pontiac Trail, New Hudson, MI 48165
248-356-5200

Burton, MI
3283 Dort Hwy, Burton, MI 48529
810-744-4840
Detroit, MI
5105 Loraine St, Detroit, MI 48207
313-394-1811
Gaylord, MI
3725 Old Hwy 27 S, Gaylord, MI 49735
989-731-9988
Sault Ste. Marie
2917 Ashmun St, Sault
Ste. Marie, MI 49783
906-259-8313

June 18, 2024

City of Madison Heights

Attn: Dan Yamarino



Contract# 240000000159

Contract Expires 1/16/29

Alta Equipment is pleased to present you with pricing on a **NEW VOLVO L30GS** (reference EQ0372406). The unit is equipped as follows:

- Cab with heat and AC
- T4F Engine with DOC
- Auto engine shutdown
- Hand inch valve
- Rearview mirror inside cab
- Flow share function
- CareTrack
- Heated Airsuspension seat
- Heated rearview mirrors
- LED work lamps, 2 front, 2 rear
- Boom suspension system
- SSL quick coupler
- Hydraulic adjust pallet forks
- Lifetime frame guarantee
- Holms SL220 sweeper
- Goodyear Powerload 405/70R18 tires
- Water separator with heater
- Engine block heater 110V
- Reversible cooling fan
- Single lever control with 3rd function
- Back up alarm
- Rotating beacon, foldable
- 3" orange seatbelt
- Radio
- Boom kickout and bucket leveler
- Hi-flow hydraulics, 29GPM
- Bucket
- Grapple bucket
- Standard warranty: 1 year or 2,500 hours

Total Purchase Price

\$134,938

** Quote is valid for 30 days and subject to prior sale

Thank you for this opportunity,

Lucas Laforge

Compact Equipment Specialist

P: (989) 450-3575

E: lucas.laforge@altg.com

ALTA EQUIPMENT COMPANY

Grand Rapids, MI
 8840 Byron Commerce Dr SW
 Byron Center, MI 49315
 616-878-7450
Traverse City, MI
 1061 Stepke Ct, Traverse City, MI 49685
 231-943-3700
New Hudson, MI
 56195 Pontiac Trail, New Hudson, MI 48165
 248-356-5200

Burton, MI
 3283 Dort Hwy, Burton, MI 48529
 810-744-4840
Detroit, MI
 5105 Loraine St, Detroit, MI 48207
 313-394-1811
Gaylord, MI
 3725 Old Hwy 27 S, Gaylord, MI 49735
 989-731-9988

Sault Ste. Marie
 2917 Ashmun St, Sault Ste. Marie, MI 49783
 906-259-8313

ALTA EQUIPMENT COMPANY

SALES | SERVICE | RENTALS | PARTS

39 Full Service Locations
400 Mobile Service Vans
Overnight Part Availability
24/7/365 Service
500 Factory Trained Technicians
5,000 Unit Rental Fleet

2020 Alta acquires Liftech Equipment Company, Flagler Construction Equipment, LLC, Martin Implement, PeakLogix, HILLO Equipment & Services and Howell Tractor & Equipment.

2019 Alta acquires Northland Industrial Truck Co., Inc. (NITCO).

2020 Alta becomes a publicly traded company under Alta Equipment Group Inc. (NYSE: ALTG)

2018 Alta acquires Elite Heavy Equipment Services, LLC.

2017 Alta expands CE group into the Chicagoland market.

2013 Alta acquires CLM Forklifts and Evans Equipment.

2012 Alta acquires Northern Michigan Equipment Company, Great Lakes Forklift, and KMH Systems.

2011 Alta acquires Galaxy Lift Inc.

2010 Alta acquires TEC Material Handling Corp and the majority of assets of United Lift Truck.

2009 Alta acquires Detroit Forklift, Aurora Lift Truck Services, Wolverine Tractor, and Midstate Industrial Services, Inc.

2008 Alta acquires Vans Industrial Equipment.

2005 Alta acquires Quality Material Handling.

2004 Alta acquires Michigan Industrial Forklift.

2002 Alta acquires Elwell Parker and Clarklift.

2000 Alta acquires Ideal Battery.

1998 Alta acquires Tri-City Material Handling.

1992 Alta acquires Lakeshore Material Handling.

1984 Alta was founded with one Detroit area location.

Logos: VOLVO, NEW HOLLAND CONSTRUCTION, NEW HOLLAND AGRICULTURE, KUBOTA, MANTIS CRANES, DEMAG, HYUNDAI, ANANT, Genie, SENNEBOGEN, TORO, GEHL, MANITOU, SULLAIR, PINN, WEISS-TRAU CO., INC., ARCTIC, TERRAMAC, INDECO, JLG, TAKEUCHI, GENESIS, SCAG.

ALTA EQUIPMENT COMPANY

3283 Dort Hwy • Burton, MI 48529 • Office (810) 744-4840 • www.Altaequipment.com

June 18th, 2024

City of Madison Heights,

New Daniels VBR42-12

- Steel trip edge
- Heavy duty floating mount
- Mounts to hook Volvo L90
- Delivery to site
- Two week lead time

Sell price (excluding tax).....

\$17,400

New Daniels VBR42-14

- Steel trip edge
- Heavy duty floating mount
- Mounts to hook Volvo L90
- Delivery to site
- Two week lead time

Sell price (excluding tax).....

\$18,150

Thank you,

Lucas Laforge

P: (989) 450-3575

E: Lucas.Laforge@altq.com

ALTA EQUIPMENT COMPANY

3283 Dort Hwy • Burton, MI 48529 • Office (810) 744-4840 • www.Altaequipment.com

June 18th, 2024

City of Madison Heights,

New Daniels VBT-36-10

- Steel trip edge
- Heavy duty floating mount
- Mounts Volvo L30
- Delivery to site
- Four to five week lead time

Sell price (excluding tax).....

\$9,835

New Daniels VBR36-8

- Steel trip edge
- Heavy duty floating mount
- Mounts Volvo L30
- Delivery to site
- Four to five week lead time

Sell price (excluding tax).....

\$8,560

Thank you,

Lucas Laforge

P: (989) 450-3575

E: Lucas.Laforge@altq.com

HOLMS

ATTACHMENTS

Angle Sweeper
HOLMS SL



Water spraying system
105 US Gallon



Weight
860 - 992 lbs



Brush diameter
2.3 ft



Width
6.5 - 9.1 ft



Brush replacement (swish)
35-40 min



Tilt & height indicators
Standard

Standard duty sweeper that gets the job done.

Technical specification

Model	SL200	SL220	SL250	SL280
Working width (ft)	6.5	7.2	8.2	9.1
Working width, fully angled 30° (ft)	5.5	6.2	7.2	7.8
Weight, excl. hooks (lb)	860	904	948	992
Brush diameter (ft)	2.3	2.3	2.3	2.3
Weight, excl. hooks, full tank 400 pounds (lb)	2083	2127	2171	2215
Recommended Oilflow, min/max (gpm)	10/35	10/35	10/35	10/35

All weights are approximate. Attachment weight is exclusive of hooks.

Options

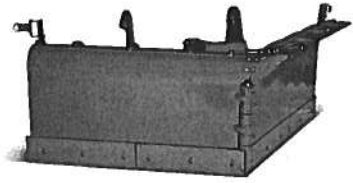
Improve your attachment with one of these options.

- Water spraying system
- 50/50 wire/poly brush
- Swish brush
- Hydraulic or manual angle
- Wireless control

HOLMS
SAFER ROADS

HOLMS

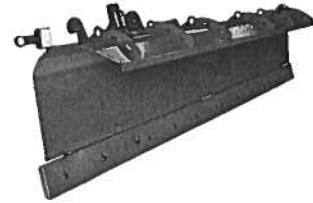
Which model is right for you?



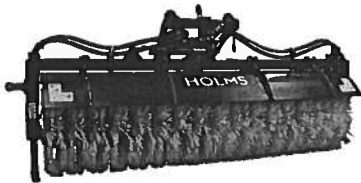
Holms V Plow PV



Holms V Plow PVF



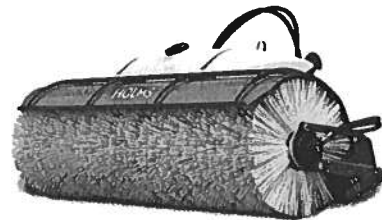
Holms Diagonal Plow PD



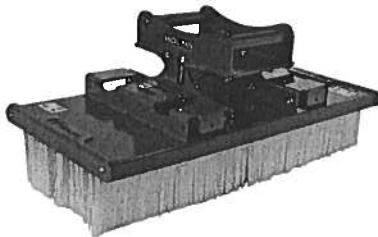
Holms Angle Sweeper SL



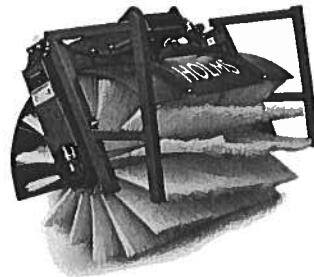
Holms Angle Sweeper SH



Holms Angle Sweeper SP



Holms Brush HB



Holms Sweeper SC



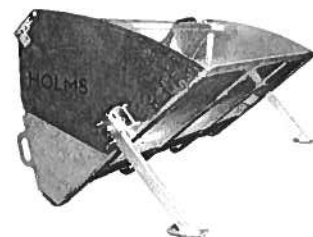
Holms Sweeper Duo DL



Holms Pick-up Sweeper PH



Holms Pick-up Sweeper PL



Holms Spreading Bucket SB

contact@holms.com

www.holms.com

Holms Attachments INC.
+1 704 878 9300

DANIELS[®]

PLOWS

VERSABOX



844.BLU.PLOW
(844.258.7569)

www.danielsplows.com

Incredibly Efficient

- Overbuilt and fully-welded, this plow pushes snow, pulls snow from curbs, loading docks, garage doors, etc.
- Operators that switched from traditional box plows have realized increased efficiencies up to 40%
- SAVE SALT – Durable steel trip edge for incredible ice and hard packed snow removal
- The VersaBox uses AR400 steel cutting edges for all types of snow and ice conditions

Options

- Extended skis available on request
- Optional Rubber Edges available

VersaBox Specifications

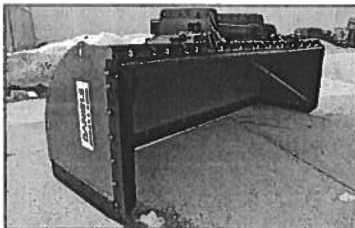
** Available for Avant Loaders **

Model Number	VB-24-6	VB-24-8	VB-36-8	VB-36-10	VB-36-12	VB-42-10	VB-42-12	VB-42-14
Height	24"	24"	36"	36"	36"	42"	42"	42"
Width	6'	8'	8'	10'	12'	10'	12'	14'
Cubic Volume	19 Cu ft.	25 Cu ft.	57 Cu ft.	71 Cu ft.	85 Cu ft.	96 Cu ft.	115 Cu ft.	134 Cu ft.
Plow Construction								
Moldboard	11 ga	11 ga	11 ga	11 ga	11 ga	11 ga	11 ga	11 ga
Vertical Ribs	3/4" & 3/8"	3/4" & 3/8"	3/4" & 3/8"	3/4" & 3/8"	3/4" & 3/8"	3/4" & 3/8"	3/4" & 3/8"	3/4" & 3/8"
Quantity	3	3	3	5	5	5	5	5
Cross Beams	C-5	C-5	C-6	C-6	C-6	C-6	C-6	C-6
Cutting Edges								
Drag Cutting Edge - AR400 Steel	5/8" x 6"	5/8" x 6"	5/8" x 6"	5/8" x 6"	5/8" x 6"	5/8" x 6"	5/8" x 6"	5/8" x 6"
Drag Shoe- AR400 Steel	1-1/8" x 6"	1-1/8" x 6"	1-1/8" x 6"	1-1/8" x 6"	1-1/8" x 6"	1-1/8" x 6"	1-1/8" x 6"	1-1/8" x 6"
Ski-AR400 Steel	3/4" x 4"	3/4" x 4"	3/4" x 4"	3/4" x 4"	3/4" x 4"	3/4" x 4"	3/4" x 4"	3/4" x 4"
Shipping Weight +/-	795 lbs.	925 lbs.	1235 lbs.	1500 lbs.	1650 lbs.	2400 lbs.	2600 lbs.	3000 lbs.



DANIELS
P L O W S

844-BLU-PLOW • www.danielsplows.com



Backdrag Position



Trip Spring



Push Position



Detachable Heavy Duty Mount with Floating Coupler Ears





**AMI ATTACHMENTS SPECIFICATION DRAWING
WHEEL LOADER CATEGORY 50
SCRAP GRAPPLE BUCKET**



PH: 1-800-556-9452
www.amiattachments.com

**IT'S NOT A JOB
IT'S A PERFORMANCE**

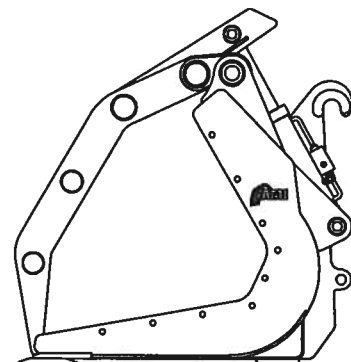
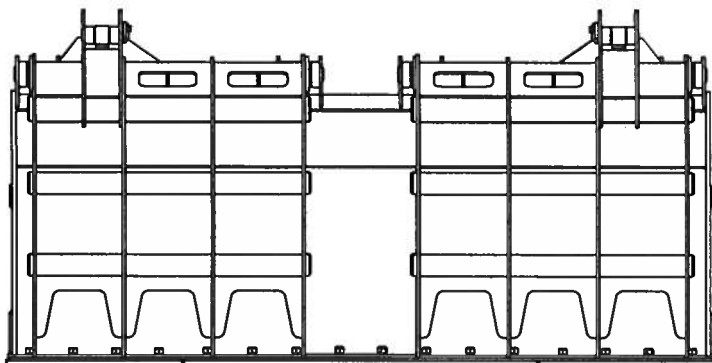
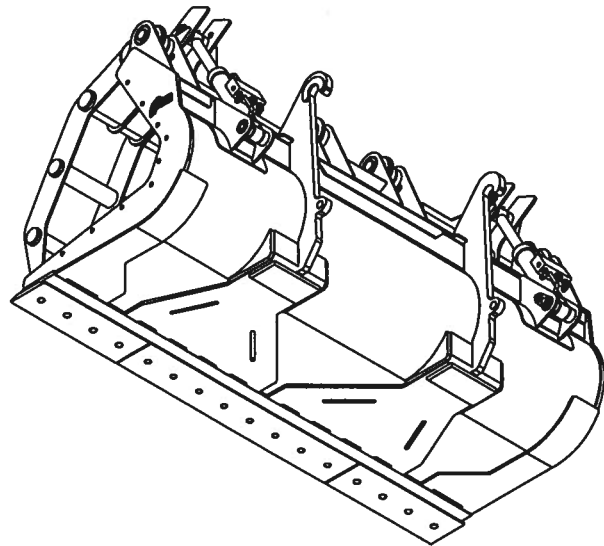
SPECIFICATIONS:

- FLAT FLOOR DESIGN
- COMES WITH REVERSIBLE BOLT ON EDGE
- BOLT-ON END PLATE ARE AVAILABLE
- SHOWN WITH DUAL GRAPPLE ARMS, SINGLE GRAPPLE ARM AVAILABLE
- AVAILABLE IN ANY LUGGING STYLE

Part #	Capacity		Weight	
	yd ³	(m ³)	lbs	(kg)
WL50SGB150	1.500	(1.145)	1600	(725)



MATERIAL SPECIFICATIONS		
Part	Hardox 450	Strenx
BASE EDGE	X	
SIDE PLATE	X	
FOOT PADS	X	
SHELL		X
LUGGING		X

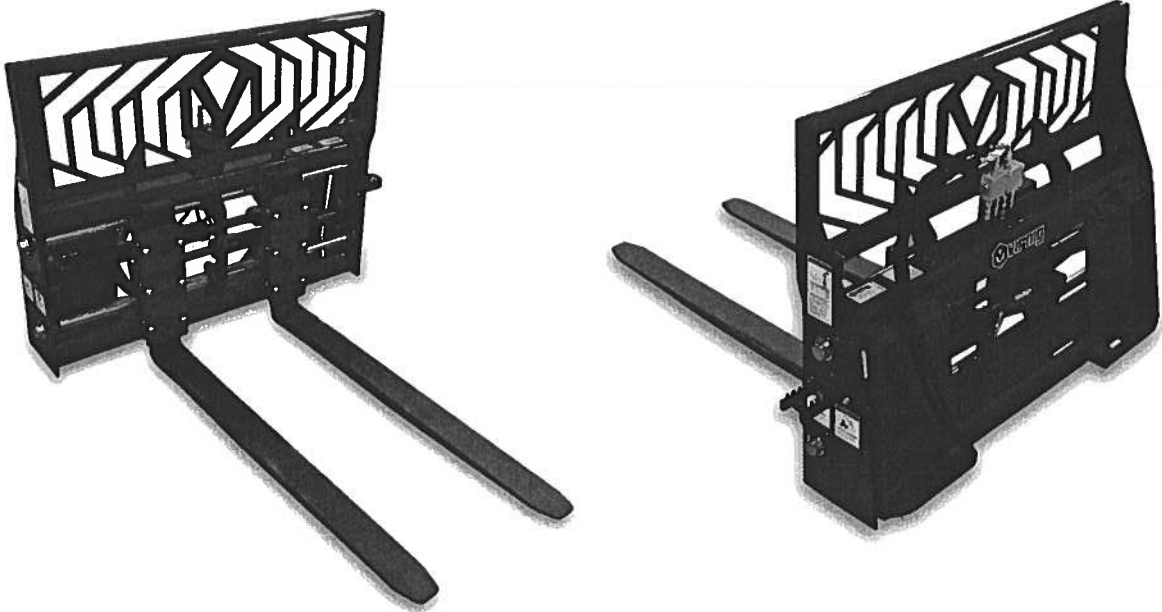


DESIGNED & BUILT WITH

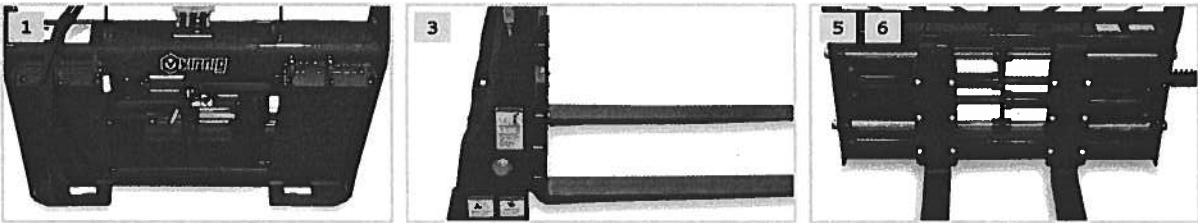


HYDRAULIC ADJUST PALLET FORK

Adjust the tines simultaneously from 8" to 38" wide without leaving the cab.



50.1" FRAME WIDTH	5500 LB CAPACITY	48" & 60" TINE LENGTHS	GREATER THAN 1500 LB LOADER OPERATING CAPACITY
-----------------------------	----------------------------	--------------------------------------	--



- 1. ANGLED MOUNT PLATE OPTIMIZED FOR SKID LOADER USE
- 2. HIGH VISIBILITY BRICKGUARD
- 3. UNIQUE HOLDER DESIGN ALLOWS STANDARD TINES INSTEAD OF EXPENSIVE SHAFT STYLE TINES
- 4. ITA CLASS II FORGED TINES WITH 5,500LB CAPACITY
- 5. BOLT-ON STEP INSTALLS ON EITHER SIDE
- 6. HD 1 9/16" DIAMETER SHAFT

MODEL	PFHA48	PFHA60
Height: Overall w/Step / Frame (in.)	53.9 / 50.1	
Overall Height (in.)	40.1	
Tine: Length / Width / Thickness (in.)	48.0 / 4.0 / 1.5	60.0 / 4.0 / 1.5
Tine Space: Min / Max (in.)	7.8 / 38.2	
Cylinder Bore / Stroke (in.)	2.0 / 16.0	
Cylinder Pins Diameter (in.)	1.0	
Approximate Weight (lbs)	705	755
Capacity (lbs)	5500	
Recommended Loader Capacity	Greater than 1500 lbs	