

November 8, 2023



All Roads Kenworth, LLC
 2909 South Andrews Avenue, Fort Lauderdale, FL 33316
 Mike Crawford 352-427-5462
mcrawford@allroadstrucks.com

City of Madeira Beach
 300 Municipal Drive
 Madeira Beach, FL 33708
 Phone: 727-298-3228
 Attn: Megan Wepfer
mwepfer@madeirabeachfl.gov



**Florida Sheriffs Association
 FSA23-VEH21.0 Item 83**

Battle LET2 60,000 GVW Refuse Chassis
 with Custom HEIL DP 33CY Automated
 Side Load Body

Code	Bid Specification – Options	Price	Extension
Item #83 66K GVW 1000-3727 CSRB5	2024 Battle LET2 60GVW Refuse Base Chassis Upgrade to 66,000 GVW CUMMINS L9, 350 HP, W/O ENGINE BRAKE, LET2 Heip Durapack Python Automated Side Loader 33CY Cost = \$189,500 + 5% (inc FSA Fees, Freight, Storage Cost) Reference attached Body Quote dated October 6, 2023 Note: All Options Include Florida Sheriffs Admin Fee Item 83 Battle LET2 Specifications, Options & Attached Custom Body Quote from Tampa Crane & Body	\$ 209,939.00 Inc \$ (6,050.00) \$ 198,975.00	\$ 209,939.00 Inc \$ (6,050.00) \$ 198,975.00
Reference:			
	Total Price	\$ 402,864.00	\$402,864.00



**FSA AWARDED
 CONTRACT**

flsheriffs.org | 850-877-2165
cpp@flsheriffs.org

Florida Sheriffs Association Cooperative Purchasing Program FSA23-VEH21.0 Options

Bidder: **ALL ROADS KENWORTH LLC**

Item make & model: **BATTLE MOTORS LET 2**

Item number: **83 - 60,000 GVW REFUSE TRUCK**



DEALER CONTACT: MIKE CRAWFORD 352-427-5462

mcrawford@allroadstrucks.com



Manufacturer Order Code	Description	Bid Price	Factory Installed or Vendor Installed?	Factory MSRP Discount % (factory-installed)	Cost-Plus Markup % (vendor-installed)
Item 83	<u>2024 - LET2 60K GVW Refuse Chassis Cummins X12 350R Allison 4500RDS</u>	\$ 209,939.00		Note: Factory MSRP Discount % is based on CURRENT MSRP at time of Bid - Bid price reflects that discount %	Note: Cost-Plus Markup % is based on base Option/Body cost. The total % indicated includes all costs associated with Bid
	<u>ENGINE OPTIONS</u>				
1000-3279	CUMMINS L9, 300 HP, W/O ENGINE BRAKE, LET2 Credit	\$ (6,488.00)	Factory Installed	MSRP Discount = 20%	
1000-3727	CUMMINS L9, 350 HP, W/O ENGINE BRAKE, LET2 Credit	\$ (6,050.00)	Factory Installed	MSRP Discount = 20%	
1000-3266	CUMMINS L9, 350 HP, WITH ENGINE BRAKE, LET2 Credit	\$ (4,750.00)	Factory Installed	MSRP Discount = 20%	
1000-3235	CUMMINS L9, 380 HP, W/O ENGINE BRAKE, LET2,	\$ 2,570.00	Factory Installed	MSRP Discount = 20%	
1000-3257	CUMMINS X12 350R WITH ENGINE BRAKE, LET2,	\$ 1,685.00	Factory Installed	MSRP Discount = 20%	
1000-3255	CUMMINS X12 380R W/O ENGINE BRAKE, LET2	\$ 1,296.00	Factory Installed	MSRP Discount = 20%	
	<u>CNG ENGINE OPTIONS</u>				
83080	CNG - L9N 320 HP Engine, CNG Prep, CNG Exhaust	\$ 20,191.00	Factory Installed	MSRP Discount = 20%	
83082	CNG - ISX12N 350 HP Engine, CNG Prep, (Subject to Availability Thru 2023) <i>Contact Dealer for Availability / Engineering Approval / Current Pricing</i>	\$ 32,622.00	Factory Installed	MSRP Discount = 20%	
1004-2074	CNG - EXHAUST, CUMMINS L9N, LET2	\$ 18,305.00	Factory Installed	MSRP Discount = 20%	
1004-2069	CNG - EXHAUST, 2021 CUMMINS ISX12N, LET2 OFFSET RAD	\$ 20,662.00	Factory Installed	MSRP Discount = 20%	
	<u>Allison Automatic Transmission Options</u>				
1007-1165	Transmission: Allison 3000RDS 6-speed without Retarder (L9 or L9N) Credit	\$ (4,848.00)	Factory Installed	MSRP Discount = 20%	
1007-1159	Transmission: Allison 3000RDS 6-speed with Retarder (Requires L9 or L9N)	\$ 273.00	Factory Installed	MSRP Discount = 20%	
1007-1150	Transmission: Allison 3500RDS 6-speed with Req. L9 Max 300HP Credit	\$ (5,070.00)	Factory Installed	MSRP Discount = 20%	
1007-1220	Transmission: Allison 4500RDS w retarder, (For X12)	\$ 11,055.00	Factory Installed	MSRP Discount = 20%	
1007-1245	Transmission: Allison 4500RDSwith retarder (For X12N)	\$ 10,409.00	Factory Installed	MSRP Discount = 20%	

FSA23-VEH21.0 ITEM 83 OPTIONS ALL ROADS KENWORTH, LLC

Manufacturer Order Code	Description	Bid Price	Factory Installed or Vendor Installed?	Factory MSRP Discount % (factory-installed)	Cost-Plus Markup % (vendor-installed)
<u>FRAME / CHASSIS / SUSPENSION OPTIONS</u>					
83057	Double Frame Full Insert	\$ 1,742.00	Factory Installed	MSRP Discount = 20%	
66KGVW	Suspension	Inc in Base	Factory Installed	MSRP Discount = 20%	
1200A-0384	Dana D52-590P 52,000 lb. rated axle & Hendrickson HMX-EX-52 52K suspension	\$ 12,384.00	Factory Installed	MSRP Discount = 20%	
83069	RR	\$ 7,746.00	Factory Installed	MSRP Discount = 20%	
Drop Frame	OEM factory built heavy duty dropframe for ASL Recycle Bodies (Requires Engineering Approval)	\$ 15,775.00	Factory Installed	MSRP Discount = 20%	
DCDL	Driver Controlled Differential Lock	\$ 650.00	Factory Installed	MSRP Discount = 20%	
<u>LIFT AXLE & SUSPENSION OPTIONS / INC WHEELS & TIRES</u>					
1201-1247	Non Steerable Pusher Axle Watson Chalin 20K Inc Tires Steel Wheels	\$ 13,382.00	Factory Installed	MSRP Discount = 22%	
120-1454	Steerable Lift Axle: Watson Chalin 13,200 LB Inc Tires Steel Wheels	\$ 11,864.00	Factory Installed	MSRP Discount = 22%	
<u>TIRE / WHEEL OPTIONS</u>					
8-515-4787-0140	Tires/Wheels : (8) 315/80R22.5 Continental Tires & Aluminum Wheels	\$ 7,442.00	Factory Installed	MSRP Discount = 20%	
8-515-4787-0075	Tires/Wheels : (8) 315/80R22.5 Continental Tires & Steel Wheels	\$ 6,873.00	Factory Installed	MSRP Discount = 20%	
<u>CAB UPGRADE OPTIONS</u>					
LNT64	LNT64 Model - 3 Man Cab Includes L9 350HP 4500RDS & 64,000 GVW	Credit \$ (4,688.00)	Factory Installed	MSRP Discount = 20%	
LCF CREW	LCF 4 Man Crew Cab (Subject to Engineering Approval on BEV)	\$ 3,362.00	Factory Installed	MSRP Discount = 20%	
82490	LCF Dual Drive/Steering with Dual Sit Down Option	\$ 14,088.00	Factory Installed	MSRP Discount = 20%	
82516	LCF Left Hand Sit Down & Right Stand Up Steering Option	\$ 13,814.00	Factory Installed	MSRP Discount = 20%	
82493	LCF Right Hand Steering with Right Hand Sit Down Option	\$ 2,452.00	Factory Installed	MSRP Discount = 20%	
82831	Bi-Fold Stay Open Door EACH	\$ 475.00	Factory Installed	MSRP Discount = 20%	
82830	LH or RH Flip Up Flip Forward Door EACH	\$ 347.00	Factory Installed	MSRP Discount = 20%	
1806-1315	19" x 8" split single flat lense over convex rememotr & htd includes turn signal	\$ 1,069.00	Factory Installed	MSRP Discount = 20%	
CVX8	Convex Mirrors 8" Qty 2 - Heated (Additional to Std Convex)	\$ 225.00	Factory Installed	MSRP Discount = 20%	
2202-0083	8" Samsung Digital Dash	\$ 3,730.00	Factory Installed	MSRP Discount = 20%	
<u>CAMERA / STROBE / SAFETY / LUBE / FIRE UPGRADE OPTIONS</u>					

FSA23-VEH21.0 ITEM 83 OPTIONS ALL ROADS KENWORTH, LLC

Manufacturer Order Code	Description	Bid Price	Factory Installed or Vendor Installed?	Factory MSRP Discount % (factory-installed)	Cost-Plus Markup % (vendor-installed)
RMA 907	Back Up Alarm Upgrade Ecco RMA-907 82-107 dB(A)	\$ 495.00	Factory Installed	MSRP Discount = 20%	
2100-3278	WHELEN LED STROBE LIGHTS, (1) SIDE CAB	\$ 2,750.00	Factory Installed	MSRP Discount = 20%	
2100-3081	MAXXIMA STROBE LIGHTS, ON EXTERIOR VISOR,	\$ 925.00	Factory Installed	MSRP Discount = 20%	
2100-3148-	LED WORK LIGHTS, LH & RH REAR UPPER CAB CORNERS	\$ 525.00	Factory Installed	MSRP Discount = 20%	
2100-2874	DOME LIGHTS OVER LH & RH SEAT POSITIONS, ON-OFF SWITCH LED	\$ 2,750.00	Factory Installed	MSRP Discount = 20%	
AWLED6	(6) Amber LED Strobe Lights 2 Front, 2 Rear, & 2 Side Mount	\$ 2,750.00	Vendor Installed		Cost Plus 25%
LED2	(2) Amber / Amber White Surface Mtd LED Strobes Per Pair	\$ 925.00	Vendor Installed		Cost Plus 25%
BUC	Back Up Camera Dealer Installed	\$ 2,488.00	Vendor Installed		Cost Plus 25%
Brigade BackSense	Brigade Back Up Camera with BackSense Radar	\$ 7,813.00	Vendor Installed		Cost Plus 25%
Brigade 360	Brigade Back Up Camera with 360 System	\$ 10,438.00	Vendor Installed		Cost Plus 25%
2100-3279	CODE 3 LED STROBE LIGHTS, (1) INBOARD HEADLIGHT, (1) SIDE CAB	\$ 525.00	Vendor Installed		Cost Plus 25%
DAFO	DAFO Fire Supression System	\$ 8,725.00	Vendor Installed		Cost Plus 25%
LUBECORE	Automatic Lube System for Refuse Bodies	\$ 9,688.00	Vendor Installed		Cost Plus 25%
Telma	Telma driveline retarder, axial mount, includes 4 batteries (Includes shipping chassis)	\$ 24,500.00	Vendor Installed		Cost plus 35%
	<u>Factory Mounted CNG Tank Package Pricing</u>				
1003-1000	60 DGE AGILITY BOC (BACK OF CAB) 5 TANK, BLACK FRONT BUMPER FILL, CNG FUEL CAP FMM DOOR START INHIBIT	\$ 41,858.00	Factory Installed	MSRP Discount = 20%	
1003-1002	75 DGE AGILITY BOC (BACK OF CAB) 5 TANK, BLACK FRONT BUMPER FILL, CNG FUEL CAP FMM DOOR START INHIBIT	\$ 47,866.00	Factory Installed	MSRP Discount = 20%	
1003-1003	75 DGE AGILITY BOC (BACK OF CAB) 5 TANK, WHITE, FRONT BUMPER FILL, CNG FUEL CAP FMM DOOR START INHIBIT	\$ 44,602.00	Factory Installed	MSRP Discount = 20%	
1003-1010	80 DGE AGILITY BOC (BACK OF CAB) LOW PROFILE, 3 TANK, BLACK FRONT BUMPER FILL, CNG FUEL CAP FMM DOOR START INHIBIT	\$ 46,077.00	Factory Installed	MSRP Discount = 20%	
1003-1029	45 DGE AGILITY LH SIDE MOUNT W/FMM FRONT BUMPER FILL, CNG FUEL CAP FMM DOOR START INHIBIT	\$ 30,730.00	Factory Installed	MSRP Discount = 20%	
1003-1031	60 DGE,AGILITY LHS, FMM, BLUE IQ FRONT BUMPER FILL, CNG FUEL CAP FMM DOOR START INHIBIT	\$ 38,754.00	Factory Installed	MSRP Discount = 20%	
1003-1019	70 DGE Saddle Mount (frame rail mount) CNG fuel tank system in cabinet includes FRONT BUMPER FILL, CNG FUEL CAP FMM DOOR START INHIBIT	\$ 39,200.00	Factory Installed	MSRP Discount = 20%	

FSA23-VEH21.0 ITEM 83 OPTIONS ALL ROADS KENWORTH, LLC

Manufacturer Order Code	Description	Bid Price	Factory Installed or Vendor Installed?	Factory MSRP Discount % (factory-installed)	Cost-Plus Markup % (vendor-installed)
<u>CNG Tank Packages Pricing includes Mounting, Shipping</u>					
<u>Agility</u>					
CNG AG30DGERM	Agility CNG Tank 30 DGE Single 30 Rail Mounted	\$ 31,968.00	Vendor Installed		Cost Plus 20%
CNG AG50DGEBOC	Agility CNG Tanks 50 DGE Back Of Cab	\$ 45,648.00	Vendor Installed		Cost Plus 20%
CNG AG60DGERM	Agility CNG Tanks 60 DGE Dual 30 Rail Mounted	\$ 49,179.60	Vendor Installed		Cost Plus 20%
CNG AG60DGEBOC	Agility CNG Tanks 60 DGE Back Of Cab	\$ 45,648.00	Vendor Installed		Cost Plus 20%
CNG AG80DGEBOC	Agility CNG Tanks 80 DGE Back Of Cab	\$ 50,092.80	Vendor Installed		Cost Plus 20%
CNG AG90DGERM	Agility CNG Tanks 90 DGE Dual 45 Rail Mounted	\$ 53,805.60	Vendor Installed		Cost Plus 20%
CNG AG106DGERM	Agility CNG Tanks 106 DGE Back Of Cab	\$ 60,075.60	Vendor Installed		Cost Plus 20%
CNG AG120DGERM	Agility CNG Tanks 120 DGE Dual 60 Rail Mounted	\$ 66,832.80	Vendor Installed		Cost Plus 20%
CNG AGFBF	Front Bumper Fill Port (Either Side)	\$ 2,252.00	Vendor Installed		Cost Plus 20%
CNG AGDFH	35' De-Fueling Hose (Each)	\$ 1,270.00	Vendor Installed		Cost Plus 20%
<u>Cummins Clean Power / Momentum</u>					
CNG MM60DGESM	Momentum CNG Tanks 60 DGE Dual 30 Rail Mounted	\$ 46,828.00	Vendor Installed		Cost Plus 20%
CNG MM80DGEBOC	Momentum CNG Tanks 80 DGE Back Of Cab	\$ 54,976.00	Vendor Installed		Cost Plus 20%
CNG MM90DGERM	Momentum CNG Tanks 90 DGE (1) 50 & (1) 40 Rail Mounted	\$ 51,037.00	Vendor Installed		Cost Plus 20%
CNG MM95DGEBOC	Momentum CNG Tanks 95 DGE Back Of Cab	\$ 58,230.00	Vendor Installed		Cost Plus 20%
CNG MM120DGERM	Momentum CNG Tanks 120 DGE Dual 60 Rail Mounted	\$ 58,558.00	Vendor Installed		Cost Plus 20%
CNG MM135DGEBOC	Momentum CNG Tanks 135 DGE Back Of Cab	\$ 59,823.00	Vendor Installed		Cost Plus 20%
CNG MM175DGEBOC	Momentum CNG Tanks 175 DGE Back Of Cab	\$ 73,692.00	Vendor Installed		Cost Plus 20%
<u>Body Provided CNG Tanks - Priced With Body at time of Quote</u>					
CNG Body Tanks	Body Builder Provided CNG Tanks up to 90 DGE	\$ 72,500.00	Vendor Installed		Cost Plus 20%
CNG NW BM	New Way Body Mounted CNG Tanks 75DGE	\$ 66,500.00	Vendor Installed		Cost Plus 20%
CNG HEIL	HEIL Mounted CNG Tanks 60DGE Tailgate, Roof, Transverse, Front Body, Etc	\$ 67,313.00	Vendor Installed		Cost Plus 20%
<i>Additional Capacity = \$9375.00 Per 15 DGE</i>					
<u>REFUSE BODY OPTIONS</u>					
CSR5	Custom Specified Refuse Bodies Quoted at Current Cost + 15% (Includes FSA Fees)		Vendor Installed		Cost Plus 15%
<u>Automated Side Loaders</u>					
Heil DP Python	Heil Automated Side Loader DP Python (28yd)	\$ 190,535.00	Vendor Installed		Cost Plus 7%
Heil DP RR	Heil Automated Side Loader DP Rapid Rail (28yd)	\$ 201,110.00	Vendor Installed		Cost Plus 7%
NewWay SW	New Way Sidewinder Automated Side Loader (31yd)	\$ 185,063.00	Vendor Installed		Cost Plus 7%
NWMSW	New Way Sidewinder Severe Duty / MDSW Package (Contact Dealer for Details)	\$ 35,064.00	Vendor Installed		Cost Plus 7%
Labrie AM	Labrie Automizer Automated Side Loader (31 yd)	\$ 204,370.00	Vendor Installed		Cost Plus 7%
LMDSW	Labrie Automizer / MDSW Upgrade Package (Contact Dealer for Details)	\$ 34,990.00	Vendor Installed		Cost Plus 7%
Labrie EHH	Labrie Expert Helping Hand Automated Side Loader (37 yd)	\$ 220,420.00	Vendor Installed		Cost Plus 7%
Load Eclipse	Loadmaster Eclipse 31 cu. yd. Automated Side Loader	\$ 187,809.00	Vendor Installed		Cost Plus 7%
CurbT PP	Curbtender PowerPak 31 cu. yd. Automated Side Loader	\$ 182,105.00	Vendor Installed		Cost Plus 7%
Amrep AMHASL	Amrep Hardox Automated Side Loader Full Push Out AMHASLTPO-19	\$ 169,006.00	Vendor Installed		Cost Plus 7%
Amrep AMSL36	Amrep Hardox Manual Side Loader Full Push Out	\$ 141,812.00	Vendor Installed		Cost Plus 7%
EZP Ranger	EZ-Pack Ranger 31 YD Automated Side Loader	\$ 173,357.00	Vendor Installed		Cost Plus 7%

FSA23-VEH21.0 ITEM 83 OPTIONS ALL ROADS KENWORTH, LLC

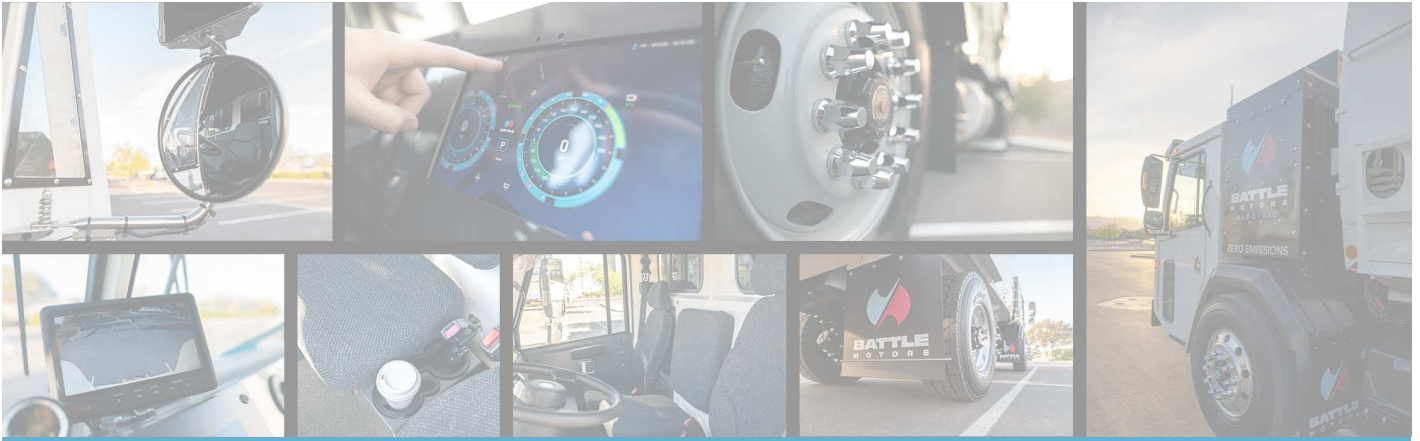
Manufacturer Order Code	Description	Bid Price	Factory Installed or Vendor Installed?	Factory MSRP Discount % (factory-installed)	Cost-Plus Markup % (vendor-installed)
	<u>Rear Load Refuse Bodies</u>				
Heil DP5	Heil DP5000 Rear Loader 25 Cu Yd	\$ 135,007.00	Vendor Installed		Cost Plus 9%
Heil PT	Heil PT Commercial Rear Loader 25 Cu Yd	\$ 140,021.00	Vendor Installed		Cost Plus 9%
Bayne	Bayne (or equivalent) Cart Tipper each	\$ 9,375.00	Vendor Installed		Cost Plus 25%
LOAD Excel	Loadmaster Excel S 31 cu yd high compaction Rearloader	\$ 110,445.00	Vendor Installed		Cost Plus 7%
LOAD EVM	Loadmaster Enviromaster DT - 25 cu yd 60/40 Split-Body Rearloader	\$ 181,673.00	Vendor Installed		Cost Plus 7%
NewWay KC	New Way King Cobra 25RL Rear Loader Refuse Body	\$ 118,249.00	Vendor Installed		Cost Plus 11%
EZ Pack Apollo	EZ-Pack Apollo Rear Loader 25 YD	\$ 104,928.00	Vendor Installed		Cost Plus 11%
EZ Pack G300	EZ-Pack Goliath G300 Rear Loader 31 YD	\$ 111,211.00	Vendor Installed		Cost Plus 11%
EZ Pack G400	EZ-Pack Goliath G400 Rear Loader 25 YD	\$ 124,869.00	Vendor Installed		Cost Plus 11%
AMREP REL	Amrep Hardox Rear Loader Full Push Out AMHRLTPO-25YD	\$ 125,341.00	Vendor Installed		Cost Plus 10%
Leach ZR3-III	Leach ZR3-III Rear-Load 25 YD	\$ 148,200.00	Vendor Installed		Cost Plus 9%
	<u>Front Load Refuse Bodies</u>				
HEIL FEL	Heil Half/Pack 40 cu. yd. Front Loader	\$ 180,111.00	Vendor Installed		Cost Plus 8%
HEIL FEL LR	HEIL Half/Pack Low Rider 40 cu. yd. Front Loader - designed for residential carry can	\$ 230,318.00	Vendor Installed		Cost Plus 6%
HEIL Curotto	HEIL Curotto Can Assembly	\$ 46,200.00	Vendor Installed		Cost Plus 10%
EZ Pack Herc	EZ-Pack Hercules 40 YD Commercial Front Loader	\$ 159,978.00	Vendor Installed		Cost Plus 8%
New Way Mammoth	New Way Mammoth 40YD Front Loader Refuse Body	\$ 153,741.00	Vendor Installed		Cost Plus 9%
AMREP FEL	Amrep Hardox 40yd Front End Loader Refuse Body	\$ 170,345.00	Vendor Installed		Cost Plus 7%
Titan40	Titan 40 CY Front Loader Refuse Body	\$ 180,882.00	Vendor Installed		Cost Plus 8%
Wittke	Wittke Super Duty 40yd Front End Loader Refuse Body	\$ 184,680.00	Vendor Installed		Cost Plus 7%
	<u>Roll Offs</u>				
Galbreath U5-OR-174	Galbreath U5 – OR – 174 RollOff Hoist w/ tarper	\$ 79,692.00	Vendor Installed		Cost Plus 16%
Galbreath AF-OR-174	Galbreath AF – OR – 174 RollOff Hoist w/ tarper	\$ 82,800.00	Vendor Installed		Cost Plus 15%
Stellar 65-174	Stellar 65-174 65,000 lbs RollOff Hoist w/ tarper	\$ 110,096.00	Vendor Installed		Cost Plus 12%
Galfab OR 60	Galfab OR 60 60,000 lbs RollOff Hoist w/ tarper	\$ 75,325.00	Vendor Installed		Cost Plus 15%

FSA23-VEH21.0 ITEM 83 OPTIONS ALL ROADS KENWORTH, LLC

Manufacturer Order Code	Description	Bid Price	Factory Installed or Vendor Installed?	Factory MSRP Discount % (factory-installed)	Cost-Plus Markup % (vendor-installed)
	Grapple Loaders				
PetersenAL-1	Petersen AL-1 Atlas Grapple w/ 50 C.Y. HardOx Body Inc Strobes,Lights & BU Cam	\$ 170,672.00	Vendor Installed		Cost Plus 7%
ATLAS DWT	Petersen AL-1 Atlas Dual Walk through 24' 40CY HDX Body Quadsticks Strobes,Lights	\$ 173,818.00	Vendor Installed		Cost Plus 7%
Route Assistant 2240	Petersen TR3 Route Assistant Dual Walk through 22' 40CY HDX Body Quadsticks	\$ 169,533.00	Vendor Installed		Cost Plus 7%
PalfingerM100L72	Palfinger M100L72 Dual Walk Thru Hydraulic Loader 27 CY Dump Body/ Single Door	\$ 150,925.00	Vendor Installed		Cost Plus 7%
	Standard Warranty				
306A-001	WARRANTY, CHASSIS, STANDARD 1 YEAR COVERAGE	INC	Factory Installed	Non Discountable - Cost	
306A-0041	WARRANTY, CUMMINS STANDARD, 2 YEAR	INC	Factory Installed	Non Discountable - Cost	
306A-0041 AT	WARRANTY, CUMMINS STANDARD, 2 YEAR AFTERTREATMENT	INC	Factory Installed	Non Discountable - Cost	
306A-0014	WARRANTY, ALLISION, 3 YR EDGE II PARTNER STANDARD	INC	Factory Installed	Non Discountable - Cost	
	Extended Warranty Options				
	ALL EXTENDED WARRANTY PRICES ARE AT COST FROM THE MANUFACTURER		Factory Installed	PRICED AT COST	PRICED AT COST
	CHASSIS EXTENDED COVERAGE				
306A-002	WARRANTY, CHASSIS, 1 YEAR EXT, 2 YEAR COVERAGE, EPA	\$ 1,133.00	Factory Installed	Non Discountable - Cost	
306A-0003	WARRANTY, CHASSIS, 2 YEAR EXT, 3 YEAR COVERAGE, EPA	\$ 1,687.00	Factory Installed	Non Discountable - Cost	
306A-0004	WARRANTY, CHASSIS, 3 YEAR EXT, 4 YEAR COVERAGE, EPA	\$ 2,060.00	Factory Installed	Non Discountable - Cost	
306A-0005	WARRANTY, CHASSIS, 4 YEAR EXT, 5 YEAR COVERAGE, EPA	\$ 2,337.00	Factory Installed	Non Discountable - Cost	
	CUMMINS EXTENDED COVERAGE				
306A-0101	WARRANTY, CUMMINS X12 W/ TOWING, 3 YR, 300,000 MI, PLAN 1, EPA/NON-CARB	\$ 2,060.00	Factory Installed	Non Discountable - Cost	
306A-0135	WARRANTY, CUMMINS X12 AFTERTREATMENT, 3 YR, 300,000 MI	\$ 607.00	Factory Installed	Non Discountable - Cost	
306A-0105	WARRANTY, CUMMINS X12 W/ TOWING, 4 YR, 400,000 MI, PLAN 1, EPA/NON-CARB	\$ 3,327.00	Factory Installed	Non Discountable - Cost	
306A-0139	WARRANTY, CUMMINS X12 AFTERTREATMENT, 4 YR, 400,000 MI	\$ 1,340.00	Factory Installed	Non Discountable - Cost	
306A-0042	WARRANTY, CUMMINS L9 W/TOWING, 3 YR, 100,000 MI, PLAN 1, EPA/NON-CARB	\$ 933.00	Factory Installed	Non Discountable - Cost	
306A-0062	WARRANTY, CUMMINS L9 AFTERTREATMENT, 3 YR, 100,000 MI,	\$ 427.00	Factory Installed	Non Discountable - Cost	
306A-0044	WARRANTY, CUMMINS L9 W/TOWING, 4 YR, 150,000 MI, PLAN 1, EPA/NON-CARB	\$ 2,133.00	Factory Installed	Non Discountable - Cost	
306A-0064	WARRANTY, CUMMINS L9 AFTERTREATMENT, 4 YR, 150,000 MI,	\$ 773.00	Factory Installed	Non Discountable - Cost	
306A-0046	WARRANTY, CUMMINS L9 W/TOWING, 5 YR, 100,000 MI, PLAN 1, EPA/NON-CARB	\$ 2,067.00	Factory Installed	Non Discountable - Cost	
306A-0066	WARRANTY, CUMMINS L9 AFTERTREATMENT, 5 YR, 100,000 MI,	\$ 773.00	Factory Installed	Non Discountable - Cost	
306A-0048	WARRANTY, CUMMINS L9 W/TOWING, 5 YR, 200,000 MI, PLAN 1, EPA/NON-CARB	\$ 3,733.00	Vendor Installed	Non Discountable - Cost	
306A-0068	WARRANTY, CUMMINS L9 AFTERTREATMENT, 5 YR, 200,000 MI,	\$ 1,260.00	Vendor Installed	Non Discountable - Cost	
	ALLISION EXTENDED COVERAGE				
306A-0014	WARRANTY, ALLISION, 3000RDS, 2 YR EXT, 5 YR COVERAGE	\$ 1,300.00	Vendor Installed	Non Discountable - Cost	
306A-0020	WARRANTY, ALLISION, 4500RDS, 2 YR EXT, 5 YR COVERAGE	\$ 1,457.00	Vendor Installed	Non Discountable - Cost	
	DANA AXLE EXTENDED COVERAGE				
306A-0030	WARRANTY, DANA, D-170 SERIES, 2 YR EXT, 5 YR COVERAGE	\$ 1,000.00	Vendor Installed	Non Discountable - Cost	

FSA23-VEH21.0 ITEM 83 OPTIONS ALL ROADS KENWORTH, LLC

Manufacturer Order Code	Description	Bid Price	Factory Installed or Vendor Installed?	Factory MSRP Discount % (factory-installed)	Cost-Plus Markup % (vendor-installed)
	DISCOUNTS / NON SCHEDULED OPTIONS / SURCHARGES				
CPPD	Prepayment Discount Available If Chassis is Paid for when delivered to Body Company	Consult Dealer			
Discount 2.10	Dealer Discretionary Discount - Determined By Dealer as Appropriate - When Available				
MSRP20	20% Discount Off Current MSRP For Unspecified Factory Options Including Fees	20%			
NSO25	Non Scheduled Unpublished Options/Bodies Available at Cost + 25% Max	25%			
2025YMES	2025 Year Model or Emissions Surcharge - From Manufacturer - Pass through at cost				
Surcharge 3.06	Surcharges - Charged by Manufacturer - As Provided for in Terms & Conditions 3.06				
Delivery	Delivery Charge - applies to out of Local FSA Zone Deliveries - if required	.			
	<u>TAGS</u>				
TEMP TAG	Temporary Tag	INC			
TRANSFER	Transfer tag	INC			
NEWTAG	New tag: state / city / county	At Cost			



ALL ROADS KEWORTH LLC, LET2-46 ASL NEW WAY 11102022 PROPOSAL



BATTLE
M O T O R S

Date

08/01/2023

Quote Information

202211101258-8521

9000-0435T

1002449-1002458

2024 Sales LET2

Qty: 1

Prepared For

TBD - Stock

Prepared By

Mike Crawford

mike.crawford@allroadstrucks.com

All Roads Kenworth

Shipping Destination: Booneville, MS (New Way)



MODEL		DESCRIPTION	PRICE
9999-CUSTOM-140230	SOURCEWELL	NON-SOURCEWELL	STANDARD
9999-CUSTOM-139414	FUEL TYPE	DIESEL	STANDARD
9999-CUSTOM-83063	BODY APPLICATION	OBS - NEW WAY ASL, SIDEWINDER 31 CY	STANDARD
9999-CUSTOM-142671	SURFACE	OPERATES IN LANDFILL	STANDARD
9999-CUSTOM-83335	PRODUCT AVAILABILITY	ORDER MAJOR COMPONENTS - LEAD TIME / AVAILABILITY	STANDARD
9999-CUSTOM-83099	CARB/EPA	EPA / NON-CARB	STANDARD
9999-CUSTOM-83038	FRAME - WHEELBASE	218 WHEELBASE	STANDARD
9999-CUSTOM-83057	FRAME SILLS	DOUBLE SILLS	\$1,771
9999-CUSTOM-142332	FRAME SILL LENGTH	30' FRAME SILLS	STANDARD
9999-CUSTOM-82526	CAB STYLE	LET2 STANDARD CAB WITH EXTERIOR SUNVISOR	STANDARD
9999-CUSTOM-82531	CAB / DOORS	LET2 STANDARD CAB, W/VISOR, LH ELECTRIC ROLL-UP / RH ELECTRIC ROLL-UP DOORS	STANDARD
9999-CUSTOM-82490	DRIVE TYPE	DUAL DRIVE, RH SIT-DOWN	STANDARD
9999-CUSTOM-83079	ENGINE MODEL	CUMMINS L9, LET2	STANDARD
9999-CUSTOM-83085	TRANSMISSION MODEL	ALLISON 4500RDS, LET2	STANDARD
1000-3227	ENGINE	CUMMINS 2022 L9, 350 HP, A/C, 4500RDS TRANSMISSION, W/O ENGINE BRAKE, LET2	STANDARD
1007-1147	TRANSMISSION	TRANSMISSION ALLISON 4500RDS, L9, TC-521, NON-RETARDER	STANDARD
9999-CUSTOM-83065	REAR SUSPENSION MODEL	HMX-460 - HENDRICKSON HAULMAAX, 46,000 LBS RATED	STANDARD
9999-CUSTOM-83049	REAR DRIVE AXLE MODEL	D46-170 - REAR DRIVE AXLE	STANDARD
1200A-0202	REAR DRIVE AXLE	REAR AXLE, D46-170HP, 16.5 X 8.62, 5.57, STD DIFF, BAR PIN	\$8,601
1201-1519	REAR SUSPENSION	REAR SUSPENSION, D46-170HP, HMX-460, 1.5/11, DBL SILLS	\$3,184
1500-5041	FRAME	FRAME ASSEMBLY, 218 WB, 30' DBL SILL, HMX , STANDARD , LET2	-\$546

QUOTATION

202211101258-8521

DATE

August 01, 2023

CHASSIS		DESCRIPTION	PRICE
9999-CUSTOM-142363	ENGINE PTO ADAPTER	1350/1410 FEPTO ADAPTER	STANDARD
2000-4813	DECALS - CHASSIS EXTERIOR	DECALS, EXTERIOR, DIESEL,TRANSYND	STANDARD
2003-0614	HVAC - CHASSIS	HVAC, LET2 STD CAB, L9/L9N, AURORA NON-BLENDING	STANDARD
2201-0119	WINDSHIELD WIPERS - CHASSIS	WINDSHIELD WIPERS, DUAL DRIVE	STANDARD
1010-1222	AIR CLEANER	AIR CLEANER, CUMMINS L9, CUMMINS OPTI-AIR, LET2	STANDARD
2103-0293	ELECTRICAL, ENGINE	ELECTRICAL, ENGINE, CUMMINS L9, 500K BAUD	STANDARD
1006-1125	ENGINE MOUNTING	ENGINE MOUNTING, CUMMINS L9/L9N, DOUBLE SILLS, 4500RDS	\$1,064
2200-1827	GAUGE - ENGINE OIL TEMP GAUGE	GAUGE, SINGLE, ENGINE OIL TEMPERATURE, L9/L9N	\$57
1802-0076	CAB MOUNTING	CAB MOUNTING - LET2 STANDARD CAB	STANDARD
1502-0580	FRAME - FRONT EXTENSION	FRONT FRAME EXTENSION, WIDE FLANGE FLAT BUMPER	STANDARD
1503-2963	OVER ENGINE CROSSMEMBER	OVER ENGINE CROSSMEMBER, OFFSET RH SIDE RADIATOR, LET2	STANDARD
2100-3347	ELECTRICAL, BASE, CHASSIS	ELECTRICAL, BASE, CHASSIS, 500K BUAD, DIESEL/CNG	STANDARD
1908-0090	AIR PIPING, REAR AXLE	AIR PIPING, HMX REAR SUSPENSION, 6S/6M	\$550
1204-0227	REAR BUMP BLOCKS	REAR BUMP BLOCK, CAST BOLT ON, HMX	\$183
1402-0629	POWER STEERING RESERVOIR	POWER STEERING RESERVOIR, 4 QT, 2021 L9/L9N, TRW PUMP, LET2	STANDARD
1401-0331	STEERING COLUMN CHASSIS (LH)	STEERING COLUMN, CHASSIS - LET2, LHD, TILT, W/CRUISE, 18" WHEEL	STANDARD
1401-0333	STEERING COLUMN CHASSIS (RH)	STEERING COLUMN, CHASSIS - LET2, RHD, TILT, W/CRUISE, 18" WHEEL	STANDARD
1400-0715	STEERING GEAR	STEERING GEAR, XD-120, RH/DUAL DRIVE, STANDARD CAB, LET2	\$547
2501-1525	TRANSMISSION OIL PIPING	TRANSMISSION PIPING-L9/L9N/X12, 3000RDS/4000RDS	STANDARD
9999-CUSTOM-140304	FRAME MODIF, CENTER BEARING DRILLING	NO OPTION, CENTER BEARING DRILLING	STANDARD

OPTIONS, CHASSIS		DESCRIPTION	PRICE
1100A-0059	FRONT STEER AXLE	FRONT STEER AXLE, D2000F, STD TRK, 24" CMBR, >190" WB, 16.5 X 7 ES1100 BRAKES	\$480
1101-0638	FRONT SUSPENSION	FRONT SUSPENSION, D2000F, (4) TAPER LEAF, STD SHOCKS	STANDARD
2000-4734	LUBE, REAR DRIVE AXLE	LUBE, REAR AXLE, STANDARD, D46-170P AXLE 85W-140	\$147
1003A-0050	DEF TANK	DEF TANK, MTD LH BEHIND FENDER, LH 32/38, B6.7/L9	\$337
1003-0971	FUEL TANK	DIESEL FUEL TANK, SINGLE 80 GAL ROUND, ALUMINUM, W/O DRAIN	-\$766
2503-0841	FUEL PIPING / FILTER	FUEL PIPING, L9, F.T. LH 80/104, DEF TANK LH, LET2	-\$7
2101-0645	BATTERY BOX	BATTERY BOX, (3) 950 CCA BATTERIES, W/ DISCONNECT SWITCH, PLASTIC COVER	\$509
1503-2281	BATTERY BOX SPACERS	BATTERY BOX SPACERS, LOWERS 8.5" BELOW TOP OF FRAME	STANDARD
2100-2518	ELECTRICAL, BATTERY DCS INDICATOR LIGHT	BATTERY DISC SWITCH, 1" AMBER INDICATOR (PILOT LIGHT) AT BATTERY BOX	\$49
2000-4842	ELECTRICAL, BATTERY CABLES	BATTERY/ALT CABLES, L9/L9N/ISX12N, BATT BOX LH 50/62, DISC SWITCH	\$1,264
2100-2983	ELECTRICAL, POWER FEED HARNESS	ELECTRICAL, POWER FEED, L9/X12, LH UP TO STA. 50	\$145
1010A-0052	AIR CLEANER STACK	AIR CLEANER STACK, W/O PRECLNR, LET2	STANDARD
1004A-0054	EXHAUST STACK	FLARED ELBOW EXHAUST STACK, CHROME PLATED, 36" LONG	\$400
2100-3361	ENGINE, ALTERNATOR	ALTERNATOR, DELCO 55 SI, 12V, 430 AMP, L9/L9N/ISX12N	STANDARD
2500-0126	ENGINE COOLING, OPTIONS	REMOTE COOLANT FILL, RH FENDER MOUNTED	\$521
2000-4701	ENGINE, DIPSTICK/OIL FILL	ENGINE DIPSTICK MTG ONLY, L9/L9N	STANDARD
162X-0494	ENGINE PROGRAMMING PARAMETERS	ENGINE PRGM-B6.7/L9, A/C, NO IDLE SHUTDOWN, 1450 RPM TA, 65 MPH	STANDARD
2502-0800	AIR DRYER	AIR DRYER, BENDIX, AD-IP, LH INSIDE SILL FRONT	\$30
1910-0464	AIR PIPING, AIR DRYER	AIR DRYER PIPING - AD9EP/AD-IP, LH STA. 80 INSIDE SILL / FRONT	\$6

QUOTATION

202211101258-8521

DATE

August 01, 2023



OPTIONS, CHASSIS		DESCRIPTION	PRICE
2502-0827-CAB	AUTO NEUTRAL	PARK BRAKE AUTO NEUTRAL	\$271
2100-3338	ELECTRICAL, TCM	TCM-ALLISON, 4500RDS, DUAL DRIVE, TC521, 6 SPD, 145 AG, L9	-\$1
1502-0629	FRONT BUMPER	FRONT BUMPER, WIDE FLANGE FLAT BUMPER	STANDARD
1801-0591	FENDERS, FRONT	FENDER, FRONT - BLACK PLASTIC, LET2	STANDARD
2003-0574	ENGINE, BLOCK HEATER	ENGINE BLOCK HEATER, L9/L9N, 120V IND LT, 1000W, FLAT BUMPER	\$378
1600-4855	PROPSHAFT	PROPSHAFT, 218" WB, L9/L9N, 4500RDS, D-170/190	\$711
1503-2859	AIR PIPING, FRAME SUPPORTS	FRAME AIR PIPING SUPPORTS, >190" WB, TANDEM AXLE, DOUBLE SILLS	\$55
1906-0776	AIR PIPING, FRAME	FRAME AIR PPG - (3) STEEL AIR TANKS, LET2, W/ CENTRALIZED DRAINS	STANDARD
1904-0071	AIR PIPING, OPTIONAL AUTOMATIC DRAIN VALVES	BENDIX NON-HEATD DV-2 AUTOMATIC DRAIN VALVE @ (3) AIR TANKS	\$229
1906-0434	AIR PIPING, OPTIONAL CHARGE VALVE	SCHRADER CHARGE VALVE @ AIR DRYER	\$61
9999-CUSTOM-142071	AIR SUSPENION OVERRIDE	NO OPTION - AIR SUSP DUMP VALVE, CHASSIS	STANDARD
2000-4582	AIR HORN, CHASSIS	AIR HORN, DUAL TONE, UNDER CAB	\$791
2000-2215	BACK-UP ALARM	BACK-UP ALARM, ECCO 575, 107DB	STANDARD
9999-CUSTOM-139179	RETAINER CABLES	NO OPTION-RETAINER CABLES	STANDARD
2-515-4787-0139	TIRES/WHEELS - FRONT STEER AXLE	COOPER SEVERE SERIES MSA, 315/80R22.5, 20/L, ACCURIDE, ALUMINUM, XTRA POLISH FINISH, 2.14" INSET	\$389
8-515-4787-0140	TIRES/WHEELS - DRIVE AXLE	COOPER SEVERE SERIES MSA, 315/80R22.5, 20/L, ACCURIDE, ALUMINUM, XTRA POLISH FINISH, 7.00" OUTSET	\$5,986
2501-1541	OIL PIPING, CAB TILT	CAB TILT, LET2, ELEC PUMP, ELEC. FAN, NO PLOW	STANDARD
1005-1883	ENGINE COOLING	RADIATOR; CUMMINS 2021 L9, OFFSET RADIATOR LET2	STANDARD
1004-2077	EXHAUST	EXHAUST, 2021 CUMMINS L9, 260-350 HP, LET2 OFFSET RAD.	STANDARD
9999-CUSTOM-140340	TRAILER BRAKES	NO OPTION - TRACTOR PROTECTION VALVE	STANDARD

**KW OF SF STOCK UNITS LET2-46 ASL NEW WAY 11102022
PROPOSAL**

OPTIONS, CAB		DESCRIPTION	PRICE
1803-0087-CAB	CAB - DOOR (LH)	STANDARD DOOR, LH, ELECTRIC ROLL UP	STANDARD
1804-0086-CAB	CAB - DOOR (RH)	STANDARD DOOR, RH, ELECTRIC ROLL UP	STANDARD
1806-1332-CAB	CAB - MIRROR (LH)	WEST COAST MIRROR, LH STANDARD DOOR, 16 X 7 HEATED	\$81
1808-0120-CAB	CAB - MIRROR (RH)	WEST COAST MIRROR, RH STANDARD DOOR, 16 X 7 HEATED	\$39
1806-1294-CAB	CAB - MIRROR, SPOT	MIRROR, SPOT - (2) LH / (2) RH, TOP & BOTTOM MIRROR ARMS, 8" ROUND, SS, HEATED	\$454
1401-0331-CAB	STEERING COLUMN CAB (LH)	STRG COLUMN ASSY - LET2, LHD,TILT, W/CRUISE, 18" WHEEL	STANDARD
1401-0333-CAB	STEERING COLUMN CAB (RH)	STEERING COLUMN, CAB - LET2, RHD, TILT, W/CRUISE, 18" WHEEL	\$1,455
9999-CUSTOM-82609	RADIO OPTION - AM/FM/BLUETOOTH/HANDS FREE	RADIO - MOUNTED ON LH SIDE CAB, AM/FM/MP3/USB/BLUETOOTH/HANDS FREE	STANDARD
2003-0614-CAB	HVAC - CAB	HVAC, LET2 STD CAB, L9/L9N, AURORA NON-BLENDING	STANDARD
2003-0369-CAB	CAB - DEFROST FANS	CAB DEFROST FANS, 2-SPD, DUAL FANS, LH & RH OVERHEAD CONSOLE	STANDARD
2100-3405-CAB	CAB, ELECTRICAL - IGNITION	CAB, IGNITION (6) KEYS D250, STD/BI-FOLD DOOR C250	\$15
2202-0050-CAB	CAB - DASH/INSTRUMENTATION	ANALOG GAUGES, DUAL DRIVE, RH FULL, DIESEL, MPH, LET2	\$2,040
2200-1827-CAB	CAB - GAUGES - ENGINE OIL TEMPERATURE	GAUGE, SINGLE, ENGINE OIL TEMPERATURE, L9/L9N	\$120
2200-1812-CAB	CAB - GAUGES - MISC OPTIONS	GAUGE, FILTERMINDER, DASH MOUNTED	\$64
2100-3081-CAB	CAB - LIGHTING OPTIONS	MAXXIMA STROBE LIGHTS, ON EXTERIOR VISOR, LET2	\$433
1907-0458-CAB	CAB - AIR PIPING	CAB AIR PIPING, DUAL DRIVE, RH SIT-DOWN SEATING, RH FOOTREST, LET2/LET2CC	STANDARD
2000-4298-CAB	CAB - FIRE EXTINGUISHER	FIRE EXTINGUISHER, 10#, ABC, SHIP LOOSE	\$273
2000-4119-CAB	CAB - FIRST AID KIT	MISC ASSY-FIRST AID KIT,ZEE #42,SHIP LOOSE	\$114
2000-1632-CAB	CAB - TRIANGLE KIT	TRIANGLE KIT-WARNING, SHIP LOOSE	\$61
1810-0061-CAB	CAB GRILLE	BATTLE GRILLE, SMOOTH FLAT BLACK	STANDARD

QUOTATION

202211101258-8521

DATE

August 01, 2023

OPTIONS, CAB SEATS		DESCRIPTION	PRICE
9999-CUSTOM-82616	CAB - SEAT MATERIAL	SEAT - ASPHALT CLOTH	STANDARD
2001-0488-CAB	CAB - SEATS (LH)	SEAT AIR RIDE, SEARS C2, ASPHALT CLOTH, LH, LET2	-\$25
2011-0267-CAB	CAB - SEATS (RH)	SEAT AIR RIDE, SEARS C2, ASPHALT CLOTH, RH, LET2	\$157
2000-4771-CAB	CAB - SEAT BELTS (LH)	SEAT BELT, BLACK, LH SIDE, AIR RIDE SEAT, LET2	\$14
2000-4856-CAB	CAB - SEAT BELTS (RH)	SEAT BELT, BLACK, RH SIDE, AIR RIDE SEAT, LET2	\$14

CAB	DESCRIPTION	PRICE
1800-1894-CAB	CAB MODEL CAB ASSY, GREEN GLASS, NO ROOF VENTS, W/VISOR, LET2	STANDARD
1809-0175-CAB	CAB - OVERHEAD CONSOLE / RADIO OVERHEAD CONSOLE, DUAL DRIVE, MTD LH SIDE AM/FM/BLUETOOTH/HANDS FREE RADIO, HVAC CONTROLS, LET2	\$100
1809-0167-CAB	CAB - FLOOR GRIP TAPE FLOOR GRIP TAPE INSTALLATION, LET2	STANDARD
1001-0960-CAB	CAB - ACCELERATOR PEDAL ACCELERATOR PEDAL, CUMMINS, DUAL DRIVE	\$542
2100-3347-CAB	CAB - BASE ELECTRICAL ELECTRICAL, BASE, 500K BUAD, AUTOCRAFT HEADLIGHT	STANDARD
2000-4561-CAB	CAB - GRAB HANDLES (LH) LH GRAB HANDLE BLACK OUTSIDE, STANDARD DOORS	STANDARD
2000-4862-CAB	CAB - GRAB HANDLES (RH) RH GRAB HANDLE BLACK OUTSIDE, STANDARD DOORS	STANDARD
9999-CUSTOM-82818	CAB, ELEC - DOOR WINDOWS - SWITCH COUNT DUAL DRIVE, LH E/R, RH E/R	STANDARD
2100-3352-CAB	CAB, ELECTRICAL - DOOR WINDOWS CAB, ELECTRICAL, POWER WINDOWS, 4 SWITCHES	\$14
2000-4582-CAB	CAB - AIR HORN AIR HORN, DUAL TONE, UNDER CAB	\$50
1908-0090-CAB	CAB AIR PIPING, REAR AXLE CAB AIR PIPING, HMX REAR SUSPENSION, 6S/6M	\$32
2000-4809-CAB	DECALS - CAB INTERIOR DECALS, INTERIOR, DUAL DRIVE, DIESEL	\$21
1810-0043-CAB	CAB - MISC COMPONENTS CAB MODIF - LET2 COMPONENTS, LH/RH STEEL PANELS	STANDARD
9999-CUSTOM-		



CAB	DESCRIPTION	PRICE
142070	AIR SUSPENSION OVERRIDE NO OPTION - AIR SUSP DUMP VALVE, CAB	STANDARD

PAINT	DESCRIPTION	PRICE
356-0322	PAINT, CAB PAINT, CAB, STANDARD WHITE, G2-3460715-A	STANDARD
356-0323	PAINT, CHASSIS PAINT, CHASSIS, STANDARD BLACK, G2-2B1738	STANDARD
356-0329	PAINT, BUMPER PAINT, BUMPER - STANDARD BLACK, G2-2B1738	STANDARD

WARRANTY	DESCRIPTION	PRICE
306A-0001	WARRANTY, CHASSIS WARRANTY, CHASSIS, STANDARD, 1 YEAR, COVERAGE	STANDARD
306A-0041	WARRANTY, ENGINE WARRANTY, CUMMINS STANDARD, 2 YEAR	STANDARD
9999-CUSTOM-83306	WARRANTY, ENGINE MAJOR COMPONENTS NO OPTION-WARRANTY, MAJOR COMPONENTS	STANDARD
9999-CUSTOM-83307	WARRANTY, AFTERTREATMENT WARRANTY, CUMMINS STANDARD, 2 YEAR	STANDARD
306A-0013	WARRANTY, TRANSMISSION WARRANTY, ALLISION, 3 YR EDGE II PARTNER STANDARD	STANDARD
306A-0022	WARRANTY, DRIVE AXLE WARRANTY, STANDARD 2 YEAR	STANDARD

CUSTOM OPTIONS	DESCRIPTION	PRICE
9999-CUSTOM-141986	AIR PIPING, AIR DRYER (QUOTE ONLY) NO OPTON (AVAILABLE IN UPPER SELECTION)	STANDARD

**KW OF SF STOCK UNITS LET2-46 ASL NEW WAY 11102022
PROPOSAL**

VEHICLE SPECIFICATION SUMMARY	UNIT	DESCRIPTION
MODEL		SALES LET2
ENGINE		CUMMINS 2022 L9, 350 HP, A/C, 4500RDS TRANSMISSION, W/O ENGINE BRAKE, LET2
PEAK POWER	HP	350
PEAK TORQUE	NM	1050 @ 1200
TRANSMISSION		TRANSMISSION ALLISON 4500RDS, L9, TC-521, NON-RETARDER



DESCRIPTION	PRICE
BASE MSRP	\$255,000
OPTIONS	\$33,537
CUSTOM REQUESTED OPTIONS	\$0
DEALER MSRP	\$288,537
DESTINATION CHARGE (BOONEVILLE, MS (NEW WAY))	\$2,598
WARRANTIES & OPTIONS	
WARRANTY, CHASSIS, STANDARD, 1 YEAR, COVERAGE	\$0
WARRANTY, ALLISION, 3 YR EDGE II PARTNER STANDARD	\$0
WARRANTY, STANDARD 2 YEAR	\$0
WARRANTY, CUMMINS STANDARD, 2 YEAR	\$0
NO OPTION-WARRANTY, MAJOR COMPONENTS	\$0
WARRANTY, CUMMINS STANDARD, 2 YEAR	\$0
NON-SOURCEWELL	\$0
SUBTOTAL	\$0

CUSTOMER

BATTLE MOTORS, INC.

DATE

DATE

We recognize our business exists only by achieving our customer's expectations for our products and services. We operate in an environment of continual improvement, and strive to be performance driven, operating with teamwork and integrity. Thank you for your interest in partnering with Battle Motors to provide the solutions you need.

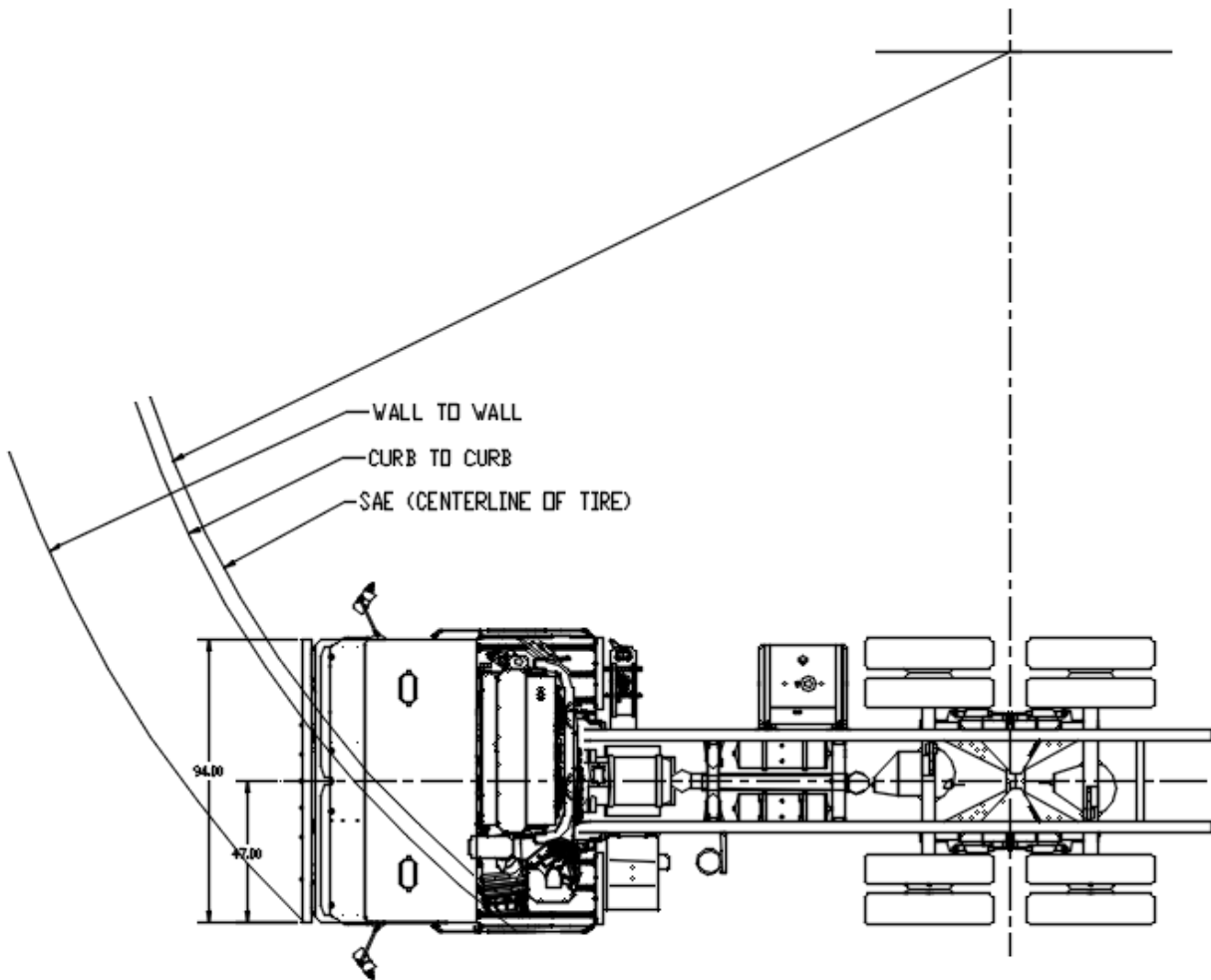
Specifications are indicative of a standard build and are subject to change without notice.



AXLE POSITION	AXLE MODEL	AXLE/SUSP RATING (LBS)	SINGLE OR DUAL	WHEEL SIZE AND RATING (SIZE / LOAD @ PRESSURE)	TIRE SIZE AND RATING** (SIZE / LOAD @ PRESSURE / SPEED)	GAWR (LOAD @ PRESSURE / SPEED)
FRONT	D2000F	20,000	S	22.5 X 9.00 / 10,000 @ 130	315/80R22.5L/20 / 10,000 @ 130 / 68	20,000 @ 130 / 68
1ST INTERMEDIATE	D46-170HP	23,000	D	22.5 X 9.00 / 10,000 @ 130	315/80R22.5L/20 / 9,090 @ 130 / 68	23,000 @ 130 / 68
2ND INTERMEDIATE						
3RD INTERMEDIATE						
LAST	R46-170H	23,000	D	22.5 X 9.00 / 10,000 @ 130	315/80R22.5L/20 / 9,090 @ 130 / 68	23,000 @ 130 / 68
DRIVETRAIN GVWR (LBS)						66,000
ENGINE APPLICATION GVWR (LBS)						66,000
TRANSMISSION APPLICATION GVWR (LBS)						80,000
TRUCK GVWR (LBS)						66,000



COMPONENT	LOCATION
AIR DRYER	LH STA. 80 INSIDE SILL / FRONT
AIR TANKS	122/140
BATTERY CABLES	LH STA. 50/62
DEF TANK	LH STA. 32/38
DIESEL FUEL TANK	LH STA. 80/104



ESTIMATED VEHICLE TURNABILITY - TURN RADIUS (FEET) (+/- 5%)

SAE - TIRE CENTERLINE TO TIRE CENTERLINE (FT)	37
CURB-TO-CURB (FT)	38
WALL-TO-WALL (FT)	40



ESTIMATED VEHICLE WEIGHT DISTRIBUTION (LBS) - FULLY WET WITH 200# DRIVER (+/- 5%)

FRONT AXLE GROUND LOAD (LBS)	11,840
REAR AXLE GROUND LOAD (LBS)	6,901
TOTAL VEHICLE WEIGHT (LBS)	18,741

FRAME MEASUREMENT	VALUE	UNIT
CA/CT (CAB-TO-AXLE)	194	INCHES
AF (AFTER FRAME)	85	INCHES



LOCATION	SELECTION
BATTERY BOX	PC BLACK
BUMPER	STANDARD BLACK
CAB	STANDARD WHITE
CAB CLEAR COAT	N/A
CAB STRIPES	N/A
CAB WINDSHIELD GUARD	N/A
CHASSIS	STANDARD BLACK
FRONT WHEELS	XTRA POLISH
FUEL TANK	BRUSHED ALUMINUM
REAR WHEELS	XTRA POLISH

Tampa Crane & Body



PURCHASE AGREEMENT

QUOTE NUMBER	QUOTE DATE	VALID FOR	CHASSIS MUST ARRIVE BY /DAYS	SALESPERSON	EST. DELIVERY UPON ORDER RECEIPT	FOB POINT	TERMS
BP100623	10/6/23	30 days	TBD	Brandon Pritchett	TBD	Tampa	Upon receipt

CUSTOMER INFORMATION:

Customer: All Roads Kenworth/City of Madeira Beach Contact: Mike Crawford
 Address: 2909 S. Andrews Ave. City, State & Zip: Fort Lauderdale, FL 33316
 Phone: _____ Cell Phone: 352-427-5462 Email address: mcrawford@allroadstrucks.com

VEHICLE AND EQUIPMENT:

Body: Heil DP Python – 33 yd	Chassis:	Additional Equipment:
Front mount vane pump 3/16" hopper & body floor liner Belt grabbers with spring loaded inner arm Hopper & lift work light Integrated grabber work light Multi-function strobe lights Body side backing assist lights 3 rd Eye 4 camera system 20 lb. fire extinguisher Fender extension kit Hopper hood Grabber interlock kit Sump chutes Broom & shovel kit		

TERMS OF SALE:

1. Purchase Price		\$ <u>187,000.00</u>
2. Additional Equipment Purchase Price (each):		\$ _____
3. Total Price (each): (Line 1 plus Line 3)		\$ _____
4. Grand Total: (Quantity of 1)		\$ <u>187,000.00</u>
5. Net Amount of Trade-In (s): (Complete description below:)		\$ _____
6. Cash Price less Net Trade-In: (Line 4 minus Line 5)		\$ _____
8. Sales Tax: (Taxable amount Line 4 minue Line 5)		\$ _____
9. Federal Excise Tax: (Full amount of line 4)	x 12%=	\$ _____
10. Title & Registration Fee:		\$ _____
11. Freight:		\$ <u>2,500.00</u>
Delivery Notes:		
12. Extras: (warranty, etc.)		\$ _____
Extras Description:		
13. Total Amount Due from customer:		\$ <u>189,500.00</u>

Trade_in information

	Year	Make	Model	Miles/ Hours	Trade Amount
1.					
2.					
3.					

TERMS AND CONDITIONS:

1. Customer's responsibilities. Customer agrees to pay Tampa Crane & Body (TC&B) all charges required by law to be collected, including without limitation all tag, title, license, and all federal, state, and local taxes. Although TC&B has used its best efforts to accurately state the amounts due under this Agreement, Customer remains liable for any additional amounts which may be assessed by law against TC&B. Unpaid or past due balances will be assessed a 1.5% per month interest charge, (18% per annum).

2. Deposit. Should TC&B fail to accept this offer or be unable to deliver the vehicle as promised, Customer's sole remedy against TC&B shall be a return of the deposit as liquidated damages. Should Customer fail to take delivery of the vehicle for any reason or otherwise breach this agreement, TC&B may elect to retain the deposit, and sue for any actual damages incurred by TC&B for work done, costs incurred, and for any incidental or consequential damages caused by Customer's breach.

3. Warranties. All used vehicles are sold "AS IS, WITHOUT WARRANTY", either express or implied. **TC&B SPECIFICALLY DISCLAIMS ALL WARRANTIES OF MERCHANTABILITY OR FITNESS FOR A PARTICULAR PURPOSE, AND ALL OTHER REPRESENTATIONS TO THE CUSTOMER NOT EXPRESSLY SET FORTH IN THIS AGREEMENT.** No other person is authorized to make any representations or warranties on behalf of TC&B, unless made or assumed in writing by TC&B.

4. Limitation of Liability. Customer shall have the right to fully inspect the vehicle at the time of delivery. Acceptance of the vehicle constitutes Customer's waiver of all claims against TC&B for all actual, incidental or consequential damages, including without limitation: a) loss, damage or delays for any reason; b) failure to supply any property ordered hereunder unless TC&B receives notification of such failure within one week of delivery; c) loss of use, loss of time, lost profits or income; d) changes in design, materials or specifications explicitly specified by the Customer; e) modifications to the vehicle that the Customer specifies to be performed by others; and f) defects in design, materials or workmanship unless TC&B receives notification of such defects within one week of delivery.

Customer shall defend, indemnify and hold harmless TC&B and its subsidiaries and affiliated companies, their officers, agents and employees against all loss, liability and expense, including reasonable attorney's fees, by reason of bodily injury including death, and property damage, sustained by any person or persons including but not limited to the officers, agents and employees of Customer, as a result of the Customer's maintenance, use, operation, servicing, transportation, defect in or failure of the vehicle, whether such bodily injury, death or property damage is due or claimed to be due in whole or in part, to any neglect, default, defect, fault, failure, act or omission, by or on behalf of TC&B, its officers, agents and employees or any other person, including but not limited to any claims of strict liability in tort, breach of warranty, and/or negligence.

5. Modifications by Others. Customer acknowledges that any requested modifications to the vehicle that the Customer specifies to be performed by others are Customer's sole responsibility, and Customer shall reimburse TC&B for the cost of such modifications, regardless of whether Customer takes delivery of the vehicle. TC&B is not liable for any defects in design, materials or workmanship, or any errors or omissions by such third parties.

6. Miscellaneous. Risk of loss shall pass to the Customer upon acceptance of delivery of the vehicle. A facsimile of this agreement shall have the same legal effect as an original hereof. Venue for any actions involving this agreement, including counterclaims, crossclaims or third-party claims shall be exclusively in Hillsborough County, Florida, and this agreement shall be construed under the laws of the State of Florida. This agreement may not be assigned by Customer. This agreement expresses the entire agreement of the parties. If any part hereof is contrary to, prohibited by or deemed invalid under applicable laws or regulations of any jurisdiction, such provision shall be inapplicable and deemed omitted but shall not invalidate the remaining provisions hereof. In the event that TC&B is required to employ an attorney to enforce any of the terms of this agreement, Customer shall be liable for all reasonable attorney's fees and costs, regardless of whether suit is instituted, through and including all trials, appeals and bankruptcy proceedings.

I HAVE READ AND UNDERSTAND THE ABOVE TERMS AND CONDITIONS.

CUSTOMER:

TAMPA CRANE REPRESENTATIVE:

Signature

Print Name

Title

Customer PO Number

Date

Signature

Print Name

Title

Date

Contact Email

Contact Cell

TAMPA CRANE AND BODY

5701 N 50th Street, Tampa, FL 33687

(813) 246-5510 (Office)

(813) 246-5322 (Fax)