

November 8, 2023



All Roads Kenworth, LLC  
2909 South Andrews Avenue, Fort Lauderdale, FL 33316  
Mike Crawford 352-427-5462  
[mcrawford@allroadstrucks.com](mailto:mcrawford@allroadstrucks.com)

City of Madeira Beach  
300 Municipal Drive  
Madeira Beach, FL 33708  
Phone: 727-298-3228  
Attn: Megan Wepfer  
[mwepfer@madeirabeachfl.gov](mailto:mwepfer@madeirabeachfl.gov)



**Florida Sheriffs Association  
FSA23-VEH21.0 Item 83**

Battle LET2 60,000 GVW Refuse Chassis  
with Custom New Way 33CY Automated  
Side Load Body

Code	Bid Specification – Options	Price	Extension
Item #83 66K GVW 1000-3727 CSRB5	2024 Battle LET2 60GVW Refuse Base Chassis	\$ 209,939.00	\$ 209,939.00
	Upgrade to 66,000 GVW	Inc	Inc
	CUMMINS L9, 350 HP, W/O ENGINE BRAKE, LET2	\$ (6,050.00)	\$ (6,050.00)
	New Way Sidewinder Automated Side Loader 33CY		
	Cost = \$187,794 + 5% (inc FSA Fees, Freight, Storage Cost)	\$ 197,184.00	\$ 197,184.00
	Reference attached Body Quote dated October 18, 2023		
Reference:	Note: All Options Include Florida Sheriffs Admin Fee Item 83 Battle LET2 Specifications, Options & Attached Custom Body Quote from Southern Sewer		
	<b>Total Price</b>	<b>\$ 401,073.00</b>	<b>\$401,073.00</b>



**FSA AWARDED  
CONTRACT**

[flsheriffs.org](http://flsheriffs.org) | 850-877-2165  
[cpp@flsheriffs.org](mailto:cpp@flsheriffs.org)

**Florida Sheriffs Association Cooperative Purchasing Program FSA23-VEH21.0 Options**

Bidder: **ALL ROADS KENWORTH LLC**

Item make & model: **BATTLE MOTORS LET 2**

Item number: **83 - 60,000 GVW REFUSE TRUCK**



**DEALER CONTACT: MIKE CRAWFORD 352-427-5462**

[mcrawford@allroadstrucks.com](mailto:mcrawford@allroadstrucks.com)



Manufacturer Order Code	Description	Bid Price	Factory Installed or Vendor Installed?	Factory MSRP Discount % (factory-installed)	Cost-Plus Markup % (vendor-installed)
<b>Item 83</b>	<b><u>2024 - LET2 60K GVW Refuse Chassis Cummins X12 350R Allison 4500RDS</u></b>	<b>\$ 209,939.00</b>		Note: Factory MSRP Discount % is based on CURRENT MSRP at time of Bid - Bid price reflects that discount %	Note: Cost-Plus Markup % is based on base Option/Body cost. The total % indicated includes all costs associated with Bid
	<b><u>ENGINE OPTIONS</u></b>				
1000-3279	CUMMINS L9, 300 HP, W/O ENGINE BRAKE, LET2 <span style="float:right">Credit</span>	\$ (6,488.00)	Factory Installed	MSRP Discount = 20%	
1000-3727	CUMMINS L9, 350 HP, W/O ENGINE BRAKE, LET2 <span style="float:right">Credit</span>	\$ (6,050.00)	Factory Installed	MSRP Discount = 20%	
1000-3266	CUMMINS L9, 350 HP, WITH ENGINE BRAKE, LET2 <span style="float:right">Credit</span>	\$ (4,750.00)	Factory Installed	MSRP Discount = 20%	
1000-3235	CUMMINS L9, 380 HP, W/O ENGINE BRAKE, LET2,	\$ 2,570.00	Factory Installed	MSRP Discount = 20%	
1000-3257	CUMMINS X12 350R WITH ENGINE BRAKE, LET2,	\$ 1,685.00	Factory Installed	MSRP Discount = 20%	
1000-3255	CUMMINS X12 380R W/O ENGINE BRAKE, LET2	\$ 1,296.00	Factory Installed	MSRP Discount = 20%	
	<b><u>CNG ENGINE OPTIONS</u></b>				
83080	CNG - L9N 320 HP Engine, CNG Prep, CNG Exhaust	\$ 20,191.00	Factory Installed	MSRP Discount = 20%	
83082	CNG - ISX12N 350 HP Engine, CNG Prep, (Subject to Availability Thru 2023) <i>Contact Dealer for Availability / Engineering Approval / Current Pricing</i>	\$ 32,622.00	Factory Installed	MSRP Discount = 20%	
1004-2074	CNG - EXHAUST, CUMMINS L9N, LET2	\$ 18,305.00	Factory Installed	MSRP Discount = 20%	
1004-2069	CNG - EXHAUST, 2021 CUMMINS ISX12N, LET2 OFFSET RAD	\$ 20,662.00	Factory Installed	MSRP Discount = 20%	
	<b><u>Allison Automatic Transmission Options</u></b>				
1007-1165	Transmission: Allison 3000RDS 6-speed without Retarder (L9 or L9N ) <span style="float:right">Credit</span>	\$ (4,848.00)	Factory Installed	MSRP Discount = 20%	
1007-1159	Transmission: Allison 3000RDS 6-speed with Retarder (Requires L9 or L9N )	\$ 273.00	Factory Installed	MSRP Discount = 20%	
1007-1150	Transmission: Allison 3500RDS 6-speed with Req. L9 Max 300HP <span style="float:right">Credit</span>	\$ (5,070.00)	Factory Installed	MSRP Discount = 20%	
1007-1220	Transmission: Allison 4500RDS w retarder, (For X12)	\$ 11,055.00	Factory Installed	MSRP Discount = 20%	
1007-1245	Transmission: Allison 4500RDSwith retarder (For X12N)	\$ 10,409.00	Factory Installed	MSRP Discount = 20%	

FSA23-VEH21.0 ITEM 83 OPTIONS ALL ROADS KENWORTH, LLC

Manufacturer Order Code	Description	Bid Price	Factory Installed or Vendor Installed?	Factory MSRP Discount % (factory-installed)	Cost-Plus Markup % (vendor-installed)
<b><u>FRAME / CHASSIS / SUSPENSION OPTIONS</u></b>					
83057	Double Frame Full Insert	\$ 1,742.00	Factory Installed	MSRP Discount = 20%	
66KGVW	Suspension	Inc in Base	Factory Installed	MSRP Discount = 20%	
1200A-0384	Dana D52-590P 52,000 lb. rated axle & Hendrickson HMX-EX-52 52K suspension	\$ 12,384.00	Factory Installed	MSRP Discount = 20%	
83069	RR	\$ 7,746.00	Factory Installed	MSRP Discount = 20%	
Drop Frame	OEM factory built heavy duty dropframe for ASL Recycle Bodies (Requires Engineering Approval)	\$ 15,775.00	Factory Installed	MSRP Discount = 20%	
DCDL	Driver Controlled Differential Lock	\$ 650.00	Factory Installed	MSRP Discount = 20%	
<b><u>LIFT AXLE &amp; SUSPENSION OPTIONS / INC WHEELS &amp; TIRES</u></b>					
1201-1247	Non Steerable Pusher Axle Watson Chalin 20K Inc Tires Steel Wheels	\$ 13,382.00	Factory Installed	MSRP Discount = 22%	
120-1454	Steerable Lift Axle: Watson Chalin 13,200 LB Inc Tires Steel Wheels	\$ 11,864.00	Factory Installed	MSRP Discount = 22%	
<b><u>TIRE / WHEEL OPTIONS</u></b>					
8-515-4787-0140	Tires/Wheels : (8) 315/80R22.5 Continental Tires & Aluminum Wheels	\$ 7,442.00	Factory Installed	MSRP Discount = 20%	
8-515-4787-0075	Tires/Wheels : (8) 315/80R22.5 Continental Tires & Steel Wheels	\$ 6,873.00	Factory Installed	MSRP Discount = 20%	
<b><u>CAB UPGRADE OPTIONS</u></b>					
LNT64	LNT64 Model - 3 Man Cab Includes L9 350HP 4500RDS & 64,000 GVW	Credit \$ (4,688.00)	Factory Installed	MSRP Discount = 20%	
LCF CREW	LCF 4 Man Crew Cab (Subject to Engineering Approval on BEV)	\$ 3,362.00	Factory Installed	MSRP Discount = 20%	
82490	LCF Dual Drive/Steering with Dual Sit Down Option	\$ 14,088.00	Factory Installed	MSRP Discount = 20%	
82516	LCF Left Hand Sit Down & Right Stand Up Steering Option	\$ 13,814.00	Factory Installed	MSRP Discount = 20%	
82493	LCF Right Hand Steering with Right Hand Sit Down Option	\$ 2,452.00	Factory Installed	MSRP Discount = 20%	
82831	Bi-Fold Stay Open Door EACH	\$ 475.00	Factory Installed	MSRP Discount = 20%	
82830	LH or RH Flip Up Flip Forward Door EACH	\$ 347.00	Factory Installed	MSRP Discount = 20%	
1806-1315	19" x 8" split single flat lense over convex rememotr & htd includes turn signal	\$ 1,069.00	Factory Installed	MSRP Discount = 20%	
CVX8	Convex Mirrors 8" Qty 2 - Heated (Additional to Std Convex)	\$ 225.00	Factory Installed	MSRP Discount = 20%	
2202-0083	8" Samsung Digital Dash	\$ 3,730.00	Factory Installed	MSRP Discount = 20%	
<b><u>CAMERA / STROBE / SAFETY / LUBE / FIRE UPGRADE OPTIONS</u></b>					

FSA23-VEH21.0 ITEM 83 OPTIONS ALL ROADS KENWORTH, LLC

Manufacturer Order Code	Description	Bid Price	Factory Installed or Vendor Installed?	Factory MSRP Discount % (factory-installed)	Cost-Plus Markup % (vendor-installed)
RMA 907	Back Up Alarm Upgrade Ecco RMA-907 82-107 dB(A)	\$ 495.00	Factory Installed	MSRP Discount = 20%	
2100-3278	WHELEN LED STROBE LIGHTS, (1) SIDE CAB	\$ 2,750.00	Factory Installed	MSRP Discount = 20%	
2100-3081	MAXXIMA STROBE LIGHTS, ON EXTERIOR VISOR,	\$ 925.00	Factory Installed	MSRP Discount = 20%	
2100-3148-	LED WORK LIGHTS, LH & RH REAR UPPER CAB CORNERS	\$ 525.00	Factory Installed	MSRP Discount = 20%	
2100-2874	DOME LIGHTS OVER LH & RH SEAT POSITIONS, ON-OFF SWITCH LED	\$ 2,750.00	Factory Installed	MSRP Discount = 20%	
AWLED6	(6) Amber LED Strobe Lights 2 Front, 2 Rear, & 2 Side Mount	\$ 2,750.00	Vendor Installed		Cost Plus 25%
LED2	(2) Amber / Amber White Surface Mtd LED Strobes Per Pair	\$ 925.00	Vendor Installed		Cost Plus 25%
BUC	Back Up Camera Dealer Installed	\$ 2,488.00	Vendor Installed		Cost Plus 25%
Brigade BackSense	Brigade Back Up Camera with BackSense Radar	\$ 7,813.00	Vendor Installed		Cost Plus 25%
Brigade 360	Brigade Back Up Camera with 360 System	\$ 10,438.00	Vendor Installed		Cost Plus 25%
2100-3279	CODE 3 LED STROBE LIGHTS, (1) INBOARD HEADLIGHT, (1) SIDE CAB	\$ 525.00	Vendor Installed		Cost Plus 25%
DAFO	DAFO Fire Supression System	\$ 8,725.00	Vendor Installed		Cost Plus 25%
LUBECORE	Automatic Lube System for Refuse Bodies	\$ 9,688.00	Vendor Installed		Cost Plus 25%
Telma	Telma driveline retarder, axial mount, includes 4 batteries (Includes shipping chassis)	\$ 24,500.00	Vendor Installed		Cost plus 35%
	<u>Factory Mounted CNG Tank Package Pricing</u>				
1003-1000	60 DGE AGILITY BOC (BACK OF CAB) 5 TANK, BLACK FRONT BUMPER FILL, CNG FUEL CAP FMM DOOR START INHIBIT	\$ 41,858.00	Factory Installed	MSRP Discount = 20%	
1003-1002	75 DGE AGILITY BOC (BACK OF CAB) 5 TANK, BLACK FRONT BUMPER FILL, CNG FUEL CAP FMM DOOR START INHIBIT	\$ 47,866.00	Factory Installed	MSRP Discount = 20%	
1003-1003	75 DGE AGILITY BOC (BACK OF CAB) 5 TANK, WHITE, FRONT BUMPER FILL, CNG FUEL CAP FMM DOOR START INHIBIT	\$ 44,602.00	Factory Installed	MSRP Discount = 20%	
1003-1010	80 DGE AGILITY BOC (BACK OF CAB) LOW PROFILE, 3 TANK, BLACK FRONT BUMPER FILL, CNG FUEL CAP FMM DOOR START INHIBIT	\$ 46,077.00	Factory Installed	MSRP Discount = 20%	
1003-1029	45 DGE AGILITY LH SIDE MOUNT W/FMM FRONT BUMPER FILL, CNG FUEL CAP FMM DOOR START INHIBIT	\$ 30,730.00	Factory Installed	MSRP Discount = 20%	
1003-1031	60 DGE,AGILITY LHS, FMM, BLUE IQ FRONT BUMPER FILL, CNG FUEL CAP FMM DOOR START INHIBIT	\$ 38,754.00	Factory Installed	MSRP Discount = 20%	
1003-1019	70 DGE Saddle Mount (frame rail mount) CNG fuel tank system in cabinet includes FRONT BUMPER FILL, CNG FUEL CAP FMM DOOR START INHIBIT	\$ 39,200.00	Factory Installed	MSRP Discount = 20%	

FSA23-VEH21.0 ITEM 83 OPTIONS ALL ROADS KENWORTH, LLC

Manufacturer Order Code	Description	Bid Price	Factory Installed or Vendor Installed?	Factory MSRP Discount % (factory-installed)	Cost-Plus Markup % (vendor-installed)
<b><u>CNG Tank Packages Pricing includes Mounting, Shipping</u></b>					
<b><u>Agility</u></b>					
CNG AG30DGERM	Agility CNG Tank 30 DGE Single 30 Rail Mounted	\$ 31,968.00	Vendor Installed		Cost Plus 20%
CNG AG50DGEBOC	Agility CNG Tanks 50 DGE Back Of Cab	\$ 45,648.00	Vendor Installed		Cost Plus 20%
CNG AG60DGERM	Agility CNG Tanks 60 DGE Dual 30 Rail Mounted	\$ 49,179.60	Vendor Installed		Cost Plus 20%
CNG AG60DGEBOC	Agility CNG Tanks 60 DGE Back Of Cab	\$ 45,648.00	Vendor Installed		Cost Plus 20%
CNG AG80DGEBOC	Agility CNG Tanks 80 DGE Back Of Cab	\$ 50,092.80	Vendor Installed		Cost Plus 20%
CNG AG90DGERM	Agility CNG Tanks 90 DGE Dual 45 Rail Mounted	\$ 53,805.60	Vendor Installed		Cost Plus 20%
CNG AG106DGERM	Agility CNG Tanks 106 DGE Back Of Cab	\$ 60,075.60	Vendor Installed		Cost Plus 20%
CNG AG120DGERM	Agility CNG Tanks 120 DGE Dual 60 Rail Mounted	\$ 66,832.80	Vendor Installed		Cost Plus 20%
CNG AGFBF	Front Bumper Fill Port (Either Side)	\$ 2,252.00	Vendor Installed		Cost Plus 20%
CNG AGDFH	35' De-Fueling Hose (Each)	\$ 1,270.00	Vendor Installed		Cost Plus 20%
<b><u>Cummins Clean Power / Momentum</u></b>					
CNG MM60DGESM	Momentum CNG Tanks 60 DGE Dual 30 Rail Mounted	\$ 46,828.00	Vendor Installed		Cost Plus 20%
CNG MM80DGEBOC	Momentum CNG Tanks 80 DGE Back Of Cab	\$ 54,976.00	Vendor Installed		Cost Plus 20%
CNG MM90DGERM	Momentum CNG Tanks 90 DGE (1) 50 & (1) 40 Rail Mounted	\$ 51,037.00	Vendor Installed		Cost Plus 20%
CNG MM95DGEBOC	Momentum CNG Tanks 95 DGE Back Of Cab	\$ 58,230.00	Vendor Installed		Cost Plus 20%
CNG MM120DGERM	Momentum CNG Tanks 120 DGE Dual 60 Rail Mounted	\$ 58,558.00	Vendor Installed		Cost Plus 20%
CNG MM135DGEBOC	Momentum CNG Tanks 135 DGE Back Of Cab	\$ 59,823.00	Vendor Installed		Cost Plus 20%
CNG MM175DGEBOC	Momentum CNG Tanks 175 DGE Back Of Cab	\$ 73,692.00	Vendor Installed		Cost Plus 20%
<b><u>Body Provided CNG Tanks - Priced With Body at time of Quote</u></b>					
CNG Body Tanks	Body Builder Provided CNG Tanks up to 90 DGE	\$ 72,500.00	Vendor Installed		Cost Plus 20%
CNG NW BM	New Way Body Mounted CNG Tanks 75DGE	\$ 66,500.00	Vendor Installed		Cost Plus 20%
CNG HEIL	HEIL Mounted CNG Tanks 60DGE Tailgate, Roof, Transverse, Front Body, Etc	\$ 67,313.00	Vendor Installed		Cost Plus 20%
<i>Additional Capacity = \$9375.00 Per 15 DGE</i>					
<b><u>REFUSE BODY OPTIONS</u></b>					
CSR5	Custom Specified Refuse Bodies Quoted at Current Cost + 15% (Includes FSA Fees)		Vendor Installed		Cost Plus 15%
<b><u>Automated Side Loaders</u></b>					
Heil DP Python	Heil Automated Side Loader DP Python (28yd)	\$ 190,535.00	Vendor Installed		Cost Plus 7%
Heil DP RR	Heil Automated Side Loader DP Rapid Rail (28yd)	\$ 201,110.00	Vendor Installed		Cost Plus 7%
NewWay SW	New Way Sidewinder Automated Side Loader (31yd)	\$ 185,063.00	Vendor Installed		Cost Plus 7%
NWMSW	New Way Sidewinder Severe Duty / MDSW Package (Contact Dealer for Details)	\$ 35,064.00	Vendor Installed		Cost Plus 7%
Labrie AM	Labrie Automizer Automated Side Loader (31 yd)	\$ 204,370.00	Vendor Installed		Cost Plus 7%
LMDSW	Labrie Automizer / MDSW Upgrade Package (Contact Dealer for Details)	\$ 34,990.00	Vendor Installed		Cost Plus 7%
Labrie EHH	Labrie Expert Helping Hand Automated Side Loader (37 yd)	\$ 220,420.00	Vendor Installed		Cost Plus 7%
Load Eclipse	Loadmaster Eclipse 31 cu. yd. Automated Side Loader	\$ 187,809.00	Vendor Installed		Cost Plus 7%
CurbT PP	Curbtender PowerPak 31 cu. yd. Automated Side Loader	\$ 182,105.00	Vendor Installed		Cost Plus 7%
Amrep AMHASL	Amrep Hardox Automated Side Loader Full Push Out AMHASLTPO-19	\$ 169,006.00	Vendor Installed		Cost Plus 7%
Amrep AMSL36	Amrep Hardox Manual Side Loader Full Push Out	\$ 141,812.00	Vendor Installed		Cost Plus 7%
EZP Ranger	EZ-Pack Ranger 31 YD Automated Side Loader	\$ 173,357.00	Vendor Installed		Cost Plus 7%

FSA23-VEH21.0 ITEM 83 OPTIONS ALL ROADS KENWORTH, LLC

Manufacturer Order Code	Description	Bid Price	Factory Installed or Vendor Installed?	Factory MSRP Discount % (factory-installed)	Cost-Plus Markup % (vendor-installed)
	<b><u>Rear Load Refuse Bodies</u></b>				
Heil DP5	Heil DP5000 Rear Loader 25 Cu Yd	\$ 135,007.00	Vendor Installed		Cost Plus 9%
Heil PT	Heil PT Commercial Rear Loader 25 Cu Yd	\$ 140,021.00	Vendor Installed		Cost Plus 9%
Bayne	Bayne (or equivalent) Cart Tipper each	\$ 9,375.00	Vendor Installed		Cost Plus 25%
LOAD Excel	Loadmaster Excel S 31 cu yd high compaction Rearloader	\$ 110,445.00	Vendor Installed		Cost Plus 7%
LOAD EVM	Loadmaster Enviromaster DT - 25 cu yd 60/40 Split-Body Rearloader	\$ 181,673.00	Vendor Installed		Cost Plus 7%
NewWay KC	New Way King Cobra 25RL Rear Loader Refuse Body	\$ 118,249.00	Vendor Installed		Cost Plus 11%
EZ Pack Apollo	EZ-Pack Apollo Rear Loader 25 YD	\$ 104,928.00	Vendor Installed		Cost Plus 11%
EZ Pack G300	EZ-Pack Goliath G300 Rear Loader 31 YD	\$ 111,211.00	Vendor Installed		Cost Plus 11%
EZ Pack G400	EZ-Pack Goliath G400 Rear Loader 25 YD	\$ 124,869.00	Vendor Installed		Cost Plus 11%
AMREP REL	Amrep Hardox Rear Loader Full Push Out AMHRLTPO-25YD	\$ 125,341.00	Vendor Installed		Cost Plus 10%
Leach ZR3-III	Leach ZR3-III Rear-Load 25 YD	\$ 148,200.00	Vendor Installed		Cost Plus 9%
	<b><u>Front Load Refuse Bodies</u></b>				
HEIL FEL	Heil Half/Pack 40 cu. yd. Front Loader	\$ 180,111.00	Vendor Installed		Cost Plus 8%
HEIL FEL LR	HEIL Half/Pack Low Rider 40 cu. yd. Front Loader - designed for residential carry can	\$ 230,318.00	Vendor Installed		Cost Plus 6%
HEIL Curotto	HEIL Curotto Can Assembly	\$ 46,200.00	Vendor Installed		Cost Plus 10%
EZ Pack Herc	EZ-Pack Hercules 40 YD Commercial Front Loader	\$ 159,978.00	Vendor Installed		Cost Plus 8%
New Way Mammoth	New Way Mammoth 40YD Front Loader Refuse Body	\$ 153,741.00	Vendor Installed		Cost Plus 9%
AMREP FEL	Amrep Hardox 40yd Front End Loader Refuse Body	\$ 170,345.00	Vendor Installed		Cost Plus 7%
Titan40	Titan 40 CY Front Loader Refuse Body	\$ 180,882.00	Vendor Installed		Cost Plus 8%
Wittke	Wittke Super Duty 40yd Front End Loader Refuse Body	\$ 184,680.00	Vendor Installed		Cost Plus 7%
	<b><u>Roll Offs</u></b>				
Galbreath U5-OR-174	Galbreath U5 – OR – 174 RollOff Hoist w/ tarper	\$ 79,692.00	Vendor Installed		Cost Plus 16%
Galbreath AF-OR-174	Galbreath AF – OR – 174 RollOff Hoist w/ tarper	\$ 82,800.00	Vendor Installed		Cost Plus 15%
Stellar 65-174	Stellar 65-174 65,000 lbs RollOff Hoist w/ tarper	\$ 110,096.00	Vendor Installed		Cost Plus 12%
Galfab OR 60	Galfab OR 60 60,000 lbs RollOff Hoist w/ tarper	\$ 75,325.00	Vendor Installed		Cost Plus 15%

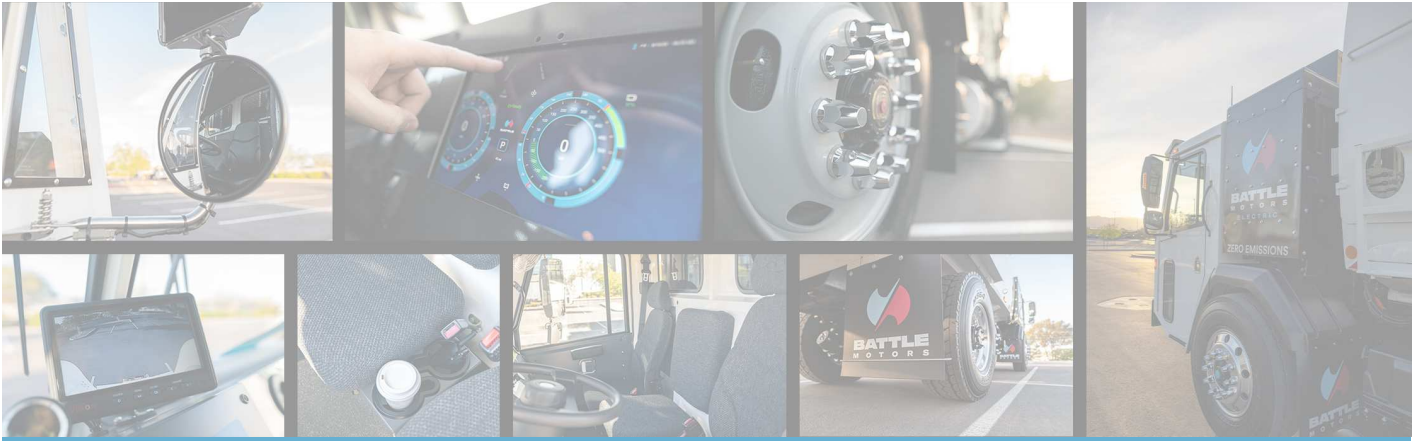
FSA23-VEH21.0 ITEM 83 OPTIONS ALL ROADS KENWORTH, LLC

Manufacturer Order Code	Description	Bid Price	Factory Installed or Vendor Installed?	Factory MSRP Discount % (factory-installed)	Cost-Plus Markup % (vendor-installed)
	<b>Grapple Loaders</b>				
PetersenAL-1	Petersen AL-1 Atlas Grapple w/ 50 C.Y. HardOx Body Inc Strobes,Lights & BU Cam	\$ 170,672.00	Vendor Installed		Cost Plus 7%
ATLAS DWT	Petersen AL-1 Atlas Dual Walk through 24' 40CY HDX Body Quadsticks Strobes,Lights	\$ 173,818.00	Vendor Installed		Cost Plus 7%
Route Assistant 2240	Petersen TR3 Route Assistant Dual Walk through 22' 40CY HDX Body Quadsticks	\$ 169,533.00	Vendor Installed		Cost Plus 7%
PalfingerM100L72	Palfinger M100L72 Dual Walk Thru Hydraulic Loader 27 CY Dump Body/ Single Door	\$ 150,925.00	Vendor Installed		Cost Plus 7%
	<b>Standard Warranty</b>				
306A-001	WARRANTY, CHASSIS, STANDARD 1 YEAR COVERAGE	INC	Factory Installed	Non Discountable - Cost	
306A-0041	WARRANTY, CUMMINS STANDARD, 2 YEAR	INC	Factory Installed	Non Discountable - Cost	
306A-0041 AT	WARRANTY, CUMMINS STANDARD, 2 YEAR AFTERTREATMENT	INC	Factory Installed	Non Discountable - Cost	
306A-0014	WARRANTY, ALLISION, 3 YR EDGE II PARTNER STANDARD	INC	Factory Installed	Non Discountable - Cost	
	<b>Extended Warranty Options</b>				
	ALL EXTENDED WARRANTY PRICES ARE AT COST FROM THE MANUFACTURER		Factory Installed	PRICED AT COST	PRICED AT COST
	<b>CHASSIS EXTENDED COVERAGE</b>				
306A-002	WARRANTY, CHASSIS, 1 YEAR EXT, 2 YEAR COVERAGE, EPA	\$ 1,133.00	Factory Installed	Non Discountable - Cost	
306A-0003	WARRANTY, CHASSIS, 2 YEAR EXT, 3 YEAR COVERAGE, EPA	\$ 1,687.00	Factory Installed	Non Discountable - Cost	
306A-0004	WARRANTY, CHASSIS, 3 YEAR EXT, 4 YEAR COVERAGE, EPA	\$ 2,060.00	Factory Installed	Non Discountable - Cost	
306A-0005	WARRANTY, CHASSIS, 4 YEAR EXT, 5 YEAR COVERAGE, EPA	\$ 2,337.00	Factory Installed	Non Discountable - Cost	
	<b>CUMMINS EXTENDED COVERAGE</b>				
306A-0101	WARRANTY, CUMMINS X12 W/ TOWING, 3 YR, 300,000 MI, PLAN 1, EPA/NON-CARB	\$ 2,060.00	Factory Installed	Non Discountable - Cost	
306A-0135	WARRANTY, CUMMINS X12 AFTERTREATMENT, 3 YR, 300,000 MI	\$ 607.00	Factory Installed	Non Discountable - Cost	
306A-0105	WARRANTY, CUMMINS X12 W/ TOWING, 4 YR, 400,000 MI, PLAN 1, EPA/NON-CARB	\$ 3,327.00	Factory Installed	Non Discountable - Cost	
306A-0139	WARRANTY, CUMMINS X12 AFTERTREATMENT, 4 YR, 400,000 MI	\$ 1,340.00	Factory Installed	Non Discountable - Cost	
306A-0042	WARRANTY, CUMMINS L9 W/TOWING, 3 YR, 100,000 MI, PLAN 1, EPA/NON-CARB	\$ 933.00	Factory Installed	Non Discountable - Cost	
306A-0062	WARRANTY, CUMMINS L9 AFTERTREATMENT, 3 YR, 100,000 MI,	\$ 427.00	Factory Installed	Non Discountable - Cost	
306A-0044	WARRANTY, CUMMINS L9 W/TOWING, 4 YR, 150,000 MI, PLAN 1, EPA/NON-CARB	\$ 2,133.00	Factory Installed	Non Discountable - Cost	
306A-0064	WARRANTY, CUMMINS L9 AFTERTREATMENT, 4 YR, 150,000 MI,	\$ 773.00	Factory Installed	Non Discountable - Cost	
306A-0046	WARRANTY, CUMMINS L9 W/TOWING, 5 YR, 100,000 MI, PLAN 1, EPA/NON-CARB	\$ 2,067.00	Factory Installed	Non Discountable - Cost	
306A-0066	WARRANTY, CUMMINS L9 AFTERTREATMENT, 5 YR, 100,000 MI,	\$ 773.00	Factory Installed	Non Discountable - Cost	
306A-0048	WARRANTY, CUMMINS L9 W/TOWING, 5 YR, 200,000 MI, PLAN 1, EPA/NON-CARB	\$ 3,733.00	Vendor Installed	Non Discountable - Cost	
306A-0068	WARRANTY, CUMMINS L9 AFTERTREATMENT, 5 YR, 200,000 MI,	\$ 1,260.00	Vendor Installed	Non Discountable - Cost	
	<b>ALLISION EXTENDED COVERAGE</b>				
306A-0014	WARRANTY, ALLISION, 3000RDS, 2 YR EXT, 5 YR COVERAGE	\$ 1,300.00	Vendor Installed	Non Discountable - Cost	
306A-0020	WARRANTY, ALLISION, 4500RDS, 2 YR EXT, 5 YR COVERAGE	\$ 1,457.00	Vendor Installed	Non Discountable - Cost	
	<b>DANA AXLE EXTENDED COVERAGE</b>				
306A-0030	WARRANTY, DANA, D-170 SERIES, 2 YR EXT, 5 YR COVERAGE	\$ 1,000.00	Vendor Installed	Non Discountable - Cost	

FSA23-VEH21.0 ITEM 83 OPTIONS ALL ROADS KENWORTH, LLC

Manufacturer Order Code	Description	Bid Price	Factory Installed or Vendor Installed?	Factory MSRP Discount % (factory-installed)	Cost-Plus Markup % (vendor-installed)
	<b>DISCOUNTS / NON SCHEDULED OPTIONS / SURCHARGES</b>				
<b>CPPD</b>	Prepayment Discount Available If Chassis is Paid for when delivered to Body Company	Consult Dealer			
<b>Discount 2.10</b>	Dealer Discretionary Discount - Determined By Dealer as Appropriate - When Available				
<b>MSRP20</b>	20% Discount Off Current MSRP For Unspecified Factory Options Including Fees	20%			
<b>NSO25</b>	Non Scheduled Unpublished Options/Bodies Available at Cost + 25% Max	25%			
<b>2025YMES</b>	2025 Year Model or Emissions Surcharge - From Manufacturer - Pass through at cost				
<b>Surcharge 3.06</b>	Surcharges - Charged by Manufacturer - As Provided for in Terms & Conditions 3.06				
<b>Delivery</b>	Delivery Charge - applies to out of Local FSA Zone Deliveries - if required	.			
	<b><u>TAGS</u></b>				
<b>TEMP TAG</b>	Temporary Tag	INC			
<b>TRANSFER</b>	Transfer tag	INC			
<b>NEWTAG</b>	New tag: state / city / county	At Cost			





## ALL ROADS KEWORTH LLC, LET2-46 ASL NEW WAY 11102022 PROPOSAL



**BATTLE**  
M O T O R S

### Date

08/01/2023

### Quote Information

202211101258-8521

9000-0435T

1002449-1002458

### 2024 Sales LET2

Qty: 1

---

### Prepared For

TBD - Stock

---

### Prepared By

Mike Crawford

[mike.crawford@allroadstrucks.com](mailto:mike.crawford@allroadstrucks.com)

All Roads Kenworth

Shipping Destination: Booneville, MS (New Way)



MODEL		DESCRIPTION	PRICE
9999-CUSTOM-140230	SOURCEWELL	NON-SOURCEWELL	STANDARD
9999-CUSTOM-139414	FUEL TYPE	DIESEL	STANDARD
9999-CUSTOM-83063	BODY APPLICATION	OBS - NEW WAY ASL, SIDEWINDER 31 CY	STANDARD
9999-CUSTOM-142671	SURFACE	OPERATES IN LANDFILL	STANDARD
9999-CUSTOM-83335	PRODUCT AVAILABILITY	ORDER MAJOR COMPONENTS - LEAD TIME / AVAILABILITY	STANDARD
9999-CUSTOM-83099	CARB/EPA	EPA / NON-CARB	STANDARD
9999-CUSTOM-83038	FRAME - WHEELBASE	218 WHEELBASE	STANDARD
9999-CUSTOM-83057	FRAME SILLS	DOUBLE SILLS	\$1,771
9999-CUSTOM-142332	FRAME SILL LENGTH	30' FRAME SILLS	STANDARD
9999-CUSTOM-82526	CAB STYLE	LET2 STANDARD CAB WITH EXTERIOR SUNVISOR	STANDARD
9999-CUSTOM-82531	CAB / DOORS	LET2 STANDARD CAB, W/VISOR, LH ELECTRIC ROLL-UP / RH ELECTRIC ROLL-UP DOORS	STANDARD
9999-CUSTOM-82490	DRIVE TYPE	DUAL DRIVE, RH SIT-DOWN	STANDARD
9999-CUSTOM-83079	ENGINE MODEL	CUMMINS L9, LET2	STANDARD
9999-CUSTOM-83085	TRANSMISSION MODEL	ALLISON 4500RDS, LET2	STANDARD
1000-3227	ENGINE	CUMMINS 2022 L9, 350 HP, A/C, 4500RDS TRANSMISSION, W/O ENGINE BRAKE, LET2	STANDARD
1007-1147	TRANSMISSION	TRANSMISSION ALLISON 4500RDS, L9, TC-521, NON-RETARDER	STANDARD
9999-CUSTOM-83065	REAR SUSPENSION MODEL	HMX-460 - HENDRICKSON HAULMAAX, 46,000 LBS RATED	STANDARD
9999-CUSTOM-83049	REAR DRIVE AXLE MODEL	D46-170 - REAR DRIVE AXLE	STANDARD
1200A-0202	REAR DRIVE AXLE	REAR AXLE, D46-170HP, 16.5 X 8.62, 5.57, STD DIFF, BAR PIN	\$8,601
1201-1519	REAR SUSPENSION	REAR SUSPENSION, D46-170HP, HMX-460, 1.5/11, DBL SILLS	\$3,184
1500-5041	FRAME	FRAME ASSEMBLY, 218 WB, 30' DBL SILL, HMX , STANDARD , LET2	-\$546

**QUOTATION**

202211101258-8521

**DATE**

August 01, 2023

CHASSIS		DESCRIPTION	PRICE
9999-CUSTOM-142363	ENGINE PTO ADAPTER	1350/1410 FEPTO ADAPTER	STANDARD
2000-4813	DECALS - CHASSIS EXTERIOR	DECALS, EXTERIOR, DIESEL,TRANSYND	STANDARD
2003-0614	HVAC - CHASSIS	HVAC, LET2 STD CAB, L9/L9N, AURORA NON-BLENDING	STANDARD
2201-0119	WINDSHIELD WIPERS - CHASSIS	WINDSHIELD WIPERS, DUAL DRIVE	STANDARD
1010-1222	AIR CLEANER	AIR CLEANER, CUMMINS L9, CUMMINS OPTI-AIR, LET2	STANDARD
2103-0293	ELECTRICAL, ENGINE	ELECTRICAL, ENGINE, CUMMINS L9, 500K BAUD	STANDARD
1006-1125	ENGINE MOUNTING	ENGINE MOUNTING, CUMMINS L9/L9N, DOUBLE SILLS, 4500RDS	\$1,064
2200-1827	GAUGE - ENGINE OIL TEMP GAUGE	GAUGE, SINGLE, ENGINE OIL TEMPERATURE, L9/L9N	\$57
1802-0076	CAB MOUNTING	CAB MOUNTING - LET2 STANDARD CAB	STANDARD
1502-0580	FRAME - FRONT EXTENSION	FRONT FRAME EXTENSION, WIDE FLANGE FLAT BUMPER	STANDARD
1503-2963	OVER ENGINE CROSSMEMBER	OVER ENGINE CROSSMEMBER, OFFSET RH SIDE RADIATOR, LET2	STANDARD
2100-3347	ELECTRICAL, BASE, CHASSIS	ELECTRICAL, BASE, CHASSIS, 500K BUAD, DIESEL/CNG	STANDARD
1908-0090	AIR PIPING, REAR AXLE	AIR PIPING, HMX REAR SUSPENSION, 6S/6M	\$550
1204-0227	REAR BUMP BLOCKS	REAR BUMP BLOCK, CAST BOLT ON, HMX	\$183
1402-0629	POWER STEERING RESERVOIR	POWER STEERING RESERVOIR, 4 QT, 2021 L9/L9N, TRW PUMP, LET2	STANDARD
1401-0331	STEERING COLUMN CHASSIS (LH)	STEERING COLUMN, CHASSIS - LET2, LHD, TILT, W/CRUISE, 18" WHEEL	STANDARD
1401-0333	STEERING COLUMN CHASSIS (RH)	STEERING COLUMN, CHASSIS - LET2, RHD, TILT, W/CRUISE, 18" WHEEL	STANDARD
1400-0715	STEERING GEAR	STEERING GEAR, XD-120, RH/DUAL DRIVE, STANDARD CAB, LET2	\$547
2501-1525	TRANSMISSION OIL PIPING	TRANSMISSION PIPING-L9/L9N/X12, 3000RDS/4000RDS	STANDARD
9999-CUSTOM-140304	FRAME MODIF, CENTER BEARING DRILLING	NO OPTION, CENTER BEARING DRILLING	STANDARD

OPTIONS, CHASSIS		DESCRIPTION	PRICE
1100A-0059	<b>FRONT STEER AXLE</b>	FRONT STEER AXLE, D2000F, STD TRK, 24" CMBR, >190" WB, 16.5 X 7 ES1100 BRAKES	\$480
1101-0638	<b>FRONT SUSPENSION</b>	FRONT SUSPENSION, D2000F, (4) TAPER LEAF, STD SHOCKS	STANDARD
2000-4734	<b>LUBE, REAR DRIVE AXLE</b>	LUBE, REAR AXLE, STANDARD, D46-170P AXLE 85W-140	\$147
1003A-0050	<b>DEF TANK</b>	DEF TANK, MTD LH BEHIND FENDER, LH 32/38, B6.7/L9	\$337
1003-0971	<b>FUEL TANK</b>	DIESEL FUEL TANK, SINGLE 80 GAL ROUND, ALUMINUM, W/O DRAIN	-\$766
2503-0841	<b>FUEL PIPING / FILTER</b>	FUEL PIPING, L9, F.T. LH 80/104, DEF TANK LH, LET2	-\$7
2101-0645	<b>BATTERY BOX</b>	BATTERY BOX, (3) 950 CCA BATTERIES, W/ DISCONNECT SWITCH, PLASTIC COVER	\$509
1503-2281	<b>BATTERY BOX SPACERS</b>	BATTERY BOX SPACERS, LOWERS 8.5" BELOW TOP OF FRAME	STANDARD
2100-2518	<b>ELECTRICAL, BATTERY DCS INDICATOR LIGHT</b>	BATTERY DISC SWITCH, 1" AMBER INDICATOR (PILOT LIGHT) AT BATTERY BOX	\$49
2000-4842	<b>ELECTRICAL, BATTERY CABLES</b>	BATTERY/ALT CABLES, L9/L9N/ISX12N, BATT BOX LH 50/62, DISC SWITCH	\$1,264
2100-2983	<b>ELECTRICAL, POWER FEED HARNESS</b>	ELECTRICAL, POWER FEED, L9/X12, LH UP TO STA. 50	\$145
1010A-0052	<b>AIR CLEANER STACK</b>	AIR CLEANER STACK, W/O PRECLNR, LET2	STANDARD
1004A-0054	<b>EXHAUST STACK</b>	FLARED ELBOW EXHAUST STACK, CHROME PLATED, 36" LONG	\$400
2100-3361	<b>ENGINE, ALTERNATOR</b>	ALTERNATOR, DELCO 55 SI, 12V, 430 AMP, L9/L9N/ISX12N	STANDARD
2500-0126	<b>ENGINE COOLING, OPTIONS</b>	REMOTE COOLANT FILL, RH FENDER MOUNTED	\$521
2000-4701	<b>ENGINE, DIPSTICK/OIL FILL</b>	ENGINE DIPSTICK MTG ONLY, L9/L9N	STANDARD
162X-0494	<b>ENGINE PROGRAMMING PARAMETERS</b>	ENGINE PRGM-B6.7/L9, A/C, NO IDLE SHUTDOWN, 1450 RPM TA, 65 MPH	STANDARD
2502-0800	<b>AIR DRYER</b>	AIR DRYER, BENDIX, AD-IP, LH INSIDE SILL FRONT	\$30
1910-0464	<b>AIR PIPING, AIR DRYER</b>	AIR DRYER PIPING - AD9EP/AD-IP, LH STA. 80 INSIDE SILL / FRONT	\$6

**QUOTATION**

202211101258-8521

**DATE**

August 01, 2023



OPTIONS, CHASSIS		DESCRIPTION	PRICE
2502-0827-CAB	<b>AUTO NEUTRAL</b>	PARK BRAKE AUTO NEUTRAL	\$271
2100-3338	<b>ELECTRICAL, TCM</b>	TCM-ALLISON, 4500RDS, DUAL DRIVE, TC521, 6 SPD, 145 AG, L9	-\$1
1502-0629	<b>FRONT BUMPER</b>	FRONT BUMPER, WIDE FLANGE FLAT BUMPER	STANDARD
1801-0591	<b>FENDERS, FRONT</b>	FENDER, FRONT - BLACK PLASTIC, LET2	STANDARD
2003-0574	<b>ENGINE, BLOCK HEATER</b>	ENGINE BLOCK HEATER, L9/L9N, 120V IND LT, 1000W, FLAT BUMPER	\$378
1600-4855	<b>PROPSHAFT</b>	PROPSHAFT, 218" WB, L9/L9N, 4500RDS, D-170/190	\$711
1503-2859	<b>AIR PIPING, FRAME SUPPORTS</b>	FRAME AIR PIPING SUPPORTS, >190" WB, TANDEM AXLE, DOUBLE SILLS	\$55
1906-0776	<b>AIR PIPING, FRAME</b>	FRAME AIR PPG - (3) STEEL AIR TANKS, LET2, W/ CENTRALIZED DRAINS	STANDARD
1904-0071	<b>AIR PIPING, OPTIONAL AUTOMATIC DRAIN VALVES</b>	BENDIX NON-HEATD DV-2 AUTOMATIC DRAIN VALVE @ (3) AIR TANKS	\$229
1906-0434	<b>AIR PIPING, OPTIONAL CHARGE VALVE</b>	SCHRADER CHARGE VALVE @ AIR DRYER	\$61
9999-CUSTOM-142071	<b>AIR SUSPENION OVERRIDE</b>	NO OPTION - AIR SUSP DUMP VALVE, CHASSIS	STANDARD
2000-4582	<b>AIR HORN, CHASSIS</b>	AIR HORN, DUAL TONE, UNDER CAB	\$791
2000-2215	<b>BACK-UP ALARM</b>	BACK-UP ALARM, ECCO 575, 107DB	STANDARD
9999-CUSTOM-139179	<b>RETAINER CABLES</b>	NO OPTION-RETAINER CABLES	STANDARD
2-515-4787-0139	<b>TIRES/WHEELS - FRONT STEER AXLE</b>	COOPER SEVERE SERIES MSA, 315/80R22.5, 20/L, ACCURIDE, ALUMINUM, XTRA POLISH FINISH, 2.14" INSET	\$389
8-515-4787-0140	<b>TIRES/WHEELS - DRIVE AXLE</b>	COOPER SEVERE SERIES MSA, 315/80R22.5, 20/L, ACCURIDE, ALUMINUM, XTRA POLISH FINISH, 7.00" OUTSET	\$5,986
2501-1541	<b>OIL PIPING, CAB TILT</b>	CAB TILT, LET2, ELEC PUMP, ELEC. FAN, NO PLOW	STANDARD
1005-1883	<b>ENGINE COOLING</b>	RADIATOR; CUMMINS 2021 L9, OFFSET RADIATOR LET2	STANDARD
1004-2077	<b>EXHAUST</b>	EXHAUST, 2021 CUMMINS L9, 260-350 HP, LET2 OFFSET RAD.	STANDARD
9999-CUSTOM-140340	<b>TRAILER BRAKES</b>	NO OPTION - TRACTOR PROTECTION VALVE	STANDARD

**KW OF SF STOCK UNITS LET2-46 ASL NEW WAY 11102022  
PROPOSAL**

OPTIONS, CAB		DESCRIPTION	PRICE
1803-0087-CAB	CAB - DOOR (LH)	STANDARD DOOR, LH, ELECTRIC ROLL UP	STANDARD
1804-0086-CAB	CAB - DOOR (RH)	STANDARD DOOR, RH, ELECTRIC ROLL UP	STANDARD
1806-1332-CAB	CAB - MIRROR (LH)	WEST COAST MIRROR, LH STANDARD DOOR, 16 X 7 HEATED	\$81
1808-0120-CAB	CAB - MIRROR (RH)	WEST COAST MIRROR, RH STANDARD DOOR, 16 X 7 HEATED	\$39
1806-1294-CAB	CAB - MIRROR, SPOT	MIRROR, SPOT - (2) LH / (2) RH, TOP & BOTTOM MIRROR ARMS, 8" ROUND, SS, HEATED	\$454
1401-0331-CAB	STEERING COLUMN CAB (LH)	STRG COLUMN ASSY - LET2, LHD,TILT, W/CRUISE, 18" WHEEL	STANDARD
1401-0333-CAB	STEERING COLUMN CAB (RH)	STEERING COLUMN, CAB - LET2, RHD, TILT, W/CRUISE, 18" WHEEL	\$1,455
9999-CUSTOM-82609	RADIO OPTION - AM/FM/BLUETOOTH/HANDS FREE	RADIO - MOUNTED ON LH SIDE CAB, AM/FM/MP3/USB/BLUETOOTH/HANDS FREE	STANDARD
2003-0614-CAB	HVAC - CAB	HVAC, LET2 STD CAB, L9/L9N, AURORA NON-BLENDING	STANDARD
2003-0369-CAB	CAB - DEFROST FANS	CAB DEFROST FANS, 2-SPD, DUAL FANS, LH & RH OVERHEAD CONSOLE	STANDARD
2100-3405-CAB	CAB, ELECTRICAL - IGNITION	CAB, IGNITION (6) KEYS D250, STD/BI-FOLD DOOR C250	\$15
2202-0050-CAB	CAB - DASH/INSTRUMENTATION	ANALOG GAUGES, DUAL DRIVE, RH FULL, DIESEL, MPH, LET2	\$2,040
2200-1827-CAB	CAB - GAUGES - ENGINE OIL TEMPERATURE	GAUGE, SINGLE, ENGINE OIL TEMPERATURE, L9/L9N	\$120
2200-1812-CAB	CAB - GAUGES - MISC OPTIONS	GAUGE, FILTERMINDER, DASH MOUNTED	\$64
2100-3081-CAB	CAB - LIGHTING OPTIONS	MAXXIMA STROBE LIGHTS, ON EXTERIOR VISOR, LET2	\$433
1907-0458-CAB	CAB - AIR PIPING	CAB AIR PIPING, DUAL DRIVE, RH SIT-DOWN SEATING, RH FOOTREST, LET2/LET2CC	STANDARD
2000-4298-CAB	CAB - FIRE EXTINGUISHER	FIRE EXTINGUISHER, 10#, ABC, SHIP LOOSE	\$273
2000-4119-CAB	CAB - FIRST AID KIT	MISC ASSY-FIRST AID KIT,ZEE #42,SHIP LOOSE	\$114
2000-1632-CAB	CAB - TRIANGLE KIT	TRIANGLE KIT-WARNING, SHIP LOOSE	\$61
1810-0061-CAB	CAB GRILLE	BATTLE GRILLE, SMOOTH FLAT BLACK	STANDARD

**QUOTATION**

202211101258-8521

**DATE**

August 01, 2023

OPTIONS, CAB SEATS		DESCRIPTION	PRICE
9999-CUSTOM-82616	<b>CAB - SEAT MATERIAL</b>	SEAT - ASPHALT CLOTH	STANDARD
2001-0488-CAB	<b>CAB - SEATS (LH)</b>	SEAT AIR RIDE, SEARS C2, ASPHALT CLOTH, LH, LET2	-\$25
2011-0267-CAB	<b>CAB - SEATS (RH)</b>	SEAT AIR RIDE, SEARS C2, ASPHALT CLOTH, RH, LET2	\$157
2000-4771-CAB	<b>CAB - SEAT BELTS (LH)</b>	SEAT BELT, BLACK, LH SIDE, AIR RIDE SEAT, LET2	\$14
2000-4856-CAB	<b>CAB - SEAT BELTS (RH)</b>	SEAT BELT, BLACK, RH SIDE, AIR RIDE SEAT, LET2	\$14

CAB	DESCRIPTION	PRICE
1800-1894-CAB	<b>CAB MODEL</b> CAB ASSY, GREEN GLASS, NO ROOF VENTS, W/VISOR, LET2	STANDARD
1809-0175-CAB	<b>CAB - OVERHEAD CONSOLE / RADIO</b> OVERHEAD CONSOLE, DUAL DRIVE, MTD LH SIDE AM/FM/BLUETOOTH/HANDS FREE RADIO, HVAC CONTROLS, LET2	\$100
1809-0167-CAB	<b>CAB - FLOOR GRIP TAPE</b> FLOOR GRIP TAPE INSTALLATION, LET2	STANDARD
1001-0960-CAB	<b>CAB - ACCELERATOR PEDAL</b> ACCELERATOR PEDAL, CUMMINS, DUAL DRIVE	\$542
2100-3347-CAB	<b>CAB - BASE ELECTRICAL</b> ELECTRICAL, BASE, 500K BUAD, AUTOCRAFT HEADLIGHT	STANDARD
2000-4561-CAB	<b>CAB - GRAB HANDLES (LH)</b> LH GRAB HANDLE BLACK OUTSIDE, STANDARD DOORS	STANDARD
2000-4862-CAB	<b>CAB - GRAB HANDLES (RH)</b> RH GRAB HANDLE BLACK OUTSIDE, STANDARD DOORS	STANDARD
9999-CUSTOM-82818	<b>CAB, ELEC - DOOR WINDOWS - SWITCH COUNT</b> DUAL DRIVE, LH E/R, RH E/R	STANDARD
2100-3352-CAB	<b>CAB, ELECTRICAL - DOOR WINDOWS</b> CAB, ELECTRICAL, POWER WINDOWS, 4 SWITCHES	\$14
2000-4582-CAB	<b>CAB - AIR HORN</b> AIR HORN, DUAL TONE, UNDER CAB	\$50
1908-0090-CAB	<b>CAB AIR PIPING, REAR AXLE</b> CAB AIR PIPING, HMX REAR SUSPENSION, 6S/6M	\$32
2000-4809-CAB	<b>DECALS - CAB INTERIOR</b> DECALS, INTERIOR, DUAL DRIVE, DIESEL	\$21
1810-0043-CAB	<b>CAB - MISC COMPONENTS</b> CAB MODIF - LET2 COMPONENTS, LH/RH STEEL PANELS	STANDARD
9999-CUSTOM-		



<b>CAB</b>	<b>DESCRIPTION</b>	<b>PRICE</b>
142070	AIR SUSPENSION OVERRIDE NO OPTION - AIR SUSP DUMP VALVE, CAB	STANDARD

<b>PAINT</b>	<b>DESCRIPTION</b>	<b>PRICE</b>
356-0322	PAINT, CAB PAINT, CAB, STANDARD WHITE, G2-3460715-A	STANDARD
356-0323	PAINT, CHASSIS PAINT, CHASSIS, STANDARD BLACK, G2-2B1738	STANDARD
356-0329	PAINT, BUMPER PAINT, BUMPER - STANDARD BLACK, G2-2B1738	STANDARD

<b>WARRANTY</b>	<b>DESCRIPTION</b>	<b>PRICE</b>
306A-0001	WARRANTY, CHASSIS WARRANTY, CHASSIS, STANDARD, 1 YEAR, COVERAGE	STANDARD
306A-0041	WARRANTY, ENGINE WARRANTY, CUMMINS STANDARD, 2 YEAR	STANDARD
9999-CUSTOM-83306	WARRANTY, ENGINE MAJOR COMPONENTS NO OPTION-WARRANTY, MAJOR COMPONENTS	STANDARD
9999-CUSTOM-83307	WARRANTY, AFTERTREATMENT WARRANTY, CUMMINS STANDARD, 2 YEAR	STANDARD
306A-0013	WARRANTY, TRANSMISSION WARRANTY, ALLISION, 3 YR EDGE II PARTNER STANDARD	STANDARD
306A-0022	WARRANTY, DRIVE AXLE WARRANTY, STANDARD 2 YEAR	STANDARD

<b>CUSTOM OPTIONS</b>	<b>DESCRIPTION</b>	<b>PRICE</b>
9999-CUSTOM-141986	AIR PIPING, AIR DRYER (QUOTE ONLY) NO OPTON (AVAILABLE IN UPPER SELECTION)	STANDARD



**KW OF SF STOCK UNITS LET2-46 ASL NEW WAY 11102022  
PROPOSAL**

<b>VEHICLE SPECIFICATION SUMMARY</b>	<b>UNIT</b>	<b>DESCRIPTION</b>
MODEL		SALES LET2
ENGINE		CUMMINS 2022 L9, 350 HP, A/C, 4500RDS TRANSMISSION, W/O ENGINE BRAKE, LET2
PEAK POWER	HP	350
PEAK TORQUE	NM	1050 @ 1200
TRANSMISSION		TRANSMISSION ALLISON 4500RDS, L9, TC-521, NON-RETARDER



DESCRIPTION	PRICE
BASE MSRP	\$255,000
OPTIONS	\$33,537
CUSTOM REQUESTED OPTIONS	\$0
DEALER MSRP	\$288,537
DESTINATION CHARGE (BOONEVILLE, MS (NEW WAY))	\$2,598
<b>WARRANTIES &amp; OPTIONS</b>	
WARRANTY, CHASSIS, STANDARD, 1 YEAR, COVERAGE	\$0
WARRANTY, ALLISION, 3 YR EDGE II PARTNER STANDARD	\$0
WARRANTY, STANDARD 2 YEAR	\$0
WARRANTY, CUMMINS STANDARD, 2 YEAR	\$0
NO OPTION-WARRANTY, MAJOR COMPONENTS	\$0
WARRANTY, CUMMINS STANDARD, 2 YEAR	\$0
NON-SOURCEWELL	\$0
SUBTOTAL	\$0

\_\_\_\_\_  
**CUSTOMER**

\_\_\_\_\_  
**BATTLE MOTORS, INC.**

\_\_\_\_\_  
**DATE**

\_\_\_\_\_  
**DATE**

*We recognize our business exists only by achieving our customer's expectations for our products and services. We operate in an environment of continual improvement, and strive to be performance driven, operating with teamwork and integrity. Thank you for your interest in partnering with Battle Motors to provide the solutions you need.*

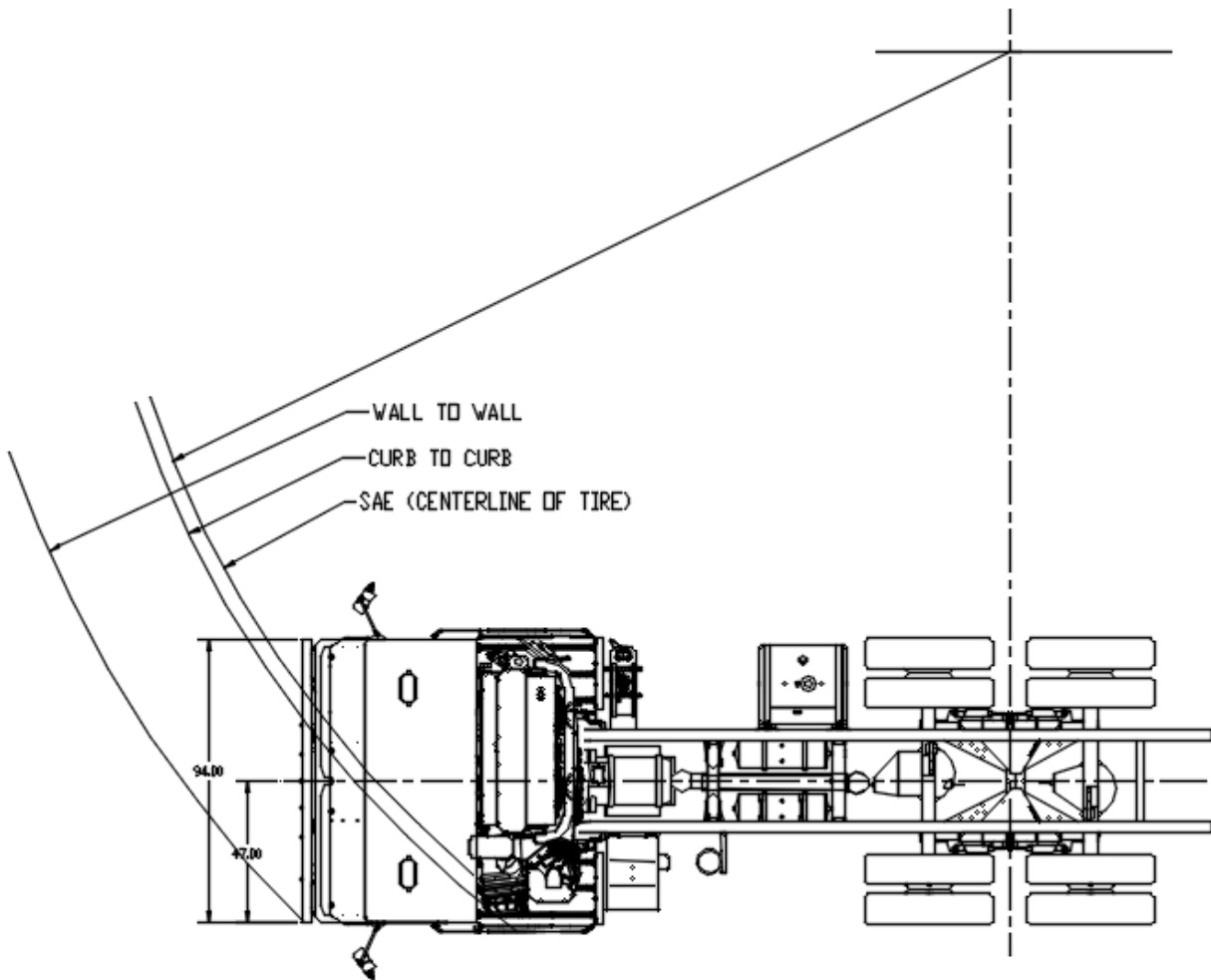
*Specifications are indicative of a standard build and are subject to change without notice.*



AXLE POSITION	AXLE MODEL	AXLE/SUSP RATING (LBS)	SINGLE OR DUAL	WHEEL SIZE AND RATING (SIZE / LOAD @ PRESSURE)	TIRE SIZE AND RATING** (SIZE / LOAD @ PRESSURE / SPEED)	GAWR (LOAD @ PRESSURE / SPEED)
FRONT	D2000F	20,000	S	22.5 X 9.00 / 10,000 @ 130	315/80R22.5L/20 / 10,000 @ 130 / 68	20,000 @ 130 / 68
1ST INTERMEDIATE	D46-170HP	23,000	D	22.5 X 9.00 / 10,000 @ 130	315/80R22.5L/20 / 9,090 @ 130 / 68	23,000 @ 130 / 68
2ND INTERMEDIATE						
3RD INTERMEDIATE						
LAST	R46-170H	23,000	D	22.5 X 9.00 / 10,000 @ 130	315/80R22.5L/20 / 9,090 @ 130 / 68	23,000 @ 130 / 68
<b>DRIVETRAIN GVWR (LBS)</b>						66,000
<b>ENGINE APPLICATION GVWR (LBS)</b>						66,000
<b>TRANSMISSION APPLICATION GVWR (LBS)</b>						80,000
<b>TRUCK GVWR (LBS)</b>						66,000



COMPONENT	LOCATION
AIR DRYER	LH STA. 80 INSIDE SILL / FRONT
AIR TANKS	122/140
BATTERY CABLES	LH STA. 50/62
DEF TANK	LH STA. 32/38
DIESEL FUEL TANK	LH STA. 80/104



**ESTIMATED VEHICLE TURNABILITY - TURN RADIUS (FEET) (+/- 5%)**

SAE - TIRE CENTERLINE TO TIRE CENTERLINE (FT)	37
CURB-TO-CURB (FT)	38
WALL-TO-WALL (FT)	40



**ESTIMATED VEHICLE WEIGHT DISTRIBUTION (LBS) - FULLY WET WITH 200# DRIVER (+/- 5%)**

FRONT AXLE GROUND LOAD (LBS)	11,840
REAR AXLE GROUND LOAD (LBS)	6,901
TOTAL VEHICLE WEIGHT (LBS)	18,741

FRAME MEASUREMENT	VALUE	UNIT
CA/CT (CAB-TO-AXLE)	194	INCHES
AF (AFTER FRAME)	85	INCHES



LOCATION	SELECTION
BATTERY BOX	PC BLACK
BUMPER	STANDARD BLACK
CAB	STANDARD WHITE
CAB CLEAR COAT	N/A
CAB STRIPES	N/A
CAB WINDSHIELD GUARD	N/A
CHASSIS	STANDARD BLACK
FRONT WHEELS	XTRA POLISH
FUEL TANK	BRUSHED ALUMINUM
REAR WHEELS	XTRA POLISH

# Southern Sewer Equipment Sales

800-782-4134



SouthernSewer.com



772-595-6940

---

Mr. Mike Crawford  
All Roads Trucks  
2909 S. Andrews Avenue  
Fort Lauderdale, FL 33316  
Email: mcrawford@allroadstrucks.com

October 18, 2023

Dear Mike,

Southern Sewer Equipment Sales appreciates the opportunity to provide the City of Madeira Beach with a quote for a New Way Sidewinder **33-yard** refuse body to be mounted on your suitable chassis. Please review the attached equipment list.

**Total Price for a New Way Sidewinder Refuse Body  
with City of Madeira Beach Option Package:**

**\$187,794.00\***

*\*Pricing based on current market conditions and chassis arrival before September 30, 2024. Does not include unforeseen changes due to volatile market fluctuations and/or material surcharges. These prices do not include any contract fees. Quote is valid for 30 days.*

**Minimum Chassis Requirements:**

Clear/Usable **201" CT**

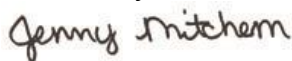
80" After Frame

64,000 lb. GVWR, **Tires must meet Florida DOT GVWR requirements**

Automatic Transmission

Please feel free to contact Michael Fitzgerald at (772) 201-9432, if you have any questions.

Sincerely,



Jenny Mitchem  
Office Manager

---

Doral



Fort Pierce



Orlando

**EQUIPMENT LIST**  
**City of Madeira Beach**  
**October 18, 2023**

**New Way Sidewinder**

Pack On The Go  
Multi Cycle Packer  
Front Mount, Tandem Vane Pump  
Twin 14.5" x 7" Clean Out Doors  
Chrome Cylinder Rods with Scrapers  
Side-Access Door to Hopper  
Nitro Carbonite Single Hoist Cylinder  
Sight Gauge on Reservoir Tank  
High Grade Hydraulic Fluid  
Quick Disconnect Port for Pressure Gauge  
Reinforced, Frame Mounted Arm – 1,000 lb. Lift Capacity  
In-Line Heavy Duty Grippers  
Sealed Roller Bearings on Packer Follower Panels  
Hydraulic Hopper Cover  
Hopper Access Ladder  
Ergonomic In-Cab Control Panel and Joystick  
Positive Automatic Tailgate Lock  
Smooth Body Sidewall Design  
Acrylic Urethane Enamel Single Color Paint on Body  
ARM Powder Coat New Way Safety Yellow  
Rear Vision Camera System, Dual Cameras  
Back Up Alarm  
Body Ajar Alarm  
Tailgate Ajar Alarm  
Hour Meter  
"Arm Stowed" Indicator  
Arm Cycle Counter  
Home Position Arm Lock  
LED Body Lights  
LED Work Lights: 1 in Hopper, 1 Curbside Toward Arm  
Strobe Light Package (Mounted Upper Tailgate)  
Strobe Light, Surface Mount  
10 lb. Fire Extinguisher  
Triangle Kit  
1 Year Body, Arm & Hydraulic Warranty  
2 Year Cylinder Warranty





**City of Madeira Beach Option Package:**

Upgrade to 33 Cubic Yard Body Capacity in lieu of 31 Cubic Yard

Severe Refuse Package: 7 GA AR Hopper Floor & Side Liner, Forward Panel of Body Side Wall 7 GA AR450, Body Floor 7 GA AR450 32" Into Body, Chromium Overlay on Packer Guide Rails

Rake Teeth Breaker Bar

Mid-Body LED Back Up Lights

Electronic Filter By-Pass Indicator in Cab

Arm Spill Shield

2) Cleanout Chute Extensions

Arm Not Stowed Audible Alarm

Arm Control Rocker Switches Under Seat

Steel Tool Box 18" x 18" x 36"

Lubecore Automatic Lube System for Arm & Packer