



PERFORM. LIKE NO OTHER.

MINNESOTA ILLINOIS INDIANA MISSOURI NEBRASKA NORTH DAKOTA SOUTH DAKOTA

EM-102

August 10, 2022

Assistant Chief Jake Olsen  
City of Marshall Fire Department  
201 East Saratoga Street  
Marshall, MN 56258

Subject: **Proposal for one (1) Pierce Enforcer 100' Aerial Tower  
Proposal / Bid 1072**

Dear Assistant Chief Olsen,

With regard to the above subject, please find attached our completed proposal.

Pricing, is as follows, including 100% prepay option.

**Pricing Summary:**

Sale Price – **\$1,813,107.00\***  
*\*Sourcewell Consortium Pricing, Member ID 2315.*

**100% Performance Bond:**

Included in the above price.

**100% Prepayment Option:**

Should the City of Marshall Fire Department elect to make a 100% prepayment at contract execution, a discount of (**\$66,872.00**) can be subtracted from the above "Sale Price" resulting in a revised contract price of **\$1,746,235.00**.

**Terms and Conditions:**

Taxes – Not Applicable

Freight – F.O.B. – Appleton, WI / Shipping to Marshall, MN

Terms – Net due prior to vehicle(s) release at the Pierce Manufacturing Plant (Appleton, WI). Net due at Contract signing for **Prepay discount** to be applicable.

Delivery – 27 - 31 months from receipt and acceptance of contract.



PERFORM. LIKE NO OTHER.

MINNESOTA ILLINOIS INDIANA MISSOURI NEBRASKA NORTH DAKOTA SOUTH DAKOTA

---

Said apparatus and equipment are to be built and shipped in accordance with the specifications hereto attached, delays due to strikes, war, or international conflicts, or other causes beyond our control not preventing, could alter the delivery schedule.

The specifications herein contained, shall form a part of the final contract, and are subject to changes as desired by the purchaser, provided such changes are acknowledged and agreed to in writing by the purchaser.

This proposal for fire apparatus conforms with all Federal Department of Transportation (DOT) rules and regulations in effect at the time of bid, and with all National Fire Protection Association (NFPA) Guidelines for Automotive Fire Apparatus as published at the time of bid, except as modified by customer specifications.

The attached proposal is valid for thirty (30) days.

We trust the above and the enclosed to be full and complete at this time; however, should you have any questions or require additional information, please do not hesitate to contact me at 507-272-2360 or [tom.soland@macqueengroup.com](mailto:tom.soland@macqueengroup.com).

We wish to thank the City of Marshall Fire Department for the opportunity to submit our proposal.

Respectfully,

*Tom Soland*

Tom Soland  
Apparatus Sales  
MacQueen Equipment LLC  
DBA MacQueen Emergency Group



# Option List

9/7/2022

**Customer:** Marshall Fire Department, City of  
**Representative** Soland, Thomas  
**Organization:** MacQueen Emergency Group  
**Requirements Manager:**  
**Description:** Marshall AAT Tower  
**Body:** Aerial, 100AAT, Alum Body  
**Chassis:** Enforcer Chassis, 100AAT

**Bid Number:** 1072  
**Job Number:**  
**Number of Units:** 1  
**Bid Date:** 08/31/2022  
**Stock Number:**  
**Price Level:** 42 (Current: 42)  
**Lane:** Lane 1

Line	Option	Type	Option Description	Qty
1	0769372		Boiler Plates, 100AAT Fire Department/Customer - Marshall Fire Department Operating/In conjunction W-Service Center - Operating Miles - 150 Miles Number of Fire Dept/Municipalities - 2 Bidder/Sales Organization - MacQueen Emergency Delivery - Delivery representative Dealership/Sales Organization, Service - MacQueen Emergency	1
2	0018180		Single Source Compliance, Aerials	1
3	0584456		Manufacture Location, Appleton, Wisconsin	1
4	0584452		RFP Location: Appleton, Wisconsin	1
5	0588609		Vehicle Destination, US	1
6	0610784		Comply NFPA 1901 Changes Effective Jan 1, 2016, With Exceptions	1
7	0533351		Quint Fire Apparatus	1
8	0588612		Vehicle Certification, Aerial w/Pump	1
9	0681278		Agency, Apparatus Certification, Aerial w/Pump, U.L.	1
10	0891947		Certification, Vehicle Inspection Program, NFPA 1901	1
11	0766110		Consortium, Sourcewell	1
12	0537375		Unit of Measure, US Gallons	1
13	0529326		Bid Bond, 10%, Pierce Built Chassis	1
14	0582700		Performance Bond, 100% with 25% Warranty Bond, 2 Yrs, and Payment Bond	1
15	0000007		Approval Drawing	1
16	0002928		Electrical Diagrams	1
17	0729149		Enforcer Chassis, 100AAT	1
18	0000110		Wheelbase Wheelbase - 272"	1
19	0000070		GVW Rating GVW rating - 75,000LBS	1
20	0729280		Frame Rails, 13.38 x 3.50 x .375, Enforcer	1
21	0889473		Frame Liner, "C/Inv L" 12.50" x 3.00" x .25", AXT/Vel/Imp/Enf, 57" Qval	1
22	0728824		Axle, Front, Dana, D-2200F, 23,000 lb, Enforcer	1
23	0637887		Suspension, Front, Standens, Taper Leaf, 23,000 lb, Saber FR/Enforcer	1
24	0000321		Shock Absorbers on Front Axle, Monroe Magnum 65, Saber/Enforcer	1
25	0000322		Oil Seals, Front Axle	1
26	0802640		Tires, Front, Goodyear, Armor Max MSA, 445/65R22.50, 20 ply	1
27	0019618		Wheels, Front, Alcoa, 22.50" x 13.00", Aluminum, Hub Pilot	1
28	0728953		Axle, Rear, Meritor RT52-185, 54,000 lb, Enf, 100AAT	1
29	0544244		Top Speed of Vehicle, 60 MPH	1
30	0555354		Suspen, Rear, Hendrickson FMX 542 EX, Air Ride, 54,000 lb	1
31	0000485		Oil Seals, Rear Axle	1
32	0587016		Tires, Rear, Goodyear, G622 RSD, 12R22.50, 16 ply, Tandem	1
33	0019639		Wheels, Rear, Alcoa, 22.50" x 8.25", Aluminum, Hub Pilot, Tandem	1
34	0568081		Tire Balancing, Counteract Beads	1
35	0620569		Tire Pressure Monitoring, RealWheels, AirSecure, Valve Cap, Tandem Axle Qty, Tire Pressure Ind - 10	1
36	0003245		Axle Hub Covers w/center hole, S/S, Front Axle	1
37	0013241		Axle Hub Covers, Rear, S/S High Hat (Tandem)	1
38	0057936		Covers, Lug Nut, Chrome	1
39	0002045		Mud Flap, Front and Rear, Pierce Logo	1
40	0766669		Chocks, Wheel, SAC-44-E, Folding, 100AAT Qty, Pair - 01	1

Line	Option	Type	Option Description	Qty
41	0766668		Mounting Brackets, Chocks, SAC-44-E, Folding, Horizontal, 100AAT Qty, Pair - 02 Location, Wheel Chocks - Left Side Rear Tire, Rearward and Right Side Rear Tire, Rearward	2
42	0593759		ESC/ABS/ATC Wabco Brake System, Tandem Rear Axle, 2010	1
43	0690932		Brakes, Bendix, ADB-22X, 17" Disc, Front	1
44	0000730		Brakes, Meritor, Cam, Rear, 16.50 x 7.00"	1
45	0731553		Air Compressor, Brake, Cummins/Wabco 25.9 CFM	1
46	0637583		Brake Reservoirs, 6,408 Cubic Inch Minimum Capacity, Saber FR/Enforcer	1
47	0568012		Air Dryer, Wabco System Saver 1200, Heater, 2010	1
48	0000790		Brake Lines, Nylon	1
49	0000854		Air Inlet, w/Disconnect Coupling Location, Air Coupling(s) - a) DS Step Well, Forward Qty, Air Coupling (s) - 1	1
50	0070810		All Wheel Lockup (Aerial/Tanker Chassis)	1
51	0893805		Engine, Cummins X12, 525 hp, 1695 lb-ft, W/OBD, EPA 2021, Enforcer	1
52	0730807		Remote Mounted Filters Not Required, X12	1
53	0001244		High Idle w/Electronic Engine, Custom	1
54	0687994		Engine Brake, Jacobs Compression Brake, Cummins Engine Switch, Engine Brake - e) ISC/ISM/ISL9/ISX Hi Med Lo	1
55	0644227		Clutch, Fan, Air Actuated, Saber FR/Enforcer	1
56	0054292		Switch, Manual Fan Clutch Control	1
57	0644573		Air Intake, Water & Ember Screen, Saber FR/Enforcer	1
58	0794743		Exhaust System, 5", X12/X15, MX13, Engine, Horizontal, Right Side	1
59	0788765		Radiator, Saber FR/Enforcer	1
60	0001090		Cooling Hoses, Rubber	1
61	0001125		Fuel Tank, 65 Gallon, Left Side Fill	1
62	0001129		Lines, Fuel	1
63	0618791		DEF Tank, 4.5 Gallon, DS Fill, Forward of Axle, Common Air Bottle Door	1
64	0723716		Fuel Priming Pump, Electronic, Automatic, Cummins, No Swt Req'd	1
65	0552712		Not Required, Shutoff Valve, Fuel Line	1
66	0553019		Cooler, Engine Fuel, Imp/Vel, AXT/Qtm/Sab/DCF/SFR/Enf	1
67	0578959		Fuel/Water Separator, Racor Inline	1
68	0642582		Trans, Allison 5th Gen, 4000 EVS P, w/Prognostics, Imp/Vel/DCF/SFR/Enf	1
69	0625331		Transmission, Shifter, 6-Spd, Push Button, 4000 EVS	1
70	0684459		Transmission Oil Cooler, Modine, External	1
71	0539711		Label, TRANSynD Transmission Fluid Only	1
72	0535530		Mode, Downshift, Aggressive downshift to 2nd, w/engine brake, 6 speed	1
73	0801876		Fluid, 4000 Series Trans, Allison Approved TES-668 Synthetic, IPOS, Custom	1
74	0001375		Driveline, Spicer 1810	1
75	0637248		Steering, Dual Gear, TRW TAS-65, w/tilt, Pump w/ Cooler, Saber FR/Enforcer	1
76	0802950		Steering Wheel, 4 Spoke w/Wiper Control, Saber FR/Enforcer	1
77	0690274		Logo/Emblem, on Dash Text, Row (1) One - Marshall Text, Row (2) Two - Fire Text, Row (3) Three - Dept.	1
78	0725697		Bumper, 27" Total (16" Extension), Alum, Painted, Integrated, 100AAT, Enforcer	1
79	0758000		Tray, Hose, Center, 16" Bumper, Inside Air Horns, 100AAT Grating, Bumper extension - Grating, Rubber Capacity, Bumper Tray - 18) 75' of 1.75"	1
80	0633479		Hose Restraint, Bumper Tray, Velcro Straps, Pair Qty, Pair - 01	1
81	0778092		Lift & Tow Package, Enforcer	1
82	0522573		Tow Hooks Not Required, Due to Lift and Tow Package	1
83	0648332		Cab, Enforcer, 7010	1
84	0747442		Engine Tunnel, X12, MX13, Enforcer	1
85	0633594		Rear Wall, Interior, Adjustable Seating	1
86	0632103		Rear Wall, Exterior, Cab, Saber FR/Enforcer Material, Exterior Rear Wall - Aluminum Treadplate	1
87	0728889		Cab Lift, Elec/Hyd, Stabilizer Interlock, Enforcer 100AAT	1
88	0695930		Grille, Bright Finished, Front of Cab, Enforcer	1

Line	Option	Type	Option Description	Qty
89	0002224		Scuffplates, S/S At Cab Door Jambs, 4-Door Cab Material Trim/Scuffplate - c) S/S, Polished	1
90	0647932		Not Required, Trim, S/S Band, Across Cab Face, AXT/Dash CF/Saber/Enforcer	1
91	0087357		Molding, Chrome on Side of Cab	1
92	0521669		Mirrors, Retractable, West Coast Style, Htd/Rmt, w/Htd/Rmt Convex	1
93	0648172		Door, Full Height, Saber FR/Enforcer 4-Door Cab, Raised Roof Key Model, Cab Doors - 751 Cab, Exterior Door Handle, Finish - 4-Door, Chrome/Black	1
94	0655543		Door Panel, Brushed Stainless Steel, Saber/Enforcer 4-Door Cab	1
95	0630636		Controls, Electric Roll-Up Windows, 4dr, 4 Driver Controls, Saber FR/Enforcer	1
96	0638310		Steps, 4-Door Cab, Saber FR/Enforcer Step Well Material - Aluminum Treadplate	1
97	0770200		Handrail, Exterior, Hansen, Knurled, Alum, LED Backlit, 4-Door Cab Color, Handrail Light - White Control, Handrail Light - Cab Switch and Perimeter Lights	1
98	0892638		Lights, Cab & Crw Cab Acs Stps, P25, LED w/Bezel, 6lts Color, Trim - Chrome Housing	1
99	0002141		Fenders, s/s on cab - Saber/Enforcer	1
100	0637984		Window, Side of C/C, Fixed, Saber FR/Enforcer	1
101	0012090		Not Required, Windows, Front/Side of raised roof	1
102	0779033		Not Required, Windows Rear of Crew Cab, Saber FR/Enforcer	1
103	0752160		Compt, Storage, 13.75 W x 38 H x 15 D, (1) Ea Side CC, Dbl Pan, 70" SFR/Enf Light, Aux Cab Compartments - Pierce, Horizontal, Above Finish, Exterior Cab Compt - Spatter Gray Door, Cab Exterior Cabinet - Double Pan, (2), Non-Locking Door, Exterior Stop - 2-Stay Arm	1
104	0655279		Tray, Sliding, Floor Mounted Qty, - 02 location - Aux Compartments on both sides	2
105	0722796		Dash, Poly, Saber FR/Enforcer	1
106	0658289		Mounting Provisions, Computer, Tray, S/S, Straps, Slides, Sides Location - Officer dash Qty, - 01	1
107	0750824		Cab Interior, Vinyl Headliner, Saber FR/Enforcer, CARE Color, Cab Interior Vinyl/Fabric - Endure Vinyl - Silver/Gray Engine Tunnel Cover - Gray Turnout Tuff Cab Interior Rear Wall Material - Painted Aluminum	1
108	0753903		Cab Interior, Paint Color, Saber FR/Enforcer Color, Cab Interior Paint - i) fire smoke gray	1
109	0052100		Floor, Rubber Padded, Cab & Crew Cab, Saber/Enforcer	1
110	0722696		HVAC, Enforcer, CARE HVAC System, Filter Access - Removable Panel Auxiliary Cab Heater - Both HVAC System, Control Loc. - Panel Position #12 Plenum Cover Material - Formed Plastic	1
111	0032085		Fans, Window Defrost, Two (2), Location Feature Location - TBD	1
112	0639675		Sun Visor, Smoked Lexan, AXT, Imp/Vel, Saber FR/Enforcer Sun Visor Retention - Thumb Latch	1
113	0634328		Grab Handles, Driver and Officer Door Posts, Saber FR/Enforcer	1
114	0583938		Lights, Engine Compt, Custom, Auto Sw, Wln 3SC0CDCCR, 3" LED, Trim Qty, - 01	1
115	0631830		Fluid Check Access, Saber FR/Enforcer, Arrow XT Latch, Door, Storage - Southco C2 Chrome Raised	1
116	0583042		Side Roll and Frontal Impact Protection	1
117	0622617		Seating Capacity, 6 Seats	1
118	0636955		Seat, Driver, Pierce PSV, Air Ride, High Back, Safety, Saber FR/Enforcer	1
119	0636943		Seat, Officer, Pierce PSV, Fixed, High Back, Safety, Saber FR/Enforcer	1
120	0620420		Radio Compartment, Below Non-Air Ride Seat, Saber FR/Enforcer Latch, Door, Storage - Lift and Turn Latch	1
121	0635973		Seat, Rear Facing C/C, DS Outboard, Pierce PSV, SCBA, Safety, Saber FR/Enforcer	1
122	0102783		Not Required, Seat, Rr Facing C/C, Center	1

Line	Option	Type	Option Description	Qty
123	0635969		Seat, Rear Facing C/C, PS Outboard, Pierce PSV, SCBA, Safety, Saber FR/Enforcer	1
124	0108189		Not Required, Seat, Forward Facing C/C, DS Outboard	1
125	0635957		Seat, Forward Facing C/C, Center, (2) Pierce PSV, SCBA, Safety, Saber FR/Enf	1
126	0108190		Not Required, Seat, Forward Facing C/C, PS Outboard	1
127	0566653		Upholstery, Seats In Cab, Turnout Tuff	1
128	0543991		Color, Cab Interior Vinyl/Fabric - m) Gray Bracket, Air Bottle, Hands-Free II, Cab Seats	4
129	0603866		Qty, - 04 Seat Belt, Dual Retractor, ReadyReach, Saber FR/Enforcer	1
130	0602464		Seat Belt Color - Red	
131	0647647		Helmet Storage, Provided by Fire Department, NFPA 2016	1
			Lights, Dome, FRP Dual LED 4 Lts	1
			Color, Dome Lt - Red & White	
			Color, Dome Lt Bzl - Black	
			Control, Dome Lt White - Door Switches and Lens Switch	
			Control, Dome Lt Color - Lens Switch	
132	0896451		Enhanced Software for Cab and Crew Cab Dome Lts	1
133	0602622		Portable Hand Light, Provided by Fire Department, Quint NFPA 2016 Classification	1
134	0622803		Cab Instruments, Black Gauges, Black Bezels, Enforcer MUX	1
			Emergency Switching - Individual Switches	
135	0509511		Air Restriction Indicator, Imp/Vel, AXT, Dash CF, Enf MUX	1
136	0543751		Light, Do Not Move Apparatus	1
			Alarm, Do Not Move Truck - Pulsing Alarm	
137	0743386		Messages, Open Dr/DNMT, Color Dsply, 100AAT	1
138	0611683		Switching, Cab Instrument Lower Console & Overhead, Membrane, Enforcer WiFi MUX	1
139	0802946		Wiper Control, 2-Speed w/Intermittent, Steering Wheel, Left Pod, SFR/Enf	1
140	0731813		Hour Meter, Aerial, Included in Information Centers, ASL, AAT, ASP	1
141	0002615		Switch, Aerial 12V Master	1
142	0002617		PTO switch, w/light - aerial	1
143	0767635		Wiring, Spare, 4.8 A 12V DC, USB Termination, Kussmaul 091-219-5 Sw Pnl 1st	2
			Qty, - 02	
			12vdc power from - Battery direct	
			Location - Officer side dash panel	
144	0548006		Wiring, Spare, 15 A 12V DC 2nd	3
			Qty, - 03	
			12vdc power from - Battery direct	
			Wire termination - 10-Place Bus Bar w/Cover	
			Location - Behind driver and officer seat and one in ems cabinet	
145	0548004		Wiring, Spare, 15 A 12V DC 1st	2
			Qty, - 02	
			12vdc power from - Battery direct	
			Wire termination - Butt Splice	
			Location, Spare Wiring - Officer Dash	
146	0615386		Vehicle Information Center, 7" Color Display, Touchscreen, MUX	1
			System Of Measurement - US Customary	
147	0734857		Collision Mitigation, HAAS Alert (R2V), HA5	1
			Subscription, HAAS R2V - R2V - 5 Year Data Plan Subscription	
148	0606249		Vehicle Data Recorder w/CZ and Overhead Display Seat Belt Monitor	1
149	0766255		Antenna Mount, Custom Chassis, Harris AN-125001-006, GPS Combo w/NMO for Whip	1
			Location - Roof	
			Qty, - 01	
			Location 1 - Behind the officer seat	
150	0696439		Antenna Mount, Custom Chassis, Cable Routed to Instrument Panel Area	1
			Qty, - 01	
			Location, Antenna Mount - Right Side	
151	0653519		Camera, Pierce, Driver Mux, R, RS, LS Cameras	1
			Camera System Audio - Not Provided	
152	0797854		Camera, Rosco, DV XC4, Windshield Mounted, Forward and Interior DVR	1
			Location, Event Button - Mount at Pick Up Driver Dash	

Line	Option	Type	Option Description	Qty
153	0890416		Pierce Command Zone, Advanced Electronics & Control System, Enforcer, WiFi CZT Color, Antenna - Black Antenna Module Housings - See Through Housings with LED Cuircuit Indicators	1
154	0896456		Prognostics, Electrical System	1
155	0892649		CZ Connect Telematics Subscription, CZ Connect Telematics - 5 Year Subscription	1
156	0733539		Electrical System, Enf MUX ESP	1
157	0079166		Batteries, (4) Exide Grp 31, 950 CCA ea, Threaded Stud	1
158	0008621		Battery System, Single Start, All Custom Chassis	1
159	0002698		Battery Compartment, Saber/Enforcer	1
160	0756121		Charger, Sngl Sys, Ksml, Pump+ 1200, 091-187-12-REMOTE Ind Fet, 091-9B-1-AD Cmp Battery Chrg Display, Ksml - Bar Graph Ind, part number 091-199-001 bar graph	1
161	0012781		Location, Charger/Compr, Front left body compt	1
162	0537512		Location, Bat Chrg Ind, Display Through Window Behind Driver Seat	1
163	0016857		Shoreline, 20A 120V, Kussmaul Auto Eject, 091-55-20-120, Super Qty, - 01 Color, Kussmaul Cover - b) red Shoreline Connection - Battery Charger	1
164	0026800		Shoreline Location Location, Shoreline(s) - DS Cab Side	1
165	0783395		Transfer Switch, Generator to Shoreline 30 Amp and Under	1
166	0754105		Alternator, 430 amp, Niehoff C681	1
167	0092582		Load Manager/Sequencer, MUX Enable/Disable Hi-Idle - e)High Idle enable	1
168	0783153		Headlights, Rect LED, JW Spkr Evo 2, AXT/DCF/Enf/Imp/Sab/Vel Color, Headlight Bez - Chrome Bezel	1
169	0802935		Light, Directional, Wln M62T* LED, Cmn Bzl, Above Headlights, Sab/Enf Color, Lens, LED's - Clear Color, Q Bezel and Trim - Black Flash Pattern, Directional Lts - Steady On (Arrow)	1
170	0620054		Light, Directional/Marker, Intermediate, Weldon 9186-8580-29 LED 2lts	1
171	0736083		Lights, Clearance/Marker, Side, P25 LED 2 Lts, Others With Visor Lt	1
172	0647899		Lights, Directional/Marker, Cab Front Side, Weldon 9186-8580-29 LED, Sab/Enf	1
173	0670831		Lights, Clearance/Marker/ID, Rear, P25 LED 7Lts, 100AAT	1
174	0602938		Light, Marker End Outline, Rubber Arm, LED Marker Lamp, Rear Body Qty, Lights, Pair - 1	1
175	0804514		Lights, Tail, Wln M62BTT* Red Stop/Tail & M62T* Amber Dir Arw For Hsg Color, Lens, LED's - Clear Flash Pattern, Directional Lts - Steady On (Arrow)	1
176	0561471		Lights, Backup, Wln M6BUW, LED, For Tail Lt Housing	1
177	0663884		Bracket, License Plate & Light, P25 LED, Temp Under Tailbrd Location - Left Side	1
178	0556842		Bezels, Wln, (2) M6 Chrome Pierce, For mtg (4) Wln M6 lights	1
179	0589905		Alarm, Back-up Warning, PRECO 1040	1
180	0769420		Lights, Perimeter Cab, Amdor AY-LB-12HW020 LED 4Dr	1
181	0769564		Lights, Perimeter Pump House, Amdor AY-LB-12HW020 LED 1lt	1
182	0763190		Lights, Perimeter Body, Amdor AY-LB-12HW012 LED 3lts Control, Perimeter Lts - Parking Brake Applied	1
183	0896454		Enhanced Software for Perimeter Lts	1
184	0735865		Step Illumination, Pump Panel Light Shield, 100AAT, w/Pump	1
185	0760887		Light, Roof Mt, HiViz, FT-B-X-72-ML-*-* , Cnt Feature, Mux Control, Scene Lts - Cab Sw Panel DS Color, Lt Housing HiViz - White	1
186	0768062		Lights, Wln, PCPSM1* Pioneer, 12 VDC, 2nd Location - LS High over front wheel Qty, - 01 Color, Wln Lt Housing - Chrome Cover Control, Scene Lts - Cab Sw Panel DS	1
187	0768064		Lights, Wln, PCPSM1* Pioneer, 12 VDC, 1st Location - RS high over front wheel	1

Line	Option	Type	Option Description	Qty
187			Qty, - 01 Color, WIn Lt Housing - Chrome Cover Control, Scene Lts - Cab Sw Panel DS	
188	0766906		Lights, WIn, PCPSM1*, Pioneer, 12 VDC, 1st Location - LS Body forward and rearward high Qty, - 02 Color, WIn Lt Housing - Chrome Cover Control, Scene Lts - DS Scene Lts	2
189	0766905		Lights, WIn, PCPSM1*, Pioneer, 12 VDC, 2nd Location - Rs Body forward and rearward high Qty, - 02 Color, WIn Lt Housing - Chrome Cover Control, Scene Lts - PS Scene Lts	2
190	0766802		Not Required, Deck Lights, Other Hose Bed & Rear Lighting, 100AAT	1
191	0729276		Lights, Hose Bed, Front/Rear, Light Strips, AAT Control, Hose Bed Lts - Parking Brake	1
192	0737026		Lights, Rear Scene, WIn, M6ZC LED, M6P15* 15 Deg Brkt, 58" - 72" High Control, Rear Scene Lts - Cab Switch Panel DS Color, Trim - Chrome Trim	1
193	0892706		Lights, Walk Surf, FRP Flood, P25 LED, 100AAT Color, Trim - Chrome Housing	1
194	0771870		Aerial, 100AAT, Alum Body	1
195	0554271		Body Skirt Height, 20"	1
196	0769002		Tank, Water, 300 Gallon, Poly, 100AAT	1
197	0751917		Overflow, 3.00" Water Tank, Poly	1
198	0028104		Foam Cell Required	1
199	0003429		Not Required, Direct Tank Fill	1
200	0769016		Hose Bed, Alum, Right Side, 100AAT	1
201	0723546		DA Finished Hose Bed/Cargo Area	1
202	0555137		Hose Bed Capacity 800' of 5.00", 100AAT, 100' RMAP	1
203	0748063		Hose Restraint, Front Vinyl/Treadplate, 1" Heavy Nylon Web Rear, 100AAT Color, Vinyl Cover - a) red	1
204	0003512		Running Boards, Ascendant, PAL	1
205	0735582		Turntable Steps, Swing-Down, Left Side, 100AAT Step, Flip - No Flip Step Body Handrail Finish - knurled aluminum Step Surface, Turntable - Punched Grip	1
206	0889980		Lights, Step (3), P25 LED, One Side Control, Scene Lts - Park Brake Color, Trim - Chrome Housing	1
207	0690023		Wall, Rear, Smooth Aluminum	1
208	0074515		Tow Eyes (2), 100AAT, Ascendant Single Axle, 75' HAL	1
209	0769019		Construction, Compt, Alum, 100AAT	1
210	0771504		Compt, Left Side, Roll, 100AAT Latch, Door, Access - lift and turn latch, flush, pair	1
211	0771505		Compt, Right Side, Roll, 100AAT	1
212	0766483		Doors, Gortite Rollup, Side Compartments Qty, Door Accessory - 09 Color, Roll-up Door, Gortite - Painted to Match Lower Body Latch, Roll-up Door, Gortite - Non-Locking Liftbar	9
213	0740006		Bumper, Rear, 3", Counterweight, Steel, Full 45 Degree Angled Corners, 100AAT	1
214	0603083		Lights, Compt,Pierce LED,Dual Light Strips,Each Side Dr,Ascend TA,75'HAL,PAP,HDL Qty, - 09 Location, Compartment Lights - All Body Compts	9
215	0687145		Shelf Tracks, Recessed, PUC/3rd Generation	1
216	0600289		Shelves, Adj, 500 lb Capacity, Full Width/Depth, Predefined Locations, Aerial Qty, Shelf - 08 Material Finish, Shelf - Painted - Spatter Gray Location, Shelves/Trays, Predefined - .Location To Be Determined	8
217	0647772		Tray, Floor Mounted, Slide-Out, 500lb, 2.00" Sides, 3G Qty, - 05 location - B1 for LDH the rest are TBD	5



Line	Option	Type	Option Description	Qty
217			Material - Painted - Spatter Gray	
218	0725642		Cabinet, Drawer Assembly, CTECH, Three Drawers, Up To 36" Wide	1
			Qty, - 01	
			Location - LS4	
			Size, Drawer Height 1 (Top) - 6.00"	
			Size, Drawer Height 2 - 6.75"	
			Size, Drawer Height 3 - 10.75"	
219	0061917		Rub Rail, Aluminum Extruded, 3.12", Side of Body	1
220	0769018		Fender Crowns, Rear, S/S, w/Removable Fender Liner, Aerial, 3G, Two Pair	1
221	0519849		Not Required, Hose, Hard Suction	1
222	0893499		Handrails, Side Pump Panels, Per Print, Hansen Knurled Alum Tubing, LED, Aerial	1
			Switch, Handrail Light Control - Park Brake	
			Color, Light, Hansen Handrail - White	
			Step, Runningboard - step	
223	0765324		Compt, Air Bottle/Extinguisher,Between Tandems,Three (3),w/Straps,100AAT,Bolt-Ir	2
			Qty, Air Bottle Comp - 2	
			Location, driver's/passenger's/center - 1LS & 1RS	
			Door Finish, Fender Compt - Brushed	
			Latch, Air Bottle Compt - Flush Lift & Turn, Pair	
			Insert, Air Bottle Compt - Dura-Surf Lining	
			Door Type - lift up with pneumatic spring	
224	0622393		Compt, Air Pack Fender Panel	2
			Location, Bracket/comp. - RS forward and rearward of tire	
			Qty, - 02	
			Door Finish, Fender Compt - Brushed	
			Latch, Air Bottle Compt - Southco C2 Chrome Raised	
			Insert, Air Bottle Compt - Dura-Surf Lining	
225	0747880		Compt, Air Bottle, Single w/ DEF, Common Tri Door, Fender Panel, Bolt-In	1
			Qty, Air Bottle Comp - 1	
			Door Finish, Fender Compt - Brushed	
			Location, Fender Compt - Single - LS Fwd	
			Latch, Air Bottle Compt - Southco C2 Chrome Raised	
			Insert, Air Bottle Compt - Dura-Surf Lining	
226	0750559		Compt, Air Bottle, Double, Fender Panel, Alum, Common Fuel Door, 100AAT	1
			Qty, Air Bottle Comp - 1	
			Door Finish, Fender Compt - Brushed	
			Location, Fender Compt - Single - LS Rear - Fuel Fill Combo - Triangular	
		Dr		
			Latch, Air Bottle Compt - Southco C2 Chrome Raised	
			Insert, Air Bottle Compt - Dura-Surf Lining and W-Shaped Insert	
227	0768635		Ladder, 35' Duo-Safety 1200A 2-Sect	2
			Qty, - 02	
228	0010406		Ladder, 28' Duo-Safety 1200A 2-Section	1
			Qty, - 1	
			Location, Extension Ladder - torque box	
229	0074230		Ladder, 20' Duo-Safety 875A Roof	1
			Qty, - 1	
230	0542436		Ladder, 16' Duo-Safety 875-DR Roof	1
			Qty, - 01	
231	0024233		Not Required, Attic Extension Ladder	1
232	0768634		Ladder, 10' Duo-Safety Folding, 585A	2
			Qty, - 02	
			Location, Folding Ladder Aerial - torque box	
233	0744482		Ladders Stored in Torque Box, Gortite Roll, Non-Sealed Lower Compt, 100AAT	1
			Color, Roll-up Door, Gortite - Satin finish	
			Latch, Roll-up Door, Gortite - Non-Locking, Rear	
234	0766602		Lights, Torque Box Ladder Storage, Pierce LED Strip Lights, 2 Lts, 100AAT	1
235	0775907		Pike Pole, 12' DUO Safety, Fiberglass	2
			Qty, - 02	
236	0789564		Pike Pole, 8' DUO Safety, Fiberglass, Aerial	2
			Qty, - 02	
237	0552649		Pike Pole, 6' Fire Hooks Unlimited, New York Roof Hook, Steel, Pry End, RH-6	1
			Qty, - 01	
			Location - Pike pole storage	

Line	Option	Type	Option Description	Qty
238	0789586		Pike Pole, 3' DUO Safety, Fiberglass, w/D Handle	2
			Qty, - 02	
239	0770572		Pike Pole Tubes, in Torque Box/Ladder Storage, Alum, Special Notch, NY Style	6
			Qty, - 06	
240	0765390		Pump House, Side Control, 42", 100AAT, Control Zone	1
241	0767048		Pump House Structure	1
242	0767622		Pump, Waterous, S100, 2000 GPM, Single Stage, 100' AAT	1
243	0504116		Seal, Mechanical, Waterous, w/S100 Pump	1
244	0559768		Trans, Pump, Waterous C20, S100 Pump Only	1
245	0635600		Pumping Mode, Stationary Only	1
246	0605126		Pump Shift, Air Mnl Override, Split Shaft, Interlocked, Waterous	1
247	0003148		Transmission Lock-up, EVS	1
248	0004547		Auxiliary Cooling System	1
249	0014486		Not Required, Transfer Valve, Single Stage Pump	1
250	0746508		Valve(s), Relief Intake, Trident Air Max, Control Location	1
			Qty - 1	
			Pressure Setting - 125 psig	
			Intake Relief Valve Control - Behind Right Side Pump Panel	
251	0794959		Controller, Pressure, Pierce, Pump Boss, PBA300	1
252	0072153		Primer, Trident, Air Prime, Air Operated	1
253	0780364		Manuals, Pump, (2) Total, Electronic Copies	1
254	0602492		Plumbing, Stainless Steel and Hose, Single Stage Pump, 100AAT	1
255	0795135		Plumbing, Stainless Steel, w/Foam System	1
256	0751029		Inlets, 6.00", (1) Left Side, (1) Right Side, 1500-2000 GPM Pump, 100AAT	1
257	0014650		Pump Suction Tube(s), Short, All	1
258	0004646		Cap, Main Pump Inlet, Long Handle, NST, VLH	1
259	0084610		Valves, Akron 8000 series- All	1
260	0016158		Valve, Inlet(s) Recessed, Side Cntrl, "Control Zone"	1
			Qty, Inlets - 1	
261	0004700		Control, Inlet, at Valve	1
262	0004660		Inlet (1), Left Side, 2.50"	1
263	0029147		Not Required, Inlet, Right Side	1
264	0723049		Valve, .75" Bleeder, Aux. Side Inlet, "T" Swing Handle	1
265	0767284		Tank to Pump, (1) 3.00" Valve, 3.00" Plumbing, 100AAT	1
266	0004905		Outlet, Tank Fill, 1.50"	1
267	0062133		Control, Outlets, Manual, Pierce HW if applicable	1
268	0890913		Outlet, Left Side, 2.50", 100AAT	2
			Qty, Discharges - 02	
269	0005091		Elbow, Left Side Outlets, 45 Degree, 2.50" FNST x 2.50" MNST, VLH	1
270	0004945		Outlet, Right Side, 2.50"	1
			Qty, Discharges - 01	
271	0025091		Elbow, Right Side Outlets, 45 Degree, 2.50" FNST x 2.50" MNST, VLH	1
272	0762721		Outlet, 4" w/4" Valve, Right Side, Akron 9327 Elec Controller	1
273	0005097		Elbow, Large Dia Outlet, 30 Deg, 4.00" FNST x 5.00" Storz	1
			Qty, - 01	
274	0738134		Outlet, Front, 1.50" w/2" Plumbing, 100AAT	1
			Fitting, Outlet - 1.50" NST with 90 degree swivel	
			Drain, Front Outlet - Automatic	
			Location, Front, Single - in center bumper tray	
275	0752097		Caps/Plugs for 1.00" to 3.00" Discharges/Inlets, Chain	1
276	0723042		Valve, 0.75" Bleeder, Discharges, "T" Swing Handle	1
277	0005080		Reducer, 2.50" FNST x 1.50" MNST, w/Cap	3
			Qty, Adapter for Outlets - 03	
			Location, Adapter(s) - All 2.5" side outlets	
278	0029106		Not Required, Deluge Outlet	1
279	0720739	SP	Waterway Outlet & Control, 4" Akron 9327 Electric, 100AAT	1
280	0723726		Speedlay Module Not Required	1
281	0722432		Hose Restraint Not Required, No Speedlay Module	1
282	0723395		Speedlays, Not Required	1
283	0723394		Speedlays, Not Required	1
284	0762277		Crosslays Sngl Sheet Unpainted, (1+) 1.50" Std. Cap, 100AAT	2
			Qty, Crosslays - 2	

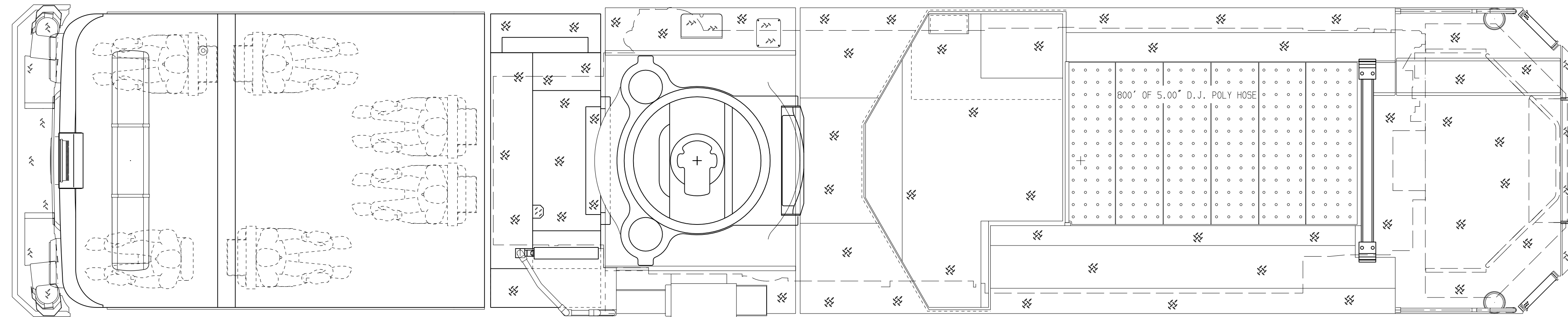
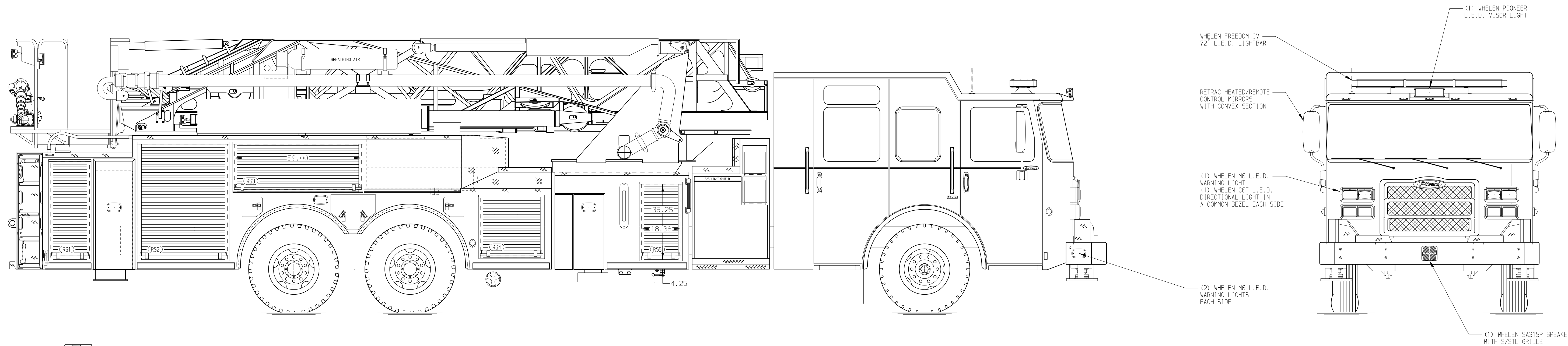
Line	Option	Type	Option Description	Qty
285	0762275		Crosslays Sngl Sheet Unpainted, (1) 2.50" Std Cap, 100AAT	1
286	0751312		Hose Restraint, Crosslays, Vinyl, (2) Seat Belt Buckle, Tether Release Color, Vinyl Cover - c) black Color, Strap - Black Release, Seat Belt Buckle - Y-Strap	1
287	0734284		Foam Sys, Husky 3, Single Agent, Multi Select Feature, 100AAT Outlet, Foam - No. 1 Crosslay, No. 2 Crosslay, No. 3 Crosslay and Center Front Discharge	1
288	0012126		Not Required, CAF Compressor	1
289	0592527		Refill, Foam Tank, Integral, Husky 3	1
290	0031896		Demonstration, Foam System, Dealer Provided	1
291	0022539		Foam Cell, 20 Gallon, Reduce Water Type of Foam - Class "A"	1
292	0733554		Drain, 1.00" Foam Tank, 100AAT	1
293	0091112		Not Required, Foam Tank #2 Drain	1
294	0738072		Approval Dwg, Pump Panel(s), Not Required	1
295	0032479		Pump Panel Configuration, Control Zone	1
296	0747651		Step, Slide-Out/Fold-Out, Pump Operator Platform, 100AAT	1
297	0667186		Light, Slide-Out Pump Operator Step, On Scene Solutions Access LED, Short Step	1
298	0629252		Material, Pump Panels, Side Control Black Vinyl Material Finish, Pump Panel, Side Control - Black Vinyl Material, Pump Panel, Side Control - Aluminum	1
299	0723264		Panel, Pump Access - Right Side Only, 100AAT Latch, Pump Panel Access, Side Mount - Flush Lift and Turn, Chrome, AAT	1
300	0583824		Light, Pump Compt, WIn 3SC0CDCR LED White Qty, - 01	1
301	0586382		Gauges, Engine, Included With Pressure Controller	1
302	0005601		Throttle, Engine, Incl'd w/Press Controller	1
303	0739224		Indicator Light @ Pump Panel, Throttle Ready, Incl w/Pressure Gov/Throttle,Green	1
304	0549333		Indicators, Engine, Included with Pressure Controller	1
305	0745568		Indicator Light, Pump Panel, Ok To Pump, Green	1
306	0511078		Gauges, 4.00" Master, Class 1, 30"-0-600psi	1
307	0511100		Gauge, 2.00" Pressure, Class 1, 30"-0-400psi	1
308	0062586		Gauge, Water Level, Class 1, Pierce Std	1
309	0062992		Gauge, Foam Level, (1) Tank, Class 1, GAAAR 5lt	1
310	0735892		Light Shield, S/S LS & RS, 100AAT, Std LED	1
311	0762640		Air Horns, (2) Hadley, 6" Round, eTone, In Bumper, 100AAT	1
312	0606833		Location, Air Horns, Bumper, Each Side, Inside Frame (Pos #3 & #5)	1
313	0016065		Control, Air Horn, Horn Ring, PS Chrome Push Button	1
314	0525667		Siren, WIn 295SLSA1, 100 or 200 Watt	1
315	0510206		Location, Elect Siren, Recessed Overhead In Console Location, Elec Siren - Overhead, DS Center Sw Pnl	1
316	0076156		Control, Elec Siren, Head Only	1
317	0601306		Speaker, (1) WIn, SA315P, w/Pierce Polished Stainless Steel Grille, 100 watt Connection, Speaker - siren head	1
318	0601565		Location, Speaker, Frt Bumper, Recessed, Center (Pos 4)	1
319	0895287		Siren, Federal Q2B, Enforcer, 100AAT Finish, Q2B Siren - Chrome	1
320	0728605		Siren, Mechanical, Mounted Above Deckplate, 100AAT Location, Siren, Mech - a) Left	1
321	0748305		Control, Mech Siren, Multi Select	1
322	0748282		Control Mech Siren, Ft Sw LS	1
323	0740391		Sw, Siren Brake, Momentary Chrome Push Button, RS	1
324	0002623		Cut-Out, Mech Siren, Interlock to Prk Brk	1
325	0746353		Not Required, Warning Lights Intensity	1
326	0778949		Lightbar, WIn, Freedom IV-Q, 72", RRRRWsrROptRsrWRRRR Opticom Priority - b) High Opticom Activation - E-Master Momentary Opticom Activation - PS Switch Filter, Whl Freedom Ltbrs - No Filters	1
327	0016380		No Additional Lights Req'd, Side Zone Upper	1

Line	Option	Type	Option Description	Qty
328	0540384		Lights, Front Zone, WIn M6*C LED, Clear Lens, in Common Bzl Color, Lt DS Front - Red Color, Lt PS Front - Red	1
329	0653937		Flasher, Headlight Alternating Headlt flash deactivation - a)w/high beam	1
330	0540679		Lights, Side Zone Lower, WIn M6*C LED, Clear Lens 2pr Location, Lights Front Side - b)each side bumper Color, Lt Side Front - Red Color, Lt Side Rear - Red Location, Lights Rear Side - Over Rear Wheels	1
331	0564655		Lights, Rear Zn Lwr, WIn M6*C LED, Clear Lens, For Tail Lt Housing Color, Lt DS Rear - r) DS Rear Lt Red Color, Lt PS Rear - r) PS Rear Lt Red	1
332	0088745		Light, Rear Zone Up, WIn L31HRFN LED Beacon, Red LED Color, Dome, Rear Warning - j) both domes clear	1
333	0006551		Not Required, Lights, Rear Upper Zone Blocking	1
334	0791501		Light, Traffic Directing, WIn TAL65, 36" Long LED, Aerials Activation, Traffic Dir L - Not Connected	1
335	0530074		Location, Traf Dir Lt, On Top of Body Below Turntable w/Trdplt Box	1
336	0530282		Location, Traf Dir Lt Controller, Overhead Switch Panel DS Right End	1
337	0023717		Electrical System, A/C w/Customer Installed Generator	1
338	0016691		Generator, Cust/Sales Rep Furnished (Installed by F.D.) Fill in Blank - Customer to install honda generator Pig tail supplied in the Ls1 Compt.	1
339	0066645		Generator Mounting Location by Customer Location, Generator - LS1	1
340	0016751		Manual Start, Generator	1
341	0016757		Not Required, Remote Start, Generator	1
342	0016740		Not Required, Fuel System	1
343	0016767		Not Required, Oil Drain Extension, Generator	1
344	0006737		Circuit Breaker Panel w/Cust or Dealer Furn Generator Location, CB Panel - L1 Make/Model - Honda 6000KW	1
345	0016771		Not Required, Routing Exhaust, Generator	1
346	0519934		Not Required, Brand, Hydraulic Tool System	1
347	0649753		Not Required, PTO Driven Hydraulic Tool System	1
348	0771866		Aerial, Ascendant 100' Aerial Tower	1
349	0680821		Boom Panel, Pair Paint Color, Predefined - #10 white	1
350	0526890		Not Required, Indicator, Extension	1
351	0688232		Rung Covers, Aerial Device Rung Cover Color - Safety Yellow	1
352	0678539		Brackets Only, Roof/Wall Ladder, Aerial Fly Section Finish - DA Finish Roof Ladder, Make/Model - 16' Duo-Safety 875-A-DR 16.00" wide	1
353	0623645		Aerial Stability Test, Max Tip Options	1
354	0728982		Box, Saw Storage, w/Cover, Base Section Above Boom Panel, 100AAT, Door Sw Qty, - 01 Finish - Painted, Aerial Device Color Latch, Door, Storage - "D" Handle Latch Location, Aerial Device - right side Louvers - no louvers	1
355	0770598		Basket, 100AAT	1
356	0803225		Lights, Turntable Walkway, P25, On Scene, LED, 100AAT Color, Trim - Chrome Housing	1
357	0767535		Light, Turntable Console, TecNiq E-10, LED	1
358	0732762		Basket Heat Shields, 100AAT	1
359	0766953		Control Stations, 100AAT	1
360	0751348		Lights, Basket Interior, CLC-1049-20, 20" 100AAT	1
361	0771862		Stabilizers, 100AAT, Three Sets	1
362	0729051		Stabilizer Pan and Trim Material Stabilizer Panels - polished stainless steel Stabilizer Trim - polished stainless steel	1

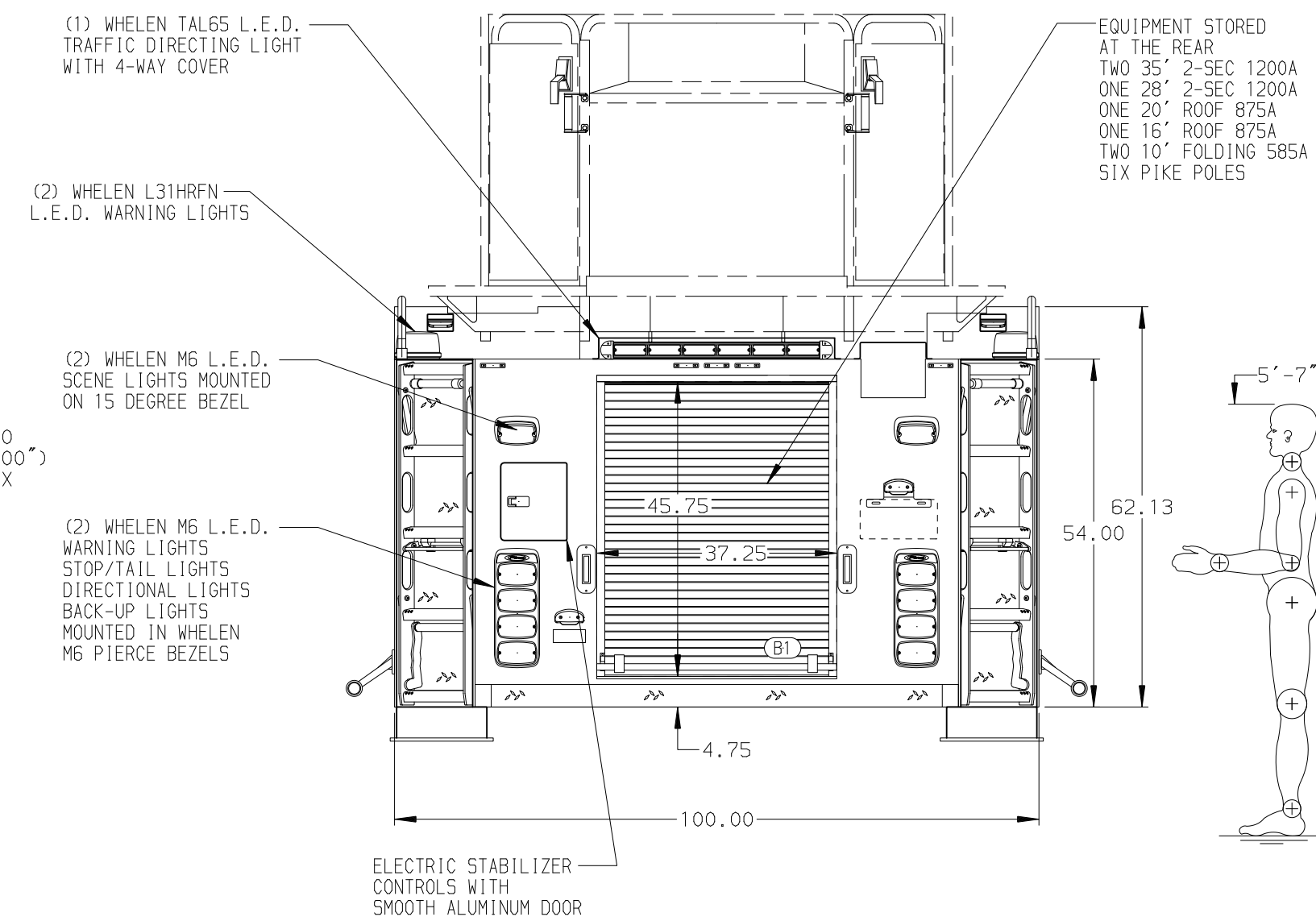
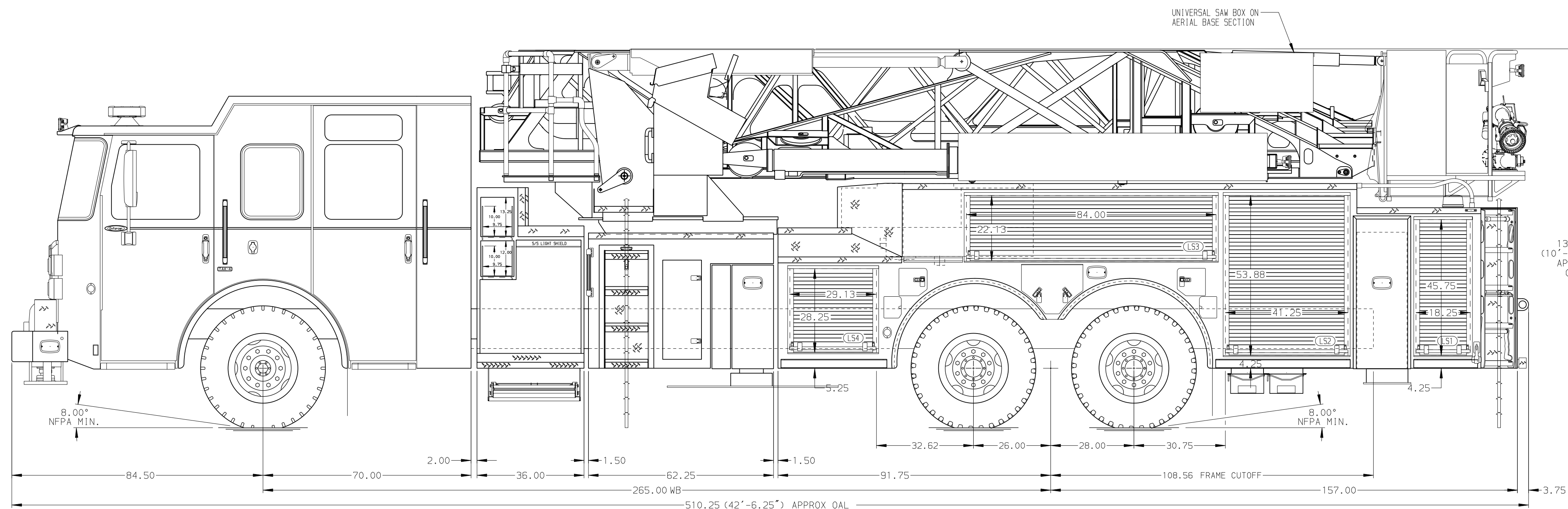
Line	Option	Type	Option Description	Qty
363	0746173		Door, Stabilizer Control Box, Aerial MUX, 100AAT Latch, Door, Storage - Lift and Turn Latch, Flush Hinge Location - Inboard Door, Material & Finish, Stabilizer - Smooth aluminum	1
364	0771218		Hydraulic System, 100AAT	1
365	0767932		Swivels, w/Encoder, 36, 100AAT	1
366	0767931		Electrical System, 100AAT	1
367	0757381		Light, Tip, WIn P*H2* LED, Front of Basket Bail Brkt 100AAT 1lts Color, WIn Lt Housing - White Paint Scene Light Optics - combination Control, Tip Lts - Turntable and Tip	1
368	0752453		Lights, Tracking, WIn MPB* LED, 100AAT 2lts Color, WIn Lt Housing - White Paint Scene Lt Optics LH Base - L Spot Scene Lt Optics RH Base - R Spot	1
369	0743431		Basket Access, w/ Flip Down Step, Lift Bar Latch, 100AAT Finish, Step Well - aluminum treadplate	1
370	0894586		Lights, Step (4), P25, Ladder Style Access Steps, Both Sides Control, Light - i) park brake Color, Trim - Chrome Housing	1
371	0749120		Lighting, Rung, LED, TecNiq, 5 Section, Base, Low, Cent, Upper, Fly, 100AAT Control, Aerial Rung Lighting - DS Sw Panel and Platform/Tip/Turntable Color, Lt Aerial Fly Sect - Red Color, Lt Aerial Base Sect - Blue Color, Lt Aerial Lower Mid Sect - White Color, Lt Aerial Upper Mid Sect - Red Color, Lt Aerial Mid Sect - White	1
372	0540743		Lights, Stabilizer Warn (2) Sets, WIn M6*C LED, Clear Lens Color, Lt Rr Stabilzr Pan - r) Pan Light Red Color, Lt Fr Stabilzr Pan - r) Pan Light Red	1
373	0068703		Lights, Grote Supernova LED, Stabilizer Beam, (1) Set	1
374	0762387		Lights, Stabilizer Scene, (3) sets, Amdor AY-LB-12HW012, 100AAT	1
375	0766878		120 Volt To Tip, 2-20 Amp L5-20 TL, 100AAT	1
376	0737181		Intercom, 2-Way Fire Research ICA910 Hands Free	1
377	0804619	SP	Camera System, Wireless Aerial Platform Camera to Pedestal MUX, AHD	1
378	0766913		Breathing Air to Tip, (1) 4500 PSI, 100AAT Refill Hose - 50' Breathing Air Fitting - Hansen Breathing Air Mask Box - mask box platform rubber draw latch	1
379	0024742		Not Required, Mask, Breathing Air To Tip	1
380	0741453		Outlet, Breathing Air at Basket, 100AAT, Additional Location, Additional Breathing Air Outlet - additional left rear	1
381	0767396		Aerial Pedestal, 100AAT	1
382	0766834		Lyfe Brackets, 3-In-1, Used w/Duo-Safety 875 Ladders ONLY, 100AAT	1
383	0767149		Turntable Access, ManSaver Bar, Yellow	1
384	0804860		Waterway, 100AAT Aerial Waterway Drain 100AAT - Standard Location, Right Side	1
385	0730399		Valves, (2) TFT VUM (Valve Under Monitor), Manual	1
386	0764417		Monitors, (2), TFT Monsoon, Y4-MP1A-P-01 Manual and Y4-EP1A-P Elec, (Use w/VUM) Nozzle, Monitor 1, PAP - TFT YST-4NN Tips Nozzle, Monitor 2, PAP - TFT M-ERP2000 Electric 2000 gpm	1
387	0086971		Flowmeter, Waterway, MUX, PAP	1
388	0009364		Inlet, 5.00", S/S, w/ Pump, Right Side, 100AAT	1
389	0047897		Tools, Aerial	1
390	0559491		Manuals and Training, 3 Consecutive Days, Platform	1
391	0007150		Bag of Nuts and Bolts Qty, Bag Nuts and Bolts - 1	1
392	0602497		NFPA Required Loose Equipment, Quint, NFPA 2016, Provided by Fire Department	1
393	0602397		Soft Suction Hose, Provided by Fire Department, Quint NFPA 2016 Classification	1
394	0027023		No Strainer Required	1
395	0602534		Extinguisher, Dry Chemical, Quint NFPA 2016, Provided by Fire Department	1
396	0602352		Extinguisher, 2.5 Gal. Pressurized Water, Quint, NFPA 2016, Provided by Fire Dept	1

Line	Option	Type	Option Description	Qty
397	0765595		Ladder Belts, Aerial	1
			Safety Belt, Large/XL - (2) two Large/XL (34"-42" waist)	
			Safety Belt, Small/Medium - 0) small/medium (26"-34" waist)	
			Safety Belt, XXL - (1) one XXL (42"-50" waist)	
398	0007482		Not Required, Crowbars	1
399	0007484		Not Required, Claw Tools	1
400	0602883		Axe, Flathead, Quint NFPA 2016, Provided by Fire Department	1
401	0602670		Axe, Pickhead, Quint NFPA 2016, Provided by Fire Department	1
402	0007494		Not Required, Sledgehammers	1
403	0741569		Paint Process / Environmental Requirements, Appleton	1
404	0709566		Paint, Two-Tone Color, Enforcer	1
			Paint Color, Upper Area, Predefined - #10 White	
			Shield, Cab - Standard Shield	
			Paint Color, Lower Area, Predefined - #30 Yellow	
			Paint Break, Cab - Standard Two-Tone Cab Break	
405	0709845		Paint, Single Color, Body	1
			Paint, Body - Match Lower Cab	
406	0646901		Paint Chassis Frame Assy, With Liner, E-Coat, Standard	1
			Paint Color, Frame Assembly, Predefined - Standard Black	
407	0693797		No Paint Required, Aluminum Front Wheels	1
408	0693792		No Paint Required, Aluminum Rear Wheels	1
409	0733739		Paint, Axle Hubs	1
			Paint, Axle Hub - Black #101	
410	0007230		Compartment, Painted, Spatter Gray	1
411	0792638		Aerial Platform Paint	1
			Paint Color, Aerial Device - White 10	
			Paint Color, Turntable - White 10	
			Paint Color, Boom Support - white 10	
			Paint Color, Cylinders - white 10	
			Paint Color, Aerial Torque Box - gloss black primer	
			Paint Color, Aerial Stabilizers - black 101	
			Paint Color, Aerial Basket - white 10	
			Paint Color, Aerial Rotation Motor - White 10	
			Paint Color, Aerial Control Console - white 10	
412	0544111		Reflective Band, 10"	1
			Color, Reflect Band - A - a) white	
413	0007356		Reflective across Cab Face	1
414	0583454		Stripe, Chevron, Rear, Diamond Grade, Aerial	1
			Color, Rear Chevron DG - fluorescent yellow green	
415	0598754		Stripe, Reflective/Diamond Grade, 4.00" on Stabilizers	1
			Color, Reflect Band - A - p) fluorescent yellow green diamond grade	
416	0065687		Stripe, Reflective, Cab Doors Interior	1
			Color, Reflective - a) white	
417	0027372		Lettering Specifications, (GOLD STAR Process)	1
418	0686428		Lettering, Gold Leaf, 3.00", (41-60)	1
			Outline, Lettering - Outline and Shade	
419	0686010		Lettering, Reflective, 6.00", (21-40)	1
			Outline, Lettering - Outline and Shade	
420	0685535		Lettering, Printed Effect Gold Leaf, 10.00", (1-20)	1
			Outline, Lettering - Outline and Shade	
421	0695610		Emblem, Reflective, Per Dept. Submittal, Each	2
			Qty, - 02	
			Location, Emblem - LS1 and RS1	
			Size, Dept Seal, Reflect - 34" - 36"	
422	0599008		Rust Proof/Undercoat, Custom Chassis	1
			Color, Undercoating - Black	
423	0695507		Rust Proof, Torque Box	1
			Color, Undercoating - Black	
424	0652945		E-Coat, Under Body/Chassis Component Package	1
			Paint Color, E-Coat - Black	
425	0772003		Manual, Fire Apparatus Parts, USB Flash Drive, Custom	1
			Qty, - 01	

Line	Option	Type	Option Description	Qty
426	0772037		Manual, Chassis Service, USB Flash Drive, Custom Qty, - 01	1
427	0773381		Manual, Chassis Operation, (1) USB Flash Drive, Custom	1
428	0030008		Warranty, Basic, 1 Year, Apparatus, WA0008	1
429	0696698		Warranty, Engine, Cummins, 5 Year, WA0181	1
430	0684952		Warranty, Steering Gear, TRW Ross TAS, 1 Year WA0202	1
431	0596017		Warranty, Frame, 50 Year, Custom Chassis, WA0013	1
432	0610471		Warranty, Axle, Eaton/Dana, 5 Year/100,000 Mile, Parts and Labor	1
433	0733305		Warranty, Tandem Axle, 5 Year, Meritor, General Service, WA0384	1
434	0652758		Warranty, ABS Brake System, 3 Year, Meritor Wabco, WA0232	1
435	0019914		Warranty, Structure, 10 Year, Custom Cab, WA0012	1
436	0744240		Warranty, Paint, 10 Year, Cab, Pro-Rate, WA0055	1
437	0524627		Warranty, Electronics, 5 Year, MUX, WA0014	1
438	0695416		Warranty, Pierce Camera System, WA0188	1
439	0647720		Warranty, Pierce LED Strip Lights, WA0203	1
440	0046369		Warranty, 5-year EVS Transmission, Standard Custom, WA0187	1
441	0685945		Warranty, Transmission Cooler, WA0216	1
442	0688798		Warranty, Water Tank, Lifetime, UPF, Poly Tank, WA0195	1
443	0596025		Warranty, Structure, 10 Year, Body, WA0009	1
444	0693127		Warranty, Gortite, Roll-up Door, 6 Year, WA0190	1
445	0734463		Warranty, Pump, Waterous, 7 Year Parts, WA0382	1
446	0648675		Warranty, 10 Year S/S Pumbing, WA0035	1
447	0657990		Warranty, Foam System, Husky 3, WA0231	1
448	0006999		Warranty, Structure, 20 Year, Aerial Device, WA0052	1
449	0687388		Warranty, Swivels, 5 Year, Aerial Device, WA0197	1
450	0685727		Warranty, Hydraulic System and Components, 3 Year/5 Year, WA0200	1
451	0687327		Warranty, Waterway, 10 Year, Aerial Device, WA0198	1
452	0595860		Warranty, Paint, 4 Year, Aerial Device, Pro-Rated, WA0047	1
453	0553455		Warranty, Electronics, 5 Year, MUX, WA0014	1
454	0595820		Warranty, Paint, 10 Year, Body, Pro-Rate, WA0057	1
455	0595421		Warranty, Goldstar, 3 Year, Apparatus, WA0018	1
456	0683627		Certification, Vehicle Stability, CD0156	1
457	0736243		Certification, Engine Installation, Enforcer, Cummins X12, 2021, CD0170	1
458	0686786		Certification, Power Steering, CD0098	1
459	0631980		Certification, Cab Integrity, Saber FR/Enforcer, CD0130	1
460	0631973		Certification, Cab Door Durability, Saber FR/Enforcer, CD0137	1
461	0631978		Certification, Windshield Wiper Durability, Saber FR/Enforcer, CD0132	1
462	0631974		Certification, Electric Window Durability, Saber FR/Enforcer, CD0133	1
463	0631977		Certification, Seat Belt Anchors and Mounting, Saber FR/Enforcer, CD0134	1
464	0735949		Certification, Cab HVAC System Performance, SFR/Enf, CD0165/CD0167/CD0174/CD0175	1
465	0545073		Amp Draw Report, NFPA Current Edition	1
466	0002758		Amp Draw, NFPA/ULC Radio Allowance	1
467	0799248		Appleton/Florida BTO	1
468	0000053		Ascendant Tower	1
469	0000012		PIERCE CHASSIS	1
470	0004713		ENGINE, OTHER	1
471	0046396		EVS 4000 Series TRANSMISSION	1
472	0805943		WATEROUS PUMP S-100 AAT	1
473	0020009		POLY TANK	1
474	0028048		FOAM SYSTEM	1
475	0020006		SIDE CONTROL	1
476	0020007		AKRON VALVES	1
477	0020015		ABS SYSTEM	1
478	0755454		AERIAL MEDIUM	1

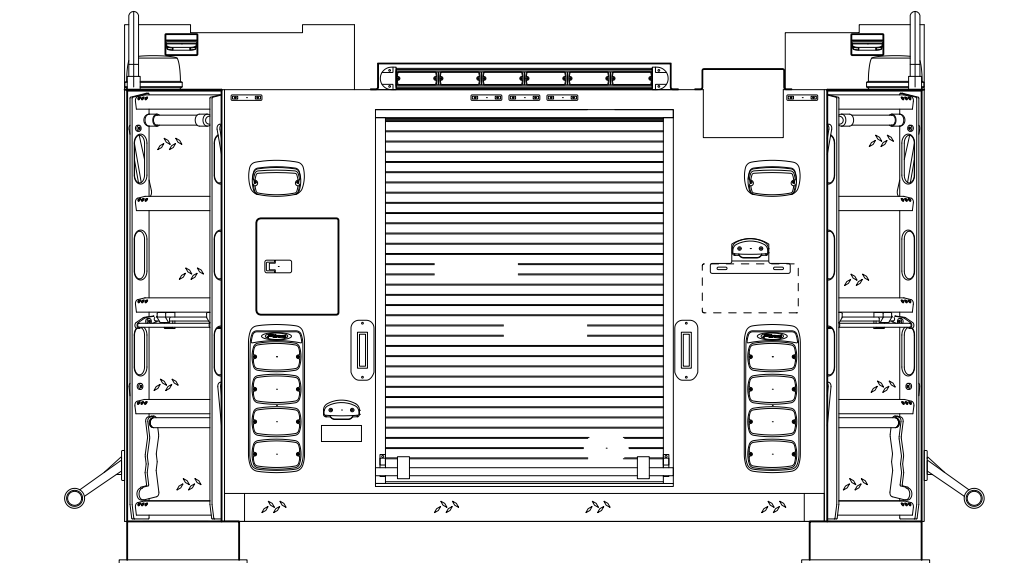
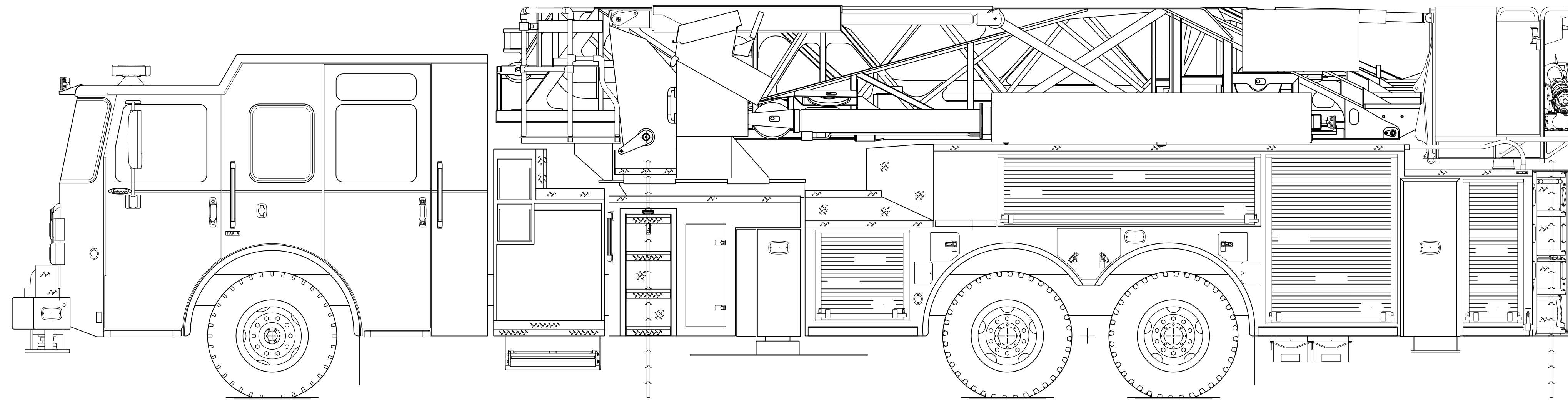
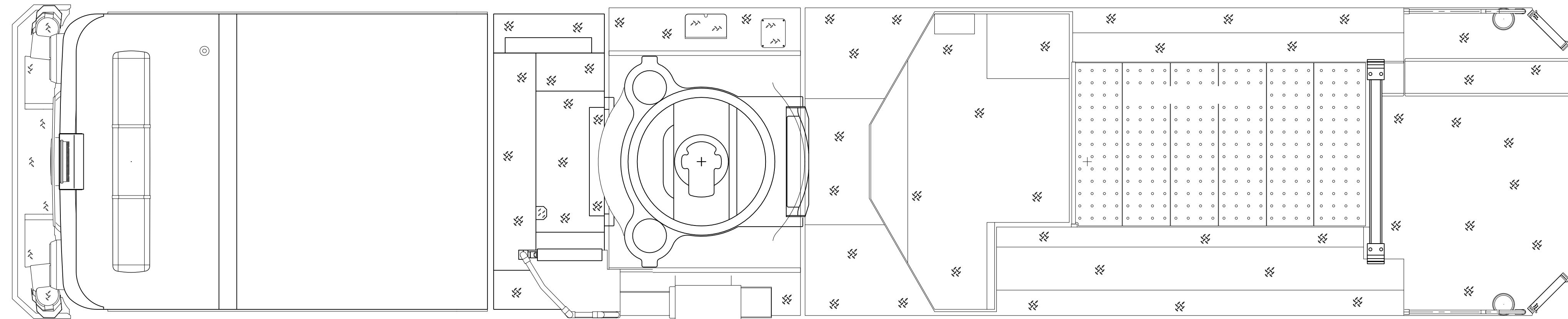
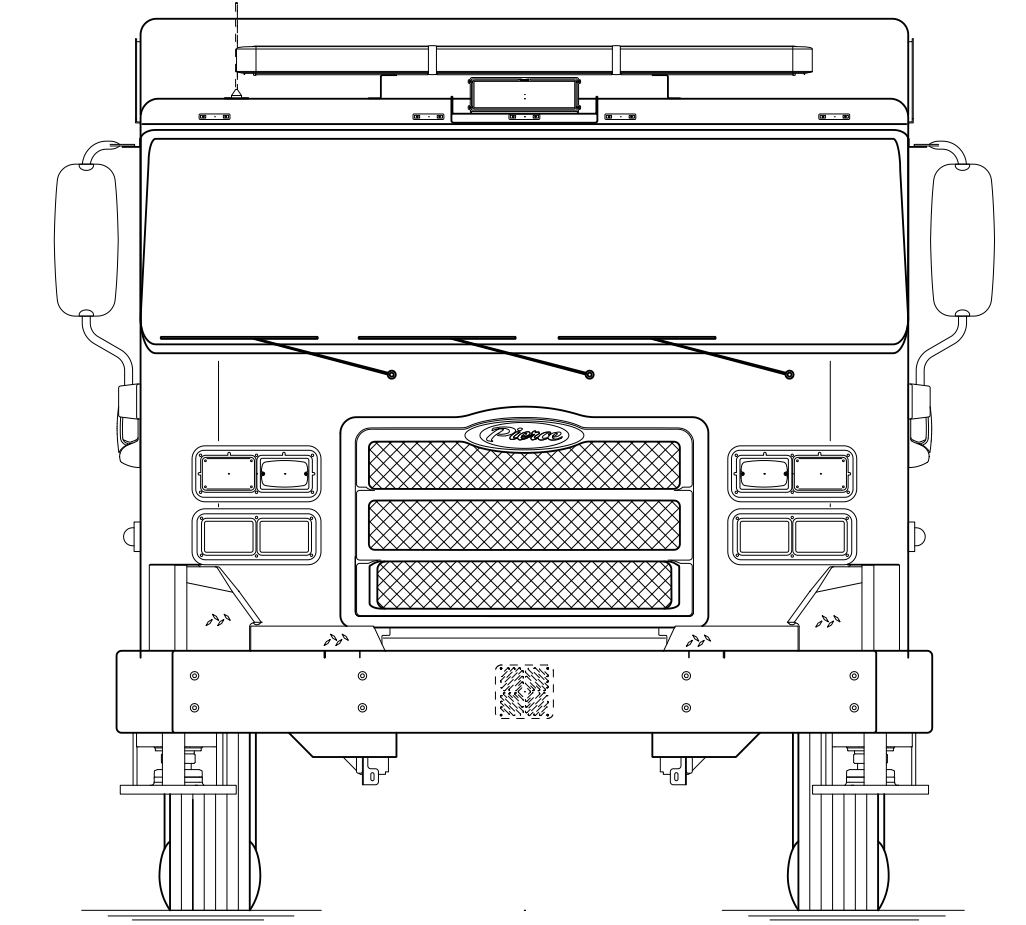
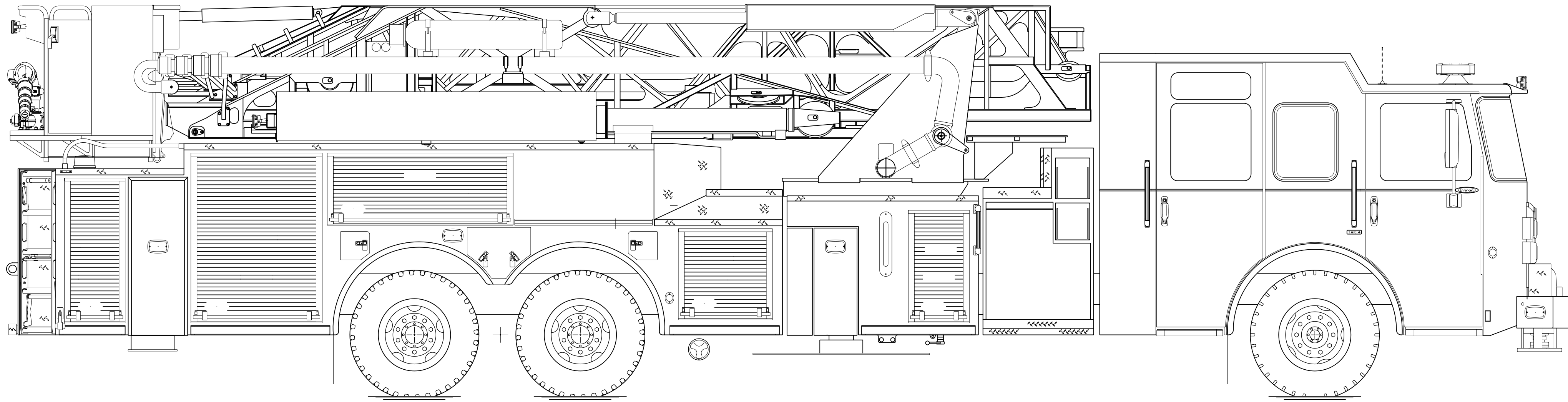


<b>BODY</b> 100' Ascendant Aerial Tower Alum Body <b>COMPT, LEFT SIDE</b> Full Height RollUp Doors <b>COMPT, RIGHT SIDE</b> Full Height RollUp Doors	<b>WATER TANK</b> 300 Gallon Poly Water Tank <b>Foam System</b> Foam System Not Required <b>Foam Cell</b> Foam Cell Not Required
---	---



<b>CHASSIS</b> Enforcer Chassis <b>ENGINE</b> 525 HP Cummins X12 Engine	<b>CAB</b> 7010 Enforcer Cab <b>BUMPER</b> 15\" Painted Aluminum	<b>AXLE, FRONT, CUSTOM</b> 24,000 Lb TAK-4 Axle <b>AXLE, REAR</b> 52,000 Lb Meritor Axle	<b>TRANSMISSION</b> Allison 5th Gen, 4000 EV5 P	<b>PUMPHOUSE</b> 36\" Control Zone Side Mount <b>PUMP</b> 2000 GPM Waterous S100	<b>CROSSLAYS, 1.50\"</b> (2) 1.50\", With Trays, 200' <b>CROSSLAYS, 2.50\"</b> 2.50\" Crosslay Not Required	<b>SPEEDLAYS</b> Speedlays Not Required <b>GENERATOR</b> Generator Not Required	<b>SAFETY</b> Side Roll and Frontal Impact Protection	<b>CUSTOMER APPROVAL</b> APPROVED BY: _____ DATE: _____		JOB NO. - SCALE 1:24 DATE DRAWN BY - CHECKED BY - SHEET SIZE D SHEET NO. 1 OF 1
<b>NOTE</b> DIMENSIONS SHOWN ARE APPROXIMATE AND ARE SUBJECT TO MINOR DEVIATIONS AS MAY OCCUR OR BE NECESSARY IN CONSTRUCTION. MINOR DETAILS NOT SHOWN.										
1. SHORELINE RECEPTACLE WITH KUSSMAUL SUPER AUTO-EJECT LOCATED ON DRIVER SIDE OF THE CAB 2. AIR INLET WITH DISCONNECT COUPLING IN THE DRIVER SIDE STEPWELL 3. BATTERY CHARGER LOCATED PER ORDER 4. BATTERY CHARGE INDICATOR LOCATED ON THE DRIVER SIDE SEAT RISER 5. ADJUSTABLE SHELVES LOCATED PER ORDER 6. NON-RAISED AERIAL PEDESTAL 7. 3-IN-1 LYFECOMBO BRACKETS AT AERIAL BASKET										





NOTE  
LAYOUT AND SIZES PROVIDED BY CUSTOMERS  
MAY VARY DUE TO AVAILABLE WORKING SPACE.

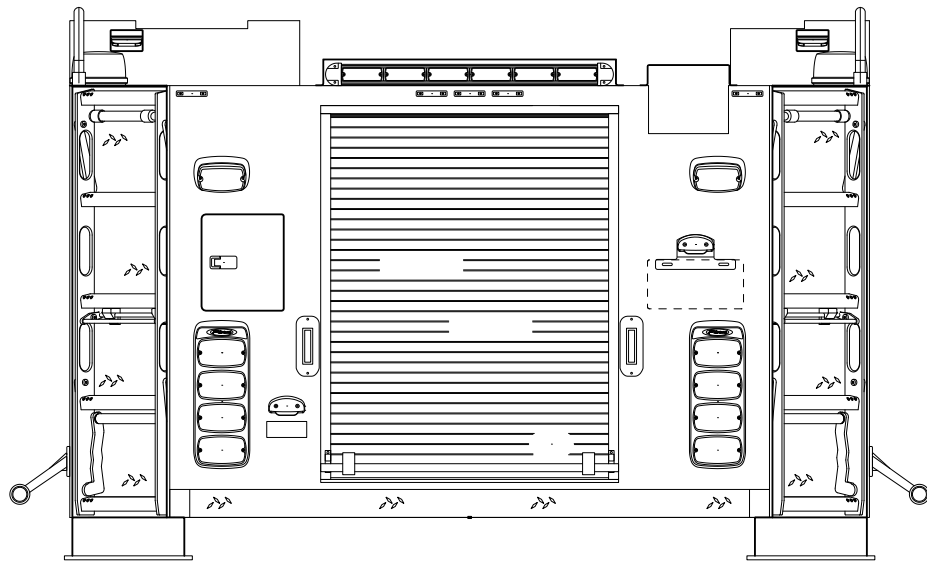
COLOR LEGEND	
PINK	LETTERING (VINYL OR REFLECTIVE)
ORANGE	STRIPING (VINYL OR REFLECTIVE)
GREEN	GOLD LEAF
YELLOW	CUSTOMER FURNISHED PRODUCT

**CUSTOMER APPROVAL**

APPROVED BY: \_\_\_\_\_  
DATE: \_\_\_\_\_

REV	DATE	BY	CH

 <b>MANUFACTURING INC.</b>		JOB NO.	—
		SCALE	1:24
TITLE	LETTERING, STRIPING, AND PAINTING INSTRUCTIONS	DRAWN BY	—
FOR	Marshall AAT Tower	CHECKED BY	—
DWG NO.	LSP-LP	SHEET SIZE	D
		SHEET NO.	1 of 1



**CUSTOMER APPROVAL**

APPROVED BY: \_\_\_\_\_

DATE: \_\_\_\_\_

NOTE: PLEASE REVIEW CHEVRON COVERAGE AND DOOR MATERIAL PER PULSE OPTIONS. NON-RELATED OR NON-CRITICAL MINOR DEVIATIONS MAY EXIST.



**MANUFACTURING INC.**

JOB NO.

-

SCALE

1:24

DRAWN BY

-

DATE

06MAY22

TITLE

CHEVRON DRAWING

-

FOR

Marshall AAT Tower

-

DWG NO.

CHEVRON-CD

SHEET SIZE

A

SHEET NO.

1 OF 1