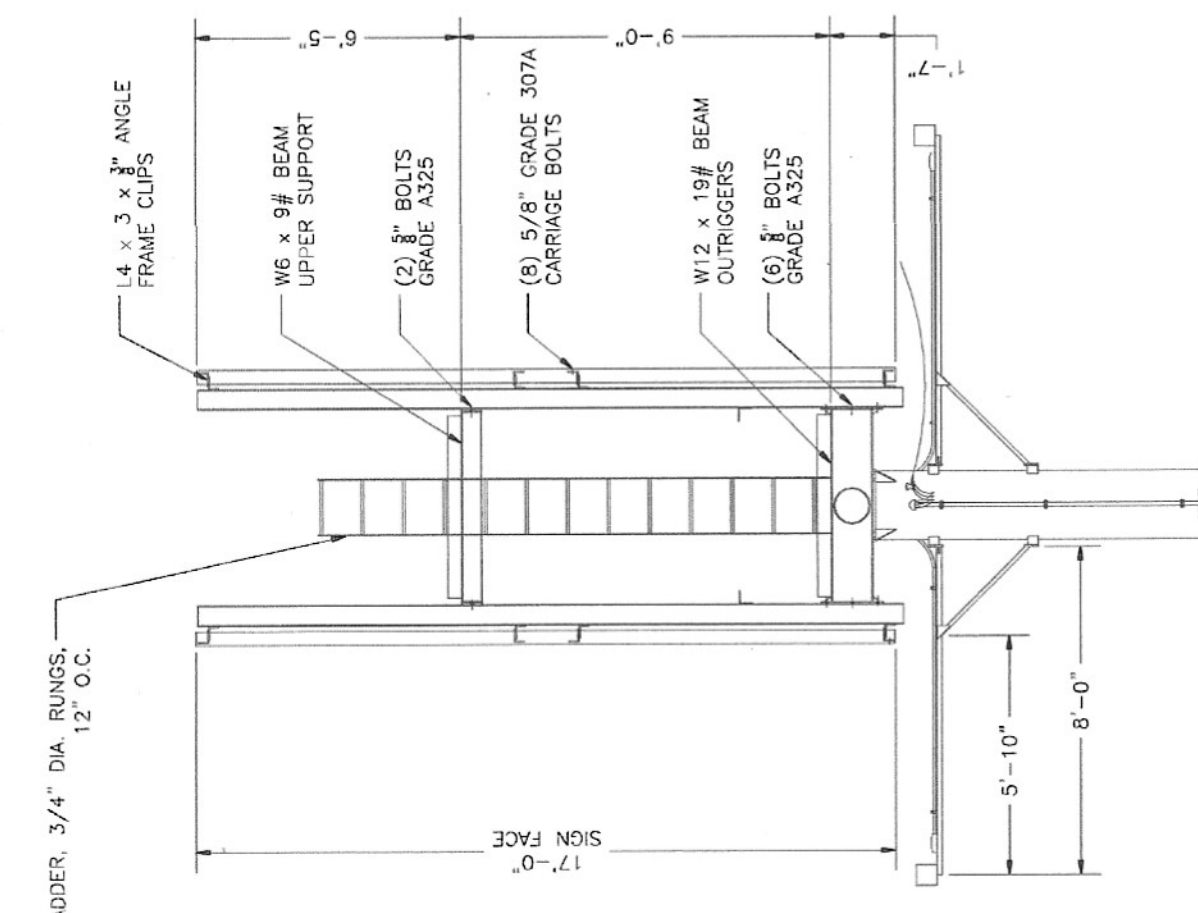
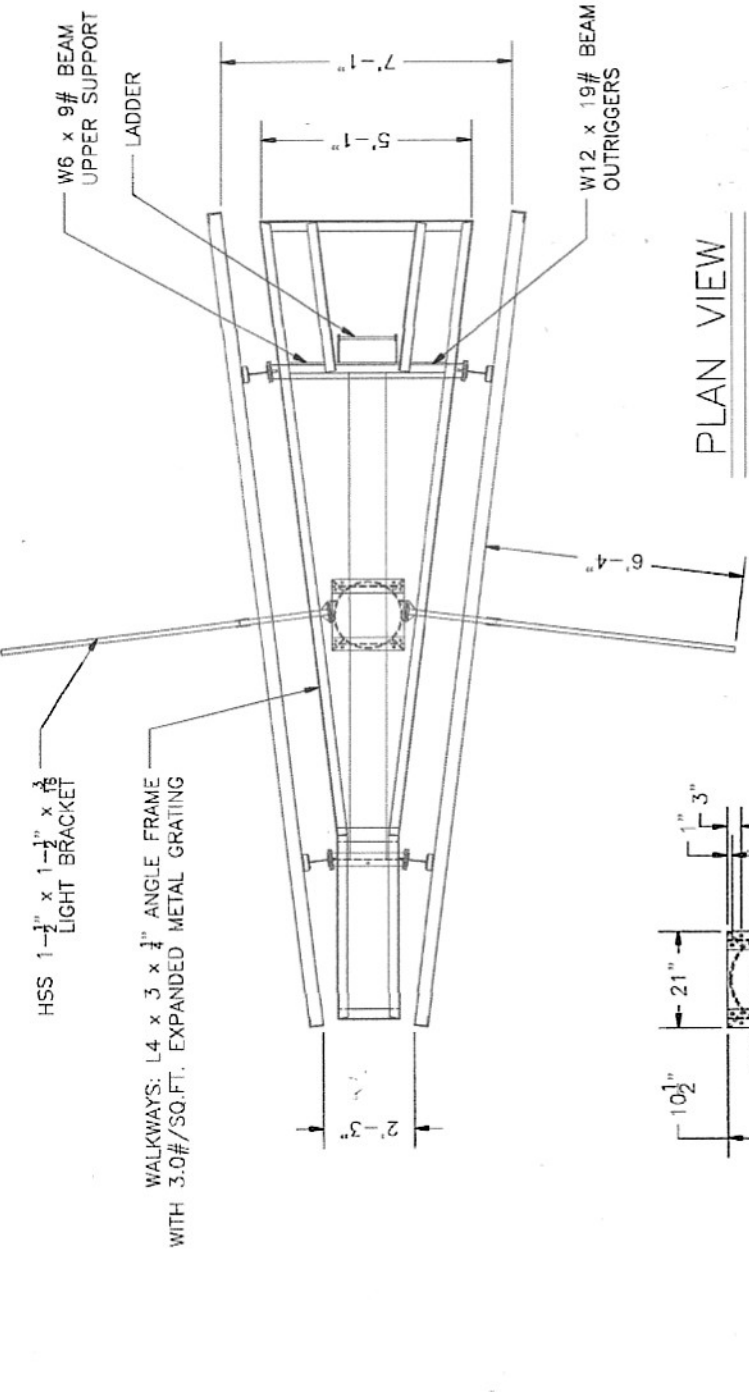


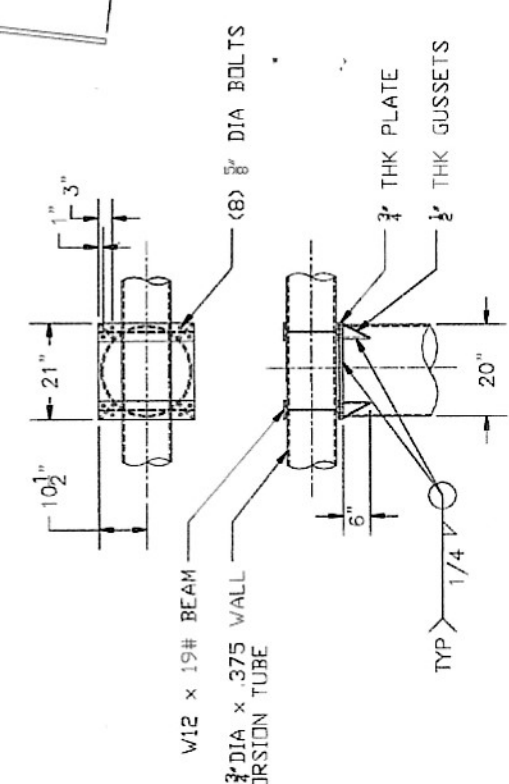
FRONT ELEVATION



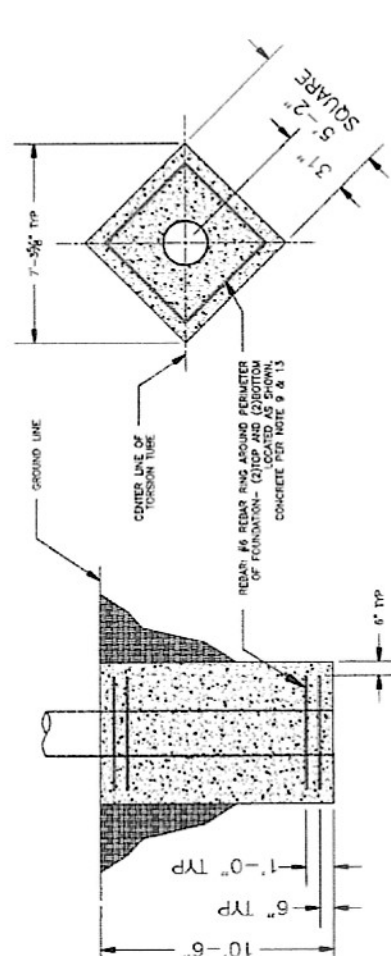
SIDE ELEVATION



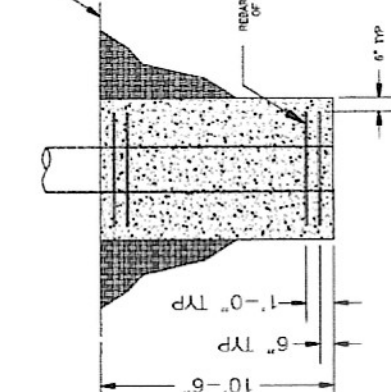
PLAN VIEW



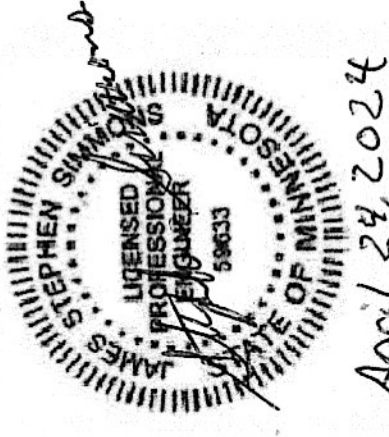
TORSION TUBE CONNECTION



FOUNDATION-PLAN VIEW



ALTERNATIVE BACKHOE FOOTING



SPECIFICATIONS		CODE DATA	
1.	STEEL ROLLED W BEAM SECTIONS: ASTM A992 ALL OTHER ROLLED SECTIONS: ASTM A36	2020 MINNESOTA STATE BLDG. CODE-2018 IBC	USE GROUP: U
2.	PIPE SECTIONS: A.P.I. 5L X 42		TYPE OF CONSTRUCTION: IB
3.	BOLTS: 8" MINIMUM DIAMETER-GRADE A325		ULTIMATE DESIGN SPEED: 120 MPH
4.	ASSUMED LATERAL SOIL PRESSURE 150 PSF/FT.		NOMINAL WIND SPEED: 95 MPH
5.	SOIL BEARING PRESSURE ASSUMED 1500 LBS./S.F. PER IBC TABLE 1806.2		WIND EXPOSURE: B
6.	DESIGNED WIND LOAD 24.44 P.S.F. THE DESIGNED WIND LOAD HAS BEEN FOUND TO EXCEED THE SEISMIC LOADING OF EARTH QUAKES.		RISK CATEGORY: 32 FEET
7.	DEAD LOAD: TOTAL SIGN WEIGHT 9000#		SPECIAL INSPECTIONS: REQUIRED
8.	LIVE LOAD: WALKWAYS - 60#/SQ. FT.		
9.	CONCRETE: 3000 PSI AT 28 DAYS DESIGN-2500 PSI AT 28 DAYS		
10.	ALL WELDS TO CONFORM TO AWS D1.1-98 SPECIFICATION		
11.	DESIGNED IN ACCORDANCE WITH 2020 MINNESOTA BUILDING CODE BASED ON 2018 INTERNATIONAL BUILDING CODE.		
12.	STEEL TO RECEIVE RUST INHIBITIVE PRIMER AND TOP COAT OF COLOR CHOICE		
13.	REINFORCING BAR: ASTM A-615 GRADE 60 (REBAR IS NOT REQUIRED IF FIBER REINFORCED CONCRETE IS USED.)		
14.	STRUCTURAL COMPONENTS ARE CAPABLE OF RESISTING HYDROSTATIC AND HYDRODYNAMIC LOADS AND THE EFFECTS OF BUOYANCY		
15.	ALL STRUCTURAL CONNECTIONS SHALL BE WELDED 3/8" ALL AROUND UNLESS OTHERWISE NOTED.		
		SUMMIT LOCATIONS	
		MONOPOLE 17' x 20'	
		WTR LLC 1604 COLLEGE DR. E. MARSHALL, MN 56258	
		J. STEPHEN SIMMONS P.E. #59633 304 FUDGE AVE EATON, OH 45320 PHONE: 937-733-9643 EMAIL: jstephen.simmons@gmail.com	
		DATE: 06/10/2020	APPROVED BY: JSS
		SCALE: NONE	SHEET: 1 OF 1

PANEL SCHEDULE

#	DESCRIPTION	CB AMPS	KW	NOTES
1	OUTDOOR LIGHT	20	0.10	1-100W LED FIXTURES
2	OUTDOOR LIGHT	20	0.10	1-100W LED FIXTURES

PANEL:
60 A.-120/240 VAC-SINGLE PH. 3W
2 CIRCUIT-3R ENCLOSURE
CUTLER-HAMMER CH4L125R OR EQ.

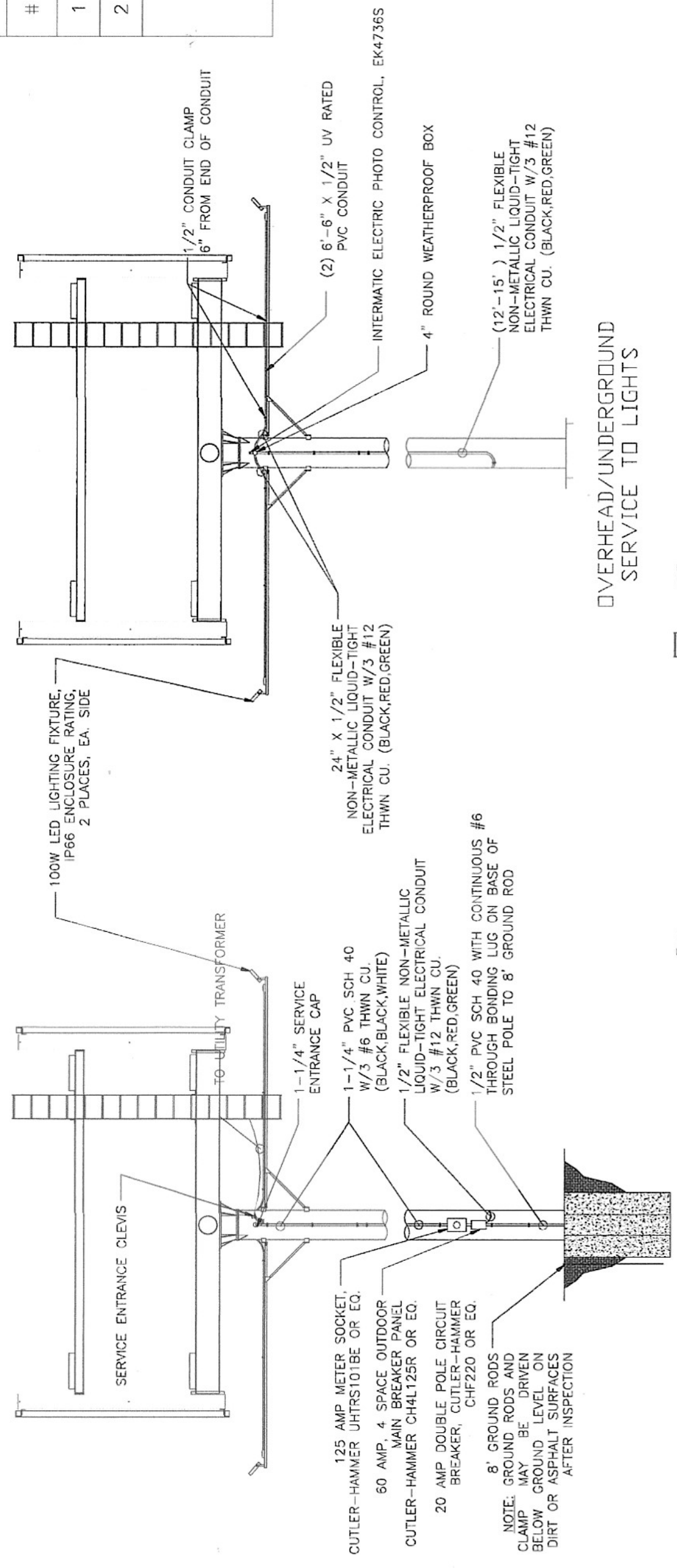
ELECTRICAL NOTES

1. ALL WORK SHALL MEET OR EXCEED ALL NEC STANDARDS
2. PROVIDE BONDING IN ALL APPLICABLE LOCATIONS PER NEC 250.104(C)

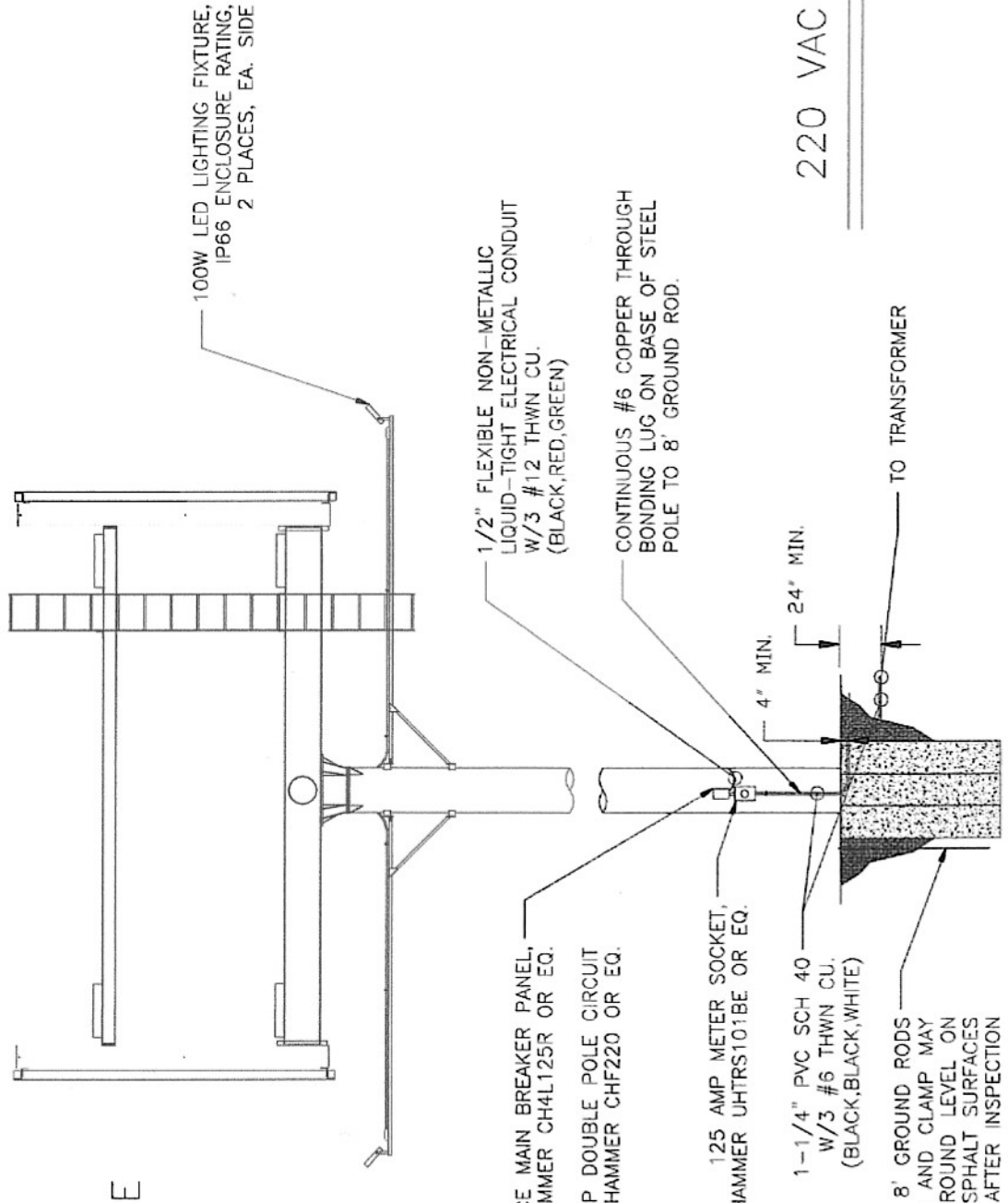
REV	NO	DESCRIPTION	DATE	BY	CHKD
A	1	ADDED BONDING TO BASE OF STEEL POLE	09/08/2021	JM	JM



April 24, 2024



OVERHEAD/UNDERGROUND SERVICE TO LIGHTS



UNDERGROUND SERVICE ENTRANCE

220 VAC POWER RISER DIAGRAM

FILE	SUMMIT LOCATIONS
LOCATION	MONOPOLE ELECTRIC SINGLE FACE
DESIGNER	WTR LLC 1604 COLLEGE DR. E. MARSHALL, MN 56258
DRAWN BY	JSS
CHECKED BY	JSS
DATE	09/08/2021
SCALE	NONE
SHEET	1 OF 1

J. STEPHEN SIMMONS P.E. #59633
304 FUDGE AVE.
EATON, OH 45320
PHONE: 937-735-9643
EMAIL: jstephen.simmons@gmail.com

NOTE: GROUND RODS AND CLAMP MAY BE DRIVEN BELOW GROUND LEVEL ON DIRT OR ASPHALT SURFACES AFTER INSPECTION