

**Model: Steelworx Hip Shelter w/ Vented Top, 16' x 20'**  
**Model # HP-1620-SW-VT-SS**

**Manufacturing Mission:** To provide all prefabricated components and installation instructions for a 16' wide by 20' long (measured from eave to eave) free standing bolt together, tubular steel constructed shelter kit.

**Design Criteria:** Structure shall be designed to meet site specific snow and wind load design criteria using most current applicable building codes. All structural members are ASTM A-500 U.S. grade B steel. Welded connection plates shall be ASTM A-36 hot rolled steel. All fabrication performed to latest AISC standards by AWS Certified welders. All framing connections are done using A325 grade bolts within concealed access openings from above and will later be concealed by the roofing. All roof framing shall be flush against the roof decking to eliminate the possibility of bird nesting.

**Tubular Steel Columns and Beams:** Standard column dimension shall be 5" x 5" x 3/16" tubular steel welded to 5/8" base plates for surface mounting. Main support beams are 7" x 5" x 3/16" and purlins are between 6" x 4" x 3/16" to 5" x 3" x 1/8" depending on location. Steel sizes are preliminary and may change due to ongoing review and final engineering.

**Roofing:** Pre-cut 24 Ga. steel Medallion-Lok standing seam panels with 16" panel width, 1 3/4" high ribs and Kynar 500 finish in a variety of colors with white underside. Standard roof slope is a 4/12 pitch with a eave height of 7'-6". Attached to structural framing with concealed fasteners. Matching 24 Ga. trim included.

**Frame Finish:** All steel framework will receive a corrosion protective TGIC Polyester powder coat, electro-statically applied and cured at 400°F. A large selection of standard colors are available.

**Foundation:** All columns need to be anchored to concrete footings (footing design provided separately). Columns can be surface mounted to footings with anchor bolts at or below finish slab elevation or they can be embedded directly into the footing without base plates upon request. Anchor bolts and bracing templates are included. Optional base plate covers are available at an additional cost.

**Hardware:** All structural hardware and roofing fasteners shall be provided.

**Warranty:** 10 years against manufacturer defects.

**Not Included:** Concrete work of any kind, unloading of product and installation.

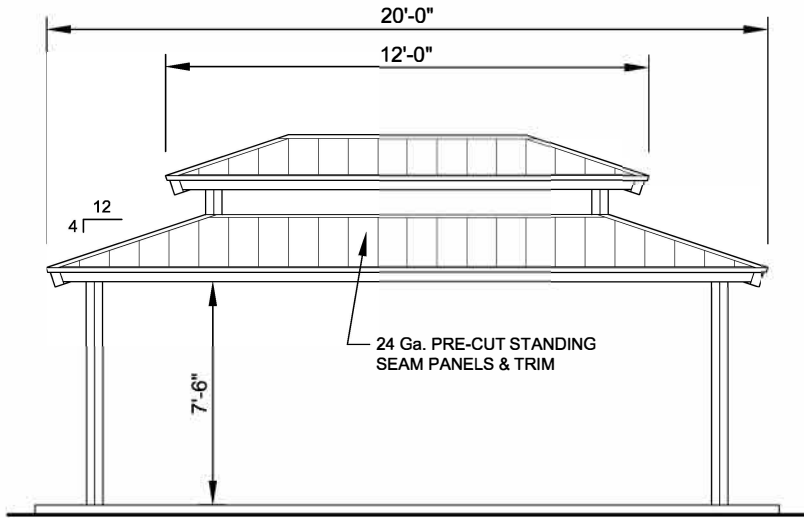


11800 East 9 Mile Road  
Warren, MI 48089  
Office: (586) 486-1088  
Fax: (586) 754-9130  
Toll Free: (800) 657-6118  
Email: info@coverworx.net  
www.CoverWorx.net

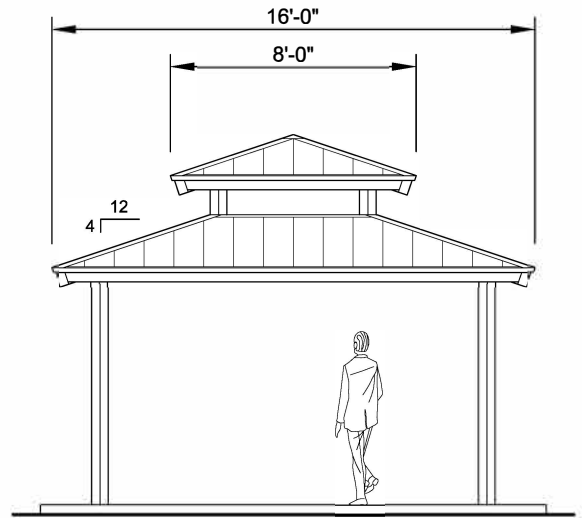
Steelworx Hip Shelter w/ Vented Top - 16' x 20'

Model: HP-1620-SW-VT-SS

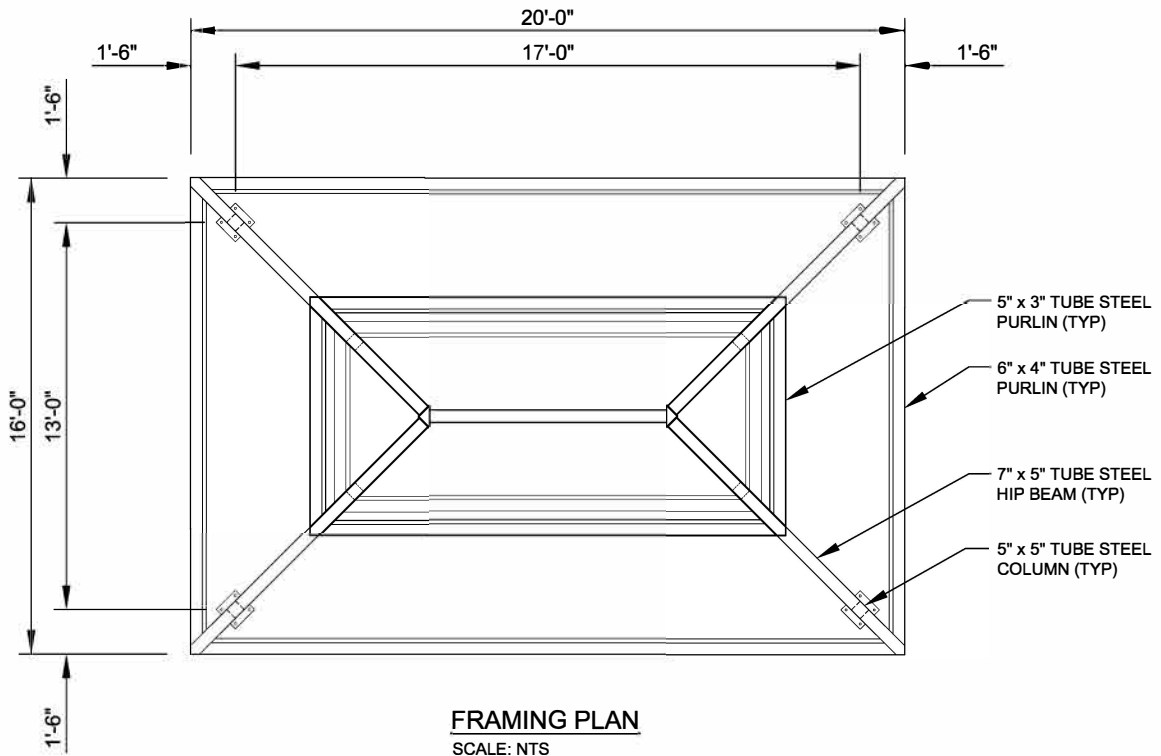
DESIGN SPECIFICATIONS



**SIDE ELEVATION**  
SCALE: NTS



**FRONT ELEVATION**  
SCALE: NTS



**FRAMING PLAN**  
SCALE: NTS



11800 East 9 Mile Road  
Warren, MI 48089  
Office: (586) 486-1088  
Fax: (586) 754-9130  
Toll Free: (800) 657-6118  
Email: info@coverworx.net  
www.CoverWorx.net

**Steelworx Hip Shelter w/ Vented Top - 16' x 20'**

**Model: HP-1620-SW-VT-SS**

**DESIGN SPECIFICATIONS**