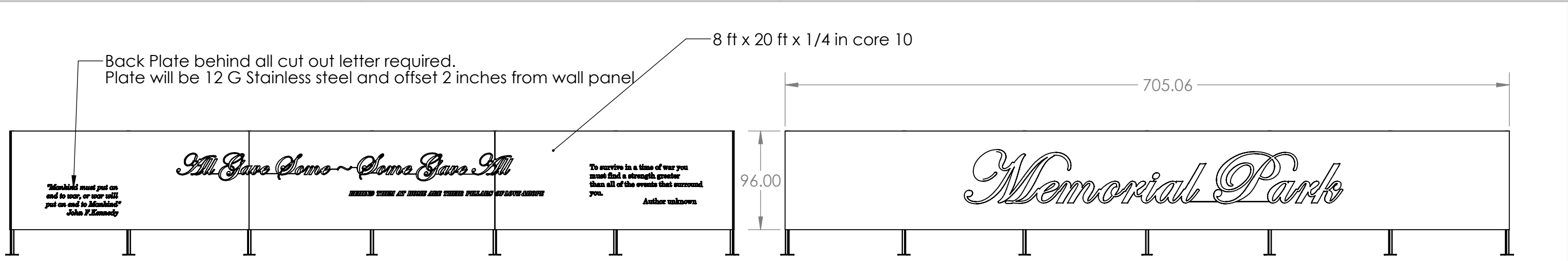


4

3

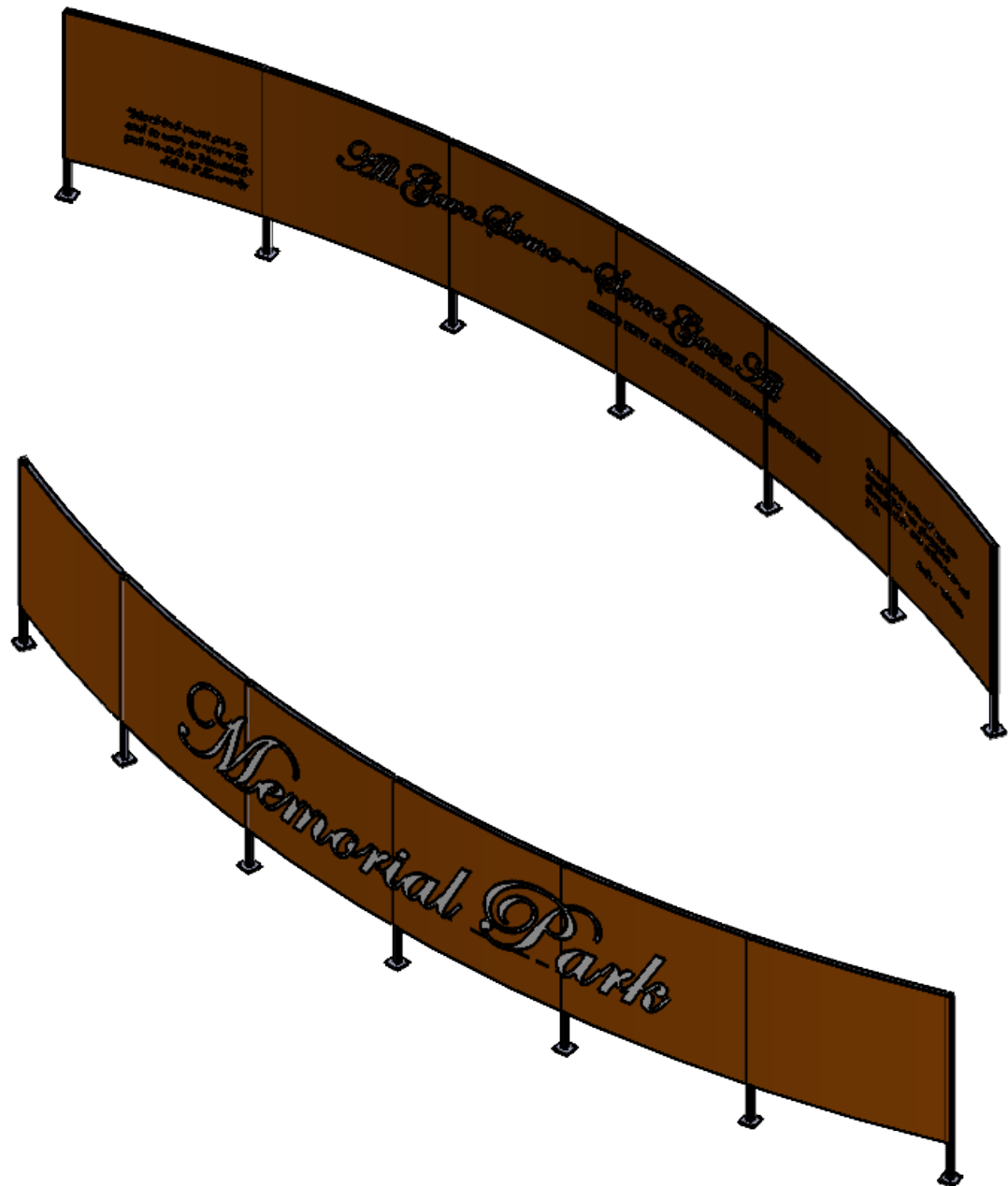
2

1



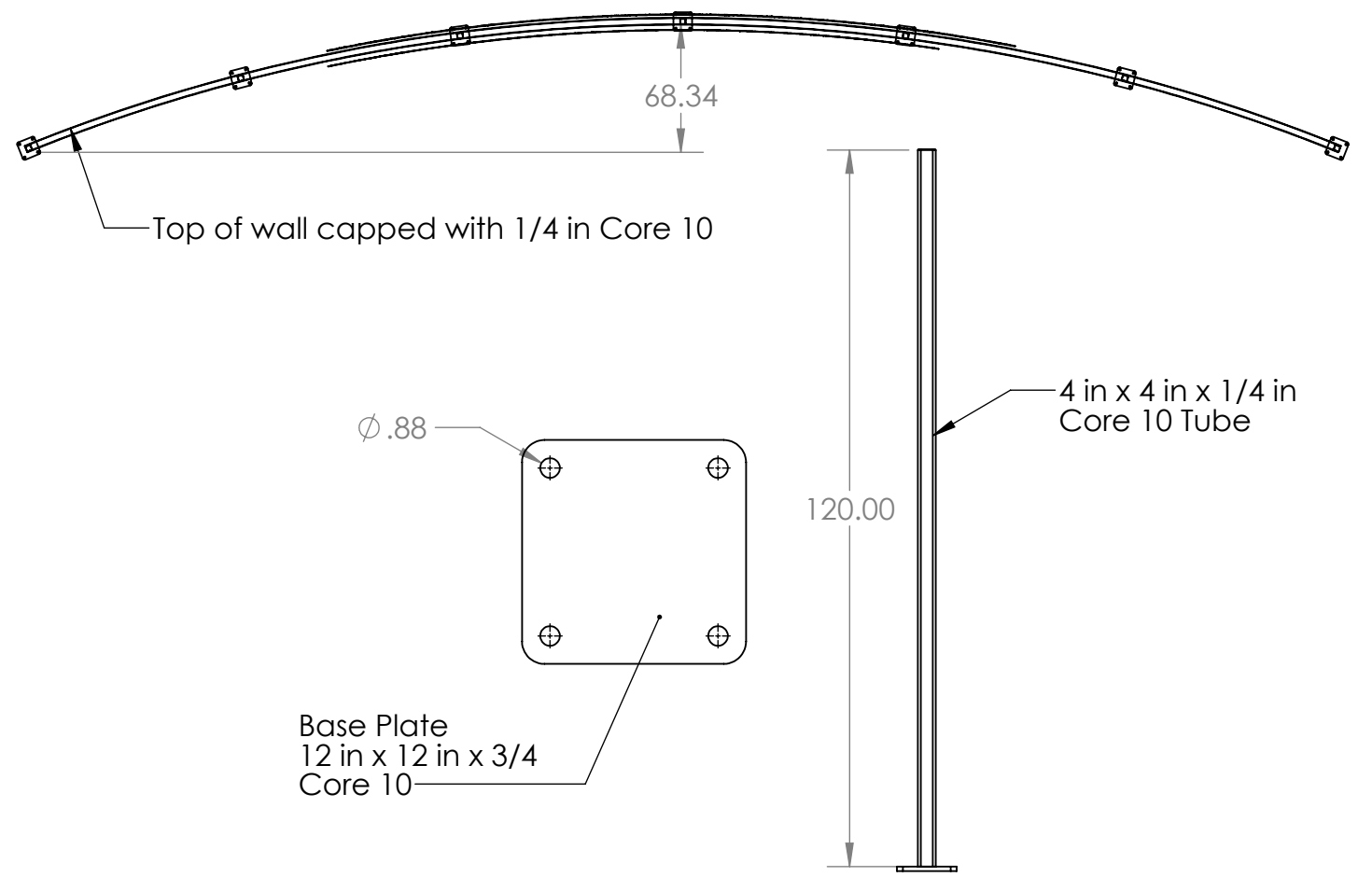
B

B



A

A



PROPRIETARY AND CONFIDENTIAL
THE INFORMATION CONTAINED IN THIS
DRAWING IS THE SOLE PROPERTY OF
Bend Rite Fabrication. ANY
REPRODUCTION IN PART OR AS A WHOLE
WITHOUT THE WRITTEN PERMISSION OF
BEND RITE FABRICATION IS
PROHIBITED.

		UNLESS OTHERWISE SPECIFIED:		NAME	DATE
		DIMENSIONS ARE IN INCHES TOLERANCES: .0625 BEND ± .5 DEG		DRAWN Ortmann	
		INTERPRET GEOMETRIC TOLERANCING PER:		CHECKED	
		MATERIAL 1/4 in Core 10		ENG APPR.	
		FINISH		MFG APPR.	
NEXT ASSY	USED ON			Q.A.	
APPLICATION		DO NOT SCALE DRAWING		COMMENTS:	

Bend Rite Fabrication
Marshall, MN

TITLE:
**Memorial Park
Veterans Wall**

SIZE B	DWG. NO. Page 1	REV
SCALE: 1:96 WEIGHT:		SHEET 1 OF 3

4

3

2

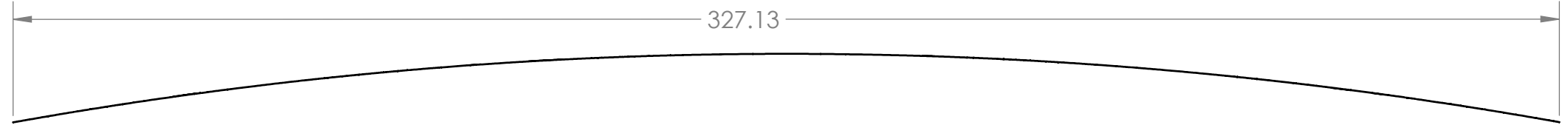
1

4

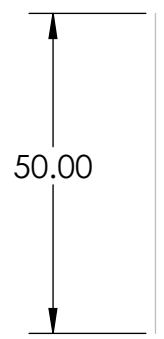
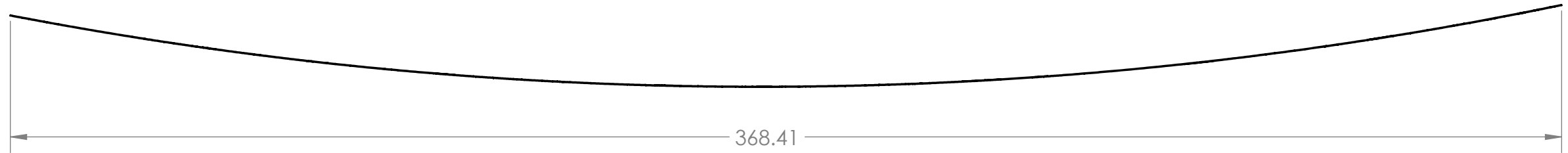
3

2

1



All Gave Some ~ Some Gave All



Memorial Park

1/4 in Brushed Stainless Steel Letters Offset From wall 1 inches.

PROPRIETARY AND CONFIDENTIAL
 THE INFORMATION CONTAINED IN THIS DRAWING IS THE SOLE PROPERTY OF Bend Rite Fabrication. ANY REPRODUCTION IN PART OR AS A WHOLE WITHOUT THE WRITTEN PERMISSION OF BEND RITE FABRICATION IS PROHIBITED.

		UNLESS OTHERWISE SPECIFIED:		NAME	DATE
		DIMENSIONS ARE IN INCHES TOLERANCES: .0625 BEND ± .5 DEG		DRAWN Ortmann	
		INTERPRET GEOMETRIC TOLERANCING PER:		CHECKED	
		MATERIAL		ENG APPR.	
		FINISH		MFG APPR.	
NEXT ASSY	USED ON			Q.A.	
APPLICATION		DO NOT SCALE DRAWING		COMMENTS:	

Bend Rite Fabrication
Marshall, MN

TITLE:
Memorial Park Veterans Wall

SIZE **B** DWG. NO. **Page 2** REV

SCALE: 1:96 WEIGHT: SHEET 2 OF 3

4

3

2

1

4

3

2

1

B

B

80.00

36.00

"Mankind must put an end to war, or war will put an end to Mankind"
John F. Kennedy

116.00

40.00

To survive in a time of war you must find a strength greater than all of the events that surround you.

Author unknown

186.00

6.50

BEHIND THEM AT HOME ARE THEIR PILLARS OF LOVE & HOPE

A

A

PROPRIETARY AND CONFIDENTIAL
 THE INFORMATION CONTAINED IN THIS DRAWING IS THE SOLE PROPERTY OF Bend Rite Fabrication. ANY REPRODUCTION IN PART OR AS A WHOLE WITHOUT THE WRITTEN PERMISSION OF BEND RITE FABRICATION IS PROHIBITED.

		UNLESS OTHERWISE SPECIFIED:	NAME	DATE
		DIMENSIONS ARE IN INCHES TOLERANCES: .0625 BEND ± .5 DEG	DRAWN Ortmann	
		INTERPRET GEOMETRIC TOLERANCING PER:	CHECKED	
		MATERIAL	ENG APPR.	
NEXT ASSY	USED ON	FINISH	MFG APPR.	
APPLICATION		DO NOT SCALE DRAWING	Q.A.	
			COMMENTS:	

Bend Rite Fabrication Marshall, MN		
TITLE: Memorial Park Veterans Wall		
SIZE B	DWG. NO. Page 3	REV
SCALE: 1:96 WEIGHT:		SHEET 3 OF 3

4

3

2

1