

P1



LED internally lighted sign cabinet with pole cover SCALE: 3/16" = 1'



wellborn sign co.

700 E. 10TH  
AMARILLO, TX. 79101

OFFICE (806) 331-3563  
FAX (806) 331-3569

WWW.WSIGNCO.COM



This artwork is the sole property of Wellborn Sign Inc. Any copy or reproduction of this artwork is strictly prohibited

Manor, Texas



wellborn sign co.

700 E. 10TH  
AMARILLO, TX. 79101

OFFICE: (806) 331-3563  
FAX: (806) 331-3569

WWW.WSIGNCO.COM



This artwork is the sole property of Wellborn Sign Inc. Any copy or reproduction of this artwork is strictly prohibited

Manor, Texas



wellborn sign co.

700 E. 10TH  
AMARILLO, TX 79101

OFFICE:(806)331-3563  
FAX:(806)331-3569

[WWW.WSIGNCO.COM](http://WWW.WSIGNCO.COM)



This artwork is the sole property of Wellborn Sign Inc. Any copy or reproduction of this artwork is strictly prohibited

Manor, Texas

ASEO



wellborn sign co.

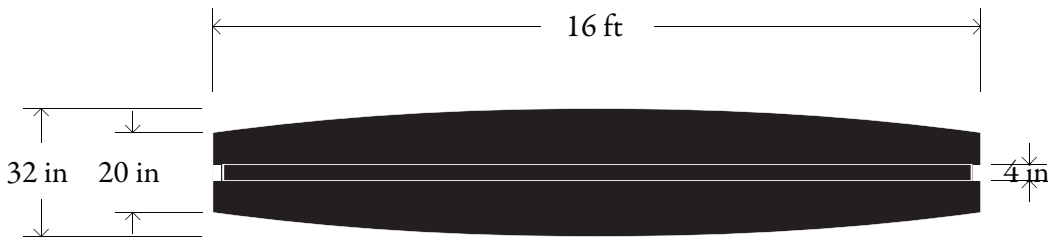
700 E. 10TH  
AMARILLO, TX. 79101

OFFICE:(806)331-3563  
FAX:(806)331-3569

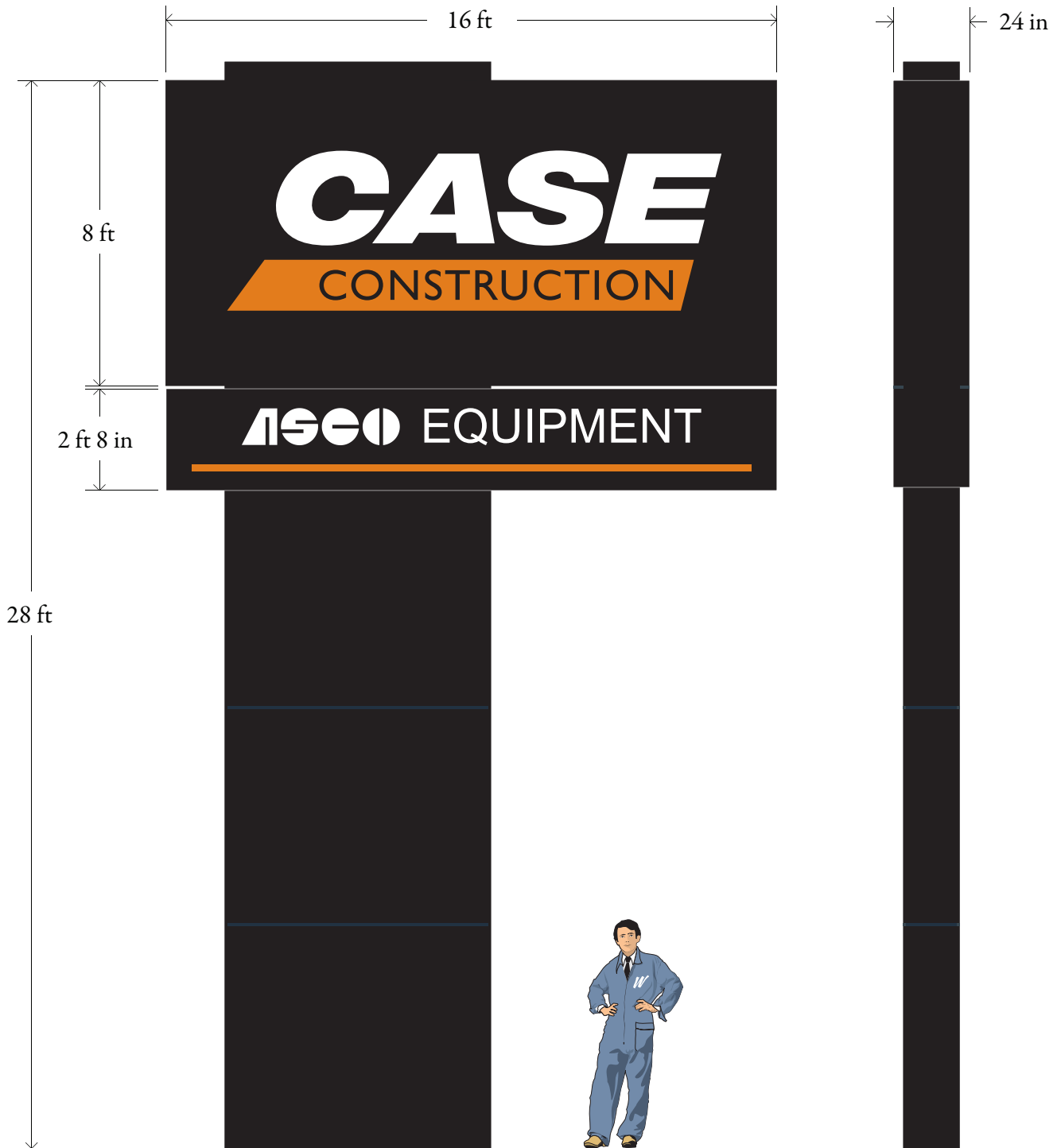
WWW.WSIGNCO.COM



This artwork is the sole property of Wellborn Sign Inc. Any copy or reproduction of this artwork is strictly prohibited



internally lighted sign cabinet with pole cover



SCALE: 1/4" =



wellborn sign co.

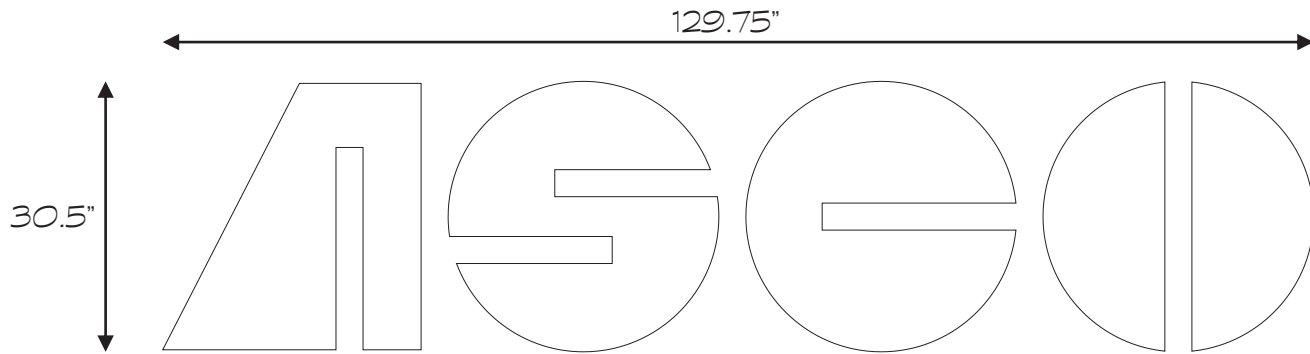
700 E. 10TH  
AMARILLO, TX. 79101

OFFICE: (806) 331-3563  
FAX: (806) 331-3569

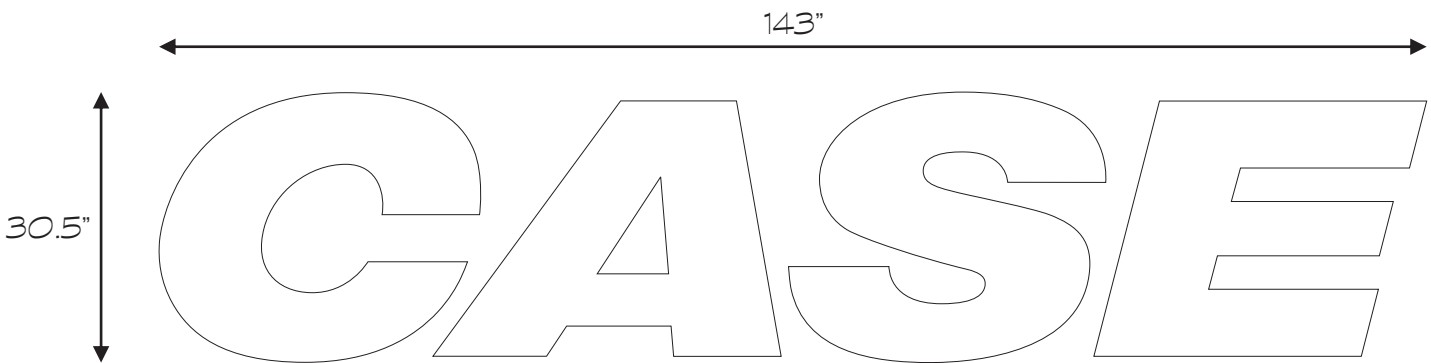
WWW.WSIGNCO.COM



This artwork is the sole property of Wellborn Sign Inc. Any copy or reproduction of this artwork is strictly prohibited



channel letters LED lighted with white acrylic faces, black jewel trim & returns. 27.48 sq.ft total area  
 (2) - B1, B2



existing channel letters with LEDs.  
 (2) - A1, A2  
 30.26 sq.ft total area



LED lighted panel cabinet and face  
 (2) - A1, A2  
 16.89 sq.ft. total area



wellborn sign co.

700 E. 10TH  
 AMARILLO, TX 79101

OFFICE: (806) 331-3563  
 FAX: (806) 331-3569

WWW.WSIGNCO.COM



This artwork is the sole property of Wellborn Sign Inc. Any copy or reproduction of this artwork is strictly prohibited



George Bush St

12801 1/2

P1

A1

A2

B1

B2

ASCO  
Equipment Inc.

George Bush St

12805

12811

13004

Armstrong Ave

Armstrong Ave

Armstrong Ave