



PROPOSAL

City of Madison AL

QUOTE NUMBER: 00905233

THE ULTIMATE AIRFLOW SOLUTION

For more than 20 years, Big Ass Fans has set the standard for safer, more comfortable work conditions with airflow products purpose-built to excel in demanding environments. Our fans provide year-round relief from extreme temperatures, making people feel up to 10 °F (6 °C) cooler in summer and effectively circulating heated air in winter.

Engineered for efficient, maintenance-free operation and backed by unbeatable warranties, Big Ass fans deliver powerful airflow that keeps workers refreshed and productive. With a custom solution from Big Ass Fans, your business will reap the rewards of comfort and cost-savings for years.

Contact: **Matt Ransdell**

Email: matt.ransdell@bigassfans.com

Phone: **(859) 899-5340**

(877) 244-3267 | BIGASSFANS.COM

An ISO 9001:2015 compliant company | ©2020 Delta T, LLC dba Big Ass Fans. All rights reserved.



**EXCEPTIONALLY
ENGINEERED**

00905233

Quote Information

Quote Number	00905233	Created Date	8/10/2023
		Expiration Date	
Bill To Name	City of Madison AL	Ship To Name	City of Madison AL
Bill To:	100 Hughes Road	Ship To:	500 Trash Panda Way
	Madison, AL 35758		Madison, AL 35758
	US		US
SFDC ID	11019209		

General Information

Sales Rep	Matt Ransdell	Contact Name	Alicia Walden
E-mail	matt.ransdell@bigassfans.com	Contact Phone	256-772-5630
Phone	(859) 899-5340		
Fax	859-233-0139		

Comments

Sales Tax

Sales Tax is strictly an estimate and may change based on the shipping address of the order; sales tax is also subject to the tax provisions of the "STANDARD TERMS."

Code	Product	Description	Qty	Sales Price	Total Price
F-EV1-5001	Evaporative Cooler, Cool-Space		1	\$4,499.00	\$4,499.00
	500, 50", 110V/1Ph				

Subtotal: \$4,499.00
Tax: \$ 0.00
Estimated Shipping: \$ 250.00
Grand Total: \$4,749.00



STANDARD TERMS - NET 30 DAYS UPON APPROVAL

Shipping and handling is an estimate.

Our proposals include an estimate of applicable itemized sales taxes which Big Ass Fans is legally obligated to collect and remit. The final, actual amount of such taxes would only be known at the time the customer is actually invoiced for the order.

All products are subject to Big Ass Fans return policy. For full details visit bigassfans.com/returns

The Buyer must insure that product specifications are consistent with actual field installation requirements. Big Ass Fans product recommendations are based on product specifications as transmitted to the company. As such, Big Ass Fans is not responsible for inaccuracies between the communicated product specifications and actual field installation requirements. The Buyer of the specified products assumes responsibility for the cost of returning or exchanging specified product where specified product does not meet field requirements.

Any variations to product types or quantities (or omissions of existing light fixtures during the survey process – and now not represented in project) will be considered "add-on" and an additional material requirement. These add-on materials will be priced separately.

Big Ass Fans customers who have been approved for term credit and are invoiced for their orders may pay their invoice through one of our customary term credit payment methods of: Check, money order, wire transfer or ACH payment. Any such term credit approved customers who subsequently elect to pay their term invoice by credit card will also be charged a convenience fee for doing so. The exact amount of the convenience fee will be communicated to the customer before the transaction is processed and the card is charged. The Fee is calculated by multiplying the amount sought to be charged to the credit card by .03. (Fee = .03 x Total Amount Paid). If the customer elects not to pay the convenience fee, the customer may use one of the other payment channels alluded to above, free of charge.

Customer is responsible for paying all applicable state and local transactional taxes resulting from the sale. As a manufacturer of tangible personal property registered to do business in all 50 US States, Big Ass Fans is obligated to collect and remit applicable sales taxes and the transaction will be treated and reported as the sale of tangible personal property sold by a manufacturer.

To the extent that the Buyer takes any contrary position with any taxing authority subsequent to this transaction which results in additional and/or different transaction-based taxes for which Big Ass Fans is responsible, Big Ass Fans reserves the right to apply any sales tax collected to any such additional taxes due and/or invoice the Buyer for any other additional amounts due. Additionally, to the extent that applicable transactional taxes were not collected at the time of sale in reliance upon an Exemption Certificate or other exemption later found to be inapplicable by Big Ass Fans, in the exercise of its sole and absolute discretion, Big Ass Fans will invoice Buyer for any applicable sales or other transactional taxes.

Buyer covenants and agrees to promptly pay any such amounts to Big Ass Fans on the same terms and conditions as any other amounts owed to Big Ass Fans on the applicable Order.

The transaction and contract that is the subject of this Proposal shall be governed by the internal laws of the Commonwealth of Kentucky. Any controversy or claim arising out of or relating to this contract, or the breach thereof, shall be settled by arbitration administered by the American Arbitration Association in accordance with its Commercial Arbitration Rules, and judgment on the award rendered by the arbitrator(s) may be entered in any court having jurisdiction thereof.

Upon sales agreement being signed and submitted, order shipment date changes may not be submitted or changed by the purchasing party within 10 business days of scheduled shipment. Scheduled shipment dates may not be changed within the final 10 business days of a given month. Should a customer require that a shipment date be changed within 10 business days of scheduled shipment or within the final 10 business days of a given month, Big Ass Fans reserves the right to decline the customer's request. Secondly, Big Ass Fans reserves the right to charge a monetary fee for any shipment date change request that falls within the representative windows described above

Evaporative Cooler (Cool Space) orders are not able to be canceled outside of the same business day in which purchase has been confirmed. Customer assumes responsibility for all necessary reconsignment fees related to shipping &/or freight charges as a result of canceled orders completed outside of the hours of 8:00AM to 5:00PM EST on the same business day purchase occurs.

This Proposal and its Associated Terms may not be modified or added to, except by a subsequent writing executed by Big Ass Fans.

PURCHASING OR USING ANY OF OUR PRODUCTS & SERVICES INDICATES YOU AGREE WITH OUR [TERMS OF SERVICE](#) AND [PRIVACY POLICY](#). (FOR FULL WARRANTY, TERMS, AND CONDITIONS FOR ALL BIG ASS PRODUCTS, VISIT BIGASSFANS.COM.)

Notwithstanding any provision to the contrary, neither party shall be liable to the other party (or any third party) for indirect, consequential, special, incidental, or punitive damages arising from the sale of the products or this agreement. In addition, seller's total aggregate liability under this agreement shall never exceed the value of the purchase order or the previous twelve (12) months of sales hereunder, whichever is less. This provision shall survive the expiration of termination of this agreement.

INTELLECTUAL PROPERTY

Big Ass Fans retains exclusive ownership of all intellectual property rights embodied by and/or associated with the products sold.

CUSTOMER CONTACT INFORMATION

PLEASE CONFIRM AND COMPLETE ALL BILLING AND SHIPPING INFORMATION FOR YOUR ORDER.

ACCOUNTS PAYABLE (BILLING) ADDRESS:

100 Hughes Road, Madison, AL, 35758, US

IS THE BILLING ADDRESS ABOVE CORRECT? Y / N

If this address is incorrect, please provide correct information below:

Company Name: _____

Contact Name: _____

Billing Address: _____

City, State, Zip: _____

Email: _____

Phone: _____ DUNS #: _____

SHIPPING ADDRESS:

500 Trash Panda Way, Madison, AL, 35758, US

IS THE SHIPPING ADDRESS ABOVE CORRECT? Y / N

If this address is incorrect, please provide correct information below:

Company Name: _____

Contact Name: _____

Shipping Address: _____

City, State, Zip: _____

Email: _____

Phone: _____

If your organization requires a purchase order, please provide the PO number here: _____
Please provide any available PO documentation to your BAF sales representative.

If this purchase is tax exempt (e.g., 501(c)(3), 509(a), Section 527, registered resellers), you must provide a valid tax exemption certificate to your BAF sales representative.

CLIENT

Signature

Printed Name Date

BIG ASS FANS

Signature

Printed Name Date



COOL-SPACE® 500

When you need maximum cooling coverage, trust the powerful performance of Cool-Space 500. Durably engineered with a portable design, quiet and efficient motor, and advanced controls for convenient, hands-free use, Cool-Space 500 delivers lasting comfort to large spaces both indoors and out. Backed by the industry's best warranty, it's the ultimate solution in evaporative cooling.



KEY FEATURES

- ▶ Quickly cool indoor and outdoor spaces by up to 33 °F (18 °C)
- ▶ Ideal for large warehouses, service bays, and stadiums
- ▶ 8-inch (20-centimeter) resin-treated cooling media
- ▶ 50-inch (127-centimeter) fan diameter
- ▶ 64-gallon (242-liter) reservoir lasts up to 10 hours without hose connection
- ▶ Onboard LED control panel with occupancy sensor

COVERAGE AREA

UP TO 6,500 SQUARE FEET
(600 SQUARE METERS)

AIRFLOW

UP TO 24,000 CFM

CONTROL

VARIABLE SPEED

VOLTAGE

**110 VAC
OR
230 VAC**



BIG ASS FANS

**EXCEPTIONALLY
ENGINEERED**

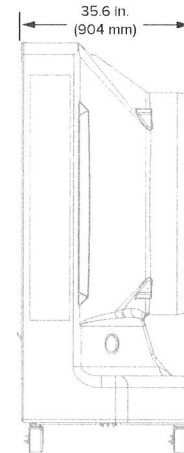
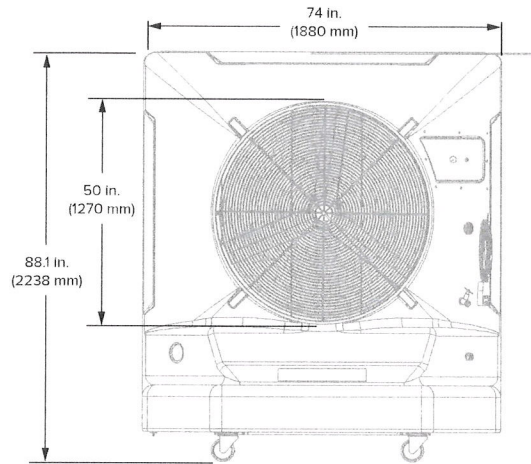
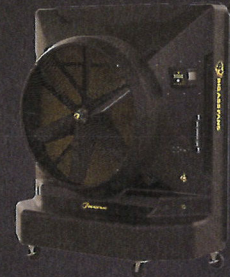
DISCOVER MORE ABOUT COOL-SPACE

Learn more at bigassfans.com/evaporative-coolers
or call **877.BIG.FANS** for a free custom quote.

TECHNICAL SPECIFICATIONS

COOL-SPACE® 500

DELIVER COOLER CONDITIONS AT A MOMENT'S NOTICE



Technical Specifications

Model	Ordering Information	Weight	Water Capacity	Inlet Water Supply Pressure	Input power and required breaker	Environment ¹	Amperage ²	Airflow and Coverage	Sound Level ³	Operating Temperature
Cool-Space 500	F-EV1-5001 F-EV1-5002	370 lb (167.8 kg)	64 gal (242 L)	120 PSI maximum	120 VAC, 60 Hz, 1Φ, 25 A 220/230 VAC, 50/60 Hz, 1Φ, 15 A	Well-ventilated Indoor or outdoor space	16.5 A 8.6 A	16,500–24,000 cfm 6,500 sq ft	60 dBA	0 to 104 °F (-18 to 40 °C)

Construction

Housing	Motor	Controls	Power Supply	Water Supply	Cooling Media	Maintenance
UV-resistant roto-molded polyethylene housing Four locking swivel casters	Variable speed, high-efficiency, totally enclosed 1.5 hp (1.1 kW)	Remote control Onboard control panel Occupancy sensor	10 ft (3 m) power cord plugs into standard electrical outlet Cord wrap for easy storage	Accepts standard garden hose or portable supply tank Water level regulated by float valve Low-water shutoff for pump longevity	Made from 8 in. (203 mm) thick cross-corrugated formulated cellulose Treated with thermosetting resin for strength and prevention of algae	Accessible reservoir cap for convenient water treatment Drain plug and flush valve for water removal



Control Options





Remote Control



Onboard Control Panel

Onboard Control Indicators

-  Power Indicator
-  Low Water Indicator
-  Manual Fan Control
-  Occupancy Sensor
-  Manual Pump Control
-  Timer (15 Minutes)

¹ Not suitable for salt air environments.

² Maximum amperage includes both the fan and pump ratings.

³ Fans are sound tested in a laboratory environment. Actual results in field conditions may vary due to sound reflecting surfaces and environmental conditions.

⁴ Lead times may vary.

See full warranty for coverage information.



USA
BIGASSFANS.COM
877-244-3267

CANADA
BIGASSFANS.COM
844-924-4277

AUSTRALIA
BIGASSFANS.COM/AU
1300 244 277

SINGAPORE
BIGASSFANS.COM/SG
65 6709 8500

MALAYSIA
BIGASSFANS.COM/SG
603 5565 0888