



SALES QUOTE

Sales Quote 36783
 Sales Quote Date: 7/25/2024
 Page: 1

Sold
 To: The City OF Madison Alabama
 Alicia Walden
 100 Hughes Road
 Madison, AL 35758
 United States

Ship
 To: The City OF Madison Alabama
 Alicia Walden
 100 Hughes Road
 Madison, AL 35758
 United States

CSR	MDAHSHAN	Customer ID	C365456
Ship Via	FEDEX - GROUND SERVICE	Cust Phone	2567725630
P.O. Number		Cust Fax	
P.O. Date	7/25/2024	Cust Email	alicia.walden@madisonal.gov

Item No.	Description	Shipment Date	Quantity	Unit Price	Total Price
26347BLU	DELUXE PUBLIC WORK STAND,BLUE,PC	7/25/2024	2	\$990.000	\$1,980.00
33682BLU	WHEEL CHOCK,UNIVERSAL,PC BLU	7/25/2024	2	\$171.000	\$342.00
26268	KIT, SECURITY ANCHOR INSTALL TOOLS	7/25/2024	1		
26269	KIT,PUMP INSTALL,BIKE FIX	7/25/2024	1	\$15.600	\$15.60
QUOTED FREIGHT	QUOTED FREIGHT 07/25/24	7/25/2024	1	\$363.000	\$363.00

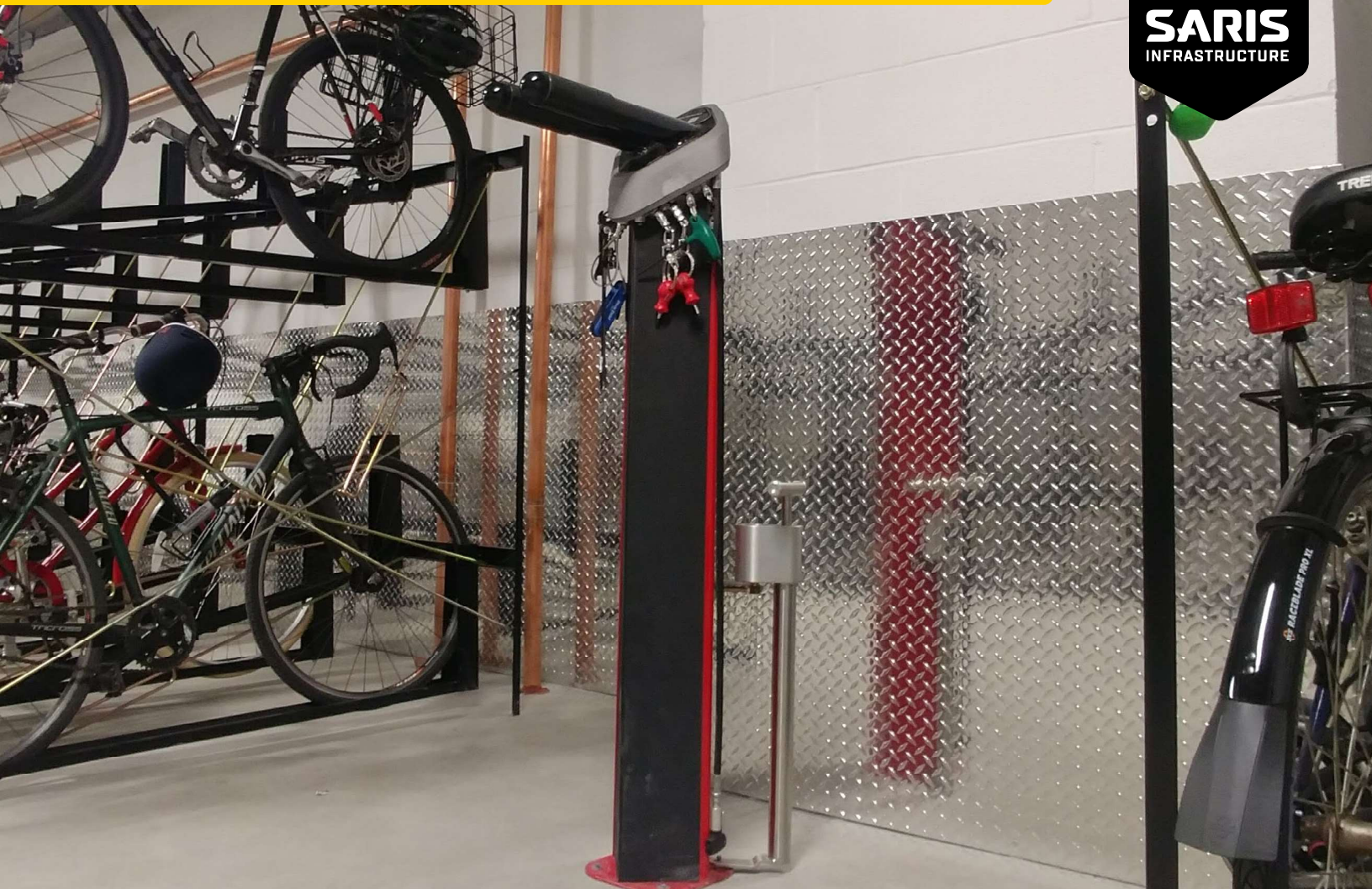
Quote valid for 30 days from date issued.

Visit us on-line at: www.saris.com

Amount Subject to Sales Tax	Amount Exempt from Sales Tax	Subtotal:	\$2,700.60
0	\$2,700.60	Invoice Discount:	0.00
		Tax:	0.00
		Total (USD):	\$2,700.60

Unless otherwise noted, quote does not include additional charges such as lift-gate, construction site, residential, inside delivery, or delivery appointment, etc.

DELUXE PUBLIC WORK STAND



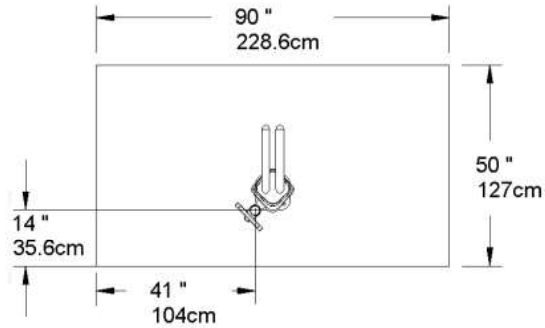
The Deluxe Public Work Stand includes all the tools necessary to perform basic bike repairs and maintenance at the park, on the trail, or in an apartment complex. Nine tools are securely attached via retractable cables to prevent tangling and provide cyclists with an easy, accessible means to keep their bikes rolling.

Product Specifications

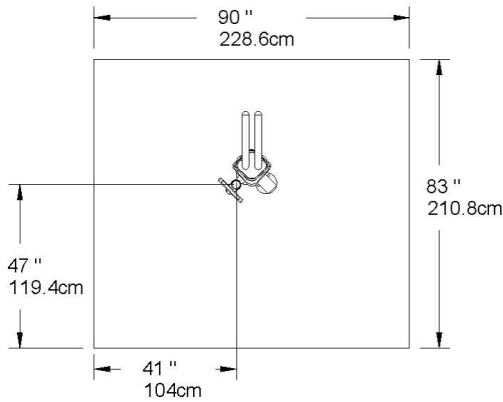
- Tools securely attach by retractable braided stainless steel cables
- Large surface area for custom branding/signage
- Designed to directly interface with Saris Infrastructure's High Security Pump and Wheel Chock attachments (sold separately)
- Long hose provides wide range of motion without touching the ground
- Impact- and UV-resistant front plate won't show wear and tear from pedal strikes
- ADA compliant design

Deluxe Public Work Stand

Recommended Setbacks



Recommended setbacks with integrated wheel chock

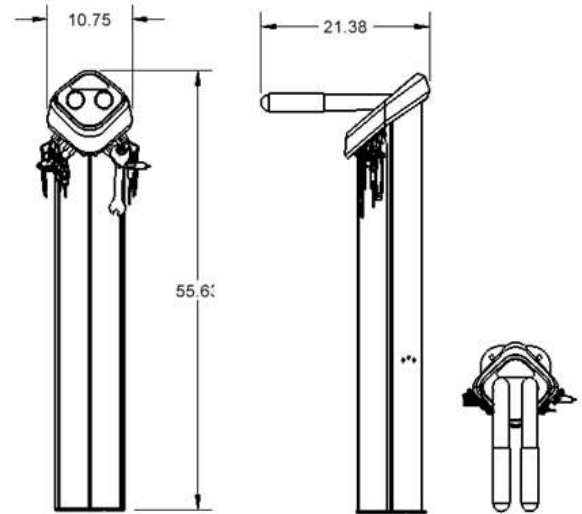


Included Tools

- Philips & standard screwdrivers
- Steel core tire levers (2)
- Headset/pedal wrench
- 8/10mm cone wrench
- 9/11mm cone wrench
- Torx T-25
- Hex key set



DPWS Line Drawing Dimensions



Stainless-steel aircraft cable



Thick-walled DOM tubing, Laser cut plate



Stainless-steel or powder coat finish



Installation hardware included



2 year warranty



Made in the USA

Dimensions

Model #	Finish with additional color options	Type of Mount	Weight	Length	Width	Height
26347BLK	Black Powder Coat	Flange	84 lbs.	10"	10"	55"
26347RED	Red Powder Coat	Flange	84 lbs.	10"	10"	55"
26347S	Stainless Steel	Flange	84 lbs.	10"	10"	55"
26347ORG	Orange Powder Coat	Flange	84 lbs.	10"	10"	55"
26347BLU	Blue Powder Coat	Flange	84 lbs.	10"	10"	55"
26347DGREN	Green Powder Coat	Flange	84 lbs.	10"	10"	55"
26347YLW	Yellow Powder Coat	Flange	84 lbs.	10"	10"	55"

Design files and additional product resources available online at sarisinfrastructure.com

WHEEL CHOCK



SARIS
INFRASTRUCTURE



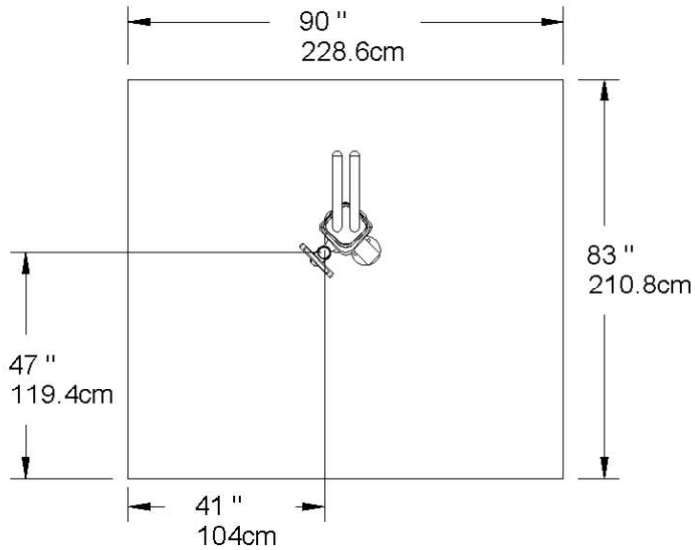
The Wheel Chock holds bikes upright while filling tires with air or making minor adjustments. With universal mounting, the Chock can be mounted to the ground with one of our pumps or mounted directly to our Deluxe Public Work Stand.

Product Specifications

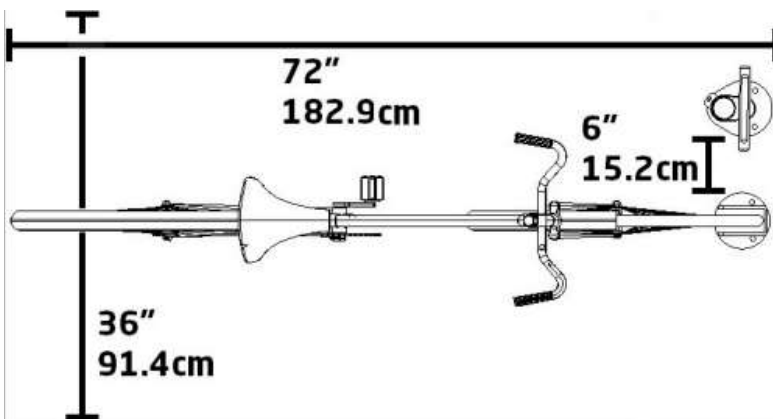
- Supports bikes without kickstands while inflating tires
- Tire friction stops roll-back
- Upright position eliminates trip hazard
- Accommodates tires up to 2.75" and wheel diameters up to 29"
- Cannot lock bikes to wheel chock
- ADA compliant

Wheel Chock

Layout with deluxe public work stand mount



Layout with pump



Installation hardware included



Laser cut flat steel



Powder coat stainless steel finish

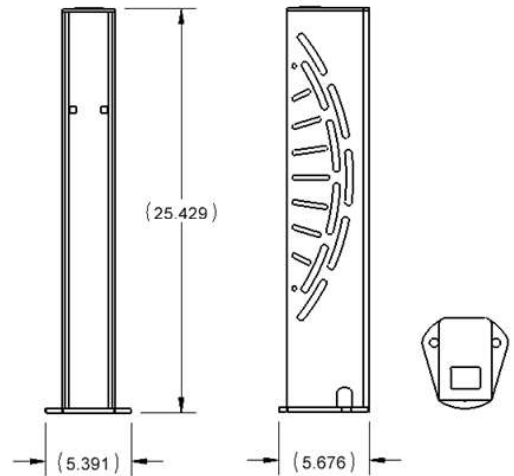


2 year warranty



Made in the USA

Wheel Chock line drawing dimensions



Dimensions

Model #	Finish with additional color options	Weight	Length	Width	Height
26195S	Stainless	16 lbs.	6"	6"	25.5"
26195BLK	Black Powdercoat	16 lbs.	6"	6"	25.5"
26195RED	Red Powdercoat	16 lbs.	6"	6"	25.5"
26195ORG	Orange Powder Coat	16 lbs.	6"	6"	25.5"
26195BLU	Blue Powder Coat	16 lbs.	6"	6"	25.5"
26195DGREN	Green Powder Coat	16 lbs.	6"	6"	25.5"
26195YLW	Yellow Powder Coat	16 lbs.	6"	6"	25.5"

Design files and additional product resources available online at sarisastructure.com