



c/o Struthers Recreation, LLC.
 P.O. Box 1178
 Pelham, AL 35124
 Phone: 800-221-8869
 Fax: 205-663-5012

11/16/2022
 Quote #
 103123-01-03

Kids Kingdom- Additional Shades Op 2

City of Madison Parks and Recreation in Alabama
 Attn: Kory Alfred
 8324 Madison Pike
 Madison, AL 35758
 Phone: 256-772-2553
 Fax: 256-772-9377
 kory.alfred@madisonal.gov

Ship to Zip 35758

Quantity	Part #	Description	Unit Price	Amount
3	QRM508	GT-Shade - HYU202010SG HYPERBOLIC UMB 20X20X10	\$8,261.00	\$24,783.00
3	QRM506	GT-Shade - HYU161610SG HYPERBOLIC UMB 16X16X10	\$6,540.00	\$19,620.00
1	INSTALL	Struthers Recreation - Installation of Shade	\$24,900.00	\$24,900.00
			Sub Total	\$69,303.00
			Freight	\$1,598.51
			Total	\$70,901.51

OMNIA Partners Contract #2017001134

Purchase Orders must be made out to GameTime when purchasing through the contract.

Pricing: Quotes are valid for 30 days from date of quotation. Pricing may change after 30 days. If ship to zip code changes, freight may change. **UNLESS SPECIFICALLY INCLUDED, THIS QUOTATION EXCLUDES ALL EQUIPMENT ASSEMBLY AND INSTALLATION; SAFETY SURFACING; BORDERS AND DRAINAGE PROVISIONS, ALL SITE WORK AND LANDSCAPING; REMOVAL OF EXISTING EQUIPMENT; ACCEPTANCE OF EQUIPMENT AND OFF-LOADING AND STORAGE OF GOODS PRIOR TO INSTALLATION. SIGNED ACCEPTANCE OF THIS QUOTE ASSUMES ACCEPTANCE OF TERMS AND CONDITIONS ON ATTACHED PAGE. TERMS: NET 30 DAYS**

Kids Kingdom- Additional Shades Op 2

11/16/2022
Quote #103123-01-03

Acceptance of quotation:

SIGNED ACCEPTANCE OF THIS QUOTE ASSUMES ACCEPTANCE OF ALL TERMS AND CONDITIONS IN THIS QUOTE.

Accepted By (printed): Paul Finley Signature: _____

P.O. No: _____ Purchase Amount: **\$70,901.51**

Date: _____ Title: Mayor

Phone: 256-772-5603 Facsimilie: _____

Order Information:

Bill To: _____ Contact: _____

Address: _____ Tel: _____

City, State, Zip: _____

Email for Invoicing: _____

Ship To: _____ Contact: _____

Address: _____ Tel: _____

City, State, Zip: _____

FIN# (FEDERAL IDENTIFICATION NUMBER) 63-6005367


SALES TAX EXEMPTION CERTIFICATE #: _____

COPY OF TAX EXEMPTION CERTIFICATE MUST BE PROVIDED FOR ALL TAX EXEMPT ORDERS

Kids Kingdom- Additional Shades Op 2

11/16/2022
Quote #103123-01-03

TERMS AND CONDITIONS OF SALE Required for Complete Order: Purchase Order or Signed quote, 50% down and 50% net 30 after delivery or installation with credit approval or 100% payment with order, complete billing & shipping address w/ contact names and phone numbers, and color selections. Contractors provide fully executed bid/performance/payments bonds as applicable. Pricing: f.o.b. factory, firm for 30 days from date of quotation. Acceptance of this Transaction: constitutes entire agreement between buyer and seller. Failure to pay when agreed is basis for legal action to be taken. Buyer agrees to pay all legal costs for collection and reasonable attorney fees, and hereby waives rights of exemption as to personal property under the laws of the state of Alabama or any other state. In connection with this transaction, a finance charge will be imposed on the past due balance at an annual percentage rate of 18%, or 1-1/2% per month. Delivery Schedule: Upon written notification of order (with or without installation services) delivery will be made in appx. 45-60 days. Customer has 10 days after ordering to make request to delay ship date if site will not be ready. All efforts will be made to accommodate requests, but no change is guaranteed. Freight carrier is instructed to call 24 hours in advance to arrange delivery. Returned Goods: Returned goods are subject for a restocking fee of 30% in addition to both the outbound and inbound freight charges. Goods must be packaged to protect against damage in transit in accordance with best commercial practices. Labor and material costs to make returned goods merchantable will be deducted from any credit. Returned goods will not be accepted without an authorization number (RGA) assigned by Struthers Recreation, LLC. To be eligible for credit, returned good must be received at manufacturer within 45 days of issuance of a returned goods authorization number. Unloading: Unless unloading service is contracted, unloading of delivery truck is responsibility of customer. Forklift may be required. If unloading, customer is responsible for accepting and noting any damages or shortages on the freight bill and inspecting/inventorying equipment upon receipt. Customer must notify our office immediately of any discrepancies. Freight carrier is instructed to call your designated contact 24 hours in advance to arrange delivery. **If job site is not prepared and ready for installation when equipment delivers, any pre-existing unloading agreement is voided and customer is responsible for truck unloading and equipment storage.** Additionally Insured: Any entity or person named as additionally insured, add \$150.00 per each occurrence. **TERMS AND CONDITIONS IF CONTRACTING INSTALLATION SERVICES** Utilities: Customer is responsible for the location and marking of all underground utilities and sprinklers prior to installation. Struthers Recreation, LLC. is not responsible for damages or repairs to any form of underground utility or sprinklers. Equipment Layout: To be as illustrated & accepted on submitted drawings. Any requested changes may result in additional charges. **Site Conditions: Installation quotations are based on a prepared level surface (slope not to exceed 2%), and open truck access to the area. We require a 10' wide path into the site and unloaded equipment to be within 100'. Please notify estimator of site concerns to ensure proper quotation. If installation crew arrives and installation cannot be performed due to unprepared surface or inadequate access, an additional \$1,500.00 will be charged for return trip.** Pier spoils from installation shall be spread at site. Site will be left rough grade. Upcharge of \$65.00 per hour per man plus necessary equipment rental will be added for installation in rock, concrete or existing asphalt. Removal of existing equipment, trees, etc. is by others unless specifically contracted. Machinery Use: Installation requires the use of heavy machinery. All efforts are made to minimize damage to the site. It is recommended that all final landscaping, fencing, sidewalks, etc. be completed after installation of equipment and/or surfacing. Struthers Recreation, LLC. is not responsible for damage to grass or other site features due to normal, necessary equipment use. Please notify estimator to discuss concerns prior to accepting quotation in case revisions are needed. Waste Disposal: Dumpster or approved dumping area must be provided for packaging and other waste during installation. Struthers Recreation, LLC. is not responsible for removing waste from the property unless specifically contracted. Security: Struthers Recreation, LLC. is pleased to supply & install your equipment in a timely, professional manner. Upon completion, the equipment is secured with tape to discourage play and allow concrete to dry for 72 hours. Premature play will cause equipment to become loose in the concrete footings. Customer is responsible for prohibiting access to equipment during this critical drying time. Struthers Recreation, LLC. is not responsible for equipment that becomes loose in the concrete due to premature access or events beyond our control. If purchasing rubber safety surfacing, the 72 hour waiting period also applies. Premature access will leave imprints in rubber surfacing. Customer is responsible for security.



Struthers Recreation, LLC.

12/1/2022

DATE

CUSTOMER

DATE

Kids Kingdom- Additional Shades Op 2

11/16/2022
Quote #103123-01-03

COLOR SELECTIONS

To view the GameTime color chart, click here: <https://www.gametime.com/colors>

Plastic: _____ Uprights: _____

Accent Metal: _____ Decks: _____

Rock: _____ Shade Fabric: _____

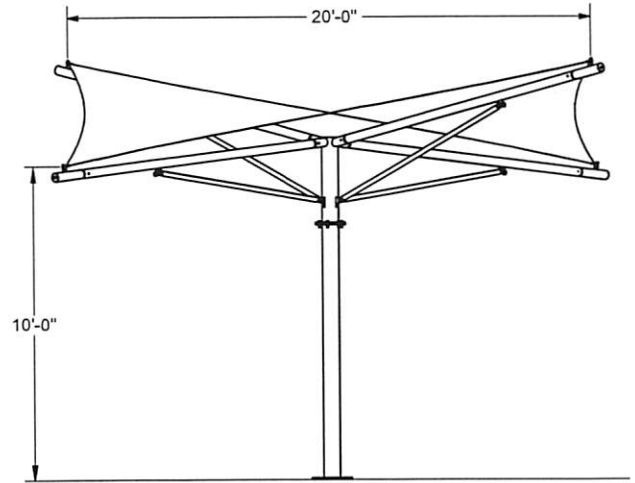
HDPE: _____ Surfacing: _____

HYPERBOLIC UMBRELLA SHADE

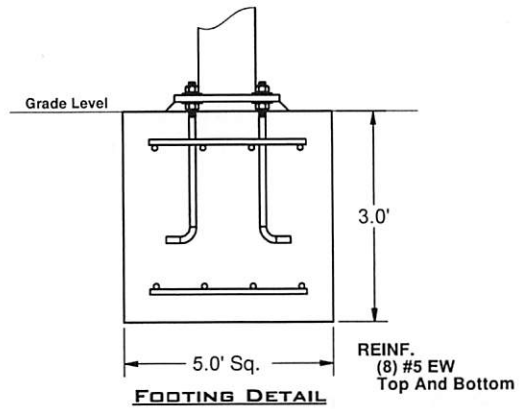
20' x 20' x 10'

MODEL #:
HYU202010SG (With Glide Elbows) ONLY

REF.#	PART DESCRIPTION	QTY.
1	Column - BP Ø6 5/8" With Swaged Top	1
2	Crown - Ø6 5/8" Four Socket Hyperbolic	1
3	Rafter - Ø3 1/2" Swaged	4
4	Strut - Upper Ø2 1/2" x 50.3" Rigid	2
5	Strut - Lower Ø2 1/2" x 46" Rigid	2
6	Glide - Ø3 1/2" Mechanized Insert	4
7	Fabric - 20' x 20' Hyperbolic w/ Cable	1
8	Frame Hardware Kit	1
9	Anchor Hardware	1



ELEVATION VIEW



FOOTING DETAIL

*Footing design based on 1500 PSF soil bearing pressure.

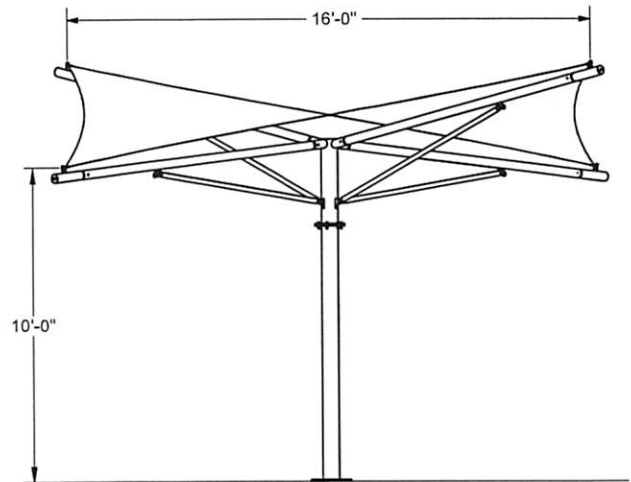
These drawings are for reference only and should not be used as construction details. Materials, fasteners, and foundations are subject to change if professionally sealed engineering drawings are required. Designed for 105 MPH Basic Wind Speed.

HYPERBOLIC UMBRELLA SHADE

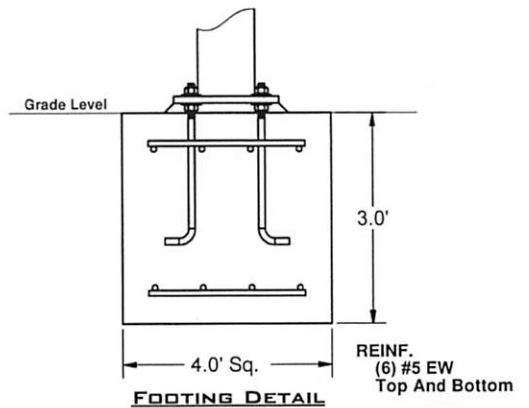
16' x 16' x 10'

MODEL #:
HYU161610SG (With Glide Elbows) ONLY

REF.#	PART DESCRIPTION	QTY.
1	Column - BP Ø5 9/16" With Swaged Top	1
2	Crown - Ø5 9/16" Four Socket Hyperbolic	1
3	Rafter - Ø3 1/2" Swaged	4
4	Strut - Upper Ø1 7/8" x 50.3" Rigid	2
5	Strut - Lower Ø1 7/8" x 46" Rigid	2
6	Glide - Ø3 1/2" Mechanized Insert	4
7	Fabric - 16' x 16' Hyperbolic w/ Cable	1
8	Frame Hardware Kit	1
9	Anchor Hardware	1



ELEVATION VIEW



FOOTING DETAIL

*Footing design based on 1500 PSF soil bearing pressure.

These drawings are for reference only and should not be used as construction details. Materials, fasteners, and foundations are subject to change if professionally sealed engineering drawings are required. Designed for 105 MPH Basic Wind Speed.

