

**Tree Inventory, Assessment,  
and  
Protection Report**

**140 Prospect Avenue, Los Gatos  
Los Gatos, CA 95032**

**Prepared for:**

**Town of Los Gatos**

**October 13, 2021**

**Prepared By:**



**Monarch Consulting Arborists**

Richard Gessner  
P.O. Box 1010 - Felton, CA 95018  
1 831 331 8982  
[www.monarcharborists.com](http://www.monarcharborists.com)



# Table of Content

**Summary .....1**

**Introduction.....1**

Background .....1

Assignment.....1

Limits of the assignment .....1

Purpose and use of the report.....2

**Observations .....2**

Tree Inventory .....2

Plans .....2

**Analysis .....4**

**Discussion .....5**

Condition Rating.....5

Expected Impact Level.....6

Mitigation for Removals.....7

Tree Protection .....8

**Conclusion .....8**

**Recommendations .....9**

**Bibliography .....10**

**Glossary of Terms.....11**

**Appendix A: Tree Inventory Map and Site Plan.....13**

A1: Existing Site Plan .....13

A2: Proposed Plan.....14



**Appendix B: Tree Inventory and Assessment Tables .....15**

**Appendix C: Photographs.....17**

C1: Blue oak #261 .....17

C2: Blue oak #254 .....18

C3: Blue oak #257 .....19

C5: Black oak #275 .....20

C6: Coast live oaks #746 and #747.....21

C7: Coast live oaks #748 and #749.....22

**Appendix D: Tree Protection Guidelines.....23**

D1: Plan Sheet Detail S-X (Type I) .....23

D2: Plan Sheet Detail S-Y (Type III) .....24

D3: Section 29.10.1005. - Protection of Trees During Construction .....25

Tree Protection Zones and Fence Specifications .....25

All persons, shall comply with the following precautions.....26

Prohibited Activities.....26

Monitoring .....27

Root Pruning.....27

Boring or Tunneling.....27

Tree Pruning and Removal Operations.....27

**Appendix E: Tree Protection Signs.....28**

E1: English.....28

E2: Spanish.....29

**Qualifications, Assumptions, and Limiting Conditions .....30**



**Certification of Performance.....31**



## Summary

The applicant is requesting approval for the demolition of an existing detached garage, construction of a new detached garage to exceed the floor area ratio (FAR), and a grading permit for site improvements. The inventory contains eleven (11) trees comprised of three (3) different species (coast live oak (*Quercus agrifolia*), blue oak (*Quercus douglasii*), and black oak (*Quercus kelloggii*)). Six trees are considered Large Protected and none are Exempt. Three trees are in good condition, seven in fair shape, one poor (#749), and one very poor (#254). Large Protected blue oak #254 is void of foliage and in irreversible decline. Seven trees could be highly impacted by the proposed plans including two Large Protected blue oaks #261 and #254. I considered #275 and #252A to be moderate-highly impacted. The four coast live oaks in front #746, #747, #748, and #749 would all require removal or transplanting. It may be possible to work around #261 and #254 or use alternative construction techniques to minimize impacts, but as displayed on the plans these trees would be destroyed. The applicant will be required to replace seven (7) protected trees according to the ordinance. Tree Protection would require exclusion from the lower terrace and trees #275 and #252A are close to the proposed grading and exclusion by fence, or relegating construction to the adjacent most upper plane in the terraces. The front of the site will require everything to be eradicated and no tree protection will be necessary. There were twelve (12) trees appraised for a rounded depreciated value of \$88,530.00.



## Introduction

### Background

The Town of Los Gatos asked me to assess the site, trees, and proposed footprint plan, and to provide a report with my findings and recommendations to help satisfy planning requirements.

### Assignment

- Provide an arborist's report including an assessment of the trees within the project area and on the adjacent sites. The assessment is to include the species, size (trunk diameter), condition (health, structure, and form), and suitability for preservation ratings. Affix number tags on the trees for reference on site and on plans.
- Provide tree protection specifications, guidelines, and impact ratings for those affected by the project.
- Provide appraised values using the Trunk Formula Technique.

### Limits of the assignment

- The information in this report is limited to the condition of the trees during my inspection on September 21, 2021. No tree risk assessments were performed.
- Tree heights and canopy diameters are estimates.

- The plans reviewed for this assignment were as follows (Table 1)

Table 1: Plans Reviewed Checklist

Plan	Date	Sheet	Reviewed	Source
Existing Site Topographic			No	
Proposed Site Plan	June 1, 2021	A0.1	Yes	Kuop Designs
Erosion Control			No	
Grading and Drainage	July 2021	C2 C2.1	No	GKM Engineering
Utility Plan and Hook-up locations			No	
Exterior Elevations	June 1, 2021	A0.2	Yes	Kuop Designs
Landscape Plan			No	
Irrigation Plan			No	
T-1 Tree Protection Plan			No	

## Purpose and use of the report

The report is intended to identify all the trees within the plan area that could be affected by a project. The report is to be used by the Town of Los Gatos and the property owners as a reference for existing tree conditions to help satisfy planning requirements.

## Observations

### Tree Inventory

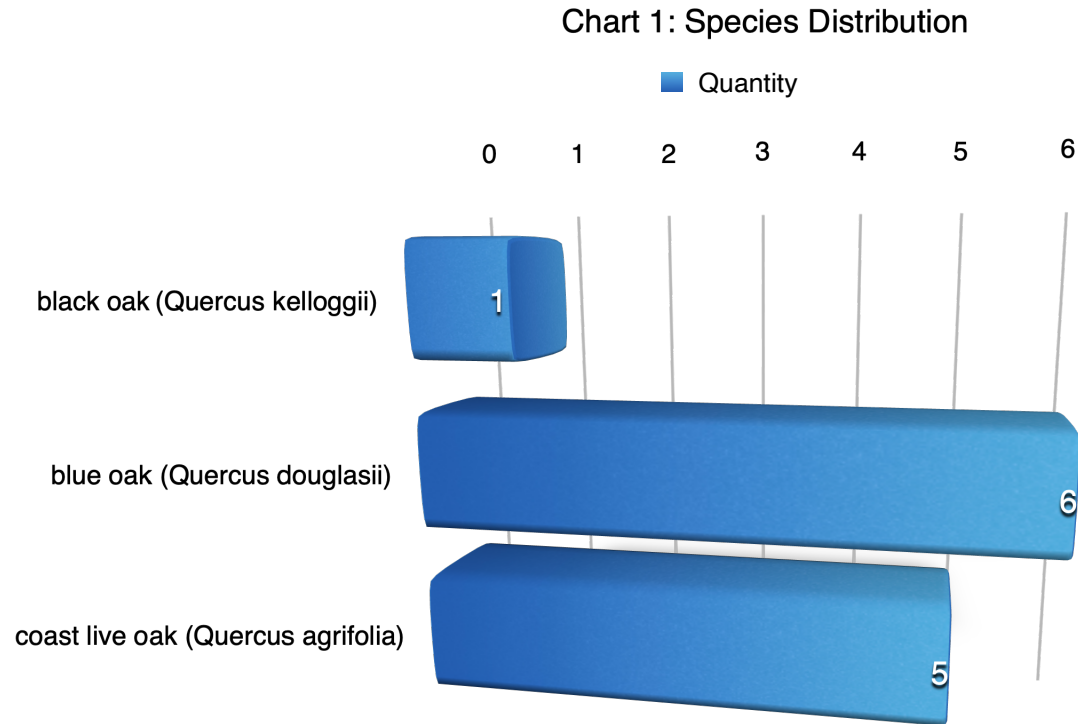
The inventory consists of trees protected by the Town of Los Gatos located on site and those in close proximity on neighboring properties. Sec. 29.10.0960. - Scope of protected trees. All trees which have a four-inch or greater diameter (twelve and one half-inch circumference) of any trunk, when removal relates to any review for which zoning approval or subdivision approval is required. (Appendix A and B). Los Gatos Town Ordinance 29.10.0970 Exceptions (1) states the following: “A fruit or nut tree that is less than eighteen (18) inches in diameter (fifty-seven-inch circumference).

### Plans

Requesting approval for the demolition of an existing detached garage, construction of a new detached garage to exceed the floor area ratio (FAR), and a grading permit for site improvements.



The inventory contains eleven (11) trees comprised of three (3) different species (Chart 1). Six trees are considered Large Protected<sup>1</sup> and none are Exempt<sup>2</sup> (Chart 1).



<sup>1</sup> Large protected tree means any oak (*Quercus spp.*), California buckeye (*Aesculus californica*), or Pacific madrone (*Arbutus menziesii*) which has a 24-inch or greater diameter (75-inch circumference); or any other species of tree with a 48-inch or greater diameter (150-inch circumference).

<sup>2</sup> A fruit or nut tree that is less than eighteen (18) inches in diameter (fifty-seven-inch circumference).



## Analysis

Tree appraisal was performed according to the Council of Tree & Landscape Appraisers *Guide for Plant Appraisal 10th Edition, 2019* (CLTA) along with Western Chapter International Society of Arboriculture *Species Classification and Group Assignment, 2004*. The trees were appraised using the “Cost Approach” and more specifically the “Trunk Formula Technique” (Appendix B).

“Trunk Formula Technique” is calculated as follows: Basic Tree Cost = (Unit tree cost x Appraised trunk area), Appraised Value = (Basic tree cost X functional Limitations (percentage) X Condition (percentage) X External Limitations (percentage)).

The trunk formula valuations are based on four tree factors; size (trunk cross sectional area), condition, functional limitations, and external limitations. There are two steps to determine the overall value. The first step is to determine the “Basic Tree Cost” based on size and unit tree cost. Unit tree cost is calculated by dividing the nursery wholesale cost of a 24 inch box specimen and its replacement size (cost per square inch trunk caliper) which is determined by the *Species Classification and Group Assignment, 2004 Western Chapter Regional Supplement*. The cost of the 24 inch box wholesale specimen was determined through personal communications with BrightView and Normans nurseries in Farmington and Central Wholesale in San Jose for an average of \$214.00.

The second part is to depreciate the tree’s Basic Cost through an assessment of condition, functional limitations, and external limitations. The condition assessment guidelines and percentages are defined in the “Condition Rating” section of this report. Functional limitations are based on factors associated with the tree’s interaction to its planting site that would affect condition, limit development, or reduce the utility in the future and include genetics, placement, and site conditions for the individual tree. External limitations are outside the property, out of control of the owner and also affect condition, limit development, or reduce the utility in the future (i.e power lines, municipal restrictions, drought adaptations, or species susceptibility to pests).

There were twelve (12) trees appraised for a rounded depreciated value of \$88,530.00.

Appraisal worksheets are available upon request





## Discussion

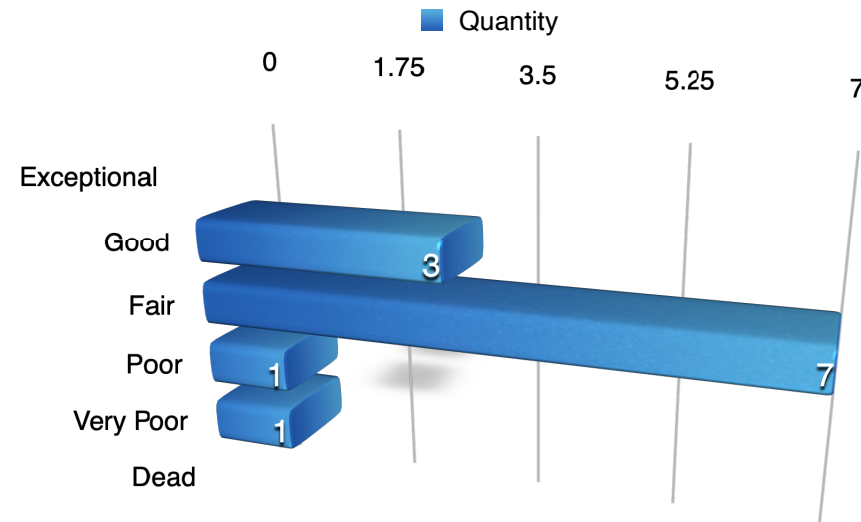
### Condition Rating

A tree's condition is a determination of its overall health, structure, and form. The assessment considered all three criteria for a combined condition rating.

- 100% - Exceptional = Good health and structure with significant size, location or quality.
- 61-80% - Good = Normal vigor, well-developed structure, function and aesthetics not compromised with good longevity for the site.
- 41-60 % - Fair = Reduced vigor, damage, dieback, or pest problems, at least one significant structural problem or multiple moderate defects requiring treatment. Major asymmetry or deviation from the species normal habit, function and aesthetics compromised.
- 21-40% - Poor = Unhealthy and declining appearance with poor vigor, abnormal foliar color, size or density with potential irreversible decline. One serious structural defect or multiple significant defects that cannot be corrected and failure may occur at any time. Significant asymmetry and compromised aesthetics and intended use.
- 6-20% - Very Poor = Poor vigor and dying with little foliage in irreversible decline. Severe defects with the likelihood of failure being probable or imminent. Aesthetically poor with little or no function in the landscape.
- 0-5% - Dead/Unstable = Dead or imminently ready to fail.

Three trees are in good condition and they are the newly planted coast live oaks in front with the exception of #749. Seven trees are in fair shape, one poor (#749), and one very poor (#254). Large Protected blue oak #254 is void of foliage and in irreversible decline. Black oak #275 and blue oak #252B have large columns of decay and the black oak leans.

Chart 2: Condition Ratings



## Expected Impact Level

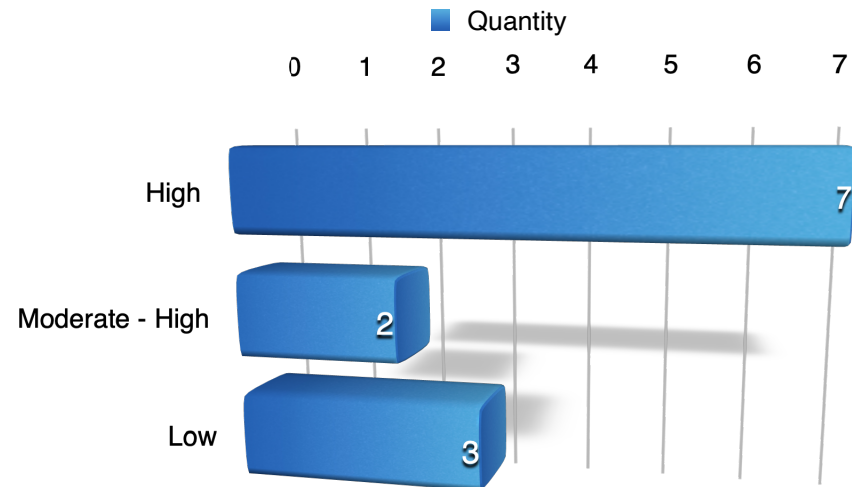
Impact level defines how a tree may be affected by construction activity and proximity to the tree, and is described as low, moderate, or high. The following scale defines the impact rating:

- Low = The construction activity will have little influence on the tree.
- Moderate = The construction may cause future health or structural problems, and steps must be taken to protect the tree to reduce future problems.
- High = Tree structure and health will be compromised and removal is recommended, or other actions must be taken for the tree to remain. The tree is located in the building envelope.

Seven trees could highly impacted by the proposed plans including two Large Protected blue oaks #261 and #254. Tree #254 is in irreversible decline and may in fact be dead. Oaks #261 and #275 would be affected by the expanded garage while #257 and #254 are either adjacent to grading or within the footprint. I considered #275 and #252A to be moderate-highly impacted. The four coast live oaks in front #746, #747, #748, and #749 would all require removal or transplanting while #749 is a failed planting with a shifted root ball and leaning trunk. It may be possible to work around #261 and #254 or use alternative construction techniques to minimize impacts but as displayed these trees would be destroyed. The trees in front were all somewhat recently planted large specimens and

technically that could be lifted out of the ground and moved to another location if feasible and desired.

Chart 3: Expected Impact



## Mitigation for Removals

The table below indicates the recommended replacement values (Table 2). The applicant will be required to replace seven (7) protected trees according to the ordinance. Alternatively it may be possible to create an approved landscape plan or provide an in-lieu payment.

Table 2: Town of Los Gatos Tree Canopy - Replacement Standard

Canopy Size of Removed Tree (1)	Replacement Requirement (2)(4)	Single Family Residential Replacement
10 feet or less	Two 24 inch box	Two 15 gallon
More than 10 feet to 25	Three 24 inch box	Three 15 gallon
More than 25 feet to 40 feet	Four 24 inch box trees or two 36 inch	Four 15 gallon trees
More than 40 feet to 55 feet	Six 24 inch box trees; or three 36	Not available
Greater than 55 feet	Ten 24 inch box trees; or five 36 inch	Not available

<sup>1</sup>To measure an asymmetrical canopy of a tree, the widest measurement shall be used to determine canopy size.

<sup>2</sup>Often, it is not possible to replace a single large, older tree with an equivalent tree(s). In this case, the tree may be replaced

with a combination of both the Tree Canopy Replacement Standard and in-lieu payment in an amount set forth by Town Council resolution paid to the Town Tree Replacement Fund.

<sup>3</sup>Single Family Residential Replacement Option is available for developed single family residential lots under 10,000 square feet that are not subject to the Town’s Hillside Development Standards and Guidelines. All 15-gallon trees must be planted on-site. Any in-lieu fees for single family residential shall be based on 24” box tree rates as adopted by Town Council.

<sup>4</sup>Replacement Trees shall be approved by the Town Arborist and shall be of a species suited to the available planting location, proximity to structures, overhead clearances, soil type, compatibility with surrounding canopy and other relevant factors. Replacement with native species shall be strongly encouraged. Replacement requirements in the Hillside Development Standards and Guidelines Appendix A and Section 29.10.0987 Special Provisions—Hillsides.



## Tree Protection

Typically there are three different tree protection schemes which are called Type I (Appendix D1), Type II and Type III (Appendix D2) trunk protection only. Tree protection focuses on avoiding damage to the roots, trunk, or scaffold branches (Appendix D). The most current accepted method for determining the TPZ is to use a formula based on species tolerance, tree age/vigor, and trunk diameter (Matheny, N. and Clark, J. 1998) (Fite, K, and Smiley, E. T., 2016). Preventing mechanical damage to the trunk from equipment or hand tools can be accomplished by wrapping the main stem with straw wattle or using vertical timbers (Appendix D). Tree Protection would require exclusion from the lower terrace below the last retaining wall. Trees #275 and #252A are close to the proposed grading and exclusion by fence or relegating construction to the adjacent most upper plane in the terraces. The front of the site will require everything to be eradicated and no tree protection will be necessary.

## Conclusion

The applicant is requesting approval for the demolition of an existing detached garage, construction of a new detached garage to exceed the floor area ratio (FAR), and a grading permit for site improvements. The inventory contains eleven (11) trees comprised of three (3) different species. Six trees are considered Large Protected and none are Exempt. Three trees are in good condition and they are the newly planted coast live oaks in front with the exception of #749. Seven trees are in fair shape, one poor (#749), and one very poor (#254). Large Protected blue oak #254 is void of foliage and in irreversible decline. Black oak #275 and blue oak #252B have large columns of decay and the black oak leans. Seven trees could highly impacted by the proposed plans including two Large Protected blue oaks #261 and #254. Tree #254 is in irreversible decline and may in fact be dead. Oaks #261 and #275 would be affected by the expanded garage while #257 and #254 are either adjacent to grading or within the footprint. I considered #275 and #252A to be moderate-highly impacted. The four coast live oaks in front #746, #747, #748, and #749 would all require removal or transplanting while #749 is a failed planting with a shifted root ball and leaning trunk. It may be possible to work around #261 and #254 or use alternative construction techniques to minimize impacts, but as displayed on the plans these trees would be destroyed. The trees in front were all somewhat recently planted large specimens and technically that could be lifted out of the ground and moved to another location if feasible and desired. The applicant will be required to replace seven (7) protected trees according to the ordinance. Tree Protection would require exclusion from the lower terrace and trees #275 and #252A are close to the proposed grading and exclusion by fence, or relegating construction to the adjacent most upper plane in the terraces. The front of the site will require everything to be eradicated and no tree protection will be necessary. There were twelve (12) trees appraised for a rounded depreciated value of \$88,530.00.



## Recommendations

1. Place tree numbers on all the plans. Add trees #746 and label tree #257 on the plans. Make sure the trees are clearly indicated for removal on all the plans. The trees should also be very clearly marked on site prior to removal.
2. Place tree protection adjacent to trees #275 and #252A at radii of 14 and 17 feet respectively. Exclude excavation from the terraced plane where the trees originate.
3. Consider revising the plans to retain tree #261 and work around it or use alternative construction methods to help preserve the root area. Consider relocating trees #746, #747, and #748.
4. Install temporary irrigation or soaker hoses in all tree protection zones and provide supplemental watering during construction within all TPZ areas. Monitor watering times or amounts to ensure adequate soil saturation. (A 5/8" soaker hose requires about 200 minutes to deliver one inch of water to a garden. This number is affected by the length of the hose and the overall rate of flow from the faucet. A good rule of thumb is to expect about ½ GPM as a standard faucet flow rate.). Infrequent deeper watering is preferred.
5. All tree maintenance and care shall be performed by a qualified arborist with a C-61/D-49 California Contractors License. Tree maintenance and care shall be specified in writing according to American National Standard for Tree Care Operations: *Tree, Shrub and Other Woody Plant Management: Standard Practices* parts 1 through 10 and adhere to ANSI Z133.1 safety standards and local regulations. All maintenance is to be performed according to ISA Best Management Practices.
6. Refer to Appendix D for general tree protection guidelines including recommendations for arborist assistance while working under trees, trenching, or excavation within a trees drip line or designated TPZ/CRZ.
7. Place all the tree protection fence locations and guidelines on the plans including the grading, drainage, and utility plans. Create a separate plan sheet that includes all three protection measures labeled "T-1 Tree Protection Plan."
8. Provide a copy of this report to all contractors and project managers, including the architect, civil engineer, and landscape designer or architect. It is the responsibility of the owner to ensure all parties are familiar with this document.



9. Arrange a pre-construction meeting with the project arborist or landscape architect to verify tree protection is in place, with the correct materials, and at the proper distances.

## Bibliography

American National Standard for Tree Care Operations: Tree, Shrub and Other Woody Plant Management : Standard Practices (Management of Trees and Shrubs During Site Planning, Site Development, and Construction)(Part 5). Londonderry, NH: Secretariat, Tree Care Industry Association, 2019. Print.

Fite, Kelby, and Edgar Thomas. Smiley. *Managing trees during construction*, second edition. Champaign, IL: International Society of Arboriculture, 2016.

ISA. *Guide For Plant Appraisal 9th Edition*. Savoy, IL: International Society of Arboriculture, 2000. Print.

ISA. *Guide For Plant Appraisal 10th Edition*. Savoy, IL: International Society of Arboriculture, 2018. Print.

ISA. Species Classification and Group Assignment, 2004 Western Chapter Regional Supplement. Western Chapter ISA

Matheny, Nelda P., Clark, James R. *Trees and development: A technical guide to preservation of trees during land development*. Bedminster, PA: International Society of Arboriculture 1998.

Smiley, E, Matheny, N, Lilly, S, ISA. *Best Management Practices: Tree Risk Assessment*: International Society of Arboriculture, 2017. Print



## Glossary of Terms

**Basic Tree Cost:** The cost of replacement for a perfect specimen of a particular species and cross sectional area prior to location and condition depreciation.

**Cost Approach:** An indication of value by adding the land value to the depreciated value of improvements.

**Defect:** An imperfection, weakness, or lack of something necessary. In trees defects are injuries, growth patterns, decay, or other conditions that reduce the tree's structural strength.

**Diameter at breast height (DBH):** Measures at 1.4 meters (4.5 feet) above ground in the United States, Australia (arboriculture), New Zealand, and when using the Guide for Plant Appraisal, 9th edition; at 1.3 meters (4.3 feet) above ground in Australia (forestry), Canada, the European Union, and in UK forestry; and at 1.5 meters (5 feet) above ground in UK arboriculture.

**Drip Line:** Imaginary line defined by the branch spread or a single plant or group of plants. The outer extent of the tree crown.

**Form:** describes a plant's habit, shape or silhouette defined by its genetics, environment, or management.

**Health:** Assessment is based on the overall appearance of the tree, its leaf and twig growth, and the presence and severity of insects or disease.

**Mechanical damage:** Physical damage caused by outside forces such as cutting, chopping or any mechanized device that may strike the tree trunk, roots or branches.

**Scaffold branches:** Permanent or structural branches that form the scaffold architecture or structure of a tree.

**Straw wattle:** also known as straw worms, bio-logs, straw noodles, or straw tubes are man made cylinders of compressed, weed free straw (wheat or rice), 8 to 12 inches in diameter and 20 to 25 feet long. They are encased in jute, nylon, or other photo degradable materials, and have an average weight of 35 pounds.



**Structural evaluation:** focused on the crown, trunk, trunk flare, above ground roots and the site conditions contributing to conditions and/or defects that may contribute to failure.

**Tree Protection Zone (TPZ):** Defined area within which certain activities are prohibited or restricted to prevent or minimize potential injury to designated trees, especially during construction or development.

**Tree Risk Assessment:** Process of evaluating what unexpected things could happen, how likely it is, and what the likely outcomes are. In tree management, the systematic process to determine the level of risk posed by a tree, tree part, or group of trees.

**Trunk:** Stem of a tree.

**Trunk Formula Technique:** Method to appraise the monetary value of trees considered too large to be replaced with nursery or field grown stock. Based on developing a representative unit cost for replacement with the same or comparable species of the same size and in the same place, subject to depreciation for various factors. Contrast with replacement cost method.

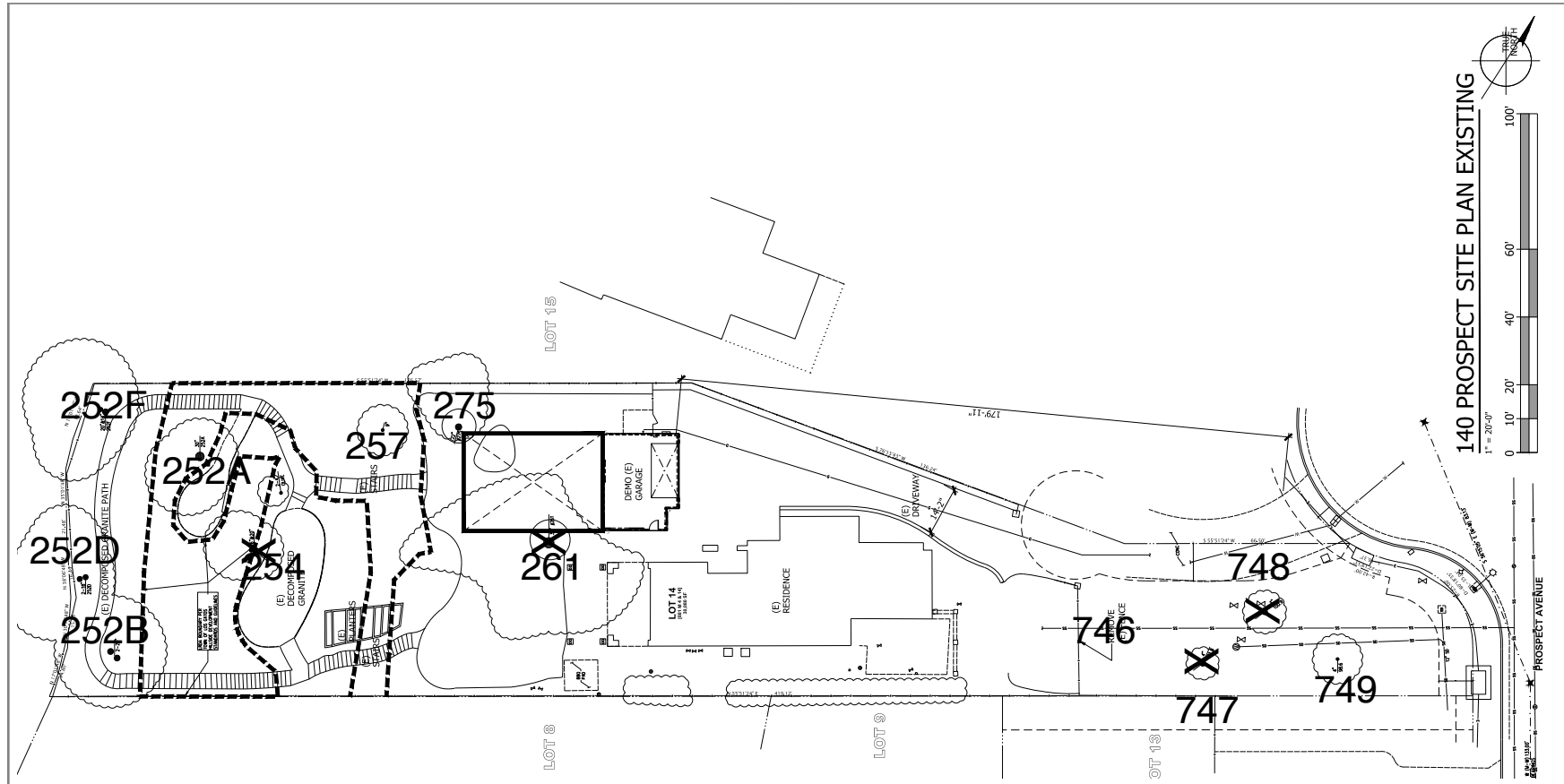
**Volunteer:** A tree, not planted by human hands, that begins to grow on residential or commercial property. Unlike trees that are brought in and installed on property, volunteer trees usually spring up on their own from seeds placed onto the ground by natural causes or accidental transport by people. Normally, volunteer trees are considered weeds and removed, but many desirable and attractive specimens have gone on to become permanent residents on many public and private grounds.



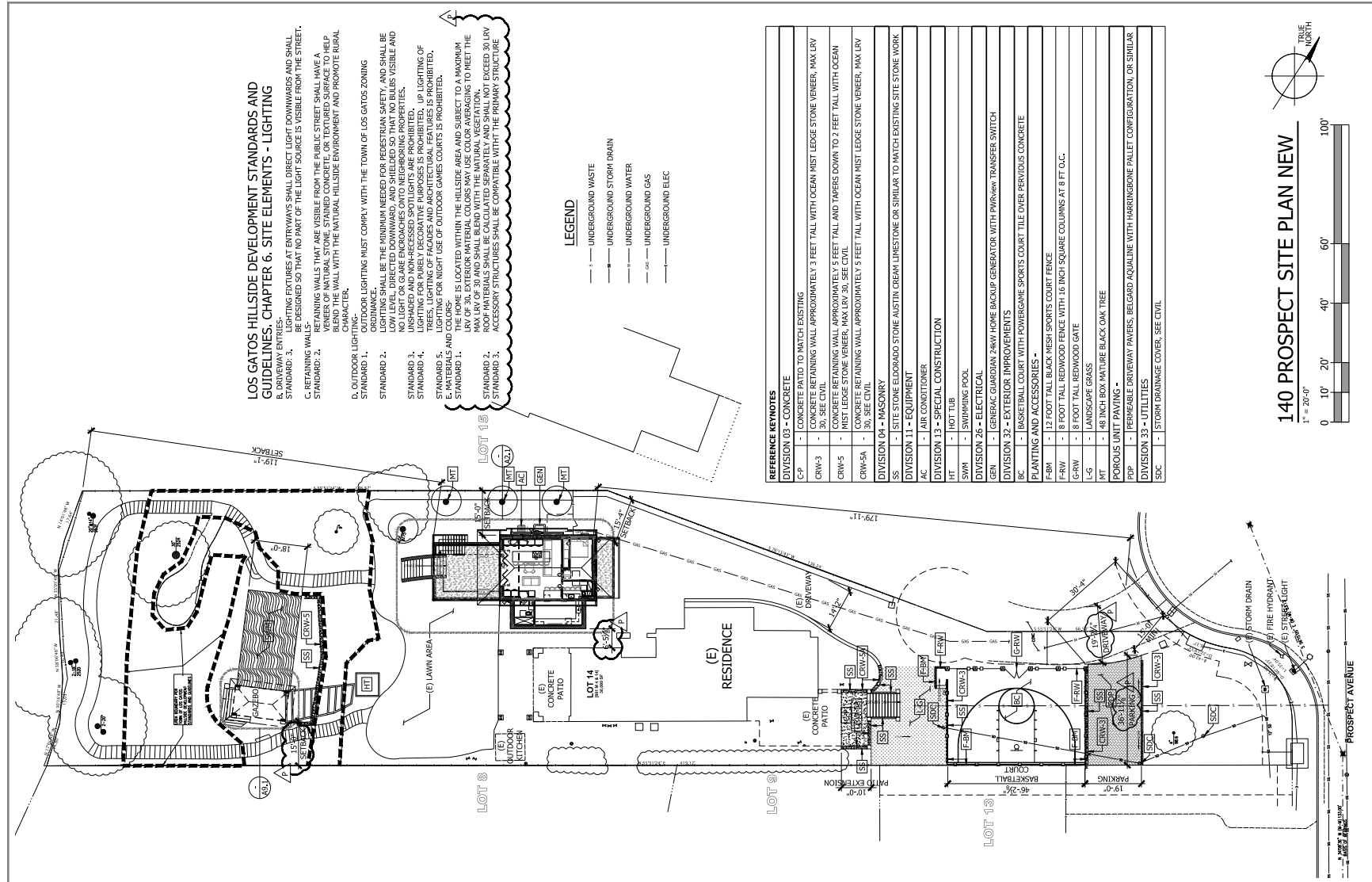


# Appendix A: Tree Inventory Map and Site Plan

## A1: Existing Site Plan



## A2: Proposed Plan



## Appendix B: Tree Inventory and Assessment Tables

Table 3: Inventory and Assessment Summary

Tree Species	I.D. #	Trunk Diameter (in.)	~ Canopy Diameter (ft.)	Condition	Expected Impact	Protection Status	Rounded Depreciated Value	Tree Protection Radii (ft.)
blue oak ( <i>Quercus douglasii</i> )	261	33	45	Fair	High	Large Protected	\$7,200.00	13
Black oak ( <i>Quercus kelloggii</i> )	275	21	35	Fair	Moderate-High	Protected	\$7,900.00	14
blue oak ( <i>Quercus douglasii</i> )	257	10	25	Fair	High	Protected	\$690.00	5
blue oak ( <i>Quercus douglasii</i> )	254	18, 21	55	Very poor	High	Large Protected	\$4,210.00	19
blue oak ( <i>Quercus douglasii</i> )	252A	25	35	Fair	Moderate-High	Large Protected	\$11,200.00	17
blue oak ( <i>Quercus douglasii</i> )	252F	20, 17	45	Fair	Low	Large Protected	\$16,900.00	17
coast live oak ( <i>Quercus agrifolia</i> )	252D	16, 18	35	Fair	Low	Large Protected	\$14,400.00	16
blue oak ( <i>Quercus douglasii</i> )	252B	36	65	Fair	Low	Large Protected	\$23,200.00	24
coast live oak ( <i>Quercus agrifolia</i> )	746	4	8	Good	High	Protected	\$400.00	3
coast live oak ( <i>Quercus agrifolia</i> )	747	6	8	Good	High	Protected	\$900.00	4
coast live oak ( <i>Quercus agrifolia</i> )	748	5	8	Good	High	Protected	\$630.00	3



Tree Species	I.D. #	Trunk Diameter (in.)	~ Canopy Diameter (ft.)	Condition	Expected Impact	Protection Status	Rounded Depreciated Value	Tree Protection Radii (ft.)
coast live oak ( <i>Quercus agrifolia</i> )	749	6	8	Poor	High	Protected	\$900.00	4



## Appendix C: Photographs

### C1: Blue oak #261



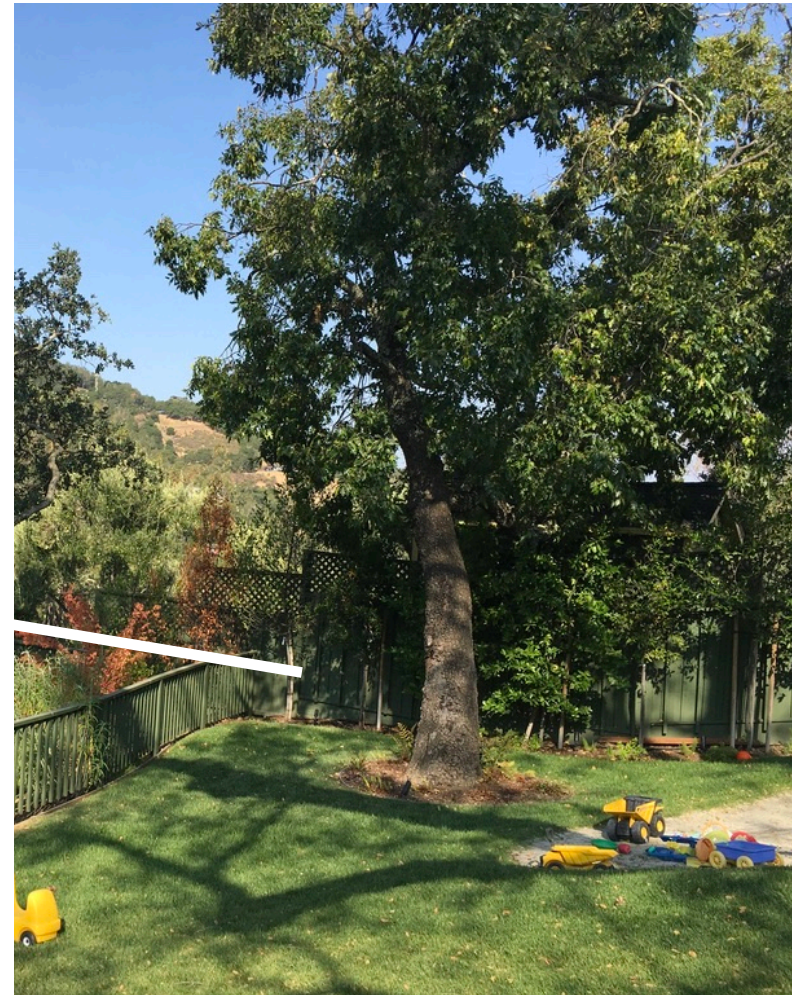
**C2: Blue oak #254**



**C3: Blue oak #257**



**C5: Black oak #275**





**C6: Coast live oaks #746 and #747**

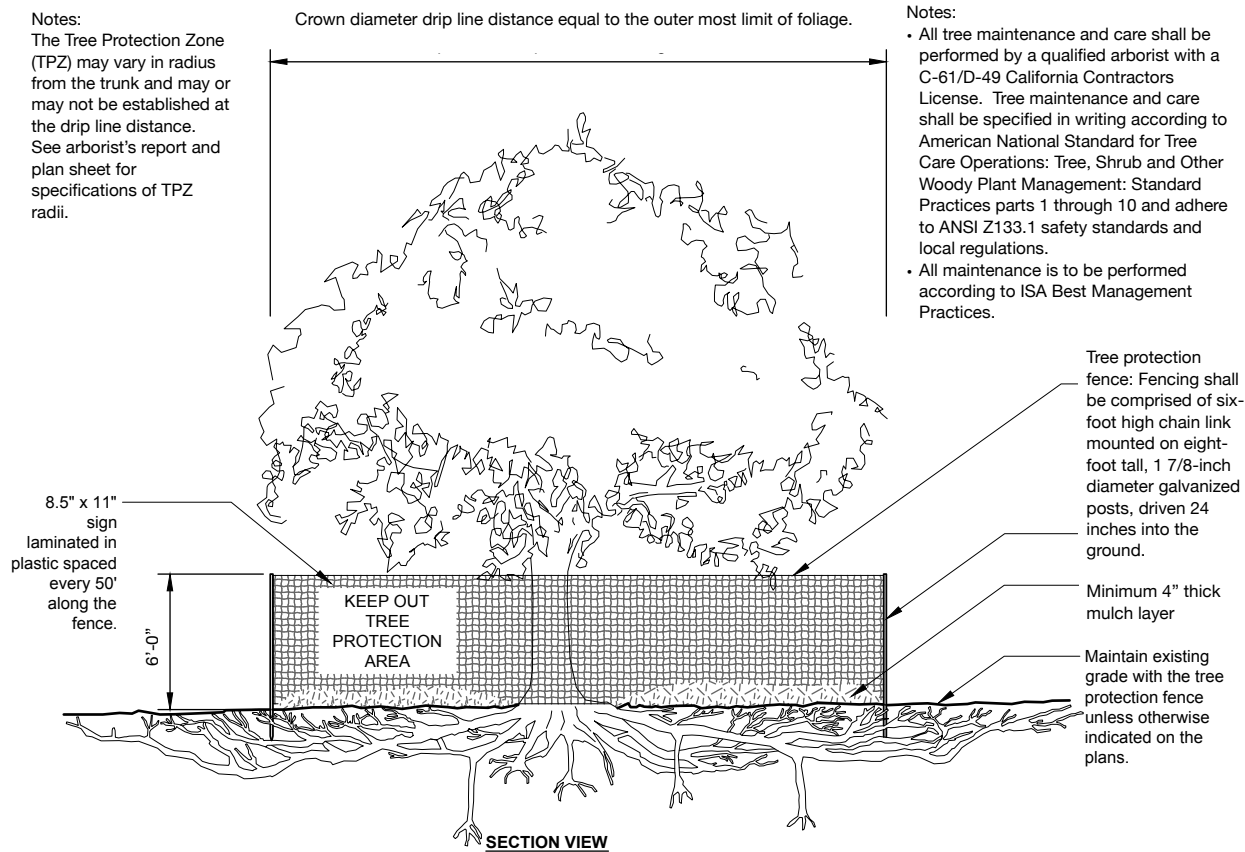


**C7: Coast live oaks #748 and #749**



# Appendix D: Tree Protection Guidelines

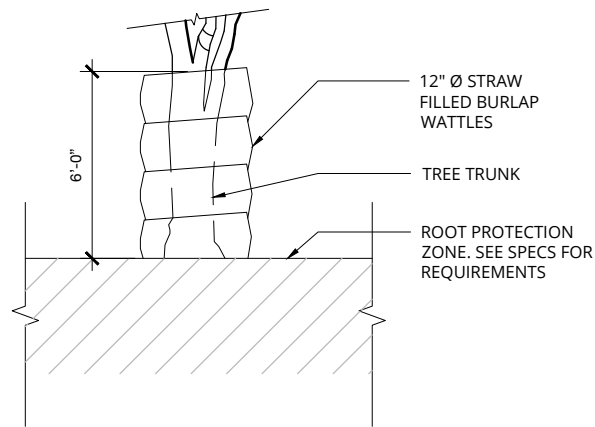
## D1: Plan Sheet Detail S-X (Type I)



URBAN TREE FOUNDATION © 2014  
OPEN SOURCE FREE TO USE  
Modified by Monarch Consulting  
Arborists LLC, 2019



### D2: Plan Sheet Detail S-Y (Type III)

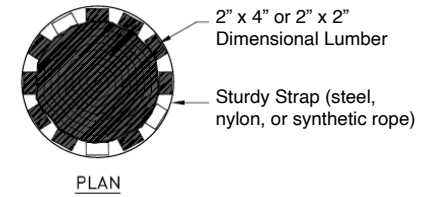


SECTION VIEW

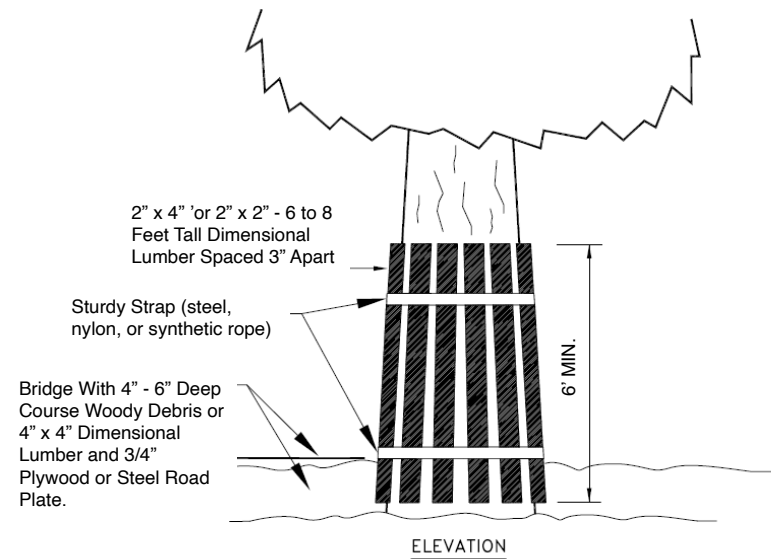
S-Y

TRUNK PROTECTION WITH WATTLE

Note: See Local Ordinance Requirements and Arborist's Report for Additional Protection Specifications and Guidelines.



PLAN



ELEVATION

### Trunk Protection Vertical Timber Detail



## D3: Section 29.10.1005. - Protection of Trees During Construction

### Tree Protection Zones and Fence Specifications

1. **Size and materials:** Six (6) foot high chain link fencing, mounted on two-inch diameter galvanized iron posts, shall be driven into the ground to a depth of at least two (2) feet at no more than ten-foot spacing. For paving area that will not be demolished and when stipulated in a tree preservation plan, posts may be supported by a concrete base.
2. **Area type to be fenced:** Type I: Enclosure with chain link fencing of either the entire dripline area or at the tree protection zone (TPZ), when specified by a certified or consulting arborist. Type II: Enclosure for street trees located in a planter strip: chain link fence around the entire planter strip to the outer branches. Type III: Protection for a tree located in a small planter cutout only (such as downtown): orange plastic fencing shall be wrapped around the trunk from the ground to the first branch with two-inch wooden boards bound securely on the outside. Caution shall be used to avoid damaging any bark or branches.
3. **Duration of Type I, II, III fencing:** Fencing shall be erected before demolition, grading or construction permits are issued and remain in place until the work is completed. Contractor shall first obtain the approval of the project arborist on record prior to removing a tree protection fence.
4. **Warning Sign:** Each tree fence shall have prominently displayed an eight and one-half-inch by eleven-inch sign stating: "Warning—Tree Protection Zone—This fence shall not be removed and is subject to penalty according to Town Code 29.10.1025." Text on the signs should be in both English and Spanish (Appendix E).



**All persons, shall comply with the following precautions**

1. Prior to the commencement of construction, install the fence at the dripline, or tree protection zone (TPZ) when specified in an approved arborist report, around any tree and/or vegetation to be retained which could be affected by the construction and prohibit any storage of construction materials or other materials, equipment cleaning, or parking of vehicles within the TPZ. The dripline shall not be altered in any way so as to increase the encroachment of the construction.
2. Prohibit all construction activities within the TPZ, including but not limited to: excavation, grading, drainage and leveling within the dripline of the tree unless approved by the Director.
3. Prohibit disposal or depositing of oil, gasoline, chemicals or other harmful materials within the dripline of or in drainage channels, swales or areas that may lead to the dripline of a protected tree.
4. Prohibit the attachment of wires, signs or ropes to any protected tree.
5. Design utility services and irrigation lines to be located outside of the dripline when feasible.
6. Retain the services of a certified or consulting arborist who shall serve as the project arborist for periodic monitoring of the project site and the health of those trees to be preserved. The project arborist shall be present whenever activities occur which may pose a potential threat to the health of the trees to be preserved and shall document all site visits.
7. The Director and project arborist shall be notified of any damage that occurs to a protected tree during construction so that proper treatment may be administered.

**Prohibited Activities**

The following are prohibited activities within the TPZ:

- Grade changes (e.g. soil cuts, fills);
- Trenches;
- Root cuts;
- Pedestrian and equipment traffic that could compact the soil or physically damage roots;
- Parking vehicles or equipment;
- Burning of brush and woody debris;
- Storing soil, construction materials, petroleum products, water, or building refuse; and,
- Disposing of wash water, fuel or other potentially damaging liquids.



## Monitoring

Any trenching, construction or demolition that is expected to damage or encounter tree roots should be monitored by the project arborist or a qualified ISA Certified Arborist and should be documented.

The site should be evaluated by the project arborist or a qualified ISA Certified Arborist after construction is complete, and any necessary remedial work that needs to be performed should be noted.

## Root Pruning

Roots greater than two inches in diameter shall not be cut. When roots over two inches in diameter are encountered and are authorized to be cut or removed, they should be pruned by hand with loppers, handsaw, reciprocating saw, or chain saw rather than left crushed or torn. Roots should be cut beyond sinker roots or outside root branch junctions and be supervised by the project arborist. When completed, exposed roots should be kept moist with burlap or backfilled within one hour.

## Boring or Tunneling

Boring machines should be set up outside the drip line or established Tree Protection Zone. Boring may also be performed by digging a trench on both sides of the tree until roots one inch in diameter are encountered and then hand dug or excavated with an Air Spade® or similar air or water excavation tool. Bore holes should be adjacent to the trunk and never go directly under the main stem to avoid oblique (heart) roots. Bore holes should be a minimum of three feet deep.

## Tree Pruning and Removal Operations

All tree pruning or removals should be performed by a qualified arborist with a C-61/D-49 California Contractors License. Treatment, including pruning, shall be specified in writing according to the most recent ANSI A-300A Standards and Limitations and performed according to ISA Best Management Practices while adhering to ANSI Z133.1 safety standards. Trees that need to be removed or pruned should be identified in the pre-construction walk through.



**Appendix E: Tree Protection Signs**  
**E1: English**

# **Warning**

# **Tree Protection Zone**

**This Fence Shall Not Be Removed  
And Is Subject To Penalty According To  
Town Code 29.10.1025**





**E2: Spanish**

# **Cuidado Zona De Arbol Pretejido**

Esta valla no podrán ser sacados  
Y está sujeta a sanción en función de  
Código Ciudad del 29.101025



## Qualifications, Assumptions, and Limiting Conditions

Any legal description provided to the consultant is assumed to be correct. Any titles or ownership of properties are assumed to be good and marketable. All property is appraised or evaluated as though free and clear, under responsible ownership and competent management.

All property is presumed to be in conformance with applicable codes, ordinances, statutes, or other regulations.

Care has been taken to obtain information from reliable sources. However, the consultant cannot be responsible for the accuracy of information provided by others.

The consultant shall not be required to give testimony or attend meetings, hearings, conferences, mediations, arbitration, or trials by reason of this report unless subsequent contractual arrangements are made, including payment of an additional fee for such services.

This report and any appraisal value expressed herein represent the opinion of the consultant, and the consultant's fee is not contingent upon the reporting of a specified appraisal value, a stipulated result, or the occurrence of a subsequent event.

Sketches, drawings, and photographs in this report are intended for use as visual aids, are not necessarily to scale, and should not be construed as engineering or architectural reports or surveys. The reproduction of information generated by architects, engineers, or other consultants on any sketches, drawings, or photographs is only for coordination and ease of reference. Inclusion of said information with any drawings or other documents does not constitute a representation as to the sufficiency or accuracy of said information.

Unless otherwise expressed: a) this report covers only examined items and their condition at the time of inspection; and b) the inspection is limited to visual examination of accessible items without dissection, excavation, probing, or coring. There is no warranty or guarantee, expressed or implied, that structural problems or deficiencies of plants or property may not arise in the future.



## Certification of Performance

I Richard Gessner, Certify:

That I have personally inspected the tree(s) and/or the property referred to in this report, and have stated my findings accurately. The extent of the evaluation and/or appraisal is stated in the attached report and Terms of Assignment;

That I have no current or prospective interest in the vegetation or the property that is the subject of this report, and I have no personal interest or bias with respect to the parties involved;

That the analysis, opinions and conclusions stated herein are my own;

That my analysis, opinions, and conclusions were developed and this report has been prepared according to commonly accepted Arboricultural practices;

That no one provided significant professional assistance to the consultant, except as indicated within the report.

That my compensation is not contingent upon the reporting of a predetermined conclusion that favors the cause of the client or any other party, nor upon the results of the assessment, the attainment of stipulated results, or the occurrence of any other subsequent events;

I further certify that I am a Registered Consulting Arborist® with the American Society of Consulting Arborists, and that I acknowledge, accept and adhere to the ASCA Standards of Professional Practice. I am an International Society of Arboriculture Board Certified Master Arborist®. I have been involved with the practice of Arboriculture and the care and study of trees since 1998.

Richard J. Gessner



ASCA Registered Consulting Arborist® #496  
ISA Board Certified Master Arborist® WE-4341B



### Copyright

© Copyright 2021, Monarch Consulting Arborists LLC. Other than specific exception granted for copies made by the client for the express uses stated in this report, no parts of this publication may be reproduced, stored in a retrieval system, or transmitted in any form or by any means, electronic, mechanical, recording, or otherwise without the express, written permission of the author.



*This Page  
Intentionally  
Left Blank*