

**EXHIBIT 8
ORDER FORM
CONTRACT #TRIPS-22-CA-MB-LF-ABC
Standard Cutaway and Minibus Chassis Type Transit Vehicles
ABC Companies**

Contact Information		For Grant Funded Vehicles Only			
Agency Name:	Levy Co	FFY:			
Date:	3/21/2024	Project:	Select One		
PO Number:		UZA:			
Name:	Connie Conley				
Telephone Number:					
Email Address:					
Form Effective Date:					
Chassis Make	Ford E350 7.3L				
Model	Turtle Top Van Terra XLT				
Vehicle Style	Cutaway				
GVWR (lbs)	12,500				
Length (feet)	23				
Useful Life	5 Years/200,000 Miles				
Description	Quantity	UOM	Unit Cost	Extended Cost	
Ford E350 7.3L, Turtle Top Van Terra XLT, Cutaway 23'	1	EA	\$ 126,764.00	\$ 126,764.00	
Standard Seats	4	Per Person	\$ 750.00	\$ 3,000.00	
Fold-Away Seats	6	Per Person	\$ 1,150.00	\$ 6,900.00	
Children's Seat		Per Person	\$ 1,000.00	\$ -	
Paint Scheme 1		EA	\$ 1,132.00	\$ -	
Paint Scheme 2		EA	\$ 1,063.00	\$ -	
Paint Scheme 3		EA	\$ 1,029.00	\$ -	
Item No	Description	Quantity	UOM	Unit Cost	Extended Cost
3.1.2	Compressed Natural Gas (CNG) or Alternative Fuel Engine meeting current EPA requirements Size: Make: Manufacturer:			See Below	
3.1.3	Alternative Fuels, Roush 64 GGE LPG Package Ford E Series		Per Vehicle	\$ 31,515.00	\$ -
3.2.1	MoRYde RSX rear suspension system		Per Vehicle	\$ 3,414.00	\$ -
3.2.2	Kelderman 2-Stage Rear Air Suspension		Per Vehicle	\$ 6,834.00	\$ -
3.2.3	Liquid Spring Suspension System		Per Vehicle	\$ 10,716.00	\$ -
3.3.1	Aluminum wheels		Per Vehicle	\$ 3,756.00	\$ -
3.3.2	Stainless steel wheel liners / inserts, front and rear wheels		Per Vehicle	\$ 399.00	\$ -
3.4.1	Freedman Featherweight High Back rigid frame seats – 3pt		Per Person	\$ 775.00	\$ -
3.4.2	Freedman seat upholstery material provided by CMI Enterprises, or approved equal. Fabric to be CMI DIMENSIONS LATE EVENING, style VP-DIMEN-LEVEN or CMI DIMENSIONS CHARCOAL, style VP-DIMEN-CHAR or approved equal			Standard	
3.4.3	Freedman Featherweight with Dimensions vinyl line of coated transit bus seating fabric with antimicrobial Nanocide, by CMI Enterprises, or approved equal. Fabric to be CMI DIMENSIONS LATE EVENING, style VP- DIMEN-LEVEN or CMI DIMENSIONS CHARCOAL, style VP-DIMEN-CHAR or approved equal			Standard	
3.4.4	Kiel 3-point Standard Seat		Per Person	\$ 835.00	\$ -
3.4.5	Kiel 3-point Foldaway Seat		Per Person	\$ 1,470.00	\$ -

Item No	Description	Quantity	UOM	Unit Cost	Extended Cost
3.4.6	Upgrade interior side wall panels with Nanocide		EA	\$ 1,516.00	\$ -
3.4.6.1	FTA Docket 90 compliant interior sidewall covering		EA	\$ 1,995.00	\$ -
3.4.7	Extend the length of the standard seat belts provided		EA	\$ 45.00	\$ -
3.4.8	Fully encapsulated seat cushioning with FTA Docket 90- A compliant vinyl upholstery.		Per Person	\$ 45.00	\$ -
3.5.1	USSC Evolution G2E with pedestal		EA	\$ 2,240.00	\$ -
3.5.3	Recaro Ergo LXS driver's seat		EA	\$ 1,960.00	\$ -
3.7.1	Alternate slip resistant sheet vinyl flooring			See Below	
3.8.1	Driver Safety Partition		Per Vehicle	\$ 148.00	\$ -
3.9.1	Powder-Coated handrails and stanchions - Multiple Colors		EA	\$ 427.00	\$ -
3.10.1	Remote controlled exterior mirrors	1	Per Vehicle	\$ 393.00	\$ 393.00
3.11.1	Romeo Rim HELP bumper	1	Per Vehicle	\$ 1,134.00	\$ 1,134.00
3.11.2	Hawkeye Reverse Assistance System		Per Vehicle	\$ 1,772.00	\$ -
3.11.3	Reverse camera and monitor backing system (OEM back-up camera is standard on minibus)	1	Per Vehicle	\$ 490.00	\$ 490.00
3.11.4	Blind spot detection system		Per Vehicle	\$ 678.00	\$ -
3.11.5	Collision avoidance system		Per Vehicle	\$ 2,451.00	\$ -
3.13.1	Ricon Klear-View lift on cutaway buses		Per Vehicle	\$ 1,595.00	\$ -
3.13.2	Braun model NVL9171B lift on cutaway buses		Per Vehicle	\$ 545.00	\$ -
3.14.1	SURE-LOK Titan restraint system		Per Person	\$ 1,026.00	\$ -
3.14.2	Q'straint QRT Max restraint system	2	Per Person	\$ 959.00	\$ 1,918.00
3.14.3	AMF Bruns Silver restraint w/ Smartdisc		Per Person	\$ 997.00	\$ -
3.14.3.1	AMF Bruns Platinum restraint w/ Smartdisc		Per Person	\$ 1,248.00	\$ -
3.14.4	Q'straint QRT 360 restraint system		Per Person	\$ 1,222.00	\$ -
3.15.1	Fogmaker complete turn-key automatic fire suppression system.			Standard	
3.15.2	Amerex Small Vehicle System (SMVS) complete turn-key automatic fire suppression powder system		Per Vehicle	\$ (600.00)	\$ -
3.15.3	Kiddie complete turn-key automatic fire suppression system		Per Vehicle	\$ (300.00)	\$ -
3.15.4	Camera systems priced by camera quantity, i.e., 2 camera system, 3 camera system, etc. – MULTIPLE OPTIONS, SEE BELOW			See Below	
3.15.5	Camera system replacement parts			See Below	
3.15.6	In-vehicle computer that allows electronic delivery of passenger manifests, automatic data collection, in- vehicle navigation, and enhanced driver/dispatcher communication			See Below	
3.16.1	Hand-held and hands-free public address (PA) system		EA	\$ 1,077.00	\$ -
3.16.2	Hands free cellular/2-way radio communication system (Motorola)		EA	\$ 6,834.00	\$ -
3.16.3	Upgrade the standard vehicle AM/FM Radio, providing an AM/FM/CD Stereo and MP3 Player with digital clock and front, mid-bus and rear speakers		EA	\$ 552.00	\$ -
3.17.1	Manually operated destination sign – front - Transign		EA	\$ 2,285.00	\$ -
3.17.1.1	Manually operated destination sign – side - Transign		EA	\$ 2,285.00	\$ -
3.17.2	Fully automatic programable destination sign			See Below	
3.21.3	Valeo Stand Alone UV light purifier		EA	\$ 3,921.00	\$ -
3.21.4	HEPA 2 with UV light		EA	\$ 1,276.00	\$ -
3.21.5	BS1000RM-CA 12vdc System - For Cutaway/Paratransit Vehicles with Overhead Rear and/or Front mount Ceiling HVAC (ACC/Valeo, ACT/ProAir, etc.) – (1) System per HVAC		EA	\$ 5,454.00	\$ -

Item No	Description	Quantity	UOM	Unit Cost	Extended Cost
3.21.6	BS2000RT-CA 12vdc System - For Cutaway/Paratransit Vehicles with Roof top Insert HVAC (ACC/Valeo, ACT/ProAir, etc.) – (2) Systems per HVAC		EA	\$ 5,454.00	\$ -
3.21.10	USSC 25ft and smaller Paratransit Van UVPHI--Photo Hydro Ionization		EA	\$ 3,368.00	\$ -
3.21.12	Code 3 Antimicrobial Lighting		EA	\$ 1,556.00	\$ -
3.22.1	Rotating Hinge Side Barrier (E350, E450, Chevy 3500 and Chevy 4500)		EA	\$ 1,026.00	\$ -
Other Available Options					
3.23.4	AngelTrax, Vulvan V862HC, 4 Cameras, 1TB HD, 64GB SD Card, Panic Button		EA	\$ 3,361.00	\$ -
3.23.5	AngelTrax, Vulvan V1284HC, 4 Cameras, 1TB HD, 64GB SD Card, Panic Button		EA	\$ 4,747.00	\$ -
3.23.6	AngelTrax, Add (1) Additional Camera to Installed System		EA	\$ 495.00	\$ -
3.23.7	AngelTrax Tri-Mode Roof Mounted Antenna		EA	\$ 259.00	\$ -
3.23.8	AngelTrax Vulcan Series WiFi/Cellular GPS Tri-Mode Antenna		EA	\$ 209.00	\$ -
3.23.9	AngelTrax Sierra 4G Wireless Cellular Modem		EA	\$ 199.00	\$ -
3.24.1	AngelTrax 3G/4G Cellular Modem w/ WiFi		EA	\$ 662.00	\$ -
3.24.2	AngelTrax 2TB Platter HD (Requires HD Tray)		EA	\$ 121.00	\$ -
3.24.3	AngelTrax Vulcan Series Touchscreen		EA	\$ 279.00	\$ -
3.24.4	AngelTrax 512GB SD Solid-State Memory Card		EA	\$ 169.00	\$ -
3.24.5	AngelTrax 2TB, 3.5" Platter Hard Drive (Requires HD Tray)		EA	\$ 149.00	\$ -
3.24.6	AngelTrax 4TB, 3.5" Platter Hard Drive (Requires HD Tray)		EA	\$ 229.00	\$ -
3.24.7	AngelTrax 6TB, 3.5" Platter Hard Drive (Requires HD Tray)		EA	\$ 379.00	\$ -
3.24.8	AngelTrax 3.5" HD Tray		EA	\$ 119.00	\$ -
3.24.9	AngelTrax Security Key USB 3.0 Vulcan Series VX5AI		EA	\$ 89.00	\$ -
3.25.1	AngelTrax Security Key USB 3.0 Vulcan Series HC MNVRs		EA	\$ 99.00	\$ -
3.25.2	AngelTrax Vulcan Series Passenger Monitor		EA	\$ 399.00	\$ -
3.25.3	AngelTrax AVCT017 Monitor Cable		EA	\$ 49.00	\$ -
3.25.4	AngelTrax CP4-TRFCBL, Signage Cable		EA	\$ 59.00	\$ -
3.25.5	AngelTrax, HD2500V, HD Low Profile Camera, 2.5mm		EA	\$ 329.00	\$ -
3.25.6	AngelTrax, HD3600V, HD Low Profile Camera, 3.6mm		EA	\$ 329.00	\$ -
3.25.7	AngelTrax, HD 3600WS, Windshield Camera		EA	\$ 329.00	\$ -
3.25.8	AngelTrax, IPX2800, IP Camera, 2.8mm		EA	\$ 389.00	\$ -
3.25.9	Luminator/Apollo, Roadrunner AHDR08, 2 Cameras, 2TB HD, Event Switch		EA	\$ 5,847.00	\$ -
3.26.1	Luminator/Apollo, Roadrunner AHDR08, 4 Cameras, 2TB HD, Event Switch		EA	\$ 6,655.00	\$ -
3.26.2	Luminator/Apollo, Roadrunner, AHDR16, 8 Cameras, 2TB HD, Event Switch		EA	\$ 8,740.00	\$ -
3.26.3	Luminator/Apollo, Roadrunner AHDR16, 12 Cameras, 2TB HD, Event Switch		EA	\$ 11,253.00	\$ -
3.26.4	Luminator/Apollo, Add (1) Camera to Installed System		EA	\$ 545.00	\$ -
3.26.5	Luminator/Apollo, AHD Camera, Fixed Forward Facing Dome		EA	\$ 322.00	\$ -
3.26.6	Luminator/Apollo, AHD Camera, Color Interior Dome w/ IR		EA	\$ 231.00	\$ -
3.26.7	Luminator/Apollo, Camera Cable Assembly 20-45' Video, Audio & Power		EA	\$ 39.00	\$ -
3.26.8	Luminator/Apollo, AHD Camera, Color Exterior Wedge		EA	\$ 295.00	\$ -
3.26.9	Luminator/Apollo, AHD Camera Miniature Tapered UV Dome, Ceiling Mount		EA	\$ 197.00	\$ -

Item No	Description	Quantity	UOM	Unit Cost	Extended Cost
3.27.1	Luminator/Apollo, AHDR Removable HDD, 2TB		EA	\$ 273.00	\$ -
3.27.2	Luminator/Apollo, GPS 28dB, Low Noise 20' Cable MSMA		EA	\$ 90.00	\$ -
3.27.3	Luminator/Apollo, Analog HD Recorder Installation Kit		EA	\$ 113.00	\$ -
3.27.4	Luminator/Apollo, Analog HD 8 Camera Mobile Recorder, Software, Power Cable, Accelerometer, Event Switch, Heater (HDD sold separately)		EA	\$ 2,516.00	\$ -
3.27.5	Luminator/Apollo, Analog HD 16 Camera Mobile Recorder, Software, Power Cable, Accelerometer, Event Switch, Heater (HDD sold separately)		EA	\$ 3,180.00	\$ -
3.27.6	REI, HD6, 2 Cameras, 500GB HD, VMS Software	1	EA	\$ 3,542.00	\$ 3,542.00
3.27.7	REI, HD12, 5 Cameras, 1TB HD, VMS Software		EA	\$ 5,984.00	\$ -
3.27.8	REI, Add (1) Additional Camera to Installed System	2	EA	\$ 715.00	\$ 1,430.00
3.27.9	REI, Additional AHD Camera		EA	\$ 187.00	\$ -
3.28.1	REI, Additional IP Camera		EA	\$ 437.00	\$ -
3.28.2	REI, Upgrade 500GB to 1TB Hard Drive		EA	\$ 187.00	\$ -
3.28.3	REI, Upgrade 1TB HDD to 1TB SSD		EA	\$ 125.00	\$ -
3.28.4	REI, Upgrade 1TB HDD to 2TB SSD		EA	\$ 250.00	\$ -
3.28.5	REI, Upgrade 1TB HDD to 4TB SSD		EA	\$ 875.00	\$ -
3.28.6	REI, Upgrade 500GB to 1TB Hard Drive		EA	\$ 281.00	\$ -
3.28.7	REI, Replacement 1TB Hard Drive		EA	\$ 437.00	\$ -
3.28.8	REI, Replacement 1TB SSD		EA	\$ 562.00	\$ -
3.28.9	REI, Replacement 2TB SSD		EA	\$ 750.00	\$ -
3.29.1	REI, Replacement 4TB SSD		EA	\$ 1,562.00	\$ -
3.29.2	REI, Replacement Interior Eyeball/MiniDome/Exterior EB Camera		EA	\$ 231.00	\$ -
3.29.3	REI, Replacement Windshield/MiniDome IP Camera		EA	\$ 437.00	\$ -
3.29.4	REI, Cellular Router		EA	\$ 1,062.00	\$ -
3.29.5	REI, Analog Camera Cable 15' to 25'		EA	\$ 37.00	\$ -
3.29.6	REI, Analog Camera Cable 30' to 60'		EA	\$ 63.00	\$ -
3.29.7	REI, HD5 CAT6 Network Cable 25'		EA	\$ 31.00	\$ -
3.29.8	REI, HD5 CAT6 Network Cable 40'		EA	\$ 41.00	\$ -
3.29.9	REI, HD6 IP Camera Cable, 25'		EA	\$ 34.00	\$ -
3.30.1	REI, HD6 IP Camera Cable, 40'		EA	\$ 44.00	\$ -
3.30.2	REI, Event Marker w/ Panic Button & 20' Cable		EA	\$ 67.00	\$ -
3.30.3	REI, GPS Antenna		EA	\$ 137.00	\$ -
3.30.4	REI, Wi-Fi/LTE Cellular GPS Combo Antenna		EA	\$ 212.00	\$ -
3.30.5	REI Communications Module		EA	\$ 500.00	\$ -
3.30.6	REI, Replacement HD6-600 DVR		EA	\$ 1,062.00	\$ -
3.30.7	REI, Replacement HD6-600W DVR		EA	\$ 1,250.00	\$ -
3.30.8	REI, Replacement HD5-1200W DVR		EA	\$ 1,875.00	\$ -
3.30.9	REI, Replacement HD6-600C DVR		EA	\$ 1,593.00	\$ -
3.31.1	REI, Replacement HD5-1200WC DVR		EA	\$ 2,218.00	\$ -
3.31.2	Safe Fleet, Seon DH4, 4 Cameras, 1TB HD, Panic Button		EA	\$ 3,702.00	\$ -
3.31.3	Safe Fleet, Seon DH8, 8 Cameras, 2TB HD, Panic Button		EA	\$ 7,095.00	\$ -
3.31.4	Safe Fleet, Seon DH4 & DH8, 12 Cameras, 2TB HD, Panic Button		EA	\$ 9,686.00	\$ -
3.31.5	Safe Fleet, Add (1) Additional Camera to Installed System		EA	\$ 545.00	\$ -
3.31.6	Safe Fleet, HD 720P Camera, Dome 2.6mm Internal IR		EA	\$ 220.00	\$ -
3.31.7	Safe Fleet, HD 720P Camera, Dome 3.6mm Internal IR		EA	\$ 220.00	\$ -
3.31.8	Safe Fleet, HD Camera, Wedge 2.8mm External IR		EA	\$ 320.00	\$ -
3.31.9	Safe Fleet, HD Camera, Wedge 3.6mm External IR		EA	\$ 320.00	\$ -
3.32.1	Safe Fleet, HD 1080P Camera, Dome 2.5mm Internal IR		EA	\$ 240.00	\$ -

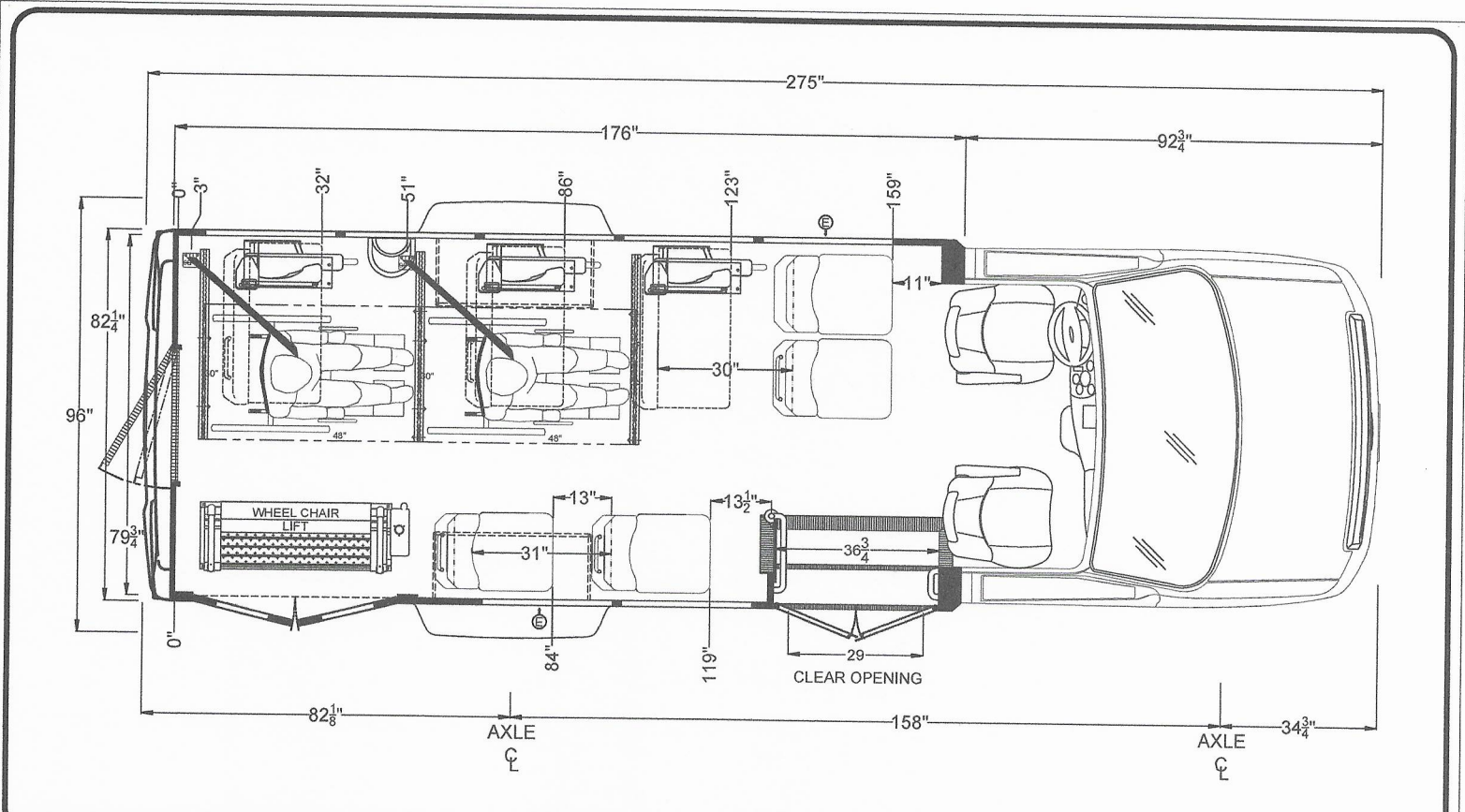
Item No	Description	Quantity	UOM	Unit Cost	Extended Cost
3.32.2	Safe Fleet, HD 1080P Camera, Dome 3.6mm Internal IR		EA	\$ 220.00	\$ -
3.32.3	Safe Fleet, HD 1080P Camera, Dome 2.8mm Internal IR		EA	\$ 250.00	\$ -
3.32.4	Safe Fleet, HD 1080P Camera, Dome 3.6mm Internal IR		EA	\$ 250.00	\$ -
3.32.5	Safe Fleet, HD Camera, Wedge 2.8mm External IR		EA	\$ 325.00	\$ -
3.32.6	Safe Fleet, HD Camera, Wedge 3.6mm External IR		EA	\$ 325.00	\$ -
3.32.7	Safe Fleet, Dual Lens Cam 1080P		EA	\$ 301.00	\$ -
3.32.8	Safe Fleet, IP Camera, PoE Dome White 3MP Progressive Scan		EA	\$ 351.00	\$ -
3.32.9	Safe Fleet, IP Camera, PoE Dome Black 3MP Progressive Scan w/ Forward Facing Bracket		EA	\$ 487.00	\$ -
3.30.1.A	Safe Fleet, IP Camera, PoE Wedge, 3MP Progressive Scan, Exterior		EA	\$ 465.00	\$ -
3.30.2.B	Safe Fleet, H Series Storage Cartridge, 1TB HDD		EA	\$ 280.00	\$ -
3.30.3.C	Safe Fleet, H Series Storage Cartridge, 2TB HDD		EA	\$ 387.00	\$ -
3.30.4.D	Safe Fleet, H Series Storage Cartridge, 500GB HDD		EA	\$ 173.00	\$ -
3.30.5.E	TSI, Nexus NVR, 2 Cameras, 1TB HD, Event Button		EA	\$ 6,804.00	\$ -
3.30.6.F	TSI, Add (1) Camera to Installed System		EA	\$ 875.00	\$ -
3.30.7.G	TSI, Nexus HVR 2TB SSD		EA	\$ 862.00	\$ -
3.30.8.H	TSI, Nexus HVR 4TB SSD		EA	\$ 1,612.00	\$ -
3.30.9.I	TSI, Nexus HVR 8TB SSD		EA	\$ 3,375.00	\$ -
3.31.1.A	TSI, Nexus NVR-V		EA	\$ 2,562.00	\$ -
3.31.2.B	TSI, Slim Line IR Wedge, 3MP IP Camera & Cable		EA	\$ 341.00	\$ -
3.31.3.C	TSI, Wireless 802.11ac Access Point, Antenna & Mounting Bracket		EA	\$ 987.00	\$ -
3.31.4.D	TSI, Nexus HVR Lockable Enclosure w/ L Bracket		EA	\$ 325.00	\$ -
3.31.5.E	TSI, Nexus NVR, 1TB SSD, (2) IP Cameras, Garmin GPS Receiver, TSI Event Button, LED Status Indicator, Cable Kit (Not Installed)		EA	\$ 4,052.00	\$ -
3.31.6.F	TSI, Nexus NVR 2TB SSD, (4) IP Cameras, Garmin GPS Receiver, TSI Event Button, LED Status Indicator, Cable Kit (Not Installed)		EA	\$ 5,161.00	\$ -
3.31.7.G	TSI, Nexus NVR 2TB SSD, (6) IP Cameras, Garmin GPS Receiver, TSI Event Button, LED Status Indicator, Cable Kit (Not Installed)		EA	\$ 5,735.00	\$ -
3.31.8.H	TSI, Nexus NVR, 2TB SSD, (8) IP Cameras, Garmin GPS Receiver, TSI Event Button, LED Status Indicator, Cable Kit (Not Installed)		EA	\$ 6,418.00	\$ -
3.31.9.I	Arm Rest, Molded US Flip-Up, Per Arm		EA	\$ 46.00	\$ -
3.32.1.A	Freedman 3pt, Per Person		Per Person	\$ 775.00	\$ -
3.32.2.B	Freedman 3pt Foldaway, Per Person		Per Person	\$ 1,430.00	\$ -
3.32.3.C	Freedman 3pt Flip, Per Person		Per Person	\$ 975.00	\$ -
3.32.4.D	Freedman Featherweight Mid High, Non Retractable Lap Belt, Per Person		Per Person	\$ 470.00	\$ -
3.32.5.E	Freedman Featherweight Mid High Foldaway, Non Retractable Lap Belt, Per Person		Per Person	\$ 765.00	\$ -
3.32.6.F	Freedman Featherweight Mid High Foldaway, Non Retractable Lap Belt, Per Person		Per Person	\$ 915.00	\$ -
3.32.7.G	Freedman USR Belt, Per Person		Per Person	\$ 93.00	\$ -
3.32.8.H	Freedman Level #5, Per Passenger		Per Person	\$ 23.00	\$ -
3.32.9.I	Freedman Level #6, Per Passenger		Per Person	\$ 28.00	\$ -
3.33.1	Freedman 19" Wide Seat Option		EA	\$ 32.00	\$ -
3.33.2	Freedman CRS 225 Hooks, Per Passenger		Per Person	\$ 109.00	\$ -
3.33.4	Freedman Go-ES XL, Per Passenger		Per Person	\$ 2,691.00	\$ -
3.33.5	Freedman Seat Link Head Unit		Per Person	\$ 1,213.00	\$ -
3.33.6	Freedman Seat Link, Per Passenger		Per Person	\$ 408.00	\$ -

Item No	Description	Quantity	UOM	Unit Cost	Extended Cost
3.33.7	Freedman Sport 2.0 Driver's Seat, With Arm Rest & Adnik Power Pedestal		EA	\$ 1,618.00	\$ -
3.33.8	Freedman Seat Bands & Triangles, Per Passenger		Per Person	\$ 86.00	\$ -
3.33.9	Freedman Grab Rail Cover, Per Passenger		Per Person	\$ 22.00	\$ -
3.34.1	Freedman Sneeze Guard, Per Passenger		Per Person	\$ 75.00	\$ -
3.34.2	USB Charging Ports (Dual USB), Per Unit		EA	\$ 155.00	\$ -
3.34.3	Sportworks Bike Rack (2 Bike)		EA	\$ 3,938.00	\$ -
3.34.4	Romeo Help Bumper, Front		EA	\$ 2,064.00	\$ -
3.34.5	Farebox Rail/Prewire		EA	\$ 454.00	\$ -
3.34.6	Diamond Farebox, NV – 1 Vault		EA	\$ 3,185.00	\$ -
3.34.7	Diamond Farebox, XV – 1 Vault		EA	\$ 4,059.00	\$ -
3.34.8	Diamond Farebox, SV – 1 Vault		EA	\$ 4,508.00	\$ -
3.34.9	Extra Vault – NV		EA	\$ 493.00	\$ -
3.35.1	Extra Vault – XV		EA	\$ 662.00	\$ -
3.35.2	Extra Vault - SV		EA	\$ 695.00	\$ -
3.35.3	Mechanical Catalytic Converter Theft Prevention Device		EA	\$ 661.00	\$ -
3.35.4	Intermotive Idle Lock System		EA	\$ 741.00	\$ -
3.35.5	Full Length L Track in Floor (Per Foot)		Foot	\$ 82.00	\$ -
3.35.6	Full Length L Track on Sidewall (Per Foot)		Foot	\$ 82.00	\$ -
3.35.7	Master Battery Cutoff Switch		EA	\$ 109.00	\$ -
3.35.8	"Shallco" Current Sensing Switch		EA	\$ 799.00	\$ -
3.35.9	Blackout of Window Area		EA	\$ 684.00	\$ -
3.36.1	Skirting Painted (Pair)		EA	\$ 1,063.00	\$ -
3.36.2	Full Body Paint w/ Cab – Single Color		EA	\$ 4,134.00	\$ -
3.36.3	High End Clearcoat for Full Body Paint		EA	\$ 1,138.00	\$ -
3.36.4	Rear Sumo Spring Kit – E Series		EA	\$ 948.00	\$ -
3.36.5	Bonded Window (Per Window)		EA	\$ 281.00	\$ -
3.36.6	Engine Hour Meter		EA	\$ 92.00	\$ -
3.36.7	Stop Request System – Includes Pull Cord Above Windows, 3 Push Buttons, Lighted Sign and Dual Chime Buzzer		EA	\$ 1,138.00	\$ -
3.36.8	Additional Push Button – Stop Request		EA	\$ 109.00	\$ -
3.36.9	Deceleration Lights		EA	\$ 621.00	\$ -
3.37.1	"Watch Your Step" – Die cut Top Step Riser		EA	\$ 166.00	\$ -
3.37.3	Braun NCL1000 Lift (Upgrade from Standard)	1	EA	\$ 534.00	\$ 534.00
3.37.4	Braun Wheelchair Lift Padding Kit		EA	\$ 345.00	\$ -
3.37.5	Braun Wheelchair Lift Pendant Holder		EA	\$ 109.00	\$ -
3.37.6	TDSS – Tie Down Storage System	2	EA	\$ 115.00	\$ 230.00
3.37.7	Q-Straint Deluxe, Slide N Click, Installed		EA	\$ 897.00	\$ -
3.37.8	Q-Straint Deluxe, Slide N Click, Floor Anchors, Retractors Retractable Lap & Shoulder Belt, Shipped Loose		EA	\$ 585.00	\$ -
3.37.9	Q-Straint Max, Slide N Click, Floor Anchors, Retractors, Retractable Lap & Shoulder Belt, Shipped Loose		EA	\$ 588.00	\$ -
3.38.1	Q-Straint QRT360, Slide N Click, Floor Anchors, Retractors Retractable Lap & Shoulder Belt, Shipped Loose		EA	\$ 777.00	\$ -
3.38.2	Q-Straint Webbing Loops (4)		EA	\$ 18.00	\$ -
3.38.3	Extended R.H. Assist Rail, 18"		EA	\$ 123.00	\$ -
3.38.4	Extended R.H. Assist Rail, 36" (Upgrade of 18")		EA	\$ 134.00	\$ -
3.38.5	Standee Pole w/ Assist, R.H. Entry		EA	\$ 392.00	\$ -
3.38.6	Hanover 12V Front/Side Amber Destination Signs		EA	\$ 6,468.00	\$ -
3.38.7	Luminator Mobilite 12V Front/Side Destination Signs		EA	\$ 6,199.00	\$ -
3.38.8	Luminator Smart Series Front/Side Amber Destination Signs		EA	\$ 8,019.00	\$ -

Item No	Description	Quantity	UOM	Unit Cost	Extended Cost
3.38.9	Transign LED Destinator Front/Side Amber Destination Signs		EA	\$ 6,210.00	\$ -
3.39.1	Motorola APX System, 7/800 MHZ, WiFi Antenna, Smart Visor Mic, Footswitch		EA	\$ 6,894.00	\$ -
3.39.2	Motorola Solutions, APX 1500 7/800MHZ Mobile (Installation Not Included)		EA	\$ 1,695.00	\$ -
3.39.3	Motorola Solutions, Add 3600 or 9500 Trunking Baud, Single System		EA	\$ 1,575.00	\$ -
3.39.4	Motorola Solutions, APX O2 Control Head		EA	\$ 493.00	\$ -
3.39.5	Motorola Solutions, Dash Mount		EA	\$ 125.00	\$ -
3.39.6	Motorola Solutions, Antenna, 3DB Low Profile		EA	\$ 42.00	\$ -
3.39.7	Motorola Solutions, OTA Provisioning		EA	\$ 100.00	\$ -
3.39.8	Motorola Solutions, 3 Year Essential Service		EA	\$ 181.00	\$ -
3.39.9	Motorola Solutions, TDMA Operation		EA	\$ 451.00	\$ -
3.40.1	Motorola Solutions, Palm Microphone		EA	\$ 72.00	\$ -
3.40.2	Motorola Solutions, Mobile Radio Authentication		EA	\$ 100.00	\$ -
3.40.3	Motorola Solutions XPR5500e 40W, UHF		EA	\$ 1,260.00	\$ -
3.40.4	Motorola Solutions, HLN5113B, Emergency Footswitch		EA	\$ 112.00	\$ -
3.40.5	Motorola Solutions, Antenna Kit, UHF		EA	\$ 93.00	\$ -
3.40.6	Motorola Solutions, PMAN4000A, GPS Antenna		EA	\$ 125.00	\$ -
3.40.7	Trapeze 2023 Vontas Ranger-4 System, EVDO Octopus, Ram Mount, 5" Extension, Ranger Mobility & FastNav		EA	\$ 7,688.00	\$ -
3.40.8	Trapeze 2023 Vontas Ranger-4 System, Basic (Installation Not Included)		EA	\$ 4,472.00	\$ -
3.40.9	Trapeze Technical Services		EA	\$ 2,187.00	\$ -
3.41.1	Trapeze Extended Warranty – Year 1		EA	\$ 163.00	\$ -
3.41.2	Trapeze Extended Warranty – Year 2 (Year 1 Required)		EA	\$ 181.00	\$ -
3.41.3	Trapeze Extended Warranty – Year 3 (Year 1 & 2 Required)		EA	\$ 197.00	\$ -
3.41.4	Trapeze Extended Warranty – Year 4 (Year 1, 2, 3 Required)		EA	\$ 230.00	\$ -
3.41.5	Trapeze Paratransit Mobility Application		EA	\$ 340.00	\$ -
3.41.6	Trapeze Navigation Software (FastNav)		EA	\$ 340.00	\$ -
3.41.7	Trapeze xMobile Manager		EA	\$ 170.00	\$ -
3.41.8	Trapeze xGate Per Vehicle License		EA	\$ 170.00	\$ -
3.41.9	Trapeze, Ranger 4.4/Trapeze Logo Verizon WiFi/BT, CE6, Octopus Main Cable		EA	\$ 3,437.00	\$ -
3.42.1	Trapeze, Base 2.43" Diameter, 1.5" Size C Ball		EA	\$ 18.00	\$ -
3.42.2	Trapeze, Arm, Double Socket, 1.5" Size C Ball, 4.5" Length		EA	\$ 64.00	\$ -
3.42.3	Trapeze, Cable Cat5e, UTP, Molded Boot, 10ft		EA	\$ 8.00	\$ -
3.42.4	Trapeze Power Cable, 10ft, DC, MG90		EA	\$ 79.00	\$ -
3.42.5	Trapeze, Antenna, 6 in 1, Dome, 3 x WiFi, 2 x LTE, GPS, Bolt Mount, 5M Cable		EA	\$ 586.00	\$ -
3.44.4	ABB DCWB 24KW Charger (No connection or install)		EA	\$ 22,304.00	\$ -
3.44.5	ABB Terra 184KW Dual Dispenser Charger (No connection or install)		EA	\$ 116,058.00	\$ -
3.44.6	ABB Terra 54KW DC Fast Charger, Single Dispenser (No connection or install)		EA	\$ 43,202.00	\$ -
3.44.7	ABB Heavy Vehicle Charger, Triple Dispenser (No connection or install)		EA	\$ 137,832.00	\$ -
3.45.6	A-1 Alternative Fuels, Landi Renzo 28GGE CNG Package – Ford E Series		EA	\$ 25,730.00	\$ -

Item No	Description	Quantity	UOM	Unit Cost	Extended Cost
3.45.7	A-1 Alternative Fuels, Landi Renzo 40GGE CNG Package – Ford E Series		EA	\$ 29,402.00	\$ -
3.45.9	A-1 Alternative Fuels, Roush 41GGE LPG Package – Ford E Series		EA	\$ 24,826.00	\$ -
3.46.3	A-1 Alternative Fuels, 5000 Series High Flow Fuel Receptacle		EA	\$ 300.00	\$ -
3.46.4	A-1 Alternative Fuels, Door for Skirt Mounted FMM		EA	\$ 300.00	\$ -
3.46.5	Avail System – Lakeland/Citrus Flex Specs – IVU3 Control Module, 10" Operator Display, WR54 Mobile Gateway Router, 4-in-1 Antenna, PA Amplifier, 16 Character LED Sign, APC Module, Passenger Door Sensor, Farebox Interface		EA	\$ 47,300.00	\$ -
3.46.6	Avail System – Lakeland/Citrus Paratransit Specs – IVU3 Control Module, 10" Operator Display, WR54 Mobile Gateway Router, 4-in-1 Antenna		EA	\$ 37,325.00	\$ -
3.46.7	Avail System – Votran Specs – IVU3 Control Module, 10" Operator Display, WR54 Mobile Gateway Router, Kenwood Radio, 5-in-1 Antenna		EA	\$ 38,240.00	\$ -
3.46.8	Spheros, TC60 w/Heat, MDS Controller, TM21 Compressor, Ford E Series Only		EA	\$ 4,485.00	\$ -
3.47.8	Trans Air, TA73 Evaporator w/Heat, R60 Roof Top Condenser, EC4.0 Electronic Controls, 13CID Compressor, VT156 Only		EA	\$ (900.00)	\$ -
3.47.9	Trans Air, TA73 Evaporator w/Heat, R60 Roof Top Condenser, EC4.0 Electronic Controls, 15CID Compressor, VT176 Only		EA	\$ (425.00)	\$ -
3.49.9	Altro Meta Floor Covering		EA	\$ 210.90	\$ -
3.50.1	Altro Wood Floor Covering		EA	\$ 524.00	\$ -
3.50.5	Wave/Ideanomics 250kW Primary Unit – In Ground		EA	\$ 281,750.00	\$ -
3.50.6	Wave/Ideanomics 2:1 250kW Primary Unit – 125kW Charging – In Ground		EA	\$ 310,500.00	\$ -
3.50.7	Wave/Ideanomics 250kW Secondary Unit – Vehicle Side		EA	\$ 61,525.00	\$ -
3.50.8	Wave/Ideanomics 250kW Secondary Unit – 125kW – Vehicle Side (Quantity 2)		EA	\$ 69,000.00	\$ -
3.50.9	Sportworks Bike Rack, DL2 Black – Shipped Loose		EA	\$ 1,680.00	\$ -
TOTAL					\$ 146,335.00
DEDUCTION TOTAL					\$ -
GRAND TOTAL					\$ 146,335.00

Per Vendor – Add an additional \$4,500.00 ^{4,500} \$152,835.00 to allow for price increase, for orders placed after July 1, 2024.



NOTES

FILE NAME: 240325-A2_SD29_4 FW_3 DBL FOLDAWAY_2 WC

CONTACT TURTLE TOP AT 800-298-2105 FOR AVAILABILITY OF THIS FLOOR LAYOUT IF DRAWING DATE HAS EXCEEDED 90 DAYS. DATE: 3/25/2024

DRIVER SIDE- 7.125 / 29 / 2 / 2-3-4-5 / 11.875 / 4
 WINDOW SPACING: STANDARD VISTA HEIGHT ELITE TOP "T" SLIDERS
 PASSENGER SIDE- 2 / 51.75 / 15.375 / 29 / 2 / 29 / 4.875 / 36.75 / 11 / 4

"THIS DRAWING AND THE INFORMATION CONTAINED THEREON ARE THE EXCLUSIVE PROPERTY OF TURTLE TOP AND SHALL NOT BE COPIED OR DUPLICATED IN ANY MANNER WITHOUT OUR WRITTEN CONSENT"

DRAFTSMAN NOTES:

TURTLETOP
 "To furnish the customer the best mid-sized bus in the industry in both quality of material and workmanship."



TURTLE TOP BODY MODEL: VANTRERA XLT			OVER ALL LENGTH: 22' 11.5"	CHASSIS MAKE: FORD E350	ORDER NUMBER: QUOTE
DRAFTSMAN: AND	REVISION: ORG.	SCALE: DNS	FLOOR LENGTH: 176"	CHASSIS FUEL TYPE: GAS	CHASSIS GVWR: 12,500 lbs.
DIMENSIONING TOLERANCE = +/- .3"					DRAWING NUMBER: 240325-A2