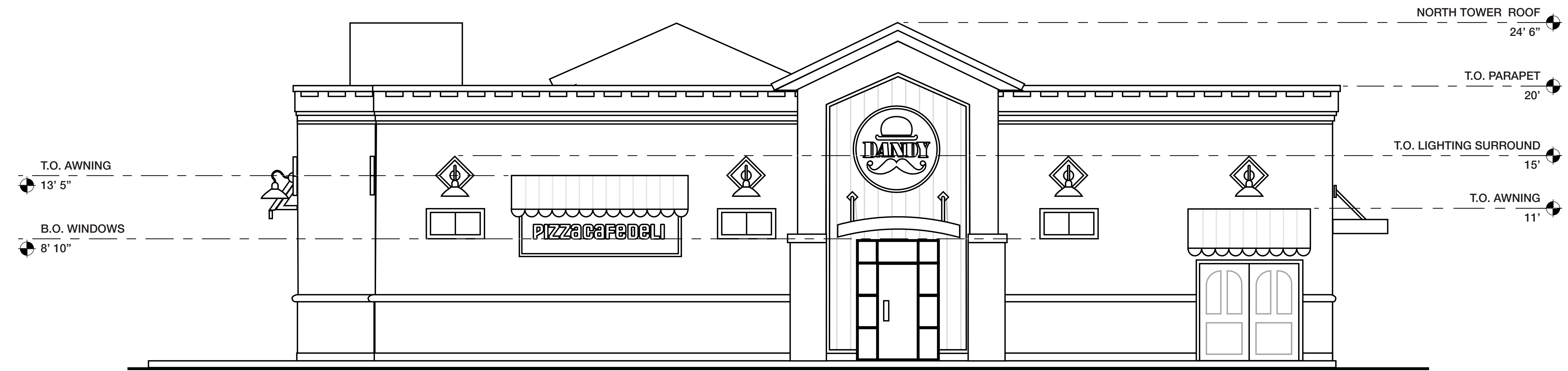
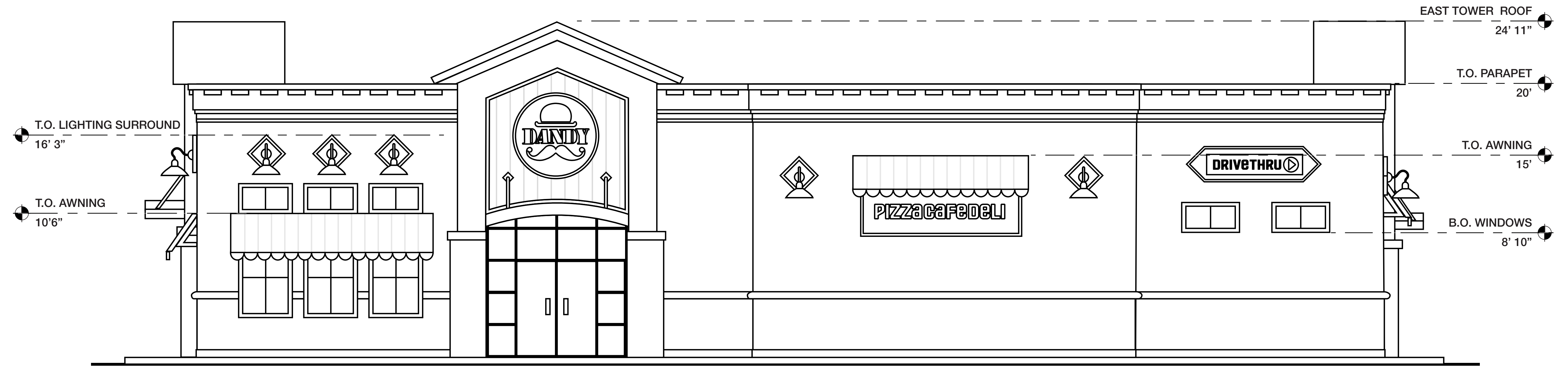


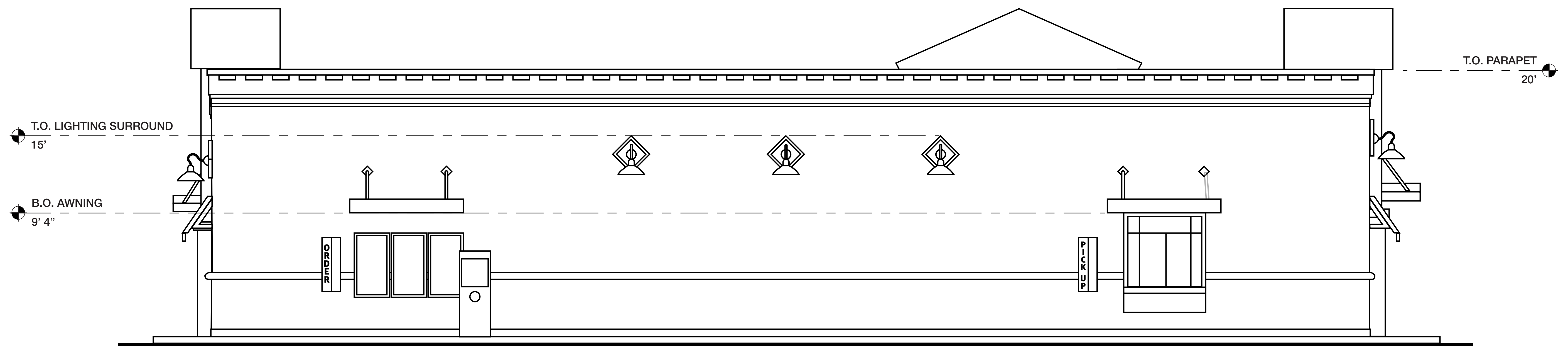
① SOUTH ELEVATION  
1/4" = 1'-0"



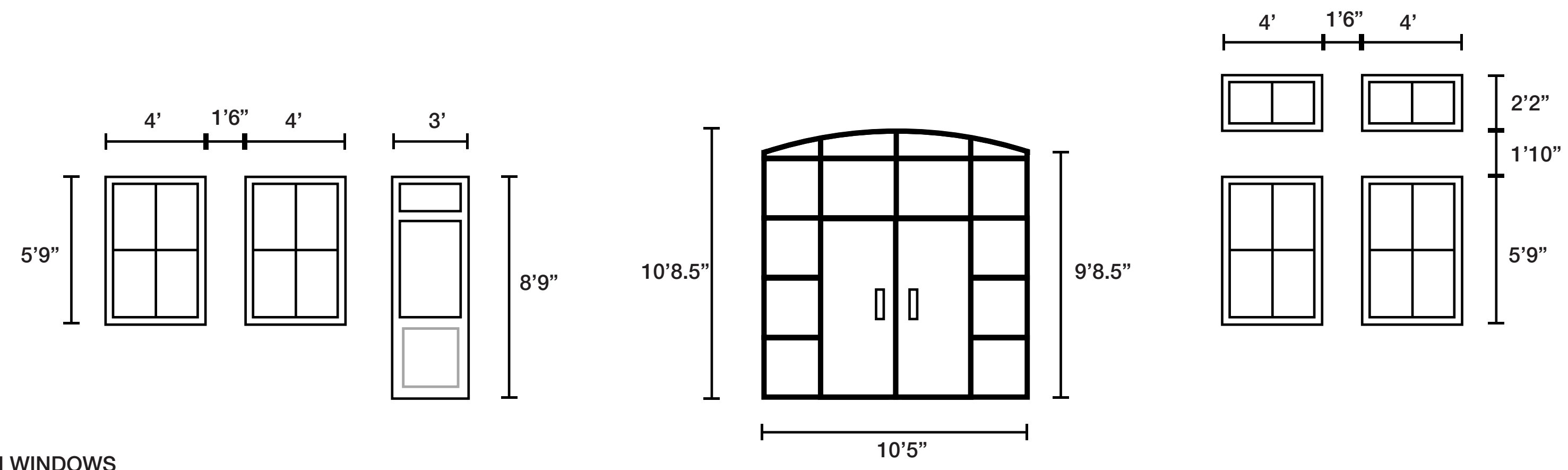
② NORTH ELEVATION  
1/4" = 1'-0"



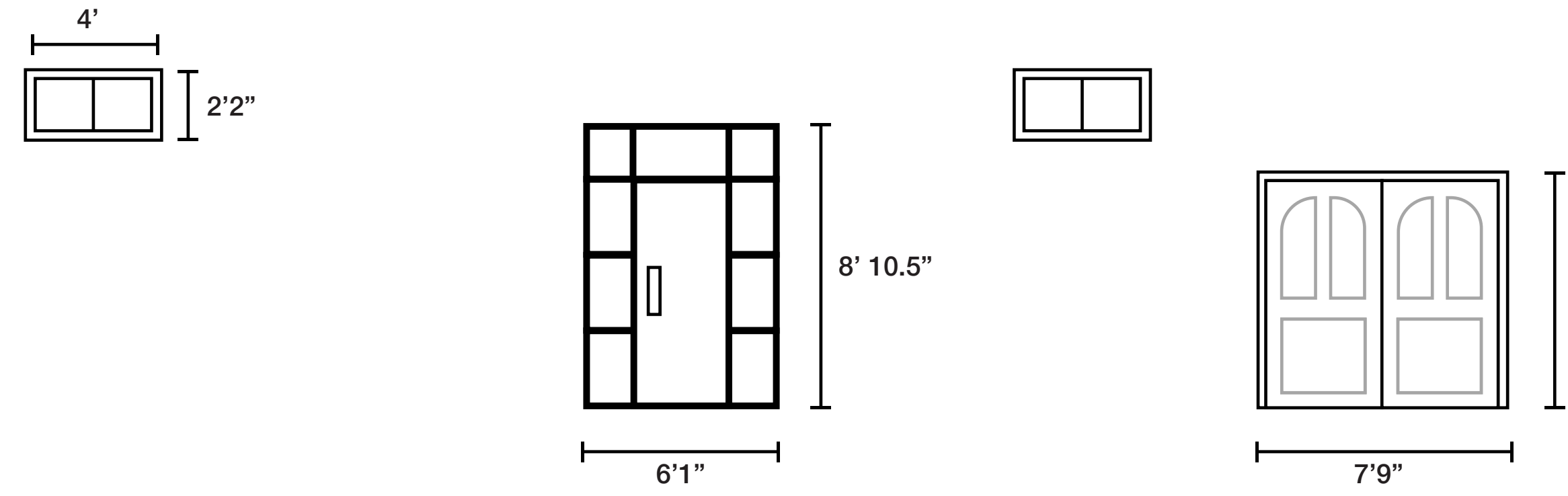
③ EAST ELEVATION  
1/4" = 1'-0"



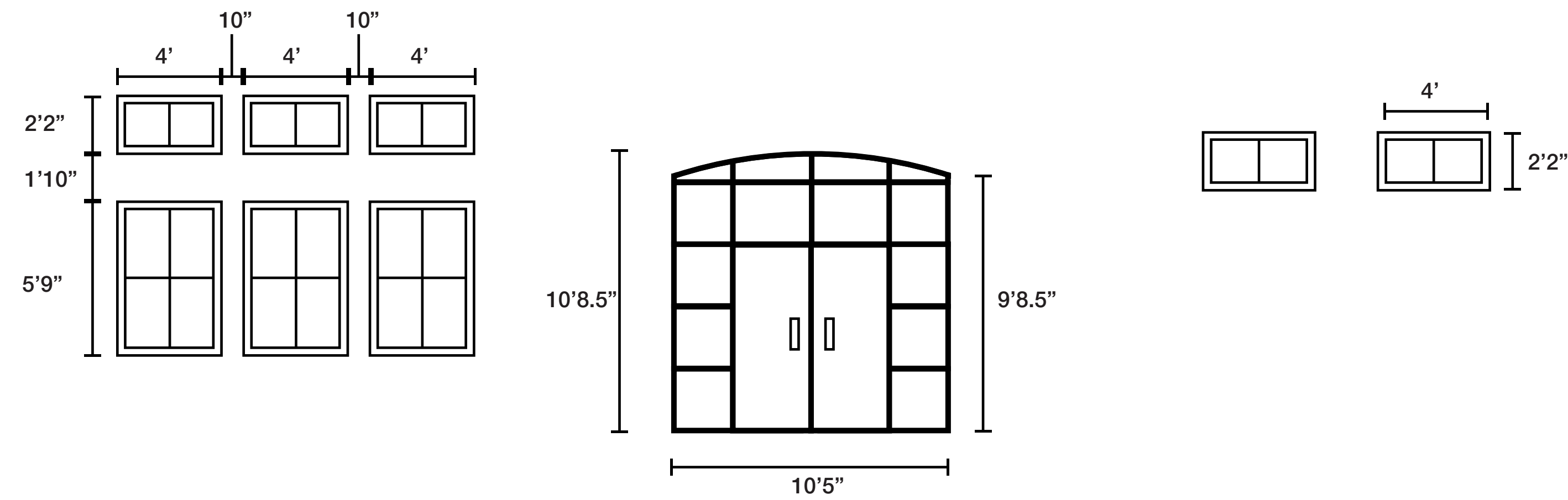
④ WEST ELEVATION  
1/4" = 1'-0"



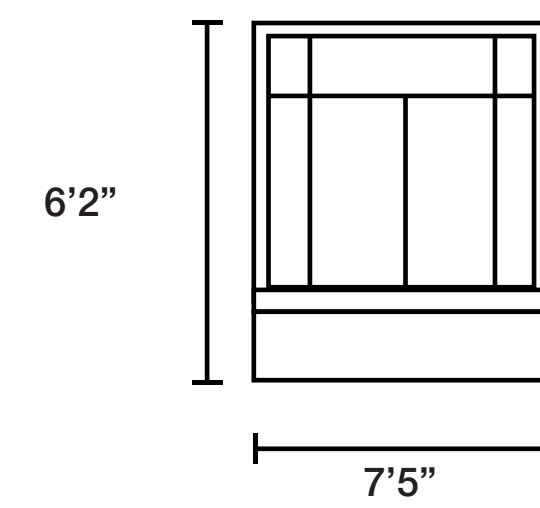
① SOUTH WINDOWS  
1/4" = 1'-0"



② NORTH WINDOWS  
1/4" = 1'-0"



③ EAST WINDOWS  
1/4" = 1'-0"



③ WEST WINDOWS  
1/4" = 1'-0"