

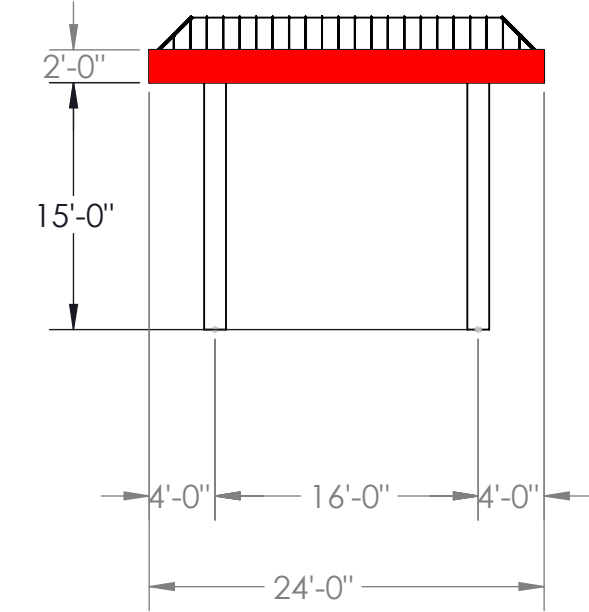
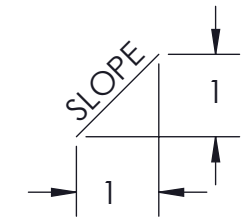
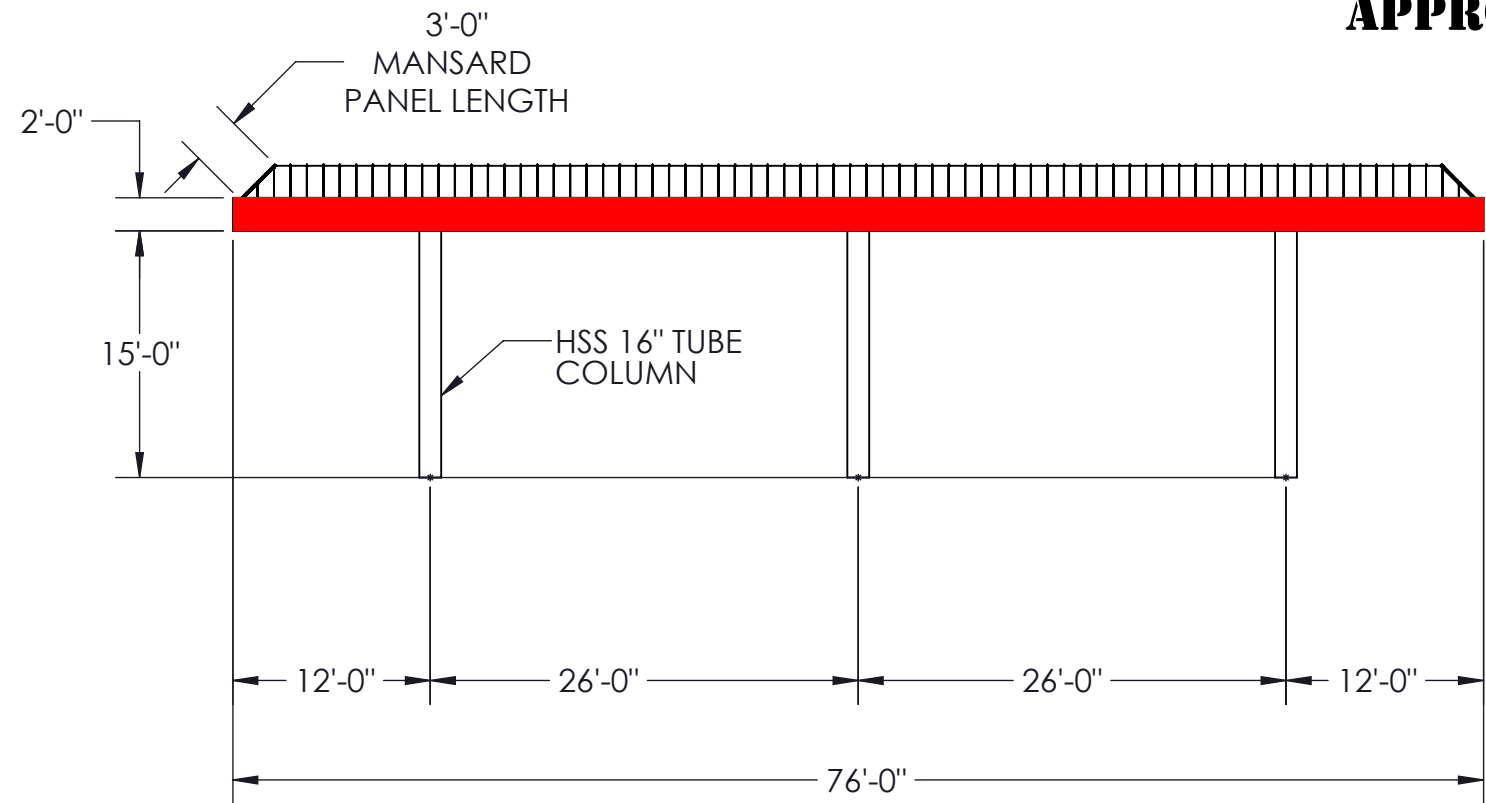
4

3

2

1

**APPROVED**

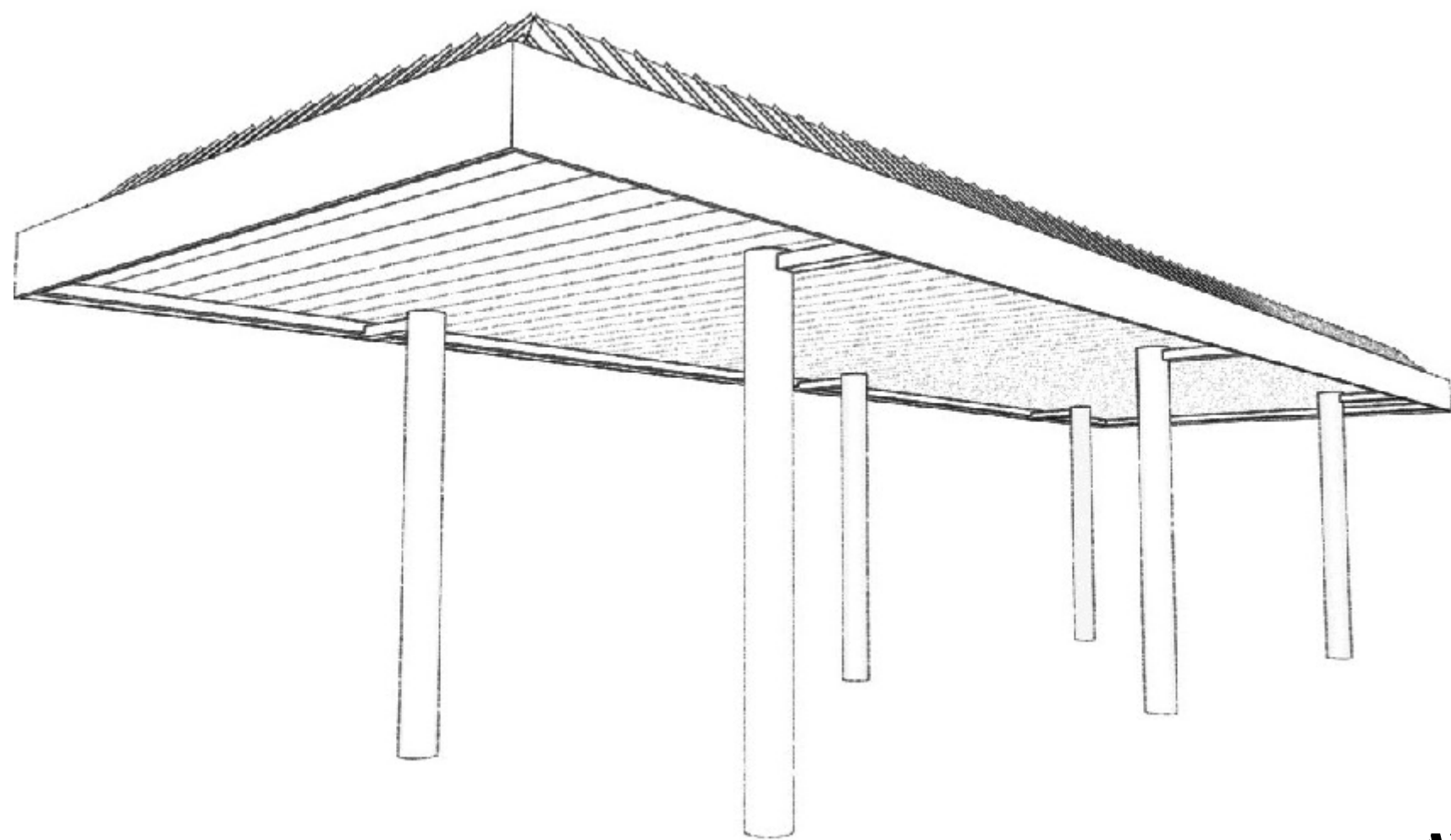


B

B

**APPROVED**

**APPROVED**



A

A

4

3

2

1

**APPROVED**

<b>McGEE CORPORATION</b> 12100 Stallings Commerce Drive Blvd. P.O. Box 1375 Matthews, NC 28105-1375 Phone: (704) 882-1500 Watts: (800) 526-5589 These prints are the property of McGee Corp.. Reproduction or reuse is prohibited without written permission.	PR. JOB NO. DANDY MINI MART	FINAL JOB NO.	DRAWING NO. PO
	SCALE: DATE: 12/2/2022	IN ACCORDANCE WITH REV. LETTER: _____	DRAWN BY: CHK'D BY:
	PRELIMINARY		SHEET NO. 1 of 1

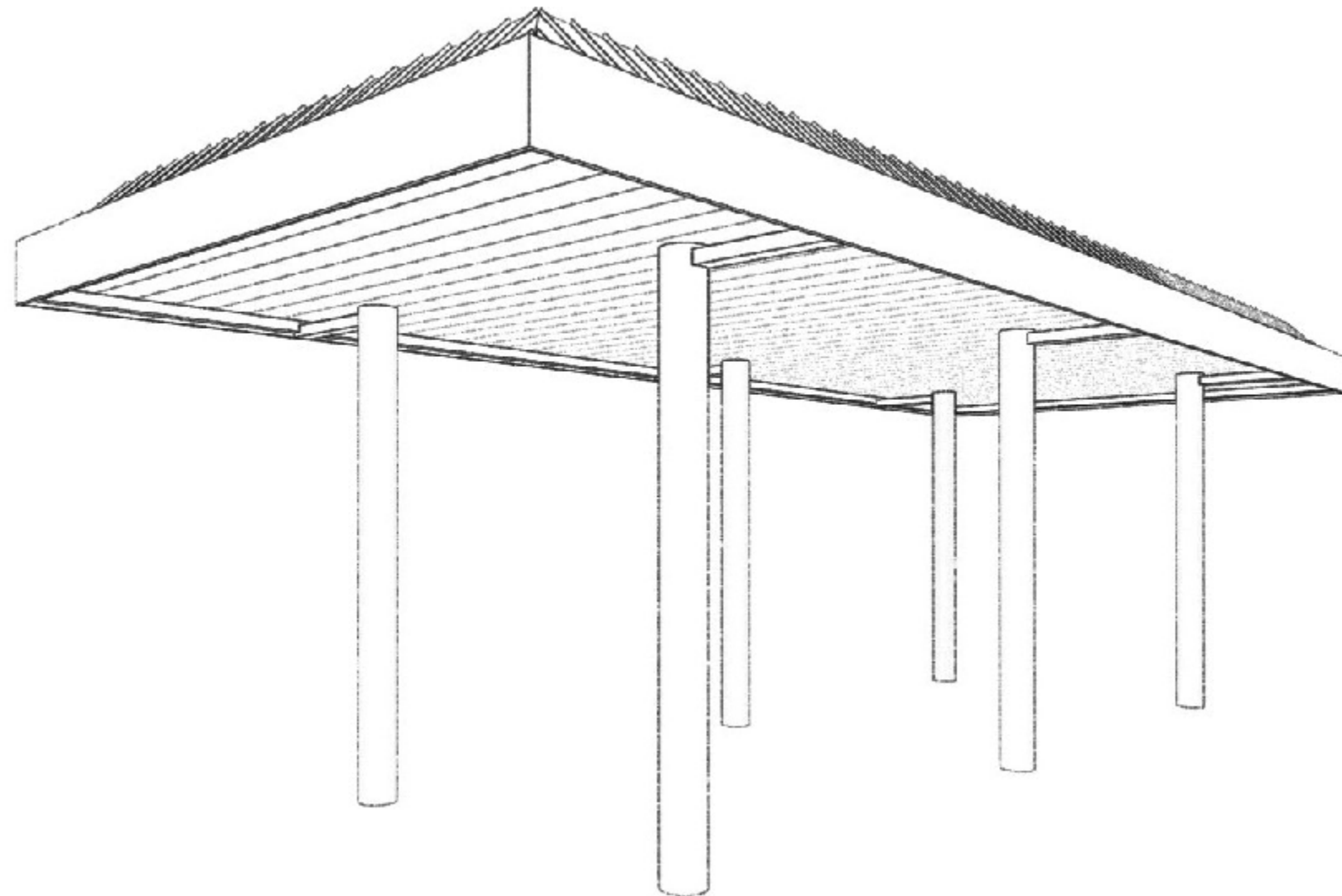
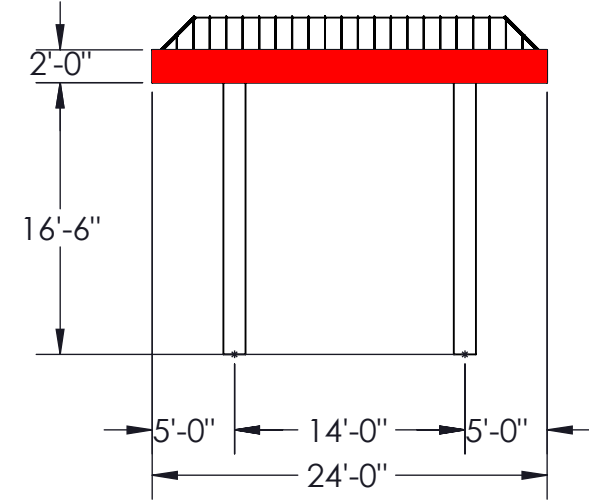
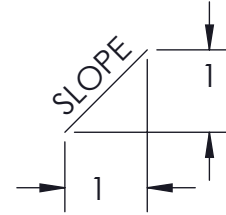
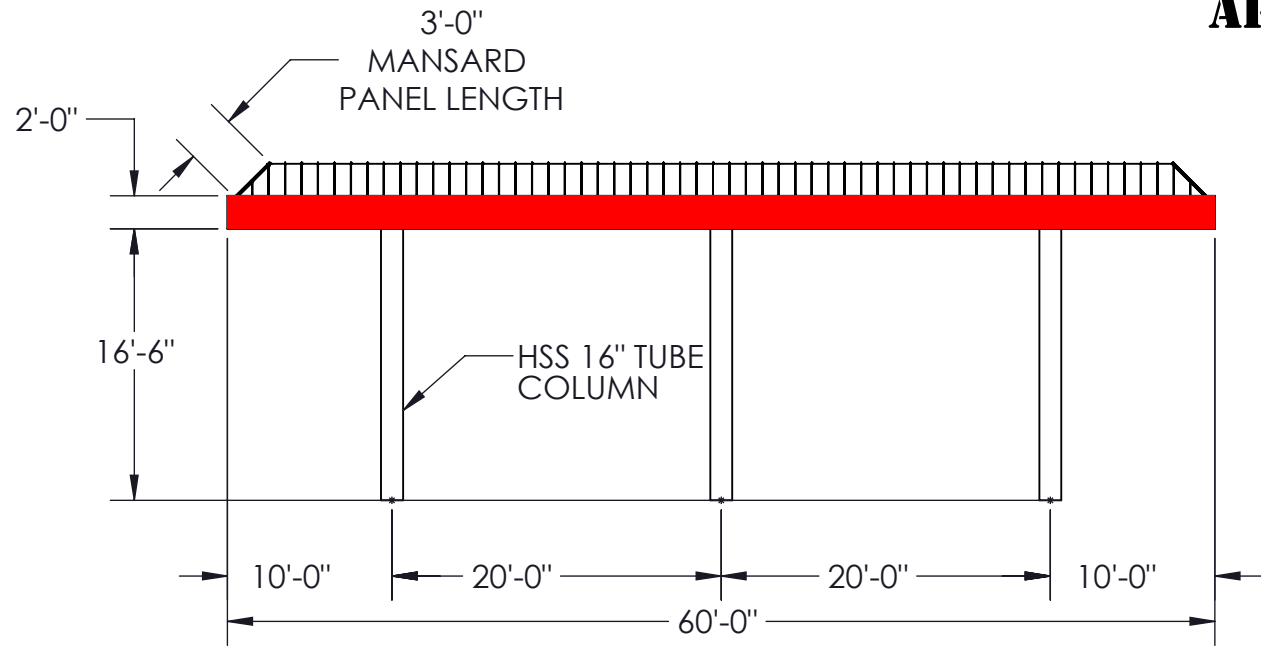
4

3

2

1

**APPROVED**



B

B

**APPROVED**

**APPROVED**

A

A

**APPROVED**

4

3

2

1

**McGEE**  
CORPORATION

12100 Stallings Commerce Drive  
Blvd. P.O. Box 1375  
Matthews, NC 28105-1375  
Phone: (704) 882-1500  
Watts: (800) 526-5589

These prints are the property  
of McGee Corp.. Reproduction  
or reuse is prohibited without  
written permission.

PR. JOB NO. DANDY MINI MART	FINAL JOB NO.	DRAWING NO. PO
--------------------------------	---------------	-------------------

SCALE: DATE: 12/2/2022	IN ACCORDANCE WITH REV. LETTER: _____	DRAWN BY: CHK'D BY:
---------------------------	--	------------------------

PRELIMINARY	SHEET NO. 1 of 1
-------------	---------------------