

Project	
Schedule	Date
Notes	

**DESCRIPTION**

naturalLED® Wall Lights come in 10-watt, 20-watt and 25-watts to replace your existing incandescent up to 200-watt, saving up to 90% of energy. Super energy efficient and lasts up to 50,000+ hours average life. naturalLED® wall lights are an ideal lighting solution for security lights, both residential, commercial and many other outdoor applications.



**FEATURES**

- Energy Star Qualified
- Wet Listed
- Up to 80% energy savings
- Instant on
- Light weight
- Contains no mercury or lead
- Input line voltage: 120V, 120-277V
- Power Factor: >0.9
- THD: <20%
- Beam Angle: Flood
- Operating temperature: -22°F - 95°F
- Finish: Black / White / Nickel
- 50,000 hrs rated average life

**APPLICATIONS**





- Security Lighting
- Accent Lighting
- Residential Lighting
- Outdoor Lighting
- Wall Lighting

**WARRANTY**

- 5 Year Warranty

Ordering Information		EXAMPLE: LED-FX5DWS25/33S/930/BK				
LED	FX5	DWS	25	33S	930	BK
<b>LED</b>	<b>Category</b> FX Fixture	<b>Style</b> DWS Down Wall Sconce	<b>Wattage</b> 25 25 Watts	<b>Beam Angle</b> 33 33°	<b>CRI/ Color Temp</b> 8 CRI80 9 CRI90 30 3000K 50 5000K	<b>Color Finish</b> BK Black NI Nickel WH White

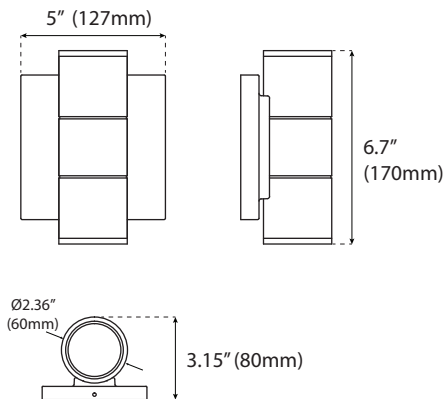
■ ORDERING

Watts (W)	Description	Color Temp (K)	Lumens (lm)	Equiv. Wattage (W)	Size	Beam Angle	Color	Voltage	Wet	ES
	<b>Up/Down Wall Sconce (Black)</b>									
10	LED-FXDWS10/830/BK	3000K	700	90	2.5" x 6.7"	38°	Black	120V	•	•
10	LED-FXDWS10/850/BK	5000K	700	90	2.5" x 6.7"	38°	Black	120V	•	•
20	LED-FXDWS20/830/BK	3000K	1,400	200	3.15" x 11.7"	38°	Black	120V	•	•
20	LED-FXDWS20/850/BK	5000K	1,400	200	3.15" x 11.7"	38°	Black	120V	•	•
	<b>Up/Down Wall Sconce (White)</b>									
10	LED-FXDWS10/830/WH	3000K	700	90	2.5" x 6.7"	38°	White	120V	•	•
10	LED-FXDWS10/850/WH	5000K	700	90	2.5" x 6.7"	38°	White	120V	•	•
20	LED-FXDWS20/830/WH	3000K	1,400	200	3.15" x 11.7"	38°	White	120V	•	•
20	LED-FXDWS20/850/WH	5000K	1,400	200	3.15" x 11.7"	38°	White	120V	•	•
	<b>Up/Down Wall Sconce (Nickel)</b>									
10	LED-FXDWS10/830/NI	3000K	700	90	2.5" x 6.7"	38°	Nickel	120V	•	•
20	LED-FXDWS20/830/NI	3000K	1,400	200	3.15" x 11.7"	38°	Nickel	120V	•	•
	<b>Wall Sconce (Black)</b>									
25	LED-FX5DWS25/33S/930/BK	3000K	1,750	250	5" x 7.5"	33°	Black	120-277V	•	•

■ SPECIFICATIONS

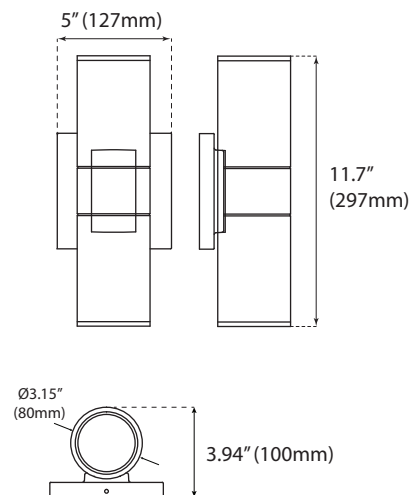
**FXDWS10 (10 Watt)**

Weight: 1.54-lbs



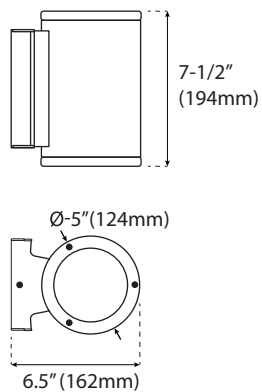
**FXDWS20 (20 Watt)**

Weight: 2.43-lbs



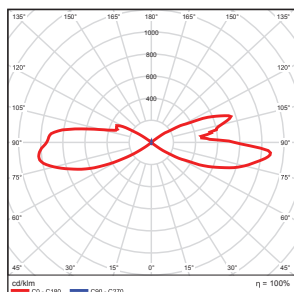
**FX5DWS25 (25 Watt)**

Weight: 3.75-lbs



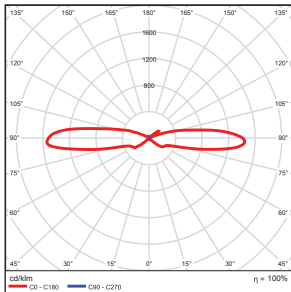
## PHOTOMETRICS CHART

**DWS - up/down Wall Sconce (10W)**



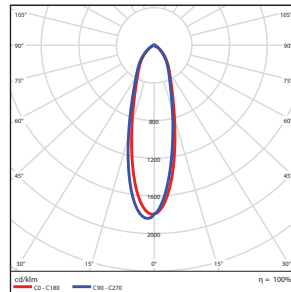
Illuminance at a Distance			
Center Beam fc	Beam Width		
2.5R	0.87 fc	1.2 ft	1.9 ft
5.0R	0.22 fc	2.3 ft	3.8 ft
7.5R	0.10 fc	3.5 ft	5.6 ft
10.0R	0.05 fc	4.7 ft	7.5 ft
12.5R	0.03 fc	5.8 ft	9.4 ft
15.0R	0.02 fc	7.0 ft	11.3 ft
■ Vert. Spread: 26.2°			
■ Horiz. Spread: 41.2°			

**DWS - up/down Wall Sconce (20 Watt)**



Illuminance at a Distance			
Center Beam fc	Beam Width		
2.5R	2.02 fc	1.0 ft	1.3 ft
5.0R	0.51 fc	2.1 ft	2.5 ft
7.5R	0.22 fc	3.1 ft	3.8 ft
10.0R	0.13 fc	4.1 ft	5.0 ft
12.5R	0.08 fc	5.2 ft	6.3 ft
15.0R	0.06 fc	6.2 ft	7.5 ft
■ Vert. Spread: 23.3°			
■ Horiz. Spread: 28.2°			

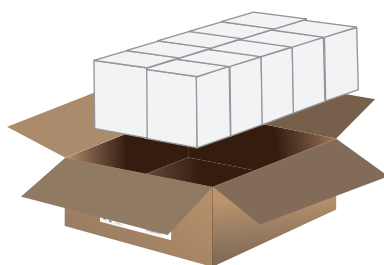
**5DWS - Wall Sconce (25 Watt)**



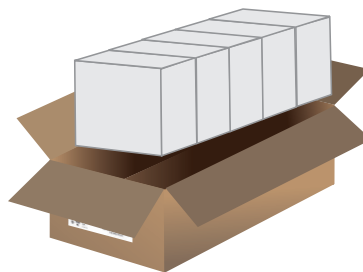
Illuminance at a Distance			
Center Beam fc	Beam Width		
2.5R	453 fc	1.4 ft	1.4 ft
5.0R	113 fc	2.8 ft	2.8 ft
7.5R	50.3 fc	4.2 ft	4.2 ft
10.0R	28.3 fc	5.5 ft	5.6 ft
12.5R	18.1 fc	6.9 ft	7.0 ft
15.0R	12.6 fc	8.3 ft	8.4 ft
■ Vert. Spread: 31.0°			
■ Horiz. Spread: 31.1°			

## PACKAGE

Master Pack: 10 pcs  
For Up/Down Wall Sconce 10W



Master Pack: 5 pcs  
For Up/Down Wall Sconce 20W



Master Pack: 4 pcs  
For Wall Sconce 25W

