



Sunbelt Waste Equipment, LLC
2201 NW 22nd Street, Pompano Beach, FL 33069
Phone: 561-274-8505
www.sunbeltwaste.com

Bill To: Town of Lake Park
650 Old Dixie Highway,
Lake Park, FL 33403

Ship To: Town of Lake Park
650 Old Dixie Highway,
Lake Park, FL 33403

Quote Department: Service

Unit Number: 58

Body S/N: Heil: 7E7306816

Make/Model: Mack/LR

VIN: 1M2LR2GC5KM002204

Complaint: Grabber Beam Worn

Quote Amount:

\$10,424.74 – Parts (Dump Arm Assy: \$7,468.58 ; Single-Finger: \$1,319.08 ; Double-Finger: \$1,637.08)

\$4,768.00– Labor (32hrs @ \$149/hr ; 2 Techs 2 Days)

\$250.00– Total Miscellaneous (Shop Supplies: \$250.00)

\$0.00 – Total Core

Quote total = \$15,442.74

Payment Method – Charge

Explanation:

This Quote is to Remove & Replace the worn Grabber Beam & replace it with new. If approved, we will order in the new Grabber Beam and Grabber Fingers; the Grabber Beam currently has a Lead-Time of 6 – 8 Weeks. Once the Parts and Truck are onsite, we will remove the worn Grabber Beam & Grabber Fingers, Prep & Install the New Beam & Fingers, then Test The Truck for Proper Operations before releasing back to the customer.

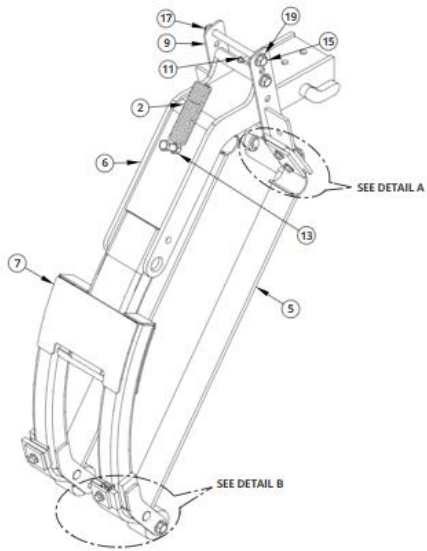
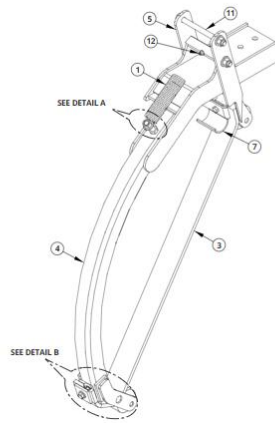
Note: Grabber Beam & Double-Finger Currently **Backordered**.

Disclaimer: This Quote is subject to change; if any further damage is found and repairs need to be made, we will reach out for approval before proceeding with the repairs.



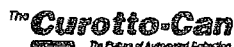
372-5411

DUMP ARM ASSY FIELD KIT PY...





A DOVER COMPANY



August 22, 2018

Subject: Heil Environmental Authorized Dealer Representation

To Whom It May Concern:

Please be advised that Sunbelt Waste Equipment is an authorized dealer for Heil Environmental. Sunbelt Waste's geographical Area of Responsibility ("AOR") includes the following counties in the state of Florida:

Brevard, Indian River, Okeechobee, St. Lucie, Martin, Glades, Charlotte, Lee, Hendley Palm Beach, Collier, Broward, Miami-Date, and Monroe.

Accordingly, Sunbelt Waste is responsible for both sales and support (including but not limited to factory-authorized warranty work and sale of Heil service parts) for all Heil products in the counties of Florida as listed in the paragraph above.

There are no other Heil authorized dealers in the counties listed above in Florida for Original Equipment Manufacturer ("OEM") service parts for our Products.

Sunbelt Waste refurbishes Heil equipments using only ("OEM") parts.

Respectfully submitted,

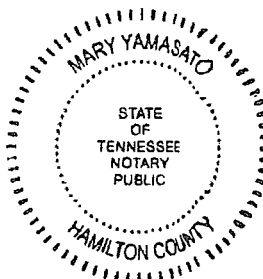
George Paturalski
Senior Director, Risk Management

On August 22, 2018, the signatory above, George Paturalski did appear before me and affirm the veracity of the information supplied herein.

NOTARY PUBLIC

My Commission Expires
April 24, 2022

Commission Expiration Date



Affix Seal Above