

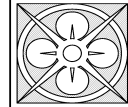
# TOWN OF LAKE PARK



**Department of Public Works**

**Evergreen House**

**30% Plan Proposal**

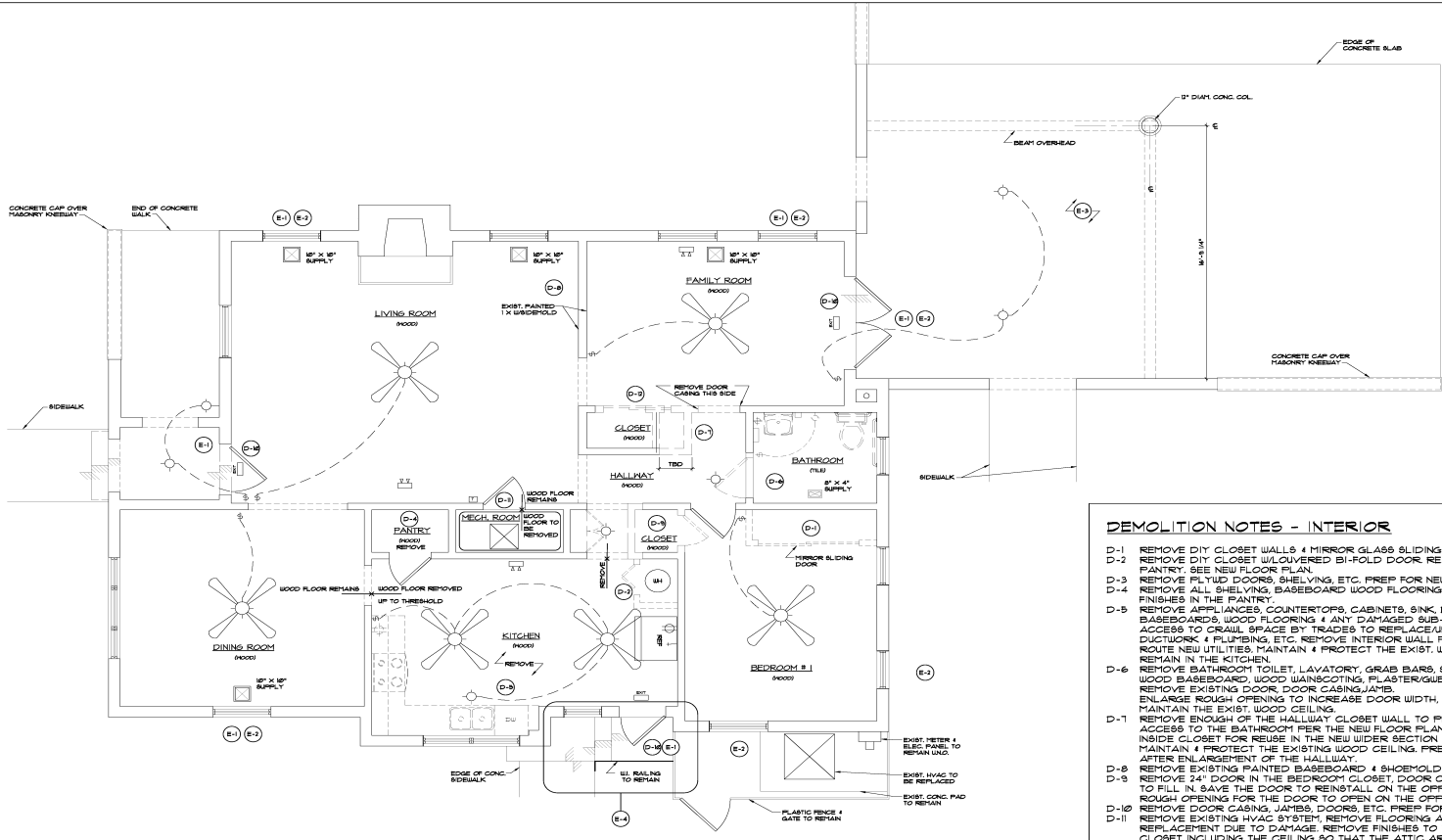


THE LANE GROUP INC  
C. DOUGLAS LANE, AIA

3514 OAK STREET  
JACKSONVILLE, FL 32205  
904.874.1700  
www.LaneGroupInc.com  
FL Lic #AB0010676

Preservation Improvements for  
**Lake Park Historic Evergreen House**  
 601 Federal Highway  
 Lake Park City, FL 33403-2603

# Demolition Plans



- DEMOLITION GENERAL NOTES**
1. PROVIDE & MAINTAIN SECURITY & WEATHER PROTECTION TO THE INTERIOR OF THE BUILDING THROUGHOUT THE PROJECT.
  2. COVER WITH PROTECTION BOARD THE EXISTING WOOD FLOORS SCHEDULED TO REMAIN THROUGHOUT THE PROJECT.
  3. PROTECT THE EXISTING WOOD CEILING & CROWN MOLDINGS SCHEDULED TO REMAIN. ALL WOOD CEILING & CROWN TO BE REMOVED SHALL BE SAVED FOR REUSE.
  4. COVER & PROTECT THE TILE HEARTH & THE CUT STONE MANTLE AND FIREPLACE SURROUND THROUGHOUT THE PROJECT.
  5. REMOVE AND SAVE FOR POTENTIAL REUSE ALL THE METAL FLOOR SUPPLY GRILLES.
  6. CARE SHALL BE SUPPLIED TO THE AREAS SCHEDULED TO HAVE THE PLASTER FINISHES REMOVED ON ONE SIDE OF THE WALL, SO AS NOT TO DISTURB/DAMAGE THE OTHER SIDE OF THE WALL FINISH SCHEDULED TO REMAIN.
  7. MAINTAIN PROPER WATER & LIGHTS NECESSARY FOR WORK & NIGHT TIME SECURITY THROUGHOUT THE PROJECT.
  8. PROVIDE BARRIERS, SIGNS AND/OR TAPE LINES TO DEFINE THE CONSTRUCTION AREA SURROUNDING THE PROJECT. PROVIDE BARRIERS AROUND THE TREES ON SITE.
  9. PLACE DUMPSTER LOCATED ON THE STREET AND/OR PAVED AREAS ON FLYWOOD TO MINIMIZE DAMAGE.
  10. DO NOT BLOCK ANY SIDEWALKS AND/OR PATHWAY SURROUNDING THE PROJECT. STORE ALL CONSTRUCTION MATERIALS INSIDE THE IDENTIFIED CONSTRUCTION AREA.



- DEMOLITION NOTES - INTERIOR**
- D-1 REMOVE D11 CLOSET WALLS & MIRROR GLASS SLIDING DOORS.
  - D-2 REMOVE D17 CLOSET UNGLAZED SLIDING DOOR, RELOCATE WATER HEATER TO PANTRY. SEE NEW FLOOR PLAN.
  - D-3 REMOVE T102 DOORS, SHELVING, ETC. PREP FOR NEW USE PER NEW FLOOR PLAN.
  - D-4 REMOVE ALL SHELVING, BASEBOARD WOOD FLOORING, REMOVE WALL & CEILING FINISHES IN THE PANTRY.
  - D-5 REMOVE APPLIANCES, COUNTERTOPS, CABINETS, SINK, DISHWASHER, WOOD BASEBOARDS, WOOD FLOORING & ANY DAMAGED SUB-FLOORING TO PROVIDE ACCESS TO CRAWL SPACE BY TRADES TO REPLACE/UPDATE ELECTRICAL, HVAC DUCTWORK & PLUMBING, ETC. REMOVE INTERIOR WALL FINISHES TO THE STUDS TO ROUTE NEW UTILITIES. MAINTAIN & PROTECT THE EXIST. WOOD CEILING, SCHEDULED TO REMAIN IN THE KITCHEN.
  - D-6 REMOVE BATHROOM TOILET, LAVATORY, GRAB BARS, SOAP & PAPER DISPENSERS, WOOD BASEBOARD, WOOD WAINSCOTING, PLASTER/GWB WALLS BACK TO STUDS, REMOVE EXISTING DOOR, DOOR CASING/JAMB.
  - D-7 ENLARGE ROUGH OPENING TO INCREASE DOOR WIDTH, SEE THE NEW FLOORPLAN. MAINTAIN THE EXIST. WOOD CEILING.
  - D-8 REMOVE ENOUGH OF THE HALLWAY CLOSET WALL TO PROVIDE A 5'-3" FINISHED NEW ACCESS TO THE BATHROOM PER THE NEW FLOOR PLAN. SAVE WOOD FLOOR FROM INSIDE CLOSET FOR REUSE IN THE NEW WIDER SECTION OF THE HALLWAY.
  - D-9 MAINTAIN & PROTECT THE EXISTING WOOD CEILING. PREP TO PATCH IN AS REQUIRED AFTER ENLARGEMENT OF THE HALLWAY.
  - D-10 REMOVE EXISTING PAINTED BASEBOARD & SHOEMOLD IN EVERY ROOM TYP.
  - D-11 REMOVE 24" DOOR IN THE BEDROOM CLOSET, DOOR CASING & JAMB. PREP OPENING TO FILL IN. SAVE THE DOOR TO REINSTALL ON THE OPPOSITE WALL. CREATE A NEW ROUGH OPENING FOR THE DOOR TO OPEN ON THE OPPOSITE SIDE.
  - D-12 REMOVE DOOR CASING, JAMBS, DOORS, ETC. PREP FOR NEW IMPACT RATED DOORS.
  - D-13 REMOVE EXISTING HVAC SYSTEM, REMOVE FLOORING AND SUB-FLOOR. PREP FOR REPLACEMENT DUE TO DAMAGE REMOVE FINISHES TO THE STUDS INSIDE THE HIGH CLOSET INCLUDING THE CEILING SO THAT THE ATTIC AREA CAN BE MADE ACCESSIBLE DURING THE CONSTRUCTION PROCESS.
  - D-14 REMOVE AND DISPOSE OF THE SLIDING DOORS, PREP OPENING FOR NEW DOOR PER THE FLOOR PLAN.

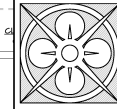
- DEMOLITION NOTES - EXTERIOR**
- E-1 REMOVE ALL HURRICANE SHUTTER BRACKETS FROM THE WINDOWS & DOORS. DISPOSE OF BRACKETS, PATCH ALL HOLES IN THE STUCCO LEFT BY THE FASTENERS, PREP FOR PAINT, TYPICAL ALL CONDITIONS.
  - E-2 REMOVE ALL EXIST. WINDOWS AND DOORS & PREP THE EXTERIOR I.R.O. & M.O. FOR NEW REPLACEMENT UNITS TYP.
  - E-3 SCRAPES FALLING FINISH FROM THE CONC. SLAB ON THE REAR TERRACE. PREP FOR NEW FINISH.
  - E-4 REMOVE CLAY TILE & SAVE FOR REUSE, REMOVE EXIST. KITCHEN DOOR CANOPY/HOOD. SAVE PARTS TO USE AS A TERRACE TO RE-CREATE THE FEATURES.
  - E-5 REMOVE ALL ABANDONED UTILITY PIPES, CONDUITS, BOXES, ETC. PENETRATING AND/OR MOUNTED TO THE EXTERIOR & PREP TO PATCH FINISH.

The entire contents of this document, including all drawings, plans, specifications, schedules and notes, are the property of The Lane Group, Inc. and shall remain the property of The Lane Group, Inc. All rights are reserved. No part of this document may be reproduced, stored in a retrieval system, or transmitted in any form or by any means, electronic, mechanical, photocopying, recording, or by any information storage and retrieval system, without the prior written consent of The Lane Group, Inc.

No.	Date	Revision
1.		
2.		
3.		
4.		
5.		
6.		
7.		
8.		
9.		
10.		

Compilation No.	
Date	02.15.23
Drawn by	As Noted
Checked by	Laura E. Land
Sheet No.	of
Demolition Plan	
D-1.0	





THE LANE GROUP INC  
C. DOUGLAS LANE, AIA

3541 GALE STREET  
JACKSONVILLE, FL 32205  
904.674.1700  
www.lanegroup.com  
FL Lic. #AB0010079

Preservation Improvements for  
**Lake Park Historic Evergreen House**  
601 Federal Highway  
Lake Park City, FL 32403-2603

The entire contents of this document, including all drawings, plans, specifications, schedules and specifications, are the copyrighted works, and shall remain the property of The Lane Group, Inc. No documents and their contents may not be used, photocopied, or reproduced without the written consent of The Lane Group, Inc.

No.	Date	Revisions
1.		
2.		
3.		
4.		
5.		
6.		
7.		
8.		

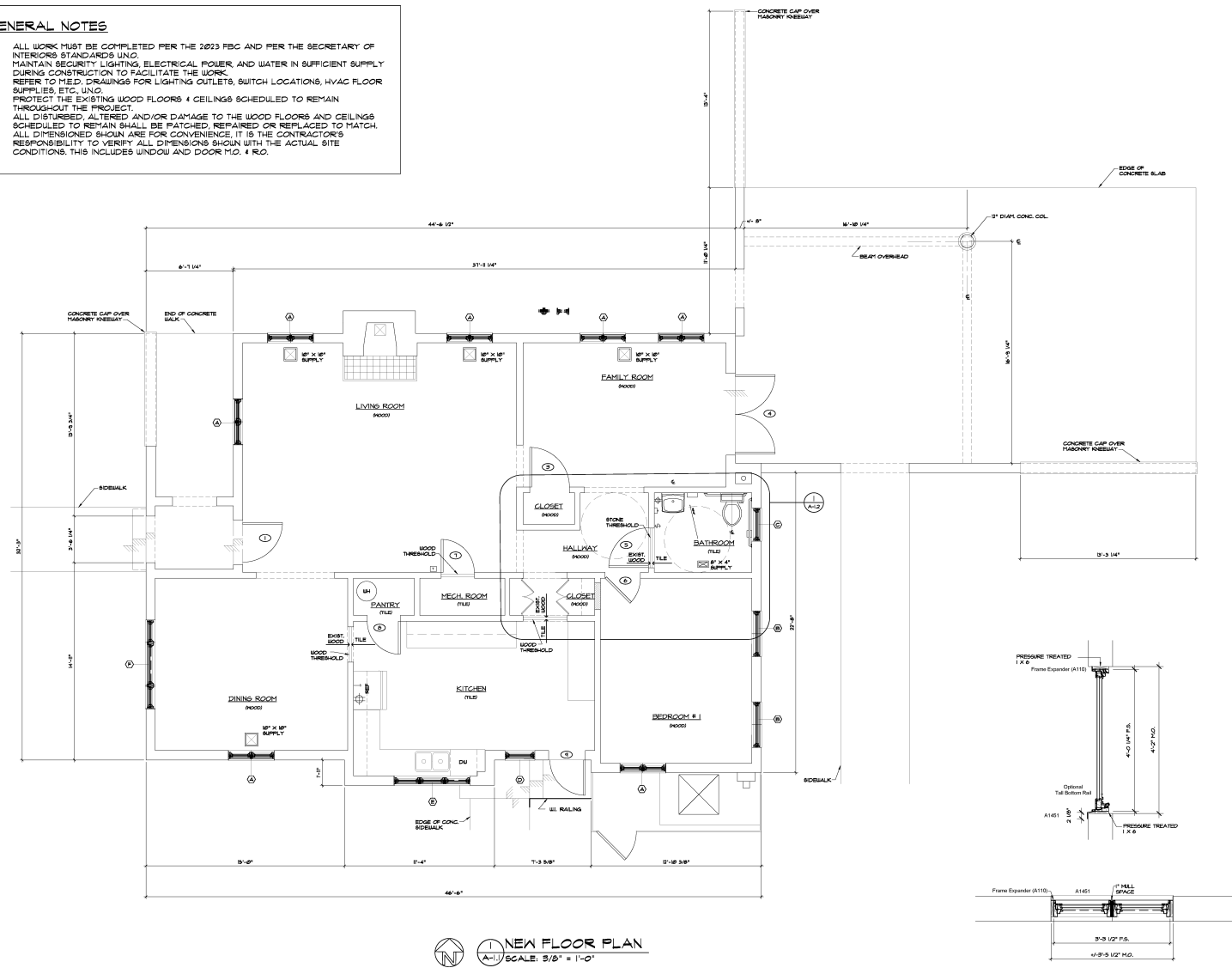
Construction No. \_\_\_\_\_  
Date: 08.18.20  
Drawn by: Heidi B. Lane  
Checked by: Doug Lane  
Sheet No. \_\_\_\_\_ of \_\_\_\_\_

New Floor Plan

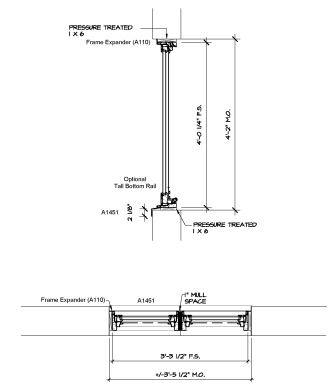
A-1.1

**GENERAL NOTES**

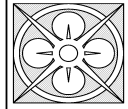
1. ALL WORK MUST BE COMPLETED PER THE 2023 FBC AND PER THE SECRETARY OF INTERIORS STANDARDS UNO.
2. MAINTAIN SECURITY LIGHTING, ELECTRICAL POWER, AND WATER IN SUFFICIENT SUPPLY DURING CONSTRUCTION TO FACILITATE THE WORK.
3. REFER TO M.E.D. DRAWINGS FOR LIGHTING OUTLETS, SWITCH LOCATIONS, HVAC FLOOR SUPPLIES, ETC. UNO.
4. PROTECT THE EXISTING WOOD FLOORS & CEILING SCHEDULED TO REMAIN THROUGHOUT THE PROJECT.
5. ALL DISTURBED, ALTERED AND/OR DAMAGE TO THE WOOD FLOORS AND CEILING SCHEDULED TO REMAIN SHALL BE PATCHED, REPAIRED OR REPLACED TO MATCH.
6. ALL DIMENSIONS SHOWN ARE FOR CONVENIENCE. IT IS THE CONTRACTOR'S RESPONSIBILITY TO VERIFY ALL DIMENSIONS SHOWN WITH THE ACTUAL SITE CONDITIONS. THIS INCLUDES WINDOW AND DOOR M.O. & R.O.



**NEW FLOOR PLAN**  
A-1.1 SCALE: 3/8" = 1'-0"



**New Floor Plans**



THE LANE GROUP INC  
C. DOUGLAS LANE, AIA

354 OAK STREET  
JACKSONVILLE, FL 32206  
904.741.7766  
www.LaneGroupInc.com  
FL Lic #AB0000076

Preservation Improvements for  
**Historic Evergreen House**  
601 Federal Highway  
Lake Park City, FL 33403-2603

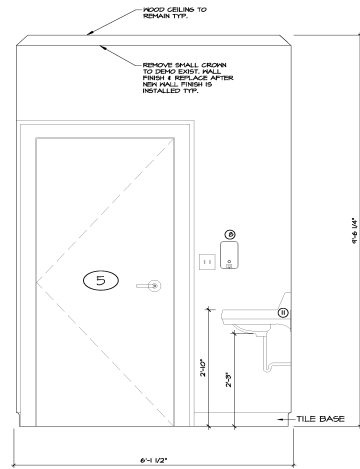
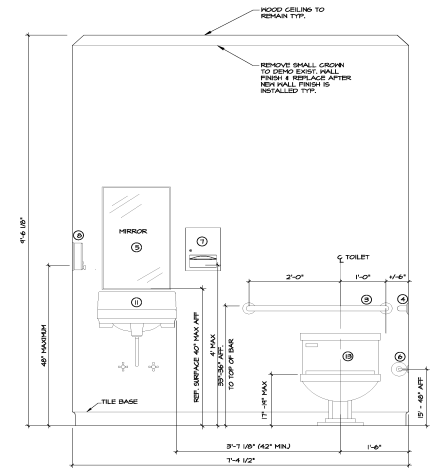
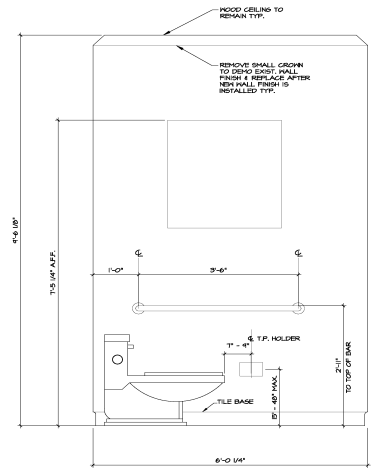
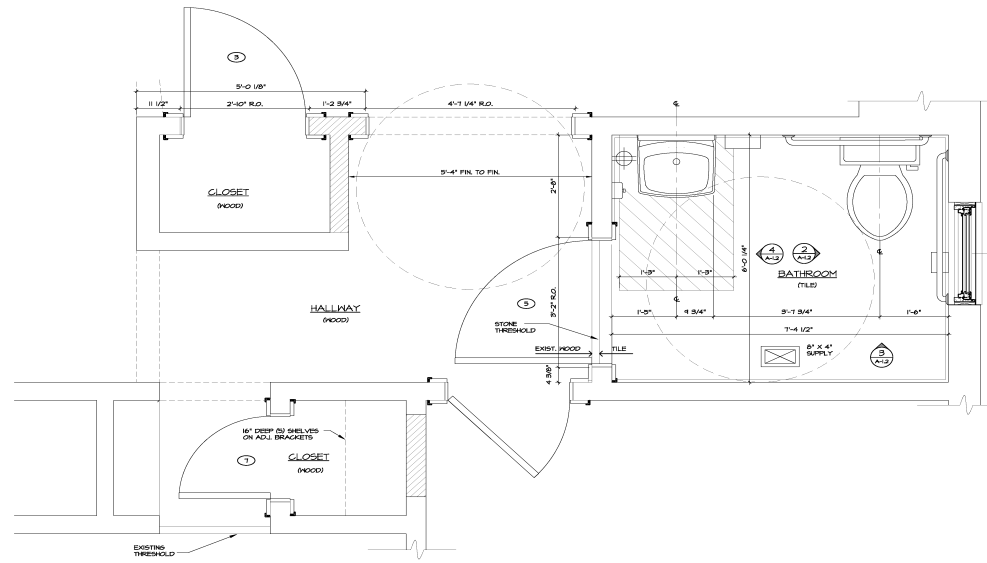
The entire contents of this document, including all drawings, plans, sections, schedules, annotations and specifications, are the sole and exclusive property of The Lane Group, Inc. and shall remain the property of The Lane Group, Inc. The documents and their contents may not be used, reproduced, or otherwise disseminated without the express written consent of The Lane Group, Inc.

No.	Date	Revision
1.		
2.		
3.		
4.		
5.		
6.		
7.		
8.		

Consultation No. \_\_\_\_\_  
Date 08.13.20  
Drawn by Ar Hesel  
Drawn by Louis B. Gann  
Checked by Doug Lane  
Sheet No. of \_\_\_\_\_

Enlarged  
Bathroom Plan

A-1.2



# Enlarge Bathroom Plans