

Brian Marquardt

From: Nina HALVERSON <n.halverson@kurita-water.com>
Sent: Friday, August 16, 2024 2:27 PM
To: Brian Marquardt; Emily Nurmi
Cc: Luke Laudolff
Subject: RE: [EXT]RE: Kronenwetter WTP pressure filter J0030780

Follow Up Flag: Follow up
Flag Status: Completed

Brian –

Sounds good, I will ask that they store the 4 vertical vessels until they're all ready to deliver.

I will keep you posted on updates on the HPF – I'm hoping they will be able to complete that sooner than they're currently projecting..

Thank you,

Nina Halverson

Project Manager – Municipal

Direct 763-957-1947 | Mobile 651-706-0498 | n.halverson@kurita-water.com

Kurita America Inc. | Tonka Water, a Kurita brand | www.kuritaamerica.com



From: Brian Marquardt <marquardtb@rohdebros.com>
Sent: Friday, August 16, 2024 1:27 PM
To: Nina HALVERSON <n.halverson@kurita-water.com>; Emily Nurmi <Emily@williamreidltd.com>
Cc: Luke Laudolff <laudolffl@rohdebros.com>
Subject: RE: [EXT]RE: Kronenwetter WTP pressure filter J0030780

I am leaning towards receiving all of the vessels at the same time.

BRIAN MARQUARDT

Superintendent

Rohde Brothers Inc.

920-838-1628

marquardtb@rohdebros.com

From: Nina HALVERSON <n.halverson@kurita-water.com>
Sent: Thursday, August 15, 2024 9:50 AM
To: Emily Nurmi <Emily@williamreidltd.com>; Brian Marquardt <marquardtb@rohdebros.com>
Cc: Luke Laudolff <laudolffl@rohdebros.com>
Subject: RE: [EXT]RE: Kronenwetter WTP pressure filter J0030780

Emily –

I just wrapped up a meeting with the fab team –

Looks like the 4 vertical filters will be ready and available to ship the week of 9/2(after labor day). Unfortunately, with the storms and damage/delays caused by the fab shop, it looks like the Horizontal system won't be able to ship until mid-end of September. T

We can however ship the vertical filters and components ahead of the horizontal filter though, if this works for you let me know what date would work after labor day and I will arrange for the 4 verticals to be delivered. If you'd prefer to take delivery of all vessels at the same time I will arrange for storage until the Horizontal is ready.

Thank you,

Nina Halverson

Project Manager – Municipal

Direct 763-957-1947 | Mobile 651-706-0498 | n.halverson@kurita-water.com

Kurita America Inc. | Tonka Water, a Kurita brand | www.kuritaamerica.com



From: Emily Nurmi <Emily@williamreidltd.com>

Sent: Thursday, August 8, 2024 2:36 PM

To: Nina HALVERSON <n.halverson@kurita-water.com>; Brian Marquardt <marquardt@rohdebros.com>

Cc: Luke Laudolff <laudolff@rohdebros.com>

Subject: Re: [EXT]RE: Kronenwetter WTP pressure filter J0030780

Nina,

Good afternoon. I was just looking for an update following your meeting last week. Did the completion data stay the same?

Thank you 🙏

Emily Nurmi (she, hers, her)

Project Manager



PO Box 397

Germantown, WI 53022

O: 262-255-5420 C: 608-733-1403

Emily@williamreidltd.com

From: Nina HALVERSON <n.halverson@kurita-water.com>
Sent: Monday, July 29, 2024 2:09 PM
To: Emily Nurmi <Emily@williamreidltd.com>; Brian Marquardt <marquardtb@rohdebros.com>
Cc: Luke Laudolff <laudolffl@rohdebros.com>
Subject: RE: [EXT]RE: Kronenwetter WTP pressure filter J0030780

Good afternoon –

Right now we have a date of 9/9 for completion and inspection with shipping to follow. They are running about a week behind or so and we have a meeting with them Thursday to get updated scheduling information – they were hit with hurricane during the most recent storm surges and all production was stopped for a bit over a week. They are back to work and fabrication now, but are assessing what potential schedule impacts that has had.

I will follow up with you after our meeting with them on Thursday to let you know if there's any impact to delivery.

Thank you,

Nina Halverson

Project Manager – Municipal

Direct 763-957-1947 | Mobile 651-706-0498 | n.halverson@kurita-water.com
Kurita America Inc. | Tonka Water, a Kurita brand | www.kuritaamerica.com



From: Emily Nurmi <Emily@williamreidltd.com>
Sent: Monday, July 29, 2024 1:03 PM
To: Nina HALVERSON <n.halverson@kurita-water.com>; Brian Marquardt <marquardtb@rohdebros.com>
Cc: Luke Laudolff <laudolffl@rohdebros.com>
Subject: Re: [EXT]RE: Kronenwetter WTP pressure filter J0030780

Nina,

Can you please provide an update on this order? In February, you mentioned that the estimated ship date was mid-August.

Thank you for the update!

Emily Nurmi (she, hers, her)

Project Manager



PO Box 397

Germantown, WI 53022

O: 262-255-5420 C: 608-733-1403

Emily@williamreidltd.com

From: Emily Nurmi <Emily@williamreidltd.com>

Sent: Tuesday, June 4, 2024 8:54 AM

To: Nina HALVERSON <n.halverson@kurita-water.com>; Rich Dehnel <dehnelr@rohdebros.com>; Brian Marquardt <marquardt@rohdebros.com>

Cc: Luke Laudolff <laudolffl@rohdebros.com>

Subject: Re: [EXT]RE: Kronenwetter WTP pressure filter J0030780

Nina,

Good morning. Is there a schedule update for this order?

Thank you!

Emily Nurmi (she, hers, her)

Project Manager



PO Box 397

Germantown, WI 53022

O: 262-255-5420 C: 608-733-1403

Emily@williamreidltd.com

From: Nina HALVERSON <n.halverson@kurita-water.com>

Sent: Thursday, April 4, 2024 1:17 PM

To: Rich Dehnel <dehnelr@rohdebros.com>; Brian Marquardt <marquardt@rohdebros.com>

Cc: Emily Nurmi <Emily@williamreidltd.com>; Luke Laudolff <laudolffl@rohdebros.com>

Subject: FW: [EXT]RE: Kronenwetter WTP pressure filter J0030780

Good afternoon –

This was communicated, to Ken at Becher Hoppe, but he's directed this to be sent to you for further handling, his response is below.

Our purchasing team has gotten an update from our fabrication shop, they are able to source and build at 3/8", but have noted that they cannot source the SA-36 to meet delivery timelines and plan to proceed with the build at the specified thickness using 516-70, which is a stronger material and will be of greater quality for the finished product.

I've included the head and shell calculations for you, they are figured for 3/8" thickness using 516-70 steel, at this point, there should be no additional changes, but wanted to provide you with these calculations and let you know the steel will be shifted, but to a material with greater strength and is overall superior.

Thank you,

Nina Halverson

Project Manager

Desk 763-957-1947 | Mobile 651-706-0498 | n.halverson@kurita-water.com

Kurita America Inc. | www.kuritaamerica.com

[How are we doing? Take our short survey!](#)



From: Kenneth J. Ligman <kligman@becherhoppe.com>
Sent: Monday, March 18, 2024 9:21 AM
To: Nina HALVERSON <n.halverson@kurita-water.com>
Cc: Matthew R. Patterson <mpatterson@becherhoppe.com>
Subject: RE: [EXT]RE: Kronenwetter WTP pressure filter J0030780

This material change will officially require a change order by the general contractor. Please forward your request to the general contractor Ellis Stone via Rhode Brothers. We in turn, will bring this to the attention of the Owner for their immediate concurrence.

We are still waiting for the same type of calculations for the horizontal pressure filter.

Ken Ligman
Senior Engineer

Becher-Hoppe Associates, Inc.

330 N. 4th Street | Wausau WI | 54403

Direct 715-845-0432 | Office 715-845-8000

kligman@becherhoppe.com | www.becherhoppe.com

This email message is for the sole use of the intended recipient(s) and may contain confidential and privileged information. Any unauthorized review, use, disclosure or distribution is prohibited. If you are not the intended recipient, please contact the sender by reply email and destroy all copies of the original message

From: Nina HALVERSON <n.halverson@kurita-water.com>
Sent: Monday, March 18, 2024 9:07 AM
To: Kenneth J. Ligman <kligman@becherhoppe.com>
Subject: RE: [EXT]RE: Kronenwetter WTP pressure filter J0030780

Ken –

Good morning – Our purchasing team has gotten an update from our fabrication shop, they are able to source and build at 3/8", but have noted that they cannot source the SA-36 to meet delivery timelines and plan to proceed with the build at the specified thickness using 516-70, which is a stronger material and will be of greater quality for the finished product.

I've included the head and shell calculations for you, they are figured for 3/8" thickness using 516-70 steel, at this point, there should be no additional changes, but wanted to provide you with these calculations and let you know the steel will be shifted, but to a material with greater strength and is overall superior.

Thank you,

Nina Halverson

Project Manager

Desk 763-957-1947 | Mobile 651-706-0498 | n.halverson@kurita-water.com

Kurita America Inc. | www.kuritaamerica.com

How are we doing? Take our short survey!



From: Kenneth J. Ligman <kligman@becherhoppe.com>
Sent: Monday, March 18, 2024 8:47 AM
To: Nina HALVERSON <n.halverson@kurita-water.com>
Subject: RE: [EXT]RE: Kronenwetter WTP pressure filter J0030780

Thank you

Ken Ligman
Senior Engineer

Becher-Hoppe Associates, Inc.
330 N. 4th Street | Wausau WI | 54403
Direct 715-845-0432 | Office 715-845-8000
kligman@becherhoppe.com | www.becherhoppe.com

This email message is for the sole use of the intended recipient(s) and may contain confidential and privileged information. Any unauthorized review, use, disclosure or distribution is prohibited. If you are not the intended recipient, please contact the sender by reply email and destroy all copies of the original message

From: Nina HALVERSON <n.halverson@kurita-water.com>
Sent: Thursday, March 14, 2024 10:34 AM
To: Kenneth J. Ligman <kligman@becherhoppe.com>
Subject: RE: [EXT]RE: Kronenwetter WTP pressure filter J0030780

Ken –

Attached are the material calcs for the 3/8" SA-36.

Let me know if you need anything else.

Thank you,

Nina Halverson

Project Manager

Desk 763-957-1947 | Mobile 651-706-0498 | n.halverson@kurita-water.com

Kurita America Inc. | www.kuritaamerica.com

How are we doing? Take our short survey!



From: Kenneth J. Ligman <kligman@becherhoppe.com>
Sent: Thursday, March 14, 2024 9:33 AM
To: Nina HALVERSON <n.halverson@kurita-water.com>
Subject: RE: [EXT]RE: Kronenwetter WTP pressure filter J0030780

Please provide calculations for 3/8" SA-36 materials for the detention tanks.
Thanks.

Ken Ligman
Senior Engineer

Becher-Hoppe Associates, Inc.

330 N. 4th Street | Wausau WI | 54403

Direct 715-845-0432 | Office 715-845-8000

kligman@becherhoppe.com | www.becherhoppe.com

This email message is for the sole use of the intended recipient(s) and may contain confidential and privileged information. Any unauthorized review, use, disclosure or distribution is prohibited. If you are not the intended recipient, please contact the sender by reply email and destroy all copies of the original message

From: Nina HALVERSON <n.halverson@kurita-water.com>
Sent: Thursday, March 7, 2024 11:41 AM
To: Kenneth J. Ligman <kligman@becherhoppe.com>; Alan SCHNEIDER <a.schneider@kurita-water.com>
Cc: Matthew R. Patterson <mpatterson@becherhoppe.com>; Patrick Ingle <patrick@williamreidltd.com>
Subject: RE: [EXT]RE: Kronenwetter WTP pressure filter J0030780
Importance: High

Good morning –

We've had some changes in the fabrication shop for the Kronenwetter Vessels to maintain schedule as the planned shop overbooked and was not going to be able to meet delivery dates. However, with this change in shop there is a material change we'd like to get approval on. Please review the attached RFI and let me know if you have any questions or concerns or if we are clear to proceed with the changes here.

Thank you,

Nina Halverson

Project Manager

Desk 763-957-1947 | Mobile 651-706-0498 | n.halverson@kurita-water.com



From: Kenneth J. Ligman <kligman@becherhoppe.com>

Sent: Wednesday, February 28, 2024 9:33 AM

To: Nina HALVERSON <n.halverson@kurita-water.com>; Alan SCHNEIDER <a.schneider@kurita-water.com>

Cc: Matthew R. Patterson <mpatterson@becherhoppe.com>; Patrick Ingle <patrick@williamreidltd.com>

Subject: RE: [EXT]RE: Kronenwetter WTP pressure filter J0030780

Thank you

Ken Ligman

Senior Engineer

Becher-Hoppe Associates, Inc.

330 N. 4th Street | Wausau WI | 54403

Direct 715-845-0432 | Office 715-845-8000

kligman@becherhoppe.com | www.becherhoppe.com

This email message is for the sole use of the intended recipient(s) and may contain confidential and privileged information. Any unauthorized review, use, disclosure or distribution is prohibited. If you are not the intended recipient, please contact the sender by reply email and destroy all copies of the original message

From: Nina HALVERSON <n.halverson@kurita-water.com>

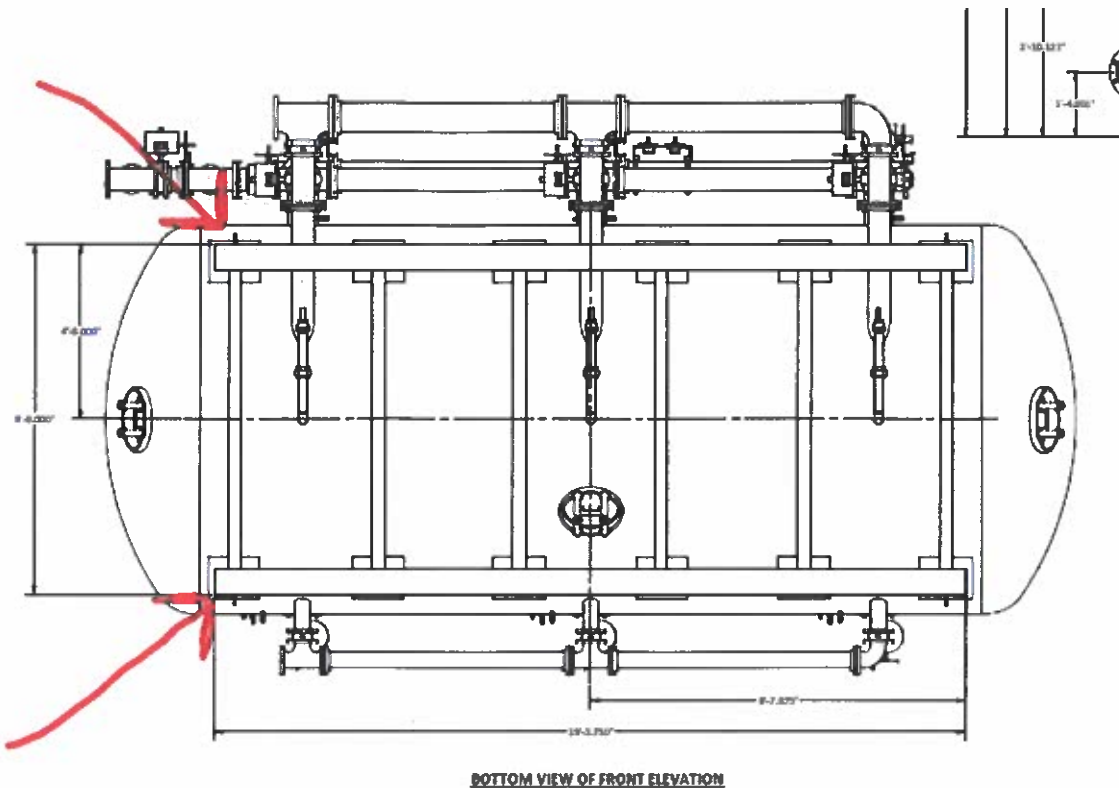
Sent: Wednesday, February 28, 2024 9:30 AM

To: Kenneth J. Ligman <kligman@becherhoppe.com>; Alan SCHNEIDER <a.schneider@kurita-water.com>

Cc: Matthew R. Patterson <mpatterson@becherhoppe.com>; Patrick Ingle <patrick@williamreidltd.com>

Subject: RE: [EXT]RE: Kronenwetter WTP pressure filter J0030780

There are not, just the two side support angles will make contact with the ground and those are 8" wide.



Nina Halverson

Project Manager

Desk 763-957-1947 | Mobile 651-706-0498 | n.halverson@kurita-water.com

Kurita America Inc. | www.kuritaamerica.com

How are we doing? Take our short survey!



From: Kenneth J. Ligman <kligman@becherhoppe.com>

Sent: Wednesday, February 28, 2024 9:06 AM

To: Nina HALVERSON <n.halverson@kurita-water.com>; Alan SCHNEIDER <a.schneider@kurita-water.com>

Cc: Matthew R. Patterson <mpatterson@becherhoppe.com>; Patrick Ingle <patrick@williamreidltd.com>

Subject: RE: [EXT]RE: Kronenwetter WTP pressure filter J0030780

Are there horizontal members on each side that connect all the leg supports and the leg supports rest on? If so, what are the dimensions of these members?

Ken Ligman

Senior Engineer

Becher-Hoppe Associates, Inc.

330 N. 4th Street | Wausau WI | 54403

Direct 715-845-0432 | Office 715-845-8000

kligman@becherhoppe.com | www.becherhoppe.com

This email message is for the sole use of the intended recipient(s) and may contain confidential and privileged information. Any unauthorized review, use, disclosure or distribution is prohibited. If you are not the intended recipient, please contact the sender by reply email and destroy all copies of the original message

From: Nina HALVERSON <n.halverson@kurita-water.com>
Sent: Tuesday, February 27, 2024 11:39 AM
To: Kenneth J. Ligman <kligman@becherhoppe.com>; Alan SCHNEIDER <a.schneider@kurita-water.com>
Cc: Matthew R. Patterson <mpatterson@becherhoppe.com>; Patrick Ingle <patrick@williamreidltd.com>
Subject: RE: [EXT]RE: Kronenwetter WTP pressure filter J0030780

Ken,

Attached is the General Arrangement drawing, also included in your Submittal packet. Page 3 of this drawing shows the skid dimensions. Is this sufficient or do you need the actual stock size of the frame beams that are on the floor?

Let me know if that is needed, I can get more information for you on that.

Thank you,

Nina Halverson

Project Manager

Desk 763-957-1947 | Mobile 651-706-0498 | n.halverson@kurita-water.com

Kurita America Inc. | www.kuritaamerica.com

[How are we doing? Take our short survey!](#)



From: Kenneth J. Ligman <kligman@becherhoppe.com>
Sent: Tuesday, February 27, 2024 11:28 AM
To: Nina HALVERSON <n.halverson@kurita-water.com>; Alan SCHNEIDER <a.schneider@kurita-water.com>
Cc: Matthew R. Patterson <mpatterson@becherhoppe.com>; Patrick Ingle <patrick@williamreidltd.com>
Subject: [EXT]RE: Kronenwetter WTP pressure filter J0030780

Still waiting. See below. We need to know the dimensions of the supports that will contact the floor.

From: Kenneth J. Ligman
Sent: Thursday, February 01, 2024 10:44 AM
To: Nina HALVERSON <n.halverson@kurita-water.com>
Cc: Matthew R. Patterson <mpatterson@becherhoppe.com>; Patrick Ingle <patrick@williamreidltd.com>
Subject: Kronenwetter WTP pressure filter J0030780

Please provide a drawing/description of the support skid for the pressure filter.
Thanks.

Ken Ligman
Senior Engineer

Becher-Hoppe Associates, Inc.
330 N. 4th Street | Wausau WI | 54403

This email message is for the sole use of the intended recipient(s) and may contain confidential and privileged information. Any unauthorized review, use, disclosure or distribution is prohibited. If you are not the intended recipient, please contact the sender by reply email and destroy all copies of the original message

This e-mail message and all attachments transmitted with it contain confidential and proprietary business information owned by Kurita America Inc. and intended solely for the use of the addressee. The transmission of this e-mail may be legally privileged. If the recipient of this message is not the intended person or entity, you are hereby notified that any reading, dissemination, distribution, copying, or other use of this message, its contents, hyperlinks, and attached files of any kind is strictly prohibited. If you have received this message in error, please notify the sender immediately by a reply to this electronic mail message and delete this message and all copies and backups thereof. All rights to the information contained in this e-mail are reserved by Kurita America Inc.

This e-mail message and all attachments transmitted with it contain confidential and proprietary business information owned by Kurita America Inc. and intended solely for the use of the addressee. The transmission of this e-mail may be legally privileged. If the recipient of this message is not the intended person or entity, you are hereby notified that any reading, dissemination, distribution, copying, or other use of this message, its contents, hyperlinks, and attached files of any kind is strictly prohibited. If you have received this message in error, please notify the sender immediately by a reply to this electronic mail message and delete this message and all copies and backups thereof. All rights to the information contained in this e-mail are reserved by Kurita America Inc.

This e-mail message and all attachments transmitted with it contain confidential and proprietary business information owned by Kurita America Inc. and intended solely for the use of the addressee. The transmission of this e-mail may be legally privileged. If the recipient of this message is not the intended person or entity, you are hereby notified that any reading, dissemination, distribution, copying, or other use of this message, its contents, hyperlinks, and attached files of any kind is strictly prohibited. If you have received this message in error, please notify the sender immediately by a reply to this electronic mail message and delete this message and all copies and backups thereof. All rights to the information contained in this e-mail are reserved by Kurita America Inc.

This e-mail message and all attachments transmitted with it contain confidential and proprietary business information owned by Kurita America Inc. and intended solely for the use of the addressee. The transmission of this e-mail may be legally privileged. If the recipient of this message is not the intended person or entity, you are hereby notified that any reading, dissemination, distribution, copying, or other use of this message, its contents, hyperlinks, and attached files of any kind is strictly prohibited. If you have received this message in error, please notify the sender immediately by a reply to this electronic mail message and delete this message and all copies and backups thereof. All rights to the information contained in this e-mail are reserved by Kurita America Inc.

This e-mail message and all attachments transmitted with it contain confidential and proprietary business information owned by Kurita America Inc. and intended solely for the use of the addressee. The transmission of this e-mail may be legally privileged. If the recipient of this message is not the intended person or entity, you are hereby notified that any reading, dissemination, distribution, copying, or other use of this message, its contents, hyperlinks, and attached files of any kind is strictly prohibited. If you have received this message in error, please notify the sender immediately by a reply to this electronic mail message and delete this message and all copies and backups thereof. All rights to the information contained in this e-mail are reserved by Kurita America Inc.

This e-mail message and all attachments transmitted with it contain confidential and proprietary business information owned by Kurita America Inc. and intended solely for the use of the addressee. The transmission of this e-mail may be legally privileged. If the recipient of this message is not the intended

person or entity, you are hereby notified that any reading, dissemination, distribution, copying, or other use of this message, its contents, hyperlinks, and attached files of any kind is strictly prohibited. If you have received this message in error, please notify the sender immediately by a reply to this electronic mail message and delete this message and all copies and backups thereof. All rights to the information contained in this e-mail are reserved by Kurita America Inc.

[CAUTION: This email originated from outside of the organization. Do not click links or open attachments unless you recognize the sender and know the content is safe]

This e-mail message and all attachments transmitted with it contain confidential and proprietary business information owned by Kurita America Inc. and intended solely for the use of the addressee. The transmission of this e-mail may be legally privileged. If the recipient of this message is not the intended person or entity, you are hereby notified that any reading, dissemination, distribution, copying, or other use of this message, its contents, hyperlinks, and attached files of any kind is strictly prohibited. If you have received this message in error, please notify the sender immediately by a reply to this electronic mail message and delete this message and all copies and backups thereof. All rights to the information contained in this e-mail are reserved by Kurita America Inc.

[CAUTION: This email originated from outside of the organization. Do not click links or open attachments unless you recognize the sender and know the content is safe]

This e-mail message and all attachments transmitted with it contain confidential and proprietary business information owned by Kurita America Inc. and intended solely for the use of the addressee. The transmission of this e-mail may be legally privileged. If the recipient of this message is not the intended person or entity, you are hereby notified that any reading, dissemination, distribution, copying, or other use of this message, its contents, hyperlinks, and attached files of any kind is strictly prohibited. If you have received this message in error, please notify the sender immediately by a reply to this electronic mail message and delete this message and all copies and backups thereof. All rights to the information contained in this e-mail are reserved by Kurita America Inc.

This e-mail message and all attachments transmitted with it contain confidential and proprietary business information owned by Kurita America Inc. and intended solely for the use of the addressee. The transmission of this e-mail may be legally privileged. If the recipient of this message is not the intended person or entity, you are hereby notified that any reading, dissemination, distribution, copying, or other use of this message, its contents, hyperlinks, and attached files of any kind is strictly prohibited. If you have received this message in error, please notify the sender immediately by a reply to this electronic mail message and delete this message and all copies and backups thereof. All rights to the information contained in this e-mail are reserved by Kurita America Inc.