



City of Ketchum

August 3, 2020

Mayor Bradshaw and City Councilors
City of Ketchum
Ketchum, Idaho

Mayor Bradshaw and City Councilors:

Recommendation to approve Right-of-Way Encroachment Agreement 20495 with Cox Communications for placement of telecommunications infrastructure in the City Right-of-Way

Recommendation and Summary

Staff is recommending the Council approve the attached Encroachment Agreement 20495 and adopt the following motion:

"I move to authorize the Mayor to sign Encroachment Agreement 20495 with Cox Communications."

The reasons for the recommendation are as follows:

- The encroachment is necessary to provide services at 1 Community School Drive.
- The encroachment will have no impact on pedestrian or public access

Introduction and History

Cox Communications would like to install approximately 270 ft of new fiber and conduit within the City's right-of-way along Spruce Street to service the Community School. A portion of the project is located on Sun Valley Road within Idaho Transportation Department's right-of-way and will require a separate permit from the Idaho Transportation Department for that work.

City code requires a right-of-way encroachment permit for any permanent encroachment in the public right-of-way. These agreements are intended to help protect the City in the event the proposed encroachments were to ever pose an issue requiring repair of the encroachment or relocation.

Analysis

Engineering, Streets, and Water Departments have reviewed the layout of the proposed utilities. In consideration of future projects and current operations, the proposed encroachments were determined not to impact public access or maintenance.

Financial Impact

There is no financial impact resulting from approval of this encroachment agreement.

Attachments:

Encroachment Agreement 20495

WHEN RECORDED, PLEASE RETURN TO:

**OFFICE OF THE CITY CLERK
CITY OF KETCHUM
POST OFFICE BOX 2315
KETCHUM, IDAHO 83340**

RIGHT-OF-WAY ENCROACHMENT AGREEMENT 20495

THIS AGREEMENT, made and entered into this ____ day of ____, 2020, by and between the CITY OF KETCHUM, IDAHO, a municipal corporation ("Ketchum"), whose address is Post Office Box 2315, Ketchum, Idaho and _____, representing Cox Communications, (collectively referred to as "Owner"), whose address is 3031 N 120th St., Omaha, NE 68164.

RECITALS

WHEREAS, Owner wishes to permit placement of telecommunications improvements in the right-of-way on Spruce Street between Sun Valley Road and 4th Street. These improvements are shown in Exhibit "A" attached hereto and incorporated herein (collectively referred to as the "Improvements"); and,

WHEREAS, Ketchum finds that said Improvements will not impede the use of said public right-of-way at this time subject to the terms and provisions of this Agreement;

WHEREAS, the Owner will restore the sidewalk, street, curb and gutter and any landscaping back to the original condition acceptable to the Streets and Facilities Director;

NOW, THEREFORE, in contemplation of the above stated facts and objectives, it is hereby agreed as follows:

TERMS AND CONDITIONS

1. Ketchum shall permit Owner to install telecommunications infrastructure identified in Exhibit "A" within the public right-of-way on Spruce Street between Sun Valley Road and 4th Street, until notified by Ketchum to remove the infrastructure at which time Owner shall remove infrastructure at Owner's expense.
2. Owner shall be responsible for the maintenance of said Improvements and shall repair said improvements within 48 hours upon notice from Ketchum that repairs are needed.
3. Owner shall be responsible for restoring the sidewalk, curb and gutter and landscaping that is altered due to the construction and installation of the vault, to the satisfaction of the Director of Streets and Facilities.
4. In consideration of Ketchum allowing Owner to maintain the Improvements in the public right-of-way, Owner agrees to indemnify and hold harmless Ketchum from and against any and all claims of liability for any injury or damage to any person or property arising from the Improvements constructed, installed and maintained in the public right-of-way. Owner shall further indemnify and hold Ketchum harmless from and against any and all claims arising from

any breach or default in the performance of any obligation on Owner's part to be performed under this Agreement, or arising from any negligence of Owner or Owner's agents, contractors or employees and from and against all costs, attorney's fees, expenses and liabilities incurred in the defense of any such action or proceeding brought thereon. In the event any action or proceeding is brought against Ketchum by reason of such claim, Owner, upon notice from Ketchum, shall defend Ketchum at Owner's expense by counsel satisfactory to Ketchum. Owner, as a material part of the consideration to Ketchum, hereby assumes all risk of damages to property or injury to persons in, upon or about the Improvements constructed, installed and maintained in the public right-of-way arising from the construction, installation and maintenance of said Improvements and Owner hereby waives all claims in respect thereof against Ketchum.

5. Ketchum shall not be liable for injury to Owner's business or loss of income therefrom or for damage which may be sustained by the person, goods, wares, merchandise or property of Owner, its tenants, employees, invitees, customers, agents or contractors or any other person in or about the Subject Property caused by or resulting from the Improvements constructed, installed, removed or maintained in the public right-of-way.

6. Owner understands and agrees that by maintaining the Improvements in the public right-of-way pursuant to this Agreement, Owner obtains no claim or interest in said public right-of-way which is adverse to that of Ketchum and that Owner obtains no exclusive right to said public right-of-way nor any other right to use the public right-of-way not specifically described herein.

7. In the event either party hereto retains an attorney to enforce any of the rights, duties and obligations arising out of this Agreement, the prevailing party shall be entitled to recover from the non-prevailing party reasonable attorney's fees at the trial and appellate levels and, whether or not litigation is actually instituted.

8. This Agreement shall be governed by, construed, and enforced in accordance with the laws and decisions of the State of Idaho. Venue shall be in the District Court of the fifth Judicial District of the State of Idaho.

9. This Agreement sets forth the entire understanding of the parties hereto, and shall not be changed or terminated orally. It is understood and agreed by the parties hereto that there are no verbal promises or implied promises, agreements, stipulations or other representations of any kind or character pertaining to the Improvements maintained in the public right-of-way other than as set forth in this Agreement.

10. No presumption shall exist in favor of or against any party to this Agreement as the result of the drafting and preparation of this document.

11. This Agreement shall be recorded with the Blaine County Recorder by Ketchum.

12. The parties fully understand all of the provisions of this Agreement, and believe them to be fair, just, adequate and reasonable, and accordingly accept the provisions of this Agreement freely and voluntarily.

OWNER:

CITY OF KETCHUM:

By: _____

By: _____
Neil Bradshaw
Its: Mayor

STATE OF _____,)
County of _____,) ss.
)

On this ____ day of _____, 2020, before me, the undersigned Notary Public in and for said State, personally appeared _____, known to me to be the person who executed the foregoing instrument and acknowledged to me that he executed the same.

IN WITNESS WHEREOF, I have hereunto set my hand and affixed my official seal the day and year first above written.

Notary Public for _____
Residing at _____
Commission expires _____

STATE OF IDAHO)
County of Blaine) ss.
)

On this ___ day of _____, 2020, before me, the undersigned Notary Public in and for said State, personally appeared NEIL BRADSHAW, known or identified to me to be the Mayor of the CITY OF KETCHUM, IDAHO, and the person who executed the foregoing instrument on behalf of said municipal corporation and acknowledged to me that said municipal corporation executed the same.

IN WITNESS WHEREOF, I have hereunto set my hand and seal the day and year in this certificate first above written.

Notary Public for _____
Residing at _____
Commission expires _____

EXHIBIT "A"

COX COMMUNICATIONS

SPRUCE AVE AND SUN VALLEY ROAD BORING PROJECT

SUMMER 2020

CONSTRUCTION NOTES

- ALL CONSTRUCTION SHALL BE IN CONFORMANCE WITH THE MOST CURRENT EDITION OF THE "IDAHO STANDARDS FOR PUBLIC WORKS CONSTRUCTION" (ISPCW) AND CITY OF KETCHUM & CITY OF SUN VALLEY STANDARDS. THE CONTRACTOR SHALL BE RESPONSIBLE FOR OBTAINING AND KEEPING A COPY OF THE ISPCW AND CITY OF KETCHUM & CITY OF SUN VALLEY STANDARDS ON SITE DURING CONSTRUCTION.
- THE LOCATION OF EXISTING UNDERGROUND UTILITIES ARE SHOWN ON THE PLANS IN AN APPROXIMATE WAY. A SITE SURVEY OF EXISTING UTILITIES WAS NOT CONDUCTED FOR THIS PROJECT. THE CONTRACTOR SHALL BE RESPONSIBLE FOR LOCATING EXISTING UTILITIES PRIOR TO COMMENCING AND DURING THE CONSTRUCTION. THE CONTRACTOR AGREES TO BE FULLY RESPONSIBLE FOR ANY AND ALL DAMAGES WHICH RESULT FROM HIS FAILURE TO ACCURATELY LOCATE AND PRESERVE ANY AND ALL UNDERGROUND UTILITIES. CONTRACTOR SHALL CALL DIGLINE (1-800-342-1585) TO LOCATE ALL EXISTING UNDERGROUND UTILITIES A MINIMUM OF 48 HOURS IN ADVANCE OF EXCAVATION.
- CONTRACTOR SHALL COORDINATE DRY UTILITY FACILITIES IMPACTS (POWER, CABLE, PHONE, TV) WITH THE APPROPRIATE UTILITY FRANCHISE.
- THE CONTRACTOR SHALL CLEAN UP THE SITE AFTER CONSTRUCTION SO THAT IT IS IN A CONDITION EQUAL TO OR BETTER THAN THAT WHICH EXISTED PRIOR TO CONSTRUCTION.
- THE CONTRACTOR SHALL OBTAIN ALL NECESSARY PERMITS PRIOR TO CONSTRUCTION (THIS MAY INCLUDE ENCROACHMENT PERMITS AND NATIONAL POLLUTANT DISCHARGE ELIMINATION SYSTEM (NPDES) CONSTRUCTION GENERAL PERMIT (CGP) PERMIT COVERAGE).
- ALL CLEARING & GRUBBING SHALL CONFORM TO ISPCW SECTION 201.
- ALL EXCAVATION & EMBANKMENT SHALL CONFORM TO ISPCW SECTION 202. SUBGRADE SHALL BE EXCAVATED AND SHAPED TO LINE, GRADE, AND CROSS-SECTION SHOWN ON THE PLANS. THE SUBGRADE SHALL BE COMPACTED TO 95% OF MAXIMUM DENSITY AS DETERMINED BY ASTM D4958. THE CONTRACTOR SHALL WATER OR AERATE SUBGRADE AS NECESSARY TO OBTAIN OPTIMUM MOISTURE CONTENT. IN LIEU OF DENSITY MEASUREMENTS, THE SUBGRADE MAY BE PROOF-ROLLED TO THE APPROVAL OF THE ENGINEER.
 - PROOF-ROLLING: AFTER EXCAVATION TO THE SUBGRADE ELEVATION AND PRIOR TO PLACING COURSE GRAVEL, THE CONTRACTOR SHALL PROOF ROLL THE SUBGRADE WITH A 5-TON SMOOTH DRUM ROLLER, LOADED WATER TRUCK, OR LOADED DUMP TRUCK, AS ACCEPTED BY THE ENGINEER. THE CONTRACTOR SHALL IMMEDIATELY NOTIFY THE ENGINEER OF UNSUITABLE SUBGRADE MATERIAL AREAS, AND/OR AREAS NOT CAPABLE OF COMPACTION ACCORDING TO THESE SPECIFICATIONS. UNSUITABLE OR DAMAGED SUBGRADE IS WHEN THE SOIL MOVES, PUMPS AND/OR DISPLACES UNDER ANY TYPE OF PRESSURE INCLUDING FOOT TRAFFIC LOADS.
 - IF, IN THE OPINION OF THE ENGINEER, THE CONTRACTOR'S OPERATIONS RESULT IN DAMAGE TO, OR PROTECTION OF, THE SUBGRADE, THE CONTRACTOR SHALL, AT HIS OWN EXPENSE, REPAIR THE DAMAGED SUBGRADE BY OVER-EXCAVATION OF UNSUITABLE MATERIAL TO FIRM SUBSOIL, LINE EXCAVATION WITH GEOTEXTILE FABRIC, AND BACKFILL WITH PIT RUN GRAVEL.
- ALL 2" MINUS GRAVEL SHALL CONFORM TO ISPCW 802, TYPE II (ITD STANDARD 703.04, 2"), SHALL BE PLACED IN CONFORMANCE WITH ISPCW SECTION 801 AND COMPACTED PER SECTION 202. MINIMUM COMPACTION OF PLACED MATERIAL SHALL BE 90% OF MAXIMUM LABORATORY DENSITY AS DETERMINED BY AASHTO T-99.
- ALL 3/4" MINUS CRUSHED GRAVEL SHALL CONFORM TO ISPCW 802, TYPE I (ITD STANDARD 703.04, 3/4" B), SHALL BE PLACED IN CONFORMANCE WITH ISPCW SECTION 802 AND COMPACTED PER SECTION 202. MINIMUM COMPACTION OF PLACED MATERIAL SHALL BE 95% OF MAXIMUM LABORATORY DENSITY AS DETERMINED BY AASHTO T-99 OR ITD T-91.
- ALL ASPHALTIC CONCRETE PAVEMENT WORK SHALL CONFORM TO ISPCW SECTIONS 805, 810, AND 811 FOR CLASS II PAVEMENT. ASPHALT AGGREGATE SHALL BE 1/2" (13MM) NOMINAL SIZE CONFORMING TO TABLE 803B IN ISPCW SECTION 803. ASPHALT BINDER SHALL BE PG 58-28 CONFORMING TO TABLE A-1 IN ISPCW SECTION 805. ASPHALT REPLACEMENT SHALL CONFORM TO CITY OF KETCHUM STANDARD DRAWINGS NO. 3.
- ASPHALT SAWCUTS SHALL BE AS INDICATED ON THE DRAWINGS, OR 24" INCHES FROM EDGE OF EXISTING ASPHALT, IF NOT INDICATED OTHERWISE SO AS TO PROVIDE A CLEAN PAVEMENT EDGE FOR MATCHING. NO WHEEL CUTTING SHALL BE ALLOWED.
- THE CONTRACTOR SHALL BE RESPONSIBLE FOR PROVIDING TRAFFIC CONTROL PER THE CURRENT EDITION OF THE US DEPARTMENT OF TRANSPORTATION MANUAL OF UNIFORM TRAFFIC CONTROL DEVICES (MUTCD).
- ALL CONCRETE WORK SHALL CONFORM TO ISPCW SECTIONS 701, 703, AND 705. ALL CONCRETE SHALL BE 3,000 PSI MINIMUM, 28 DAY, AS DEFINED IN ISPCW SECTION 703, TABLE 1. IMMEDIATELY AFTER PLACEMENT PROTECT CONCRETE BY APPLYING MEMBRANE-FORMING CURING COMPOUND, TYPE 2, CLASS A PER ASTM C 309-94. APPLY CURING COMPOUND PER MANUFACTURER'S INSTRUCTIONS AND SPECIFICATIONS. CONCRETE REPLACEMENT SHALL CONFORM TO CITY OF KETCHUM STANDARD DRAWING NO. 7.
- ALL TRENCHING SHALL CONFORM TO CITY OF KETCHUM STANDARD DRAWING NO. 12. TRENCHES SHALL BE BACKFILLED AND COMPACTED TO A MINIMUM OF 95% OF MAXIMUM DENSITY AS DETERMINED BY AASHTO T-99.
- PER IDAHO CODE § 55-1613, THE CONTRACTOR SHALL RETAIN AND PROTECT ALL MONUMENTS, ACCESSORIES TO CORNERS, BENCHMARKS AND POINTS SET IN CONTROL SURVEYS; ALL MONUMENTS, ACCESSORIES TO CORNERS, BENCHMARKS AND POINTS SET IN CONTROL SURVEYS THAT ARE LOST OR DISTURBED BY CONSTRUCTION SHALL BE REESTABLISHED AND RE-MONUMENTED, AT THE EXPENSE OF THE AGENCY OR PERSON CAUSING THEIR LOSS OR DISTURBANCE AT THEIR ORIGINAL LOCATION OR BY SETTING OF A WITNESS CORNER OR REFERENCE POINT OR A REPLACEMENT BENCHMARK OR CONTROL POINT, BY OR UNDER THE DIRECTION OF A PROFESSIONAL LAND SURVEYOR.
- ALL REPAIRS MUST MATCH EXISTING LINES, GRADES, AND DRAINAGE PATTERNS. REPAIR AND REPLACE IN KIND ALL EXISTING FEATURE OR IMPROVEMENTS DAMAGED DURING CONSTRUCTION, INCLUDING LANDSCAPE AND IRRIGATION. ALL REPAIRS SHALL RESULT IN EQUAL OR BETTER QUALITY.
- RESTRICT ALL CONSTRUCTION ACTIVITIES TO WITHIN EXISTING EASEMENTS AND RIGHT-OF-WAY.
- CONTRACTOR SHALL COMPLETE A CONSTRUCTION MANAGEMENT PLAN CONSISTENT WITH CITY OF KETCHUM AND CITY OF SUN VALLEY STANDARDS.

GENERAL NOTES

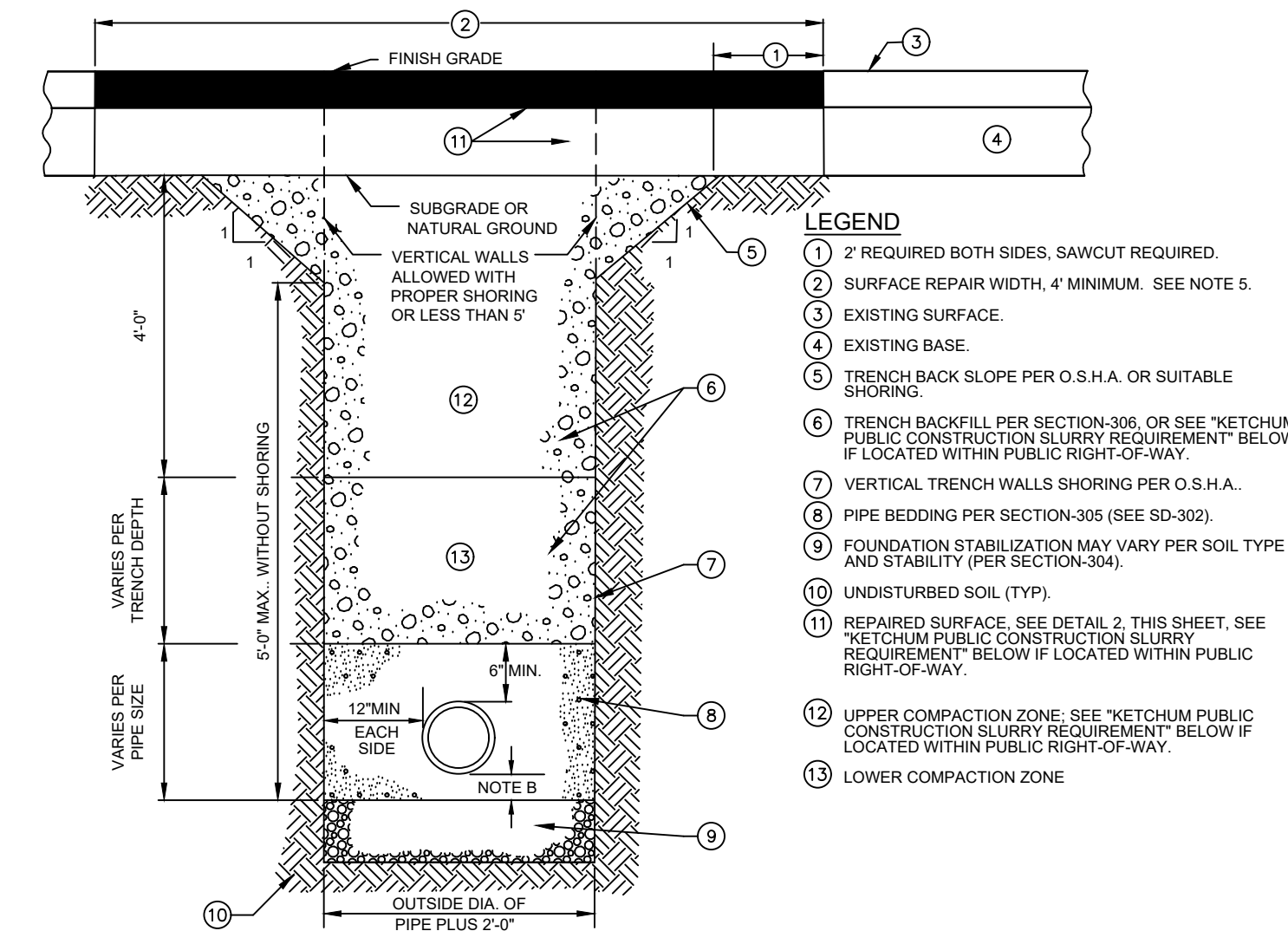
- The purpose of this plan set is to provide repair details for disturbances associated with the proposed extents of the new bored Cox Communications line. The alignment and vault/ped locations shown hereon are per a map by Cox Communications received June 30, 2020. Galena Engineering has not engineered the communications line alignment, vault/pedestal locations, or vault/pedestal details.
- Right-of-way information shown hereon are approximate per Blaine County GIS.
- Sub-surface utility locations are approximate and are based upon City of Ketchum Maps and Idaho Power utility location maps.
- Galena Engineering Inc. has not received a Title Policy from the client and has not been requested to obtain one. Relevant information that may be contained within a Title Policy may therefore not appear on this map and may affect items shown hereon. It is the responsibility of the client to determine the significance of the Title Policy information and determine whether it should be included. If the client desires for the information to be included they must furnish said information to Galena Engineering, Inc. and request it be added to this map.
- Temperatures for paving and patch back must be 40 degrees and rising.
- If there is a material change from approved drawings, provide as-built drawings to city when completed for city records.
- Construction required to meet applicable City of Ketchum's & City of Sun Valley's Construction Activity Standards including:
 - Public Noticing
 - Dust, mud, sand, and gravel control on all streets
 - Temporary Restrooms
 - The site shall be kept in a clean and orderly condition.
 - Trash shall be picked up on the site and surrounding areas on a daily basis, and materials shall be stored in neat tidy piles.
- Staging location must be coordinated with the City of Ketchum and City of Sun Valley.
- Construction hours are between 7:30 am to 7:00 pm on weekdays and Saturdays, no construction is permitted on Sundays or major Holidays.

CITY OF KETCHUM- WATER DEPARTMENT NOTE

No less than 6 ft of separation from all utility infrastructure, both water and sewer, is required. 6 ft is the distance required for bank layback near any lines. Contractor shall confirm separations.

CITY OF KETCHUM- STREET DEPARTMENT NOTES

- May 1st starting date is weather dependent.
- Dig permit is required which will require detailed traffic control plan.
- Size of project requires increased bond amount (to be determined). Please provide a cost estimate of street repairs required for project.
- Public notice announcement in Mountain Express as well as Door knockers to those impacted are required at least three days in advance.
- Contractor needs to be on job daily until complete (Weekends and Holidays excluded).
- Flaggers will be required at residential and business entrances as needed. This will need to be addressed on detailed traffic control plan.
- Keep one lane open always unless full closure is necessary (access for residential and businesses must be maintained).
- Keep trenching cuts straight and neat.
- All asphalt cuts to be sawcut and two feet back from the deepest underdrain.
- Contractor will not trench more than can be slurried and backfilled per day.
- No holes open overnight more than one foot deep (unless plated or barricaded per the MUTCD).
- Contractor is required to keep streets clean from rocks, dirt, mud, etc. daily (sweep).
- Street department must be called for inspection before back fill, slurry, and asphalt.
- Keep asphalt cut joints out of wheel lanes if possible.



- #### LEGEND
- 2" REQUIRED BOTH SIDES, SAWCUT REQUIRED.
 - SURFACE REPAIR WIDTH, 4" MINIMUM. SEE NOTE 5.
 - EXISTING SURFACE.
 - EXISTING BASE.
 - TRENCH BACK SLOPE PER O.S.H.A. OR SUITABLE SHORING.
 - TRENCH BACKFILL PER SECTION 305, SEE "KETCHUM PUBLIC CONSTRUCTION SLURRY REQUIREMENT" BELOW IF LOCATED WITHIN PUBLIC RIGHT-OF-WAY.
 - PIPE BEDDING PER SECTION 305 (SEE SD-302).
 - FOUNDATION STABILIZATION MAY VARY PER SOIL TYPE AND STABILITY (PER SECTION 304).
 - UNDISTURBED SOIL (TYP.)
 - REPAIRED SURFACE, SEE DETAIL 2, THIS SHEET, SEE "KETCHUM PUBLIC CONSTRUCTION SLURRY REQUIREMENT" BELOW IF LOCATED WITHIN PUBLIC RIGHT-OF-WAY.
 - UPPER COMPACTION ZONE, SEE "KETCHUM PUBLIC CONSTRUCTION SLURRY REQUIREMENT" BELOW IF LOCATED WITHIN PUBLIC RIGHT-OF-WAY.
 - LOWER COMPACTION ZONE.

PUBLIC CONSTRUCTION SLURRY REQUIREMENT

IN AREAS WHERE IT IS NECESSARY TO CUT THE ASPHALT PAVEMENT AND DIG A TRENCH FOR BURIAL OF CONDUIT CABLE OR OTHER CITY UTILITY, THE TRENCH SHALL BE BACKFILLED WITH A LEAN CONCRETE MIX TO THE BOTTOM OF FINISH SURFACE MATERIAL WITH THE FOLLOWING PROPORTIONS OF MATERIALS:

COARSE AGGREGATE (3/4" MINUS)	2,600 LBS
SAND	800 LBS
PORTLAND CEMENT	94 LBS
WATER	11 GAL (MAX.)

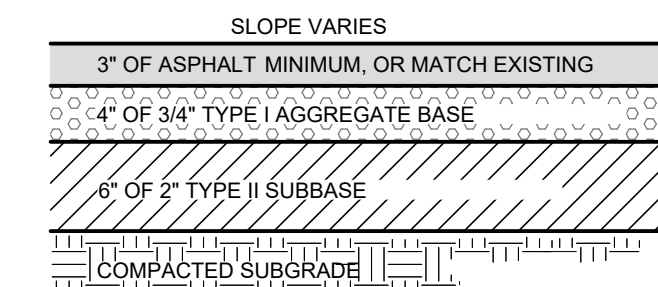
WATER CONTENT IS MAXIMUM AND MAY BE REDUCED DOWNWARD. CARE SHALL BE TAKEN TO ASSURE THAT EXCESS WATER IS NOT PRESENT IN THE MIXING DRUM PRIOR TO CHARGING THE MIXER WITH MATERIALS. THOROUGH MIXING WILL BE REQUIRED PRIOR TO DISCHARGE.

NO COMPACTION, VIBRATION, OR FINISHING IS REQUIRED. THE LEAN CONCRETE MIX SHALL BE STRUCK OFF AT OR BELOW THE ELEVATION OF THE PLANT MIX SURFACING WITH A SQUARE-NOSE SHOVEL OR SIMILAR HAND TOOL. THE BACKFILL MIX SHALL BE ALLOWED TO SET FOR A MINIMUM OF 2 HOURS BEFORE THE PERMANENT PLANT MIX SURFACING IS PLACED TO COMPLETE THE TRENCH REPAIR. TEMPORARY PLACEMENT OF ASPHALT COLD MIX SURFACING MAY BE NECESSARY TO ACCOMMODATE TRAFFIC WITHIN THE FIRST 2 HOURS OF BACKFILL PLACEMENT PRIOR TO COMPLETING THE PERMANENT REPAIR.

NOTES:

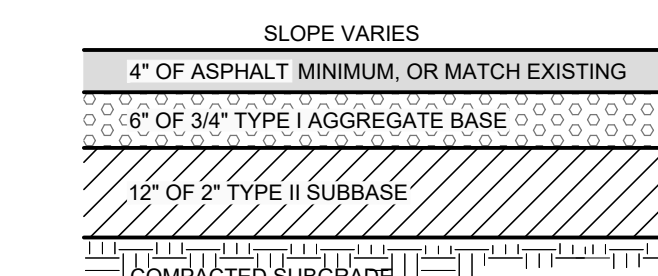
- TRENCH EXCAVATION PER SECTION 301.
- PIPE BEDDING PER SECTION 305.
- BACKFILL AND COMPACTION PER SECTION 305.
- SURFACE REPAIR AND BASE PER DETAIL 3.
- ASPHALT PAVEMENT FOR SURFACE REPAIR SHALL BE IN ACCORDANCE WITH PLANS AND ISPCW SECTIONS 805, 810, AND 811 FOR CLASS II PAVEMENT. ASPHALT AGGREGATE SHALL BE 1/2" (13MM) NOMINAL SIZE CONFORMING TO TABLE 803B IN ISPCW SECTION 803. ASPHALT BINDER SHALL BE PG 58-28 CONFORMING TO TABLE A-1 IN ISPCW SECTION 805.
- IF TRENCH IMPACTS CROWN OF ROADWAY, CROWN MUST BE MAINTAINED AND POSITIVE DRAINAGE PROVIDED.

1
C1.0
CITY OF KETCHUM STANDARD DRAWING NO. 12
APPLICABLE TO CITY OF SUN VALLEY
N.T.S.

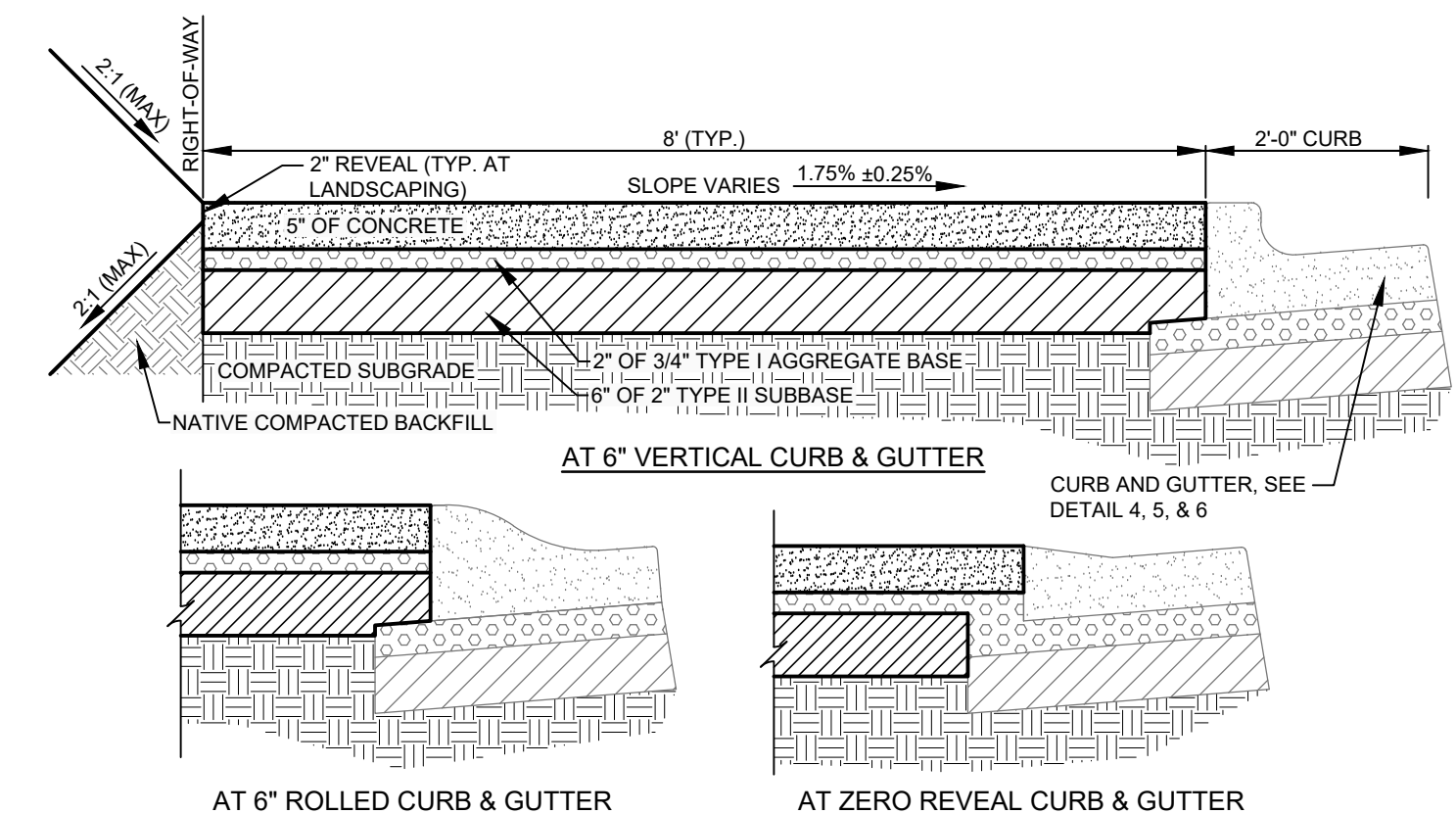


- #### NOTES:
- SUBBASE CAN BE 2" TYPE II OR 3/4" TYPE I CRUSHED AGGREGATE BASE COURSE.
 - MATERIALS SHALL CONFORM WITH CURRENT ISPCW STANDARDS, DIVISION 800 AGGREGATES AND ASPHALT.
 - PAVEMENT SECTION MAY BE MODIFIED IF A PROJECT SPECIFIC GEOTECHNICAL REPORT, STAMPED BY A LICENSED ENGINEER, IS PROVIDED.

2
C1.0
TYPICAL STREET ASPHALT SECTION
CITY OF KETCHUM STANDARD DRAWING NO. 3
N.T.S.



3
C1.0
TYPICAL STREET ASPHALT SECTION
CITY OF SUN VALLEY STANDARD
N.T.S.



- #### NOTES:
- INSTALL SCORE JOINTS AT INTERVALS TO MATCH WIDTH OF WALK NOT TO EXCEED 5 FEET SPACING IN BOTH THE LONGITUDINAL AND TRANSVERSE DIRECTION FOR SIDEWALK GREATER THAN 5 FEET IN WIDTH. INSTALL EXPANSION JOINTS EVERY 10 FEET IN LONGITUDINAL DIRECTION.
 - 1/2" TRANSVERSE PREFORMED BITUMINOUS JOINTS AT THE TERMINUS POINTS FOR CURVE AND WHERE SIDEWALK IS PLACED BETWEEN TWO PERMANENT FOUNDATIONS OR ADJACENT TO THE STRUCTURE. PLACE 1/2" EXPANSION JOINT MATERIAL ALONG THE BACK OF WALK THE FULL LENGTH.
 - SIDEWALK CONSTRUCTION JOINTS SHALL BE CONSTRUCTED APPROXIMATELY 1/2" WIDE, 3/4" IN DEPTH AND FINISHED AND EDGED SMOOTH. A PREFORMED EXPANSION JOINT FILLER SHALL BE PLACED EVERY 40' FOR NEW SIDEWALK CONSTRUCTION.
 - WHEN TRANSITIONING NEW SIDEWALK TO EXISTING, A MINIMUM 5' TRANSITIONAL PANEL SHALL BE SEPARATED AND ISOLATED WITH EXPANSION MATERIAL.
 - SIDEWALK ALIGNMENT TRANSITIONS SHALL HAVE A MINIMUM RADIUS OF 30' TO THE FACE OF CURB.
 - MATERIALS SHALL CONFORM WITH CURRENT ISPCW STANDARDS, DIVISION 800 AGGREGATES AND ASPHALT.

4
C1.0
CONCRETE SIDEWALK WITH CURB AND GUTTER
CITY OF KETCHUM STANDARD DRAWING NO. 7
N.T.S.



VICINITY MAP
SCALE: 1"=500'

REUSE OF DRAWINGS: These drawings, or any portion thereof, shall not be used on any project or extension of this project except by agreement in writing with Galena Engineering, Inc.

COVER SHEET
COX COMMUNICATIONS: SPRUCE AVE / SUN VALLEY RD
LOCATED WITHIN SECTION 18, T. 4 N., R. 18 E., S. 4 M., CITY OF KETCHUM AND CITY OF SUN VALLEY, BLAINE COUNTY, IDAHO
PREPARED FOR COX COMMUNICATIONS

PROJECT INFORMATION
1852-COX_SV_Rd and Spruce Ave 07/16/20 12:40:40 PM
ORIGINAL SIGNED BY
SAMANTHA STAHNECKER
DATE ORIGINAL SIGNED:
07/20/2020

DESIGNED BY
FRM
DRAWN BY
SKS
CHECKED BY

ORIGINAL ON FILE AT
OFFICE OF GALENA
ENGINEERING
(HAILEY, ID)

PURPOSE: ISSUE FOR AGENCY REVIEW (7/20/2020)

NO.	DATE	BY	REVISIONS

GALENA
ENGINEERING, INC.
Civil Engineers & Land Surveyors
317 N. River Street
Hailey, Idaho 83433
(208) 768-1705
email: galena@galena-engineering.com

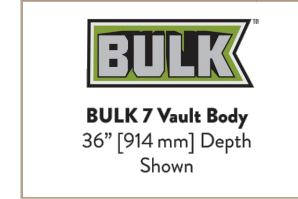
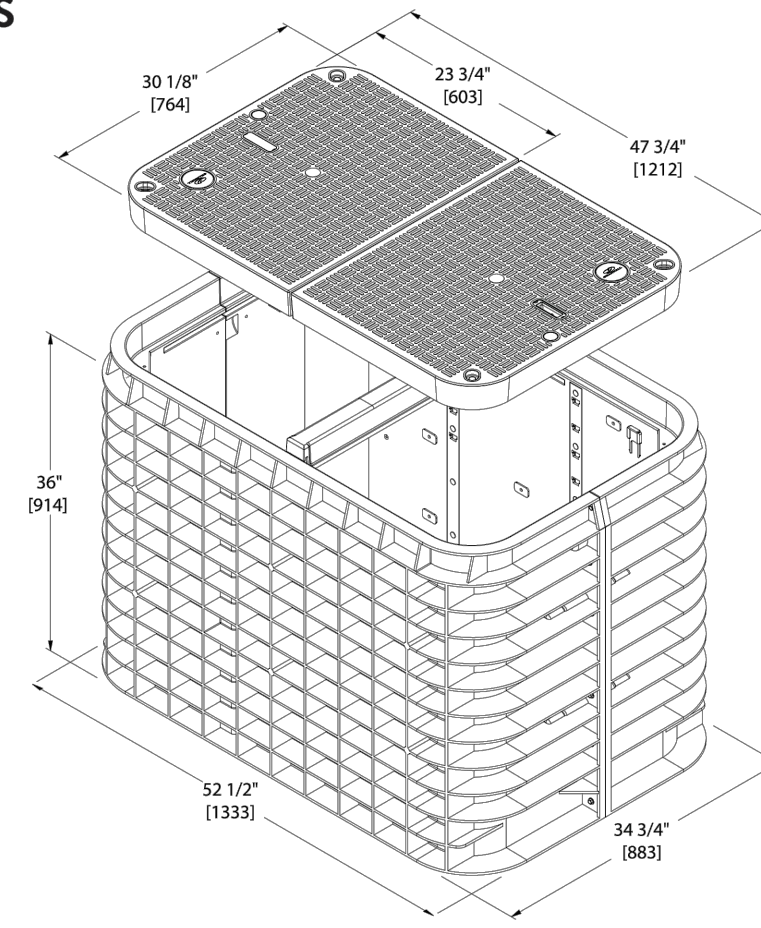
C1.0

BULK 7 Series

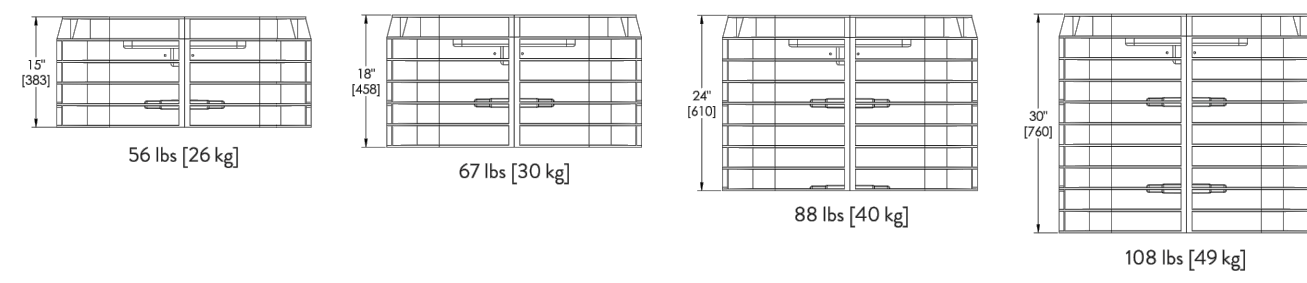
TECHNICAL SPECIFICATIONS

BODY SPECIFICATIONS

Cover Weight (5/16" 1/2 Cover) 50 lbs [23 kg]
 Pit Weight 129 lbs [59 kg]
 Assembled Weight 229 lbs [105 kg]



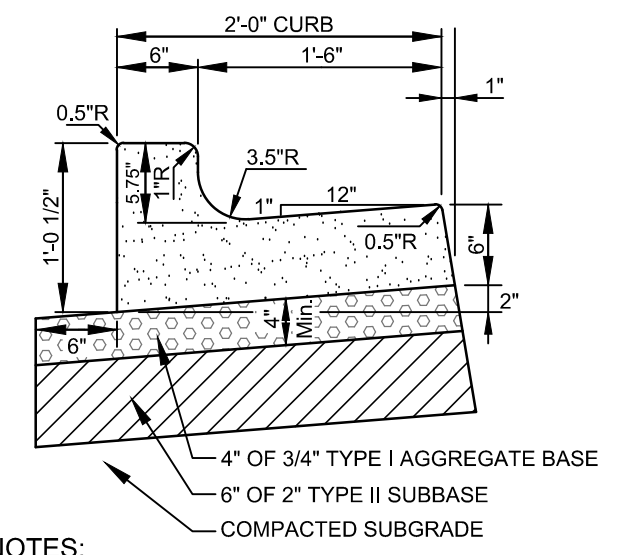
ADDITIONAL BODY DEPTHS



©2018 Channell Commercial Corporation. All rights reserved. Updated 8.8.18

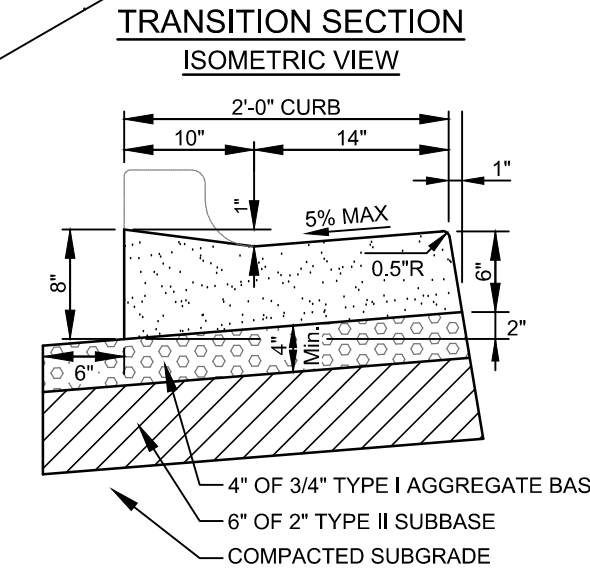
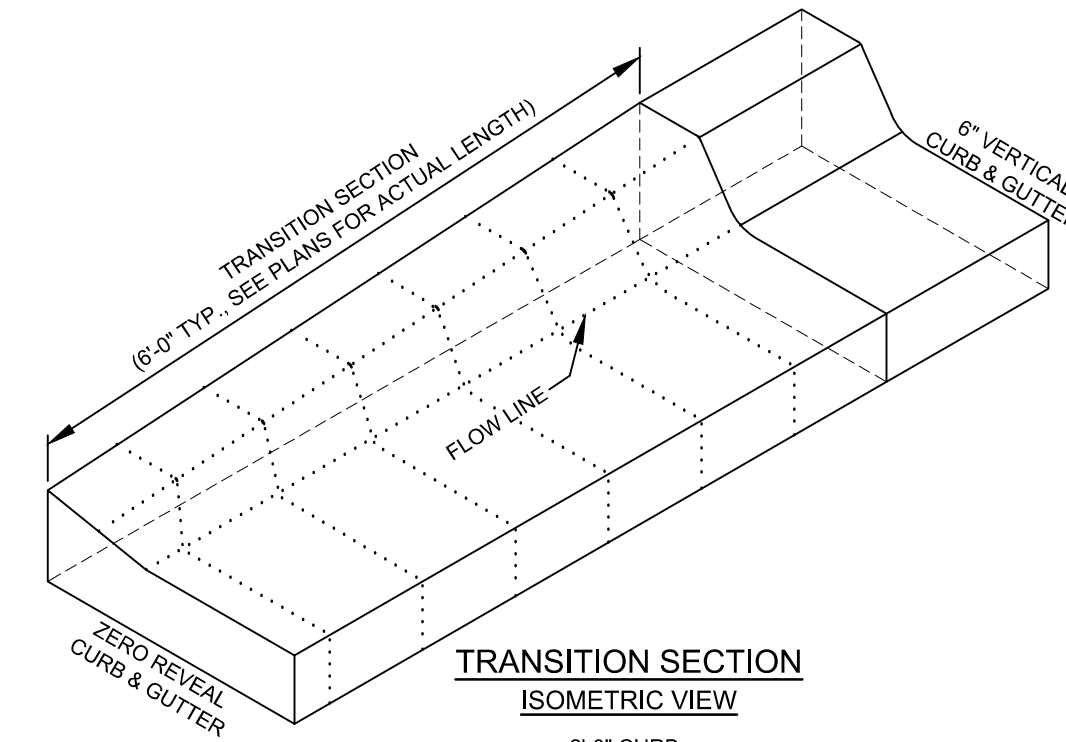
1
C1.1

VAULT DETAIL
N.T.S.



- NOTES:
- 1/2-INCH PREFORMED EXPANSION JOINT MATERIAL (AASHTO M 213) AT TERMINAL POINTS OF RADII.
 - CONTINUOUS PLACEMENT PREFERRED. SCORE INTERVALS TO MATCH SIDEWALK WITH 10-FOOT MAXIMUM SPACING.
 - MATERIALS SHALL CONFORM WITH CURRENT ISPPWC STANDARDS, DIVISION 800 AGGREGATES AND ASPHALT.

2
C1.1 6" CONCRETE VERTICAL CURB & GUTTER
N.T.S.



3
C1.1 TYPICAL CURB TRANSITION DETAIL
N.T.S.

- NOTES:
- 1/2-INCH PREFORMED EXPANSION JOINT MATERIAL (AASHTO M 213) AT TERMINAL POINTS OF RADII.
 - CONTINUOUS PLACEMENT PREFERRED. SCORE INTERVALS TO MATCH SIDEWALK WITH 10-FOOT MAXIMUM SPACING.
 - MATERIALS SHALL CONFORM WITH CURRENT ISPPWC STANDARDS, DIVISION 800 AGGREGATES AND ASPHALT.

VAULT AND PEDESTAL DETAILS
 COX COMMUNICATIONS: SPRUCE AVE / SUN VALLEY RD
 LOCATED WITHIN SECTION 18, T.4 N., R.18 E., B.M., CITY OF KETCHUM AND CITY OF SUN VALLEY, BLAINE COUNTY, IDAHO
 PREPARED FOR COX COMMUNICATIONS
 PROJECT INFORMATION
 Prepared by: 7/22/2020
 Construction: 7/22/2020
 Date: 07/20/2020

ORIGINAL SIGNED BY
 SAMANTHA STAHLNECKER
 DATE ORIGINAL SIGNED:
 07/20/2020

DESIGNED BY
 FRM
 DRAWN BY
 SKS
 CHECKED BY

GALENA
 ENGINEERING, INC.
 Civil Engineers & Land Surveyors
 317 N. River Street
 Hailey, Idaho 83433
 (208) 788-1705
 email: galena@galena-engineering.com

NO.	DATE	BY	REVISIONS

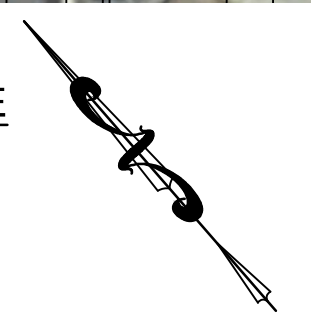
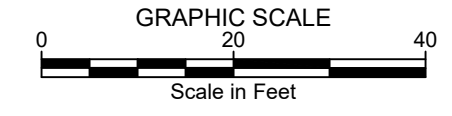
PURPOSE: ISSUE FOR AGENCY REVIEW (7/20/2020)

C1.1

REUSE OF DRAWINGS: These drawings, or any portion thereof, shall not be used on any project or extensions of this Project except by agreement in writing with Galena Engineering, Inc.



PLAN VIEW: SPRUCE AVE

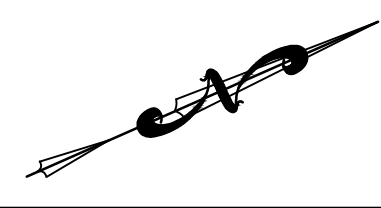
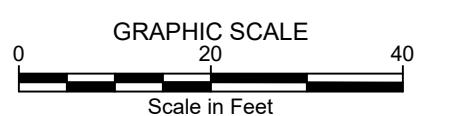


- NOTES**
- SEE SHEET C1.0 FOR ADDITIONAL NOTES.
 - AERIAL IMAGERY SHOWN HEREON PER GOOGLE EARTH. AERIAL IMAGERY MAY NOT SHOW CURRENT CONDITIONS.
 - THE PURPOSE OF THIS PLAN SET IS TO PROVIDE REPAIR DETAILS FOR DISTURBANCES ASSOCIATED WITH PROPOSED EXTENTS OF THE NEW BORED COX COMMUNICATIONS LINE. THE ALIGNMENT AND VAULT/PEDESTAL LOCATIONS SHOWN HEREON ARE PER A MAP BY COX COMMUNICATIONS RECEIVED JUNE 30, 2020. GALENA ENGINEERING HAS NOT ENGINEERED THE COMMUNICATIONS LINE ALIGNMENT, VAULT/PEDESTAL LOCATIONS, OR VAULT/PEDESTAL DETAILS.
 - SUB-SURFACE UTILITY LOCATIONS ARE APPROXIMATE AND ARE BASED UPON CITY OF KETCHUM MAPS AND IDAHO POWER UTILITY LOCATION MAPS.
 - ALL REPAIRS MUST MATCH EXISTING LINES, GRADES, AND DRAINAGE PATTERNS. DAMAGED LANDSCAPE AND IRRIGATION SHALL BE REPAIRED. ALL REPAIRS SHALL RESULT IN EQUAL OR BETTER QUALITY.

- LEGEND**
- CITY LIMITS
 - EXISTING UNDERGROUND POWER LINE PER IDAHO POWER
 - EXISTING OVERHEAD POWER LINE PER IDAHO POWER
 - EXISTING POWER POLE
 - EXISTING POWER TRANSFORMER/SWITCH
 - EXISTING POWER SECTER BOX
 - KCW EXISTING WATER MAIN
 - EXISTING FIRE HYDRANT
 - EXISTING WATER VALVE
 - EXISTING SEWER MANHOLE
 - EXISTING SEWER MAIN
 - PROPOSED COMMUNICATIONS LINE (APPROX. BORING LOCATION SHOWN PER COX)
 - PROPOSED COMMUNICATIONS VAULT
 - POTENTIAL DISTURBED AREA; MATCH EXISTING LINES, GRADES, AND DRAINAGE PATTERNS



PLAN VIEW: SUN VALLEY ROAD



REUSE OF DRAWINGS: These drawings, or any portion thereof, shall not be used on any project or extension of this Project except by agreement in writing with Galena Engineering, Inc.

PLAN SHEET
COX COMMUNICATIONS: SPRUCE AVE / SUN VALLEY RD
 LOCATED WITHIN SECTION 18, T.4 N., R.18 E., S.M., CITY OF KETCHUM AND CITY OF SUN VALLEY, BLAINE COUNTY, IDAHO
 PREPARED FOR COX COMMUNICATIONS
 PROJECT INFORMATION
 Samantha.Stahlecker@GalenaEngineering.com 07/16/20 2:40:40 PM

ORIGINAL SIGNED BY
 SAMANTHA STAHLNECKER
 DATE ORIGINAL SIGNED:
 07/20/2020

 ORIGINAL ON FILE AT
 OFFICE OF GALENA
 ENGINEERING
 (HAILEY, ID)

DESIGNED BY
 FRM
 DRAWN BY
 SKS
 CHECKED BY

GALENA
ENGINEERING, INC.
 Civil Engineers & Land Surveyors
 317 N. River Street
 Hailey, Idaho 83433
 (208) 788-1705
 email: galena@galena-engineering.com

PURPOSE: ISSUE FOR AGENCY REVIEW (7/20/2020)

NO.	DATE	BY	REVISIONS

C1.2