

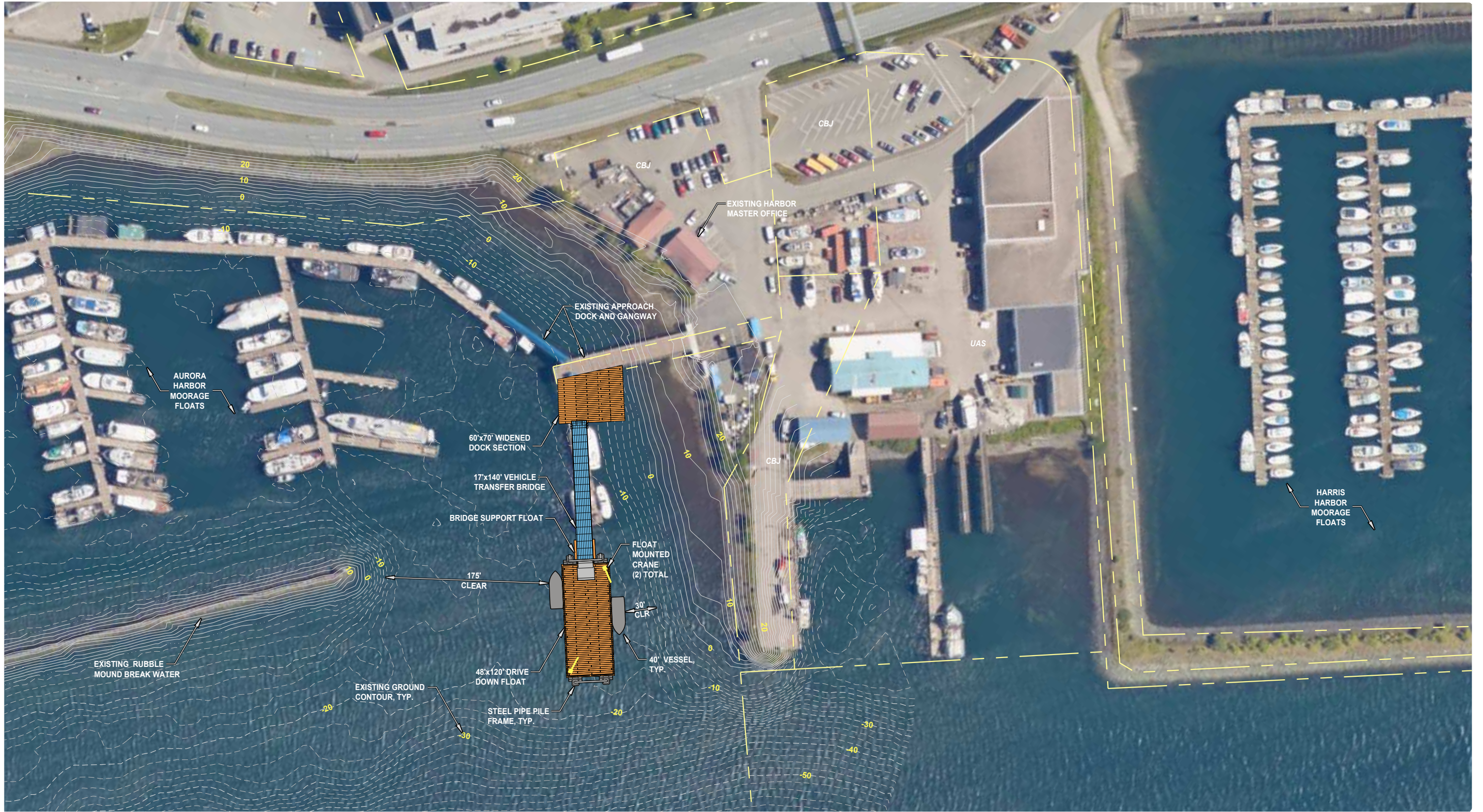
Concept No 1

REVISIONS					
REV	DATE	DESCRIPTION	DWN	CHK	APP

CITY AND BOROUGH OF JUNEAU
DOCKS & HARBORS
 155 SOUTH SEWARD STREET
 JUNEAU, ALASKA 99801
 PHONE: 907-586-0292

**EXISTING CONDITIONS AND
 DEMOLITION PLAN**
 AURORA HARBOR DRIVE DOWN FLOAT

DESIGN:	BMI	DATE:	APRIL 4, 2023
CHECKED:	CRS	CONTRACT NO.:	DH24-0XX
APPROVED:		FILE NO.	232029 SHEET: 1 of 2



SCALE IN FEET
0 50 100 FT.

DH CAD TEMPLATE



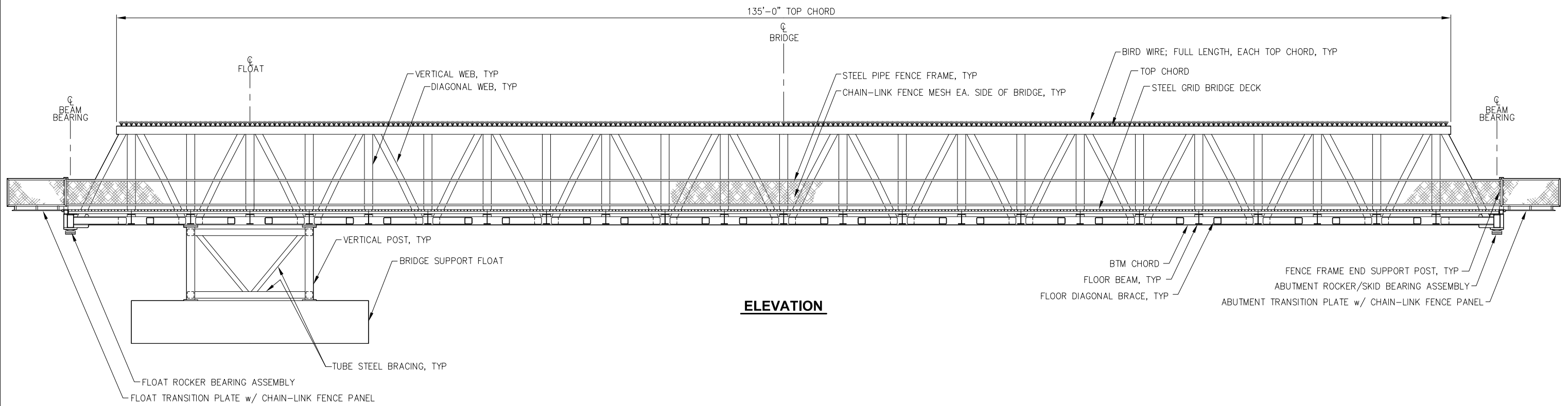
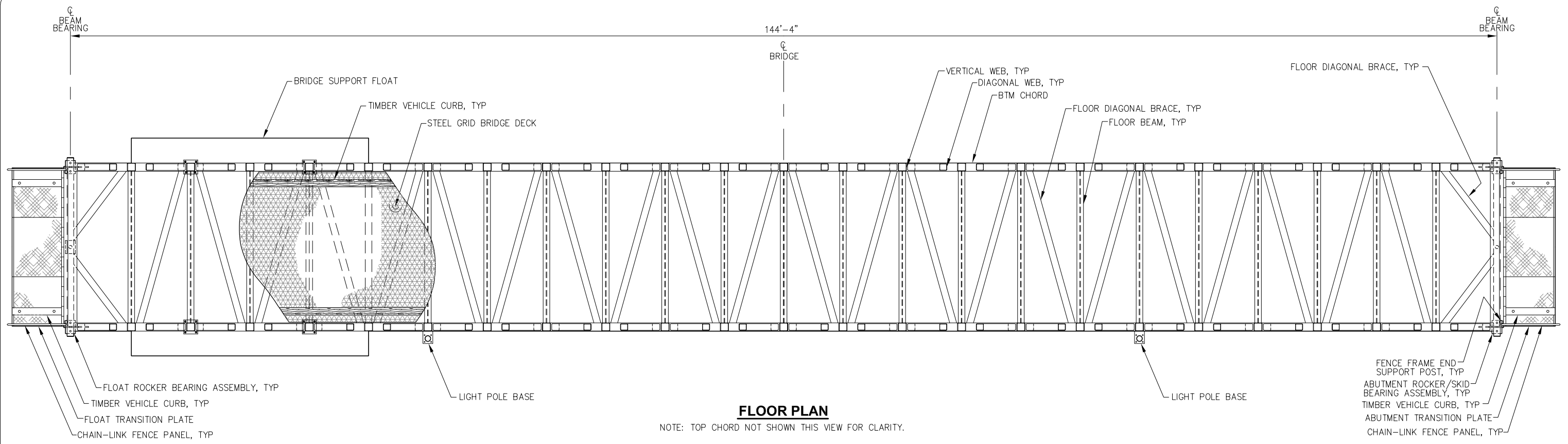
REVISIONS					
REV	DATE	DESCRIPTION	DWN	CHK	APP

CITY AND BOROUGH OF JUNEAU
DOCKS & HARBORS
 155 SOUTH SEWARD STREET
 JUNEAU, ALASKA 99801
 PHONE: 907-586-0292

CONCEPT NO. 1

AURORA HARBOR DRIVE DOWN FLOAT

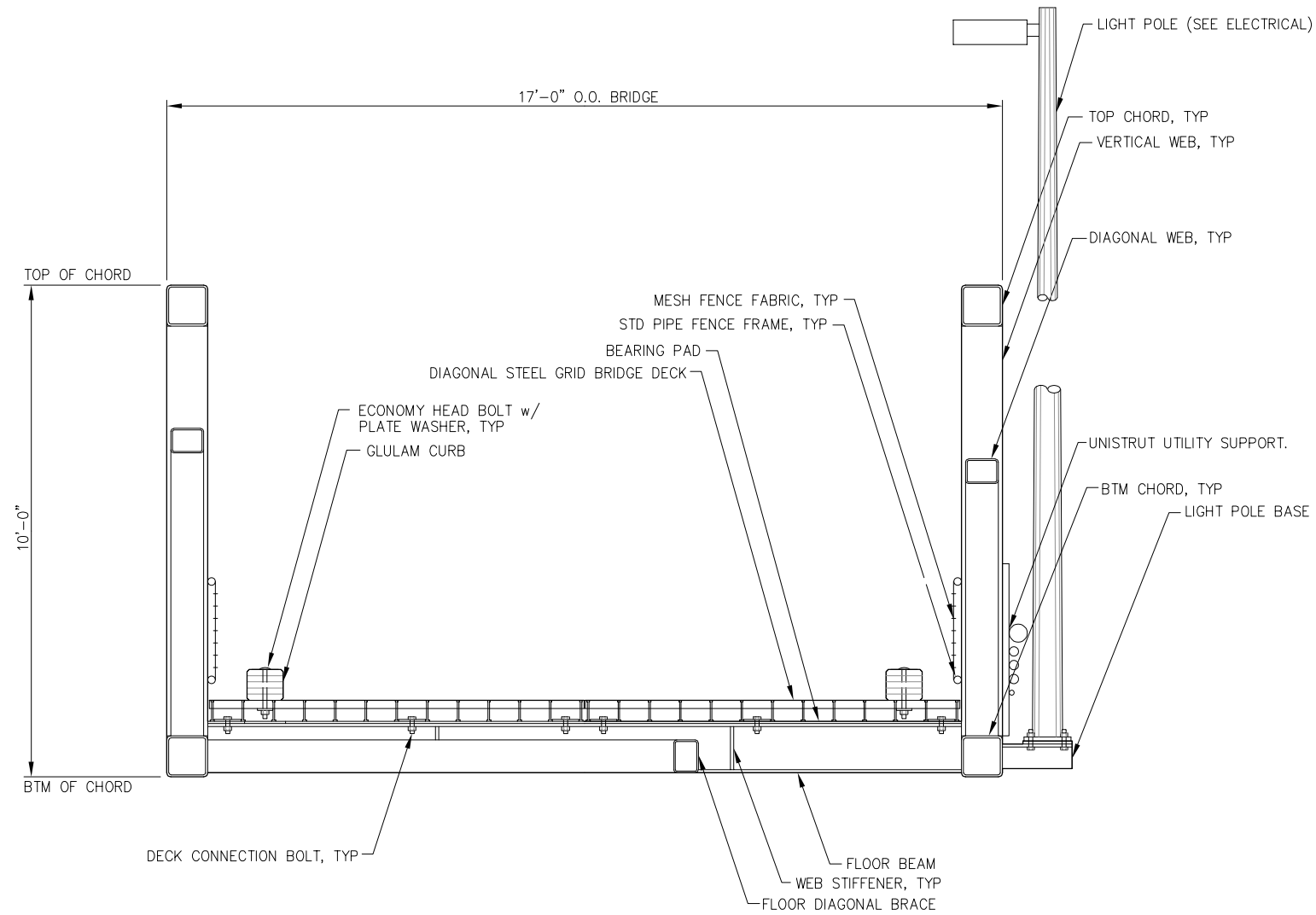
DESIGN:	BMI	DATE:	APRIL 4, 2023
CHECKED:	CRS	CONTRACT NO.:	DH24-0XX
APPROVED:		FILE NO. 232029	SHEET: 2 of 2



REVISIONS					
REV	DATE	DESCRIPTION	DWN	CHK	APP

CITY AND BOROUGH OF JUNEAU
DOCKS & HARBORS
 155 SOUTH SEWARD STREET
 JUNEAU, ALASKA 99801
 PHONE: 907-586-0292

PRELIMINARY DESIGN TRANSFER BRIDGE PLAN AND ELEVATION AURORA HARBOR DRIVE DOWN FLOAT			
DESIGN:	BMI	DATE:	APRIL 26, 2023
CHECKED:	CRS	CONTRACT NO.:	DH24-0XX
APPROVED:		FILE NO.	232029 SHEET: 1 of 5



TYPICAL TRANSFER BRIDGE SECTION

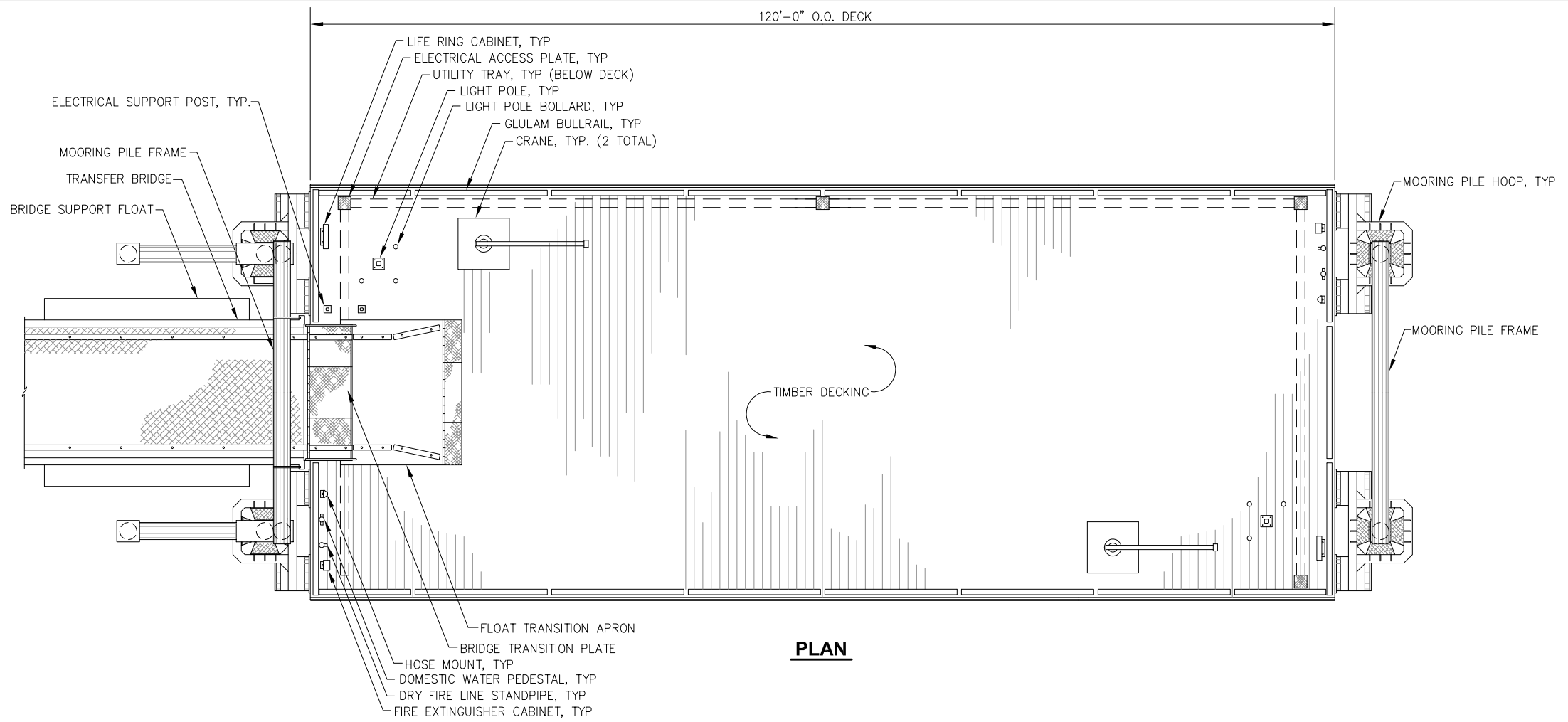


REVISIONS					
REV	DATE	DESCRIPTION	DWN	CHK	APP

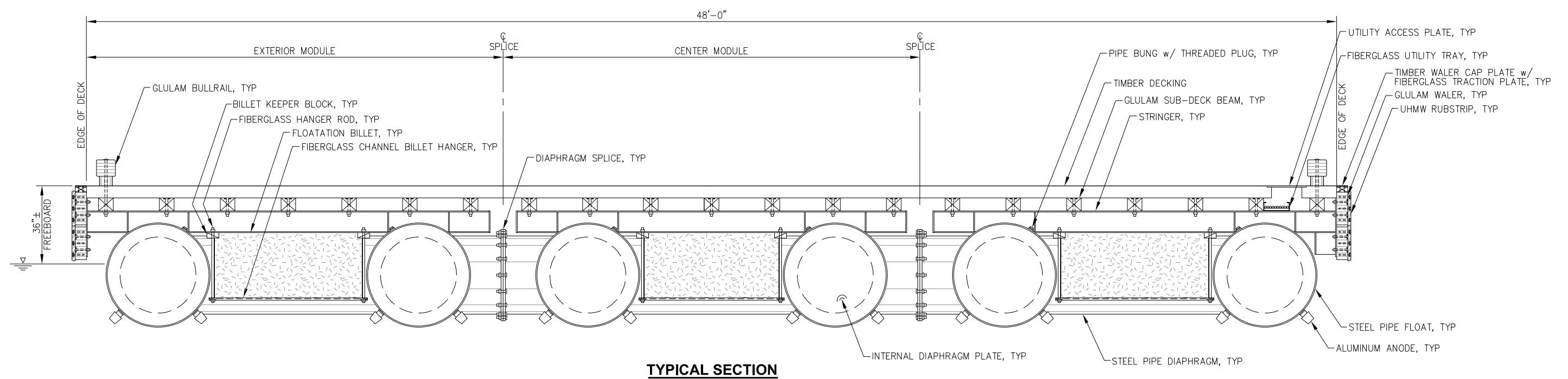
CITY AND BOROUGH OF JUNEAU
DOCKS & HARBORS
 155 SOUTH SEWARD STREET
 JUNEAU, ALASKA 99801
 PHONE: 907-586-0292

PRELIMINARY DESIGN
 TYPICAL SECTION
 AURORA HARBOR DRIVE DOWN FLOAT

DESIGN:	BMI	DATE:	APRIL 26, 2023
CHECKED:	CRS	CONTRACT NO.:	DH24-0XX
APPROVED:		FILE NO.	232029 SHEET: 2 of 5



PLAN



TYPICAL SECTION

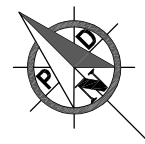


REVISIONS					
REV	DATE	DESCRIPTION	DWN	CHK	APP

CITY AND BOROUGH OF JUNEAU
DOCKS & HARBORS
 155 SOUTH SEWARD STREET
 JUNEAU, ALASKA 99801
 PHONE: 907-586-0292

PRELIMINARY DESIGN
DRIVE-DOWN FLOAT PLAN AND TYPICAL SECTION
AURORA HARBOR DRIVE DOWN FLOAT

DESIGN:	BMI	DATE:	APRIL 26, 2023
CHECKED:	CRS	CONTRACT NO.:	DH24-0XX
APPROVED:		FILE NO.	232029 SHEET: 3 of 5



BULLRAIL w/ HANDRAIL

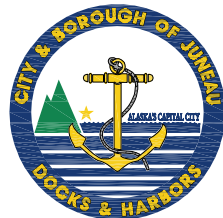
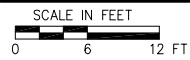
TRANSFER BRIDGE

EXISTING GANGWAY

EXISTING APPROACH DOCK

TIMBER DECK

APPROACH DOCK - PLAN

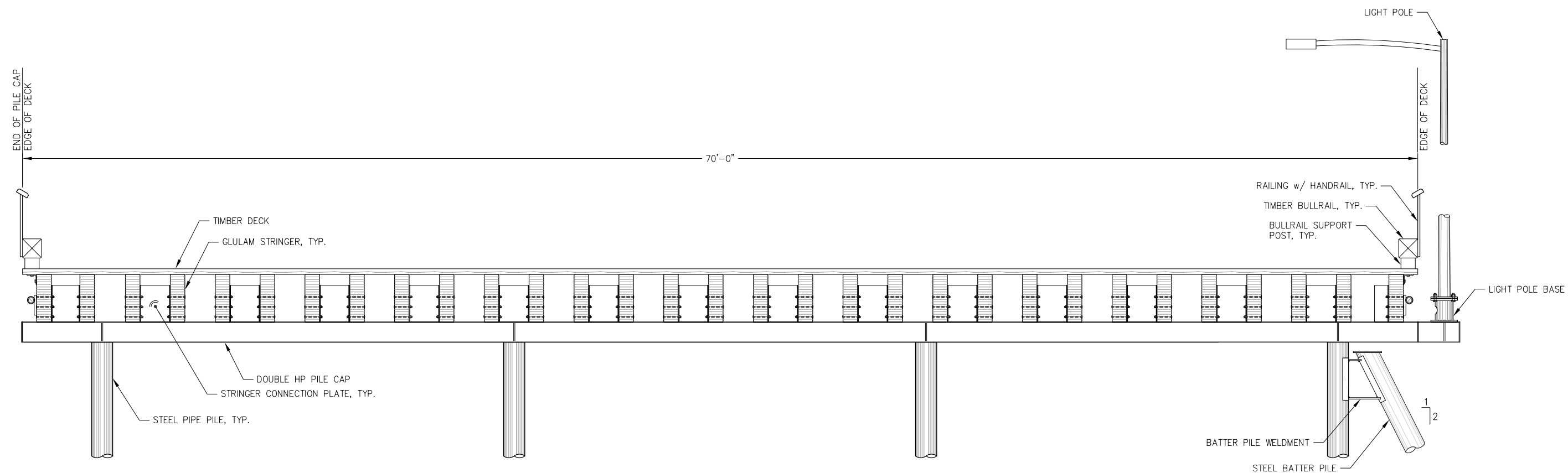


REVISIONS					
REV	DATE	DESCRIPTION	DWN	CHK	APP

CITY AND BOROUGH OF JUNEAU
DOCKS & HARBORS
 155 SOUTH SEWARD STREET
 JUNEAU, ALASKA 99801
 PHONE: 907-586-0292

PRELIMINARY DESIGN
 APPROACH DOCK PLAN
 AURORA HARBOR DRIVE DOWN FLOAT

DESIGN:	BMI	DATE:	APRIL 26, 2023
CHECKED:	CRS	CONTRACT NO.:	DH24-0XX
APPROVED:		FILE NO.	232029 SHEET: 4 of 5



APPROACH DOCK TYPICAL SECTION



REVISIONS					
REV	DATE	DESCRIPTION	DWN	CHK	APP

CITY AND BOROUGH OF JUNEAU
DOCKS & HARBORS
 155 SOUTH SEWARD STREET
 JUNEAU, ALASKA 99801
 PHONE: 907-586-0292

PRELIMINARY DESIGN
 APPROACH DOCK TYPICAL SECTION
 AURORA HARBOR DRIVE DOWN FLOAT

DESIGN:	BMI	DATE:	APRIL 26, 2023
CHECKED:	CRS	CONTRACT NO.:	DH24-0XX
APPROVED:		FILE NO.	232029 SHEET: 5 of 5