

JOHNSTOWN FARMS FILING NO. 2

A PARCEL OF LAND LOCATED IN THE SOUTHWEST QUARTER OF SECTION 9, TOWNSHIP 4 NORTH, RANGE 67 WEST OF THE 6TH PRINCIPAL MERIDIAN, TOWN OF JOHNSTOWN, COUNTY OF WELD, STATE OF COLORADO

DEDICATION:

KNOW ALL PERSONS BY THESE PRESENTS THAT POST MODERN DEVELOPMENT, LLC a Colorado limited liability company, being the sole owner(s) in fee of:

A PORTION OF THE SOUTHWEST QUARTER OF SECTION 9, TOWNSHIP 4 NORTH, RANGE 67 WEST OF THE SIXTH PRINCIPAL MERIDIAN, COUNTY OF WELD, STATE OF COLORADO, BEING MORE PARTICULARLY DESCRIBED AS FOLLOWS:

BEGINNING AT THE WEST QUARTER CORNER OF SAID SECTION 9, WHENCE THE CENTER QUARTER CORNER OF SAID SECTION 9, BEARS SOUTH 89°24'30" EAST, A DISTANCE OF 2711.57 FEET, ALL BEARINGS HEREON ARE REFERENCED TO THIS LINE;

THENCE ALONG THE NORTH LINE OF THE SOUTHWEST QUARTER OF SAID SECTION 9, SOUTH 89°24'30" EAST, A DISTANCE OF 1400.63 FEET TO THE WESTERLY LINE OF JOHNSTOWN FARMS FILING NO. 3 RECORDED AT RECEPTION NO. 4568150, IN THE RECORDS OF THE CLERK AND RECORDER OF SAID COUNTY;

THENCE ALONG SAID WESTERLY LINE THE FOLLOWING TWENTY-TWO (22) COURSES:

1. SOUTH 00°35'30" WEST, A DISTANCE OF 243.05 FEET;
2. SOUTH 17°05'56" EAST, A DISTANCE OF 312.42 FEET;
3. SOUTH 08°16'54" WEST, A DISTANCE OF 101.30 FEET;
4. SOUTH 73°48'58" WEST, A DISTANCE OF 301.18 FEET;
5. SOUTH 38°14'03" WEST, A DISTANCE OF 293.89 FEET;
6. SOUTH 18°23'04" EAST, A DISTANCE OF 163.95 FEET;
7. SOUTH 22°16'35" WEST, A DISTANCE OF 164.82 FEET;
8. SOUTH 34°51'09" EAST, A DISTANCE OF 193.10 FEET (SEE NOTE 13);
9. SOUTH 39°39'32" WEST, A DISTANCE OF 314.41 FEET;
10. NORTH 86°13'22" EAST, A DISTANCE OF 210.38 FEET;
11. SOUTH 29°49'13" EAST, A DISTANCE OF 160.73 FEET;
12. SOUTH 00°51'36" EAST, A DISTANCE OF 178.22 FEET;
13. SOUTH 48°25'30" WEST, A DISTANCE OF 98.93 FEET;
14. NORTH 90°00'00" WEST, A DISTANCE OF 75.86 FEET;
15. NORTH 59°40'57" WEST, A DISTANCE OF 166.01 FEET;
16. SOUTH 68°44'13" WEST, A DISTANCE OF 104.57 FEET;
17. SOUTH 34°32'15" EAST, A DISTANCE OF 252.50 FEET;
18. SOUTH 00°00'00" EAST, A DISTANCE OF 84.23 FEET;
19. SOUTH 38°13'50" WEST, A DISTANCE OF 97.60 FEET;
20. SOUTH 61°02'08" EAST, A DISTANCE OF 96.44 FEET;
21. SOUTH 46°04'50" EAST, A DISTANCE OF 124.78 FEET;
22. SOUTH 62°56'25" EAST, A DISTANCE OF 71.96 FEET TO THE WEST RIGHT-OF-WAY LINE OF THE GREAT WESTERN RAILROAD AS EXCEPTED IN BOOK 221 AT PAGE 72 IN SAID RECORDS;

THENCE ALONG SAID WEST RIGHT-OF-WAY LINE, SOUTH 36°08'54" WEST, A DISTANCE OF 101.74 FEET TO THE SOUTH LINE OF THE SOUTHWEST QUARTER OF SAID SECTION 9;

THENCE ALONG SAID SOUTH LINE, NORTH 89°11'03" WEST, A DISTANCE OF 1014.97 FEET TO THE WEST LINE OF SAID SOUTHWEST QUARTER;

THENCE ALONG THE WEST LINE OF SAID SOUTHWEST QUARTER, NORTH 00°52'28" WEST, A DISTANCE OF 2613.54 FEET TO THE POINT OF BEGINNING.

LEGAL DESCRIPTION PREPARED BY:

SHAUN D. LEE, PLS 38158
FOR AND ON BEHALF OF:
AZTEC CONSULTANTS INC.

Said described parcel of land contains 2,699,261 square feet, or 61.966 acres, more or less (±).

shown on the attached map as embraced within the heavy exterior lines thereon, has (have) subdivided the same into Lots, Blocks, and Outlots, as shown on the attached map; and does (do) hereby set aside said portion or tract of land and designate the same JOHNSTOWN FARM FILING NO. 2, and does (do) dedicate to the public, the streets and all easements over and across said lots at locations shown on said map; and does (do) further certify that the width of said streets, dimensions of the lots and blocks (or building envelopes) and the names and numbers thereof are correctly designated upon said map.

Owner: Post Modern Development, LLC

By: _____
JD Padilla

STATE OF COLORADO)
) ss
COUNTY OF WELD)

The foregoing instrument was acknowledged before me this ____ day of _____, 2022 by JD Padilla as _____ of Post Modern Development, LLC.

WITNESS my Hand and Official Seal.

Notary Public

My commission expires: _____.

TOWN COUNCIL:

This Plat, to be know as JOHNSTOWN FARM FILING NO. 2, is approved and accepted by the Town of Johnstown, by Resolution Number _____.

Passed and adopted on Final Reading at a regular meeting of the Town Council of the Town of Johnstown, Colorado held on the _____ day of _____, 2022.

By: _____ ATTEST: _____
Gary Lebsack, Mayor Hannah Hill, Town Clerk

SURVEYOR NOTES:

1. The lineal unit of measurement for this survey is U. S. Survey Feet.
2. The Basis of Bearings is the West quarter-section line, bearing South 88°59'45" East (an assumed bearing), and monumented as shown on drawing.
3. For all information regarding easements, right-of-way or title of record, Northern Engineering relied upon Order No. ABD25177100, dated 10/20/2020, prepared by Land Title Guarantee Company.
4. Northern Engineering or the Professional Land Surveyor listed hereon, does not have the expertise to address mineral rights, and recommends the owner retain an expert to address these matters. Northern Engineering or the Professional Land Surveyor listed heron assumes no responsibility for the mineral rights upon the subject property.
5. A copy of the title commitment and the documents contained therein were provided to the owner, client and those entities listed under the surveyor's certification for their use and review.
6. For easements created by separate document and shown hereon refer to record document for specific terms.
7. A prescriptive 60-foot right of way Weld County road 46 1/2 was shown on the subdivision plat of Johnstown Farms Filing No. 3, recorded at reception no. 4568150 with Weld County Clerk and Recorder. Said plat also shows the 60-foot right of way as being attributed to Book 86 Page 283 of the Weld County records. However, the document at Book 86 Page 283 only calls for 60-foot rights of way on section lines, while Weld County road 46 1/2 is along a quarter section line. This survey does not address whether there was a prescriptive 60-foot right of way prior to the platting of Johnstown Farms Filing No. 3.
8. Not all documents listed in title commitment are plottable or definable. Those easements that are definable by their descriptions are shown hereon. Owner, Client and others should refer to the title commitment and those documents listed therein for a true understanding of all rights of way, easements, encumbrances, interests and title of record concerning the subject property.
9. The word "certify" or "certification" as shown and used hereon is an expression of professional opinion regarding the facts of the survey, and does not constitute a warranty or guaranty, expressed or implied. DORA Bylaws and Rules (4 CCR 730-1).
10. Easements and other record documents shown or noted hereon were examined as to location and purpose and were not examined as to restrictions, exclusions, conditions, obligations, terms, or as to the right to grant the same.
11. Adjacent property owner information per the Weld County Property Portal
12. The Professional opinion of the Surveyor is not a determination of law, nor a matter of fact.
13. This bearing appears to have a scrivener's error and should instead read South 30° 51' 09" East, per the plat of Johnstown Farms Filing No. 3 recorded at Reception No. 4568150 by Shaun D. Lee, PLS 38158 for and on behalf of Aztec Consultants Inc., being the same PLS that created this legal description. This survey reflects the aforementioned bearing of South 30° 51' 09" East.
14. A current title commitment was not provided to the surveyor. The surveyor has used the above listed title commitment as the best available evidence to determine rights and encumbrances that may or may not impact the subject property. The surveyor is not responsible for those rights or encumbrances of record or existing not listed in said title commitments. This survey is subject to all easements, rights-of-way, and encumbrances as recorded or existing.
15. A current title commitment will be provided to the surveyor prior to final submittal. This note will be removed prior to finalizing survey.
16. Said described property is located within an area having a Zone Designation AE by the Federal Emergency Management Agency (FEMA), on Flood Insurance Rate Map No. 08069C1410G, Panel 1410, with a date of identification of January 15, 2021, for Community No. 080250, in Town of Johnstown, County of Larimer, State of Colorado, which is the current Flood Insurance Rate Map for the community in which said premises is situated.
17. It is unlawful under Colorado State Statute to knowingly disturb, deface, remove, or destroy a land survey monument.
18. This survey is a draft. Monuments have not been set. Monuments will be set or upgraded prior to finalizing survey. *THIS NOTE WILL BE REMOVED PRIOR TO FINALIZING THE SURVEY*

PLAT NOTES AS REQUESTED BY THE TOWN OF JOHNSTOWN:

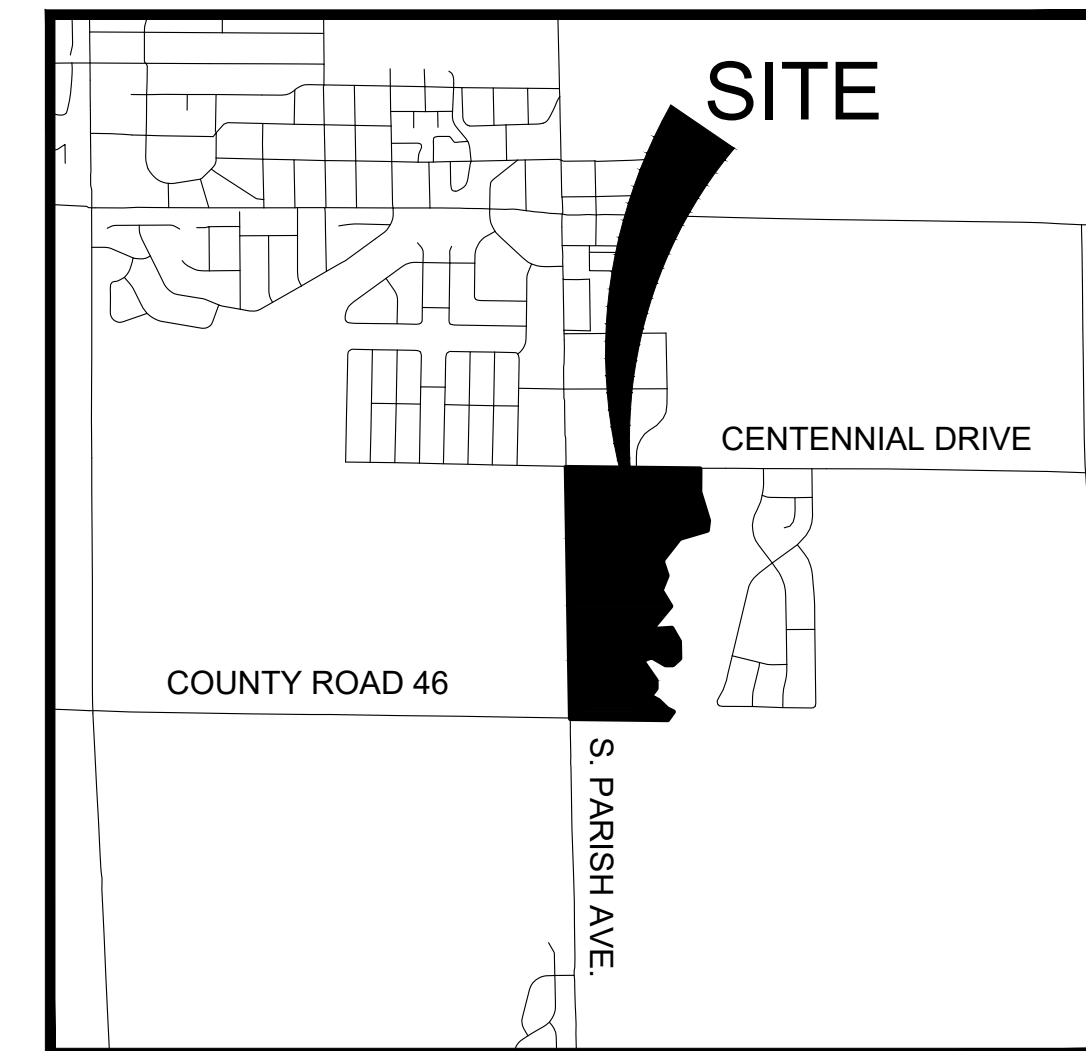
Notes as requested by the Town of Johnstown and listed hereon are being required as a condition of approval by the Town of Johnstown. The notes, as listed hereon, were provided to Northern Engineering by the Town of Johnstown.

- No construction or building may occur on-site until all Final Development Plans, Engineering Plans and Reports, Development Agreement, and the Water/Sewer Service Agreement have received Town approval and construction acceptance, as appropriate.

SURVEYOR'S STATEMENT

I, Robert C. Tessely, a Colorado Registered Professional Land Surveyor do hereby state that this Subdivision Plat was prepared from an actual survey under my personal supervision, that the monumentation as indicated hereon were found or set as shown, and that the foregoing plat is an accurate representation thereof, all this to the best of my knowledge, information and belief.

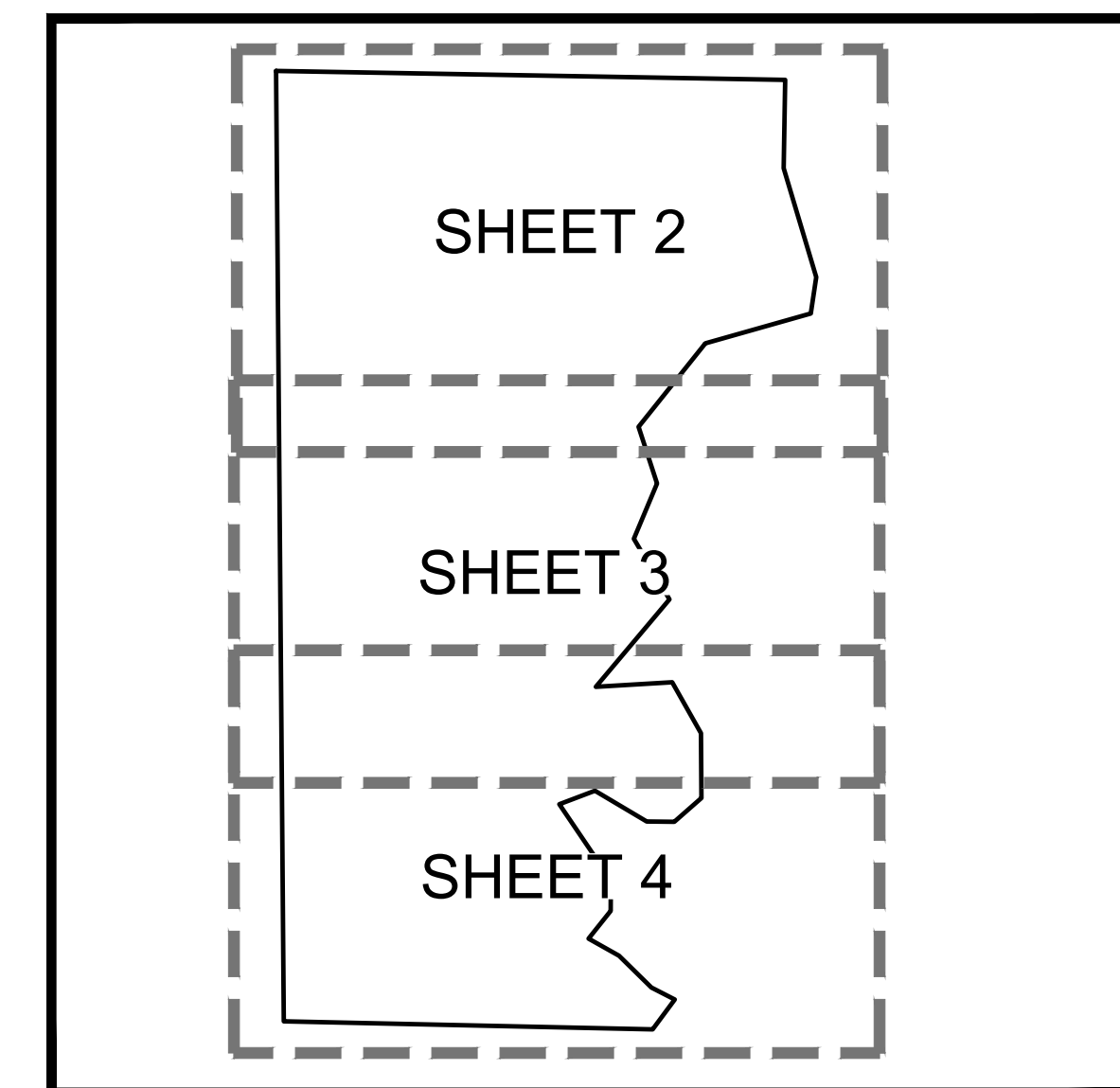
For and on Behalf of Northern Engineering
Robert C. Tessely
Colorado Registered Professional Land Surveyor No. 38470



VICINITY MAP
1" = 2000'

OWNER/DEVELOPER/APPLICANT
POST MODERN DEVELOPMENT, LLC
a Colorado limited liability company
144 N. Mason Street #4
Fort Collins, CO 80524

SURVEYOR
Northern Engineering Services, Inc.
Robert C. Tessely, PLS
301 North Howes Street, Suite 100
Fort Collins, Colorado 80521
(970) 221-4158



SHEET INDEX
1" = 500'

NOTICE:
According to Colorado law, you must commence any legal action based upon any defect in this survey within three years after you discover such defect. In no event may any action based upon any defect in this survey be commenced more than ten years after the date of the certificate shown hereon.

SECTION: 9
TOWNSHIP: 4N
RANGE: 67W of the 6th P.M.

NORTHERN ENGINEERING
SURVEY | MUNICIPAL | LAND DEVELOPMENT
NORTHERNENGINEERING.COM
970.221.4158
FORT COLLINS | GREELEY

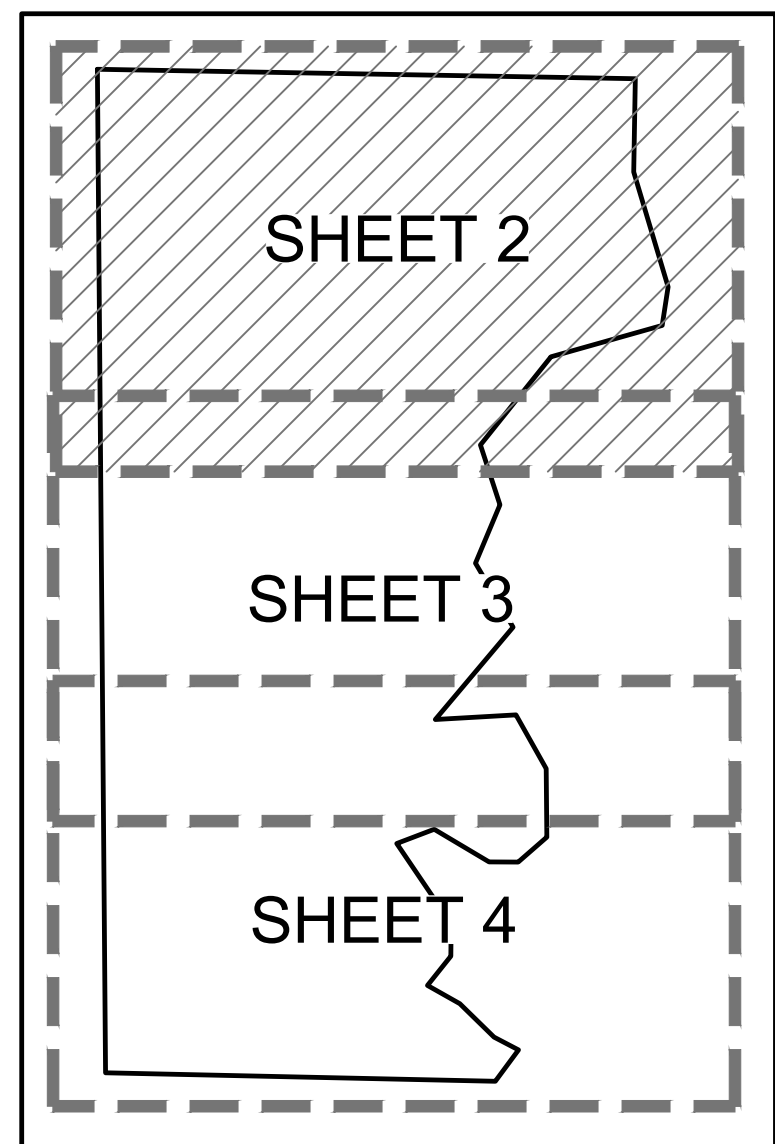
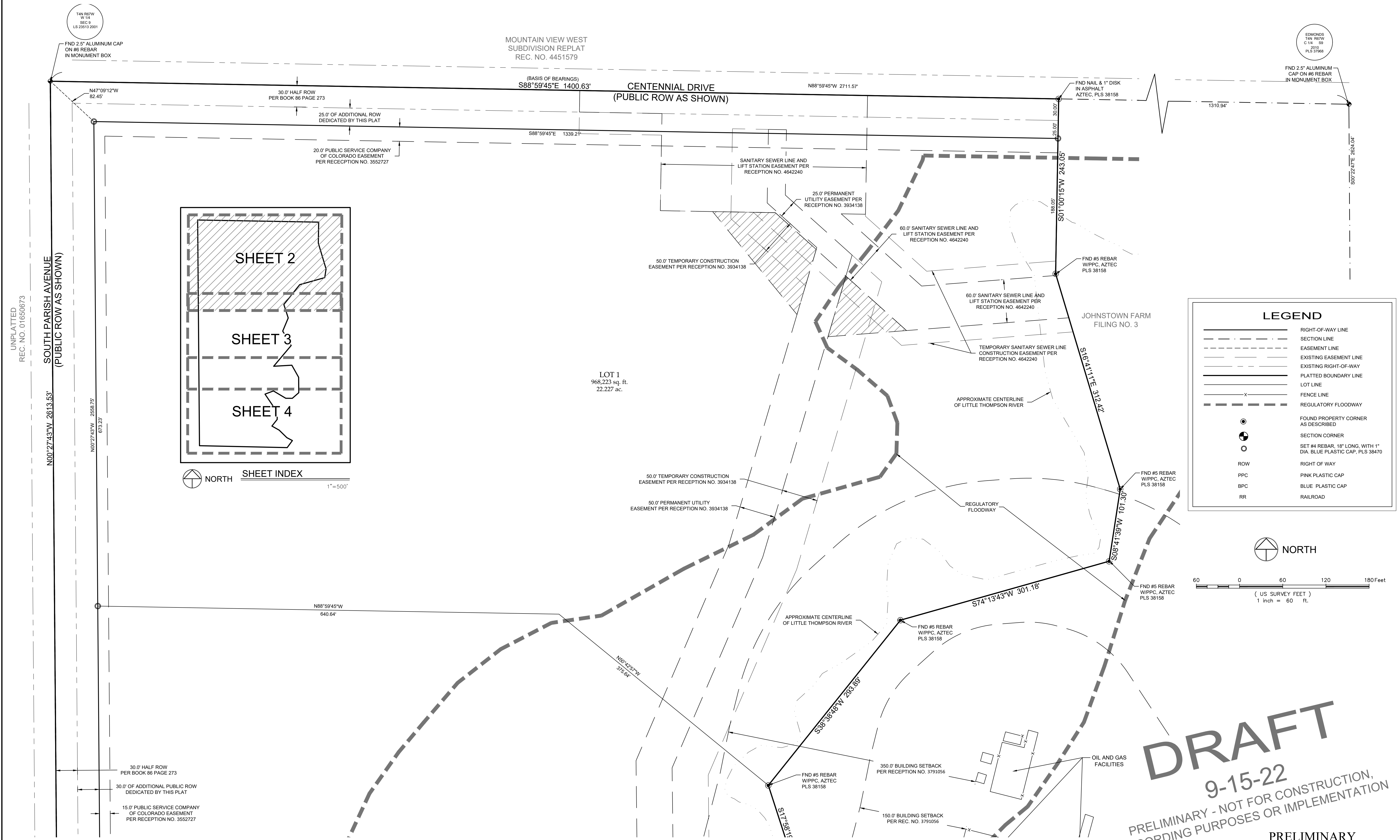
DATE: 9/15/22
SCALE: As shown
REVIEWED BY: R. Tessely
PROJECT: 1204-008
CLIENT: POST MODERN DEVELOPMENT
DRAWN BY: L. Smith

JOHNSTOWN FARMS FILING NO. 2
TOWN OF JOHNSTOWN
STATE OF COLORADO

Sheet
1
Of 4 Sheets

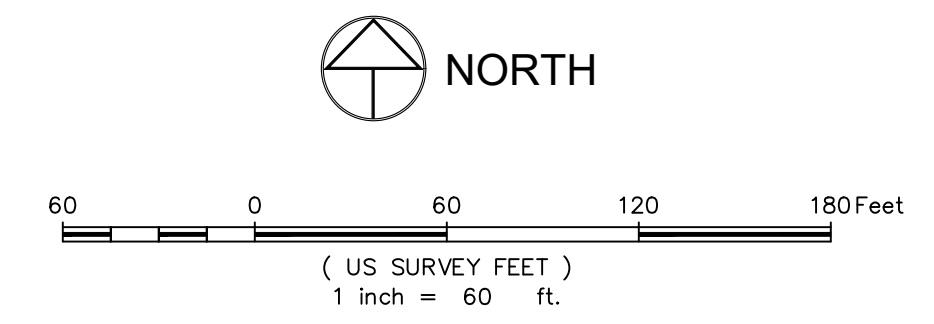
JOHNSTOWN FARMS FILING NO. 2

A PARCEL OF LAND LOCATED IN THE SOUTHWEST QUARTER OF SECTION 9, TOWNSHIP 4 NORTH,
RANGE 67 WEST OF THE 6TH PRINCIPAL MERIDIAN, TOWN OF JOHNSTOWN, COUNTY OF WELD, STATE OF COLORADO



NORTH
 1" = 500'

LEGEND	
	RIGHT-OF-WAY LINE
	SECTION LINE
	EASEMENT LINE
	EXISTING EASEMENT LINE
	EXISTING RIGHT-OF-WAY
	PLATTED BOUNDARY LINE
	LOT LINE
	FENCE LINE
	REGULATORY FLOODWAY
	FOUND PROPERTY CORNER AS DESCRIBED
	SECTION CORNER
	SET #4 REBAR, 18" LONG, WITH 1" DIA. BLUE PLASTIC CAP, PLS 38470
	RIGHT OF WAY
	PPC PINK PLASTIC CAP
	BPC BLUE PLASTIC CAP
	RR RAILROAD



DRAFT
 9-15-22
 PRELIMINARY - NOT FOR CONSTRUCTION,
 RECORDING PURPOSES OR IMPLEMENTATION

SEE SHEET 3

PRELIMINARY
 For and on behalf of Northern Engineering Services, Inc.
 Robert C. Tesley
 Colorado Registered Professional Land Surveyor No. 38470

UNPLATTED
 REC. NO. 01650673

SOUTH PARISH AVENUE
 (PUBLIC ROW AS SHOWN)

MOUNTAIN VIEW WEST
 SUBDIVISION REPLAT
 REC. NO. 4451579

T4N 487W
 W 1/4
 SEC 9
 LS 23513 2001

EDMONDS
 T4N 487W
 C 1/4 S9
 2010
 PLS 37668

NOTICE:
 According to Colorado law, you must commence any legal action based upon any defect in this survey within three years after you discover such defect. In no event may any action based upon any defect in this survey be commenced more than ten years after the date of the certificate shown hereon.

SECTION:
 9
 TOWNSHIP:
 4N
 RANGE:
 67W of the 6th P.M.

NORTHERN ENGINEERING
 SURVEY | MUNICIPAL | LAND DEVELOPMENT
 FORT COLLINS | GREELEY 970.221.4188
 NORTHERNENGINEERING.COM

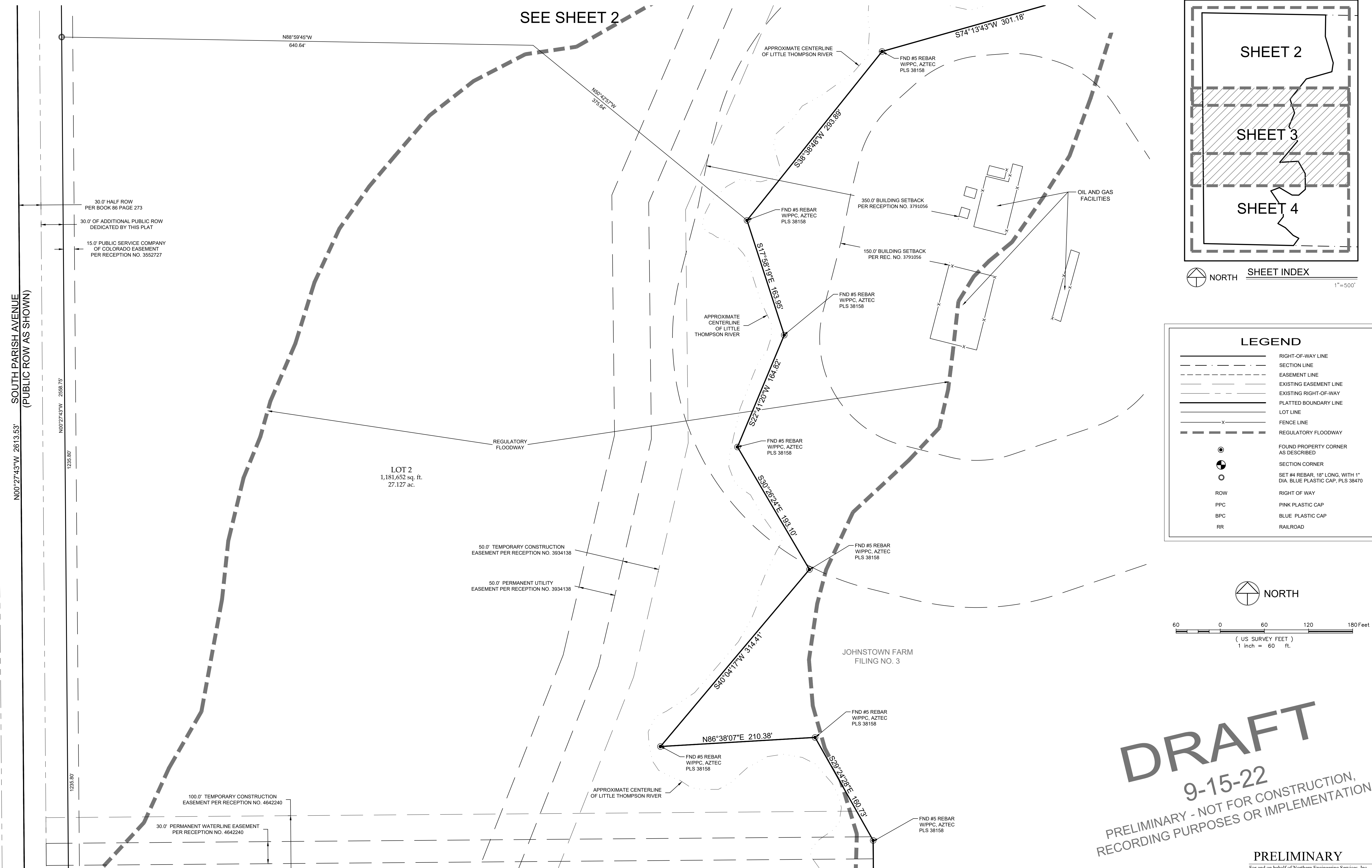
DATE: 9/15/22
 SCALE: 1" = 60'
 PROJECT: 1204-008
 CLIENT: MODERN DEVELOPMENT
 DRAWN BY: L. Smith
 REVIEWED BY: R. Tesley

JOHNSTOWN FARMS FILING NO. 2
 TOWN OF JOHNSTOWN
 STATE OF COLORADO

Sheet
2
 Of 4 Sheets

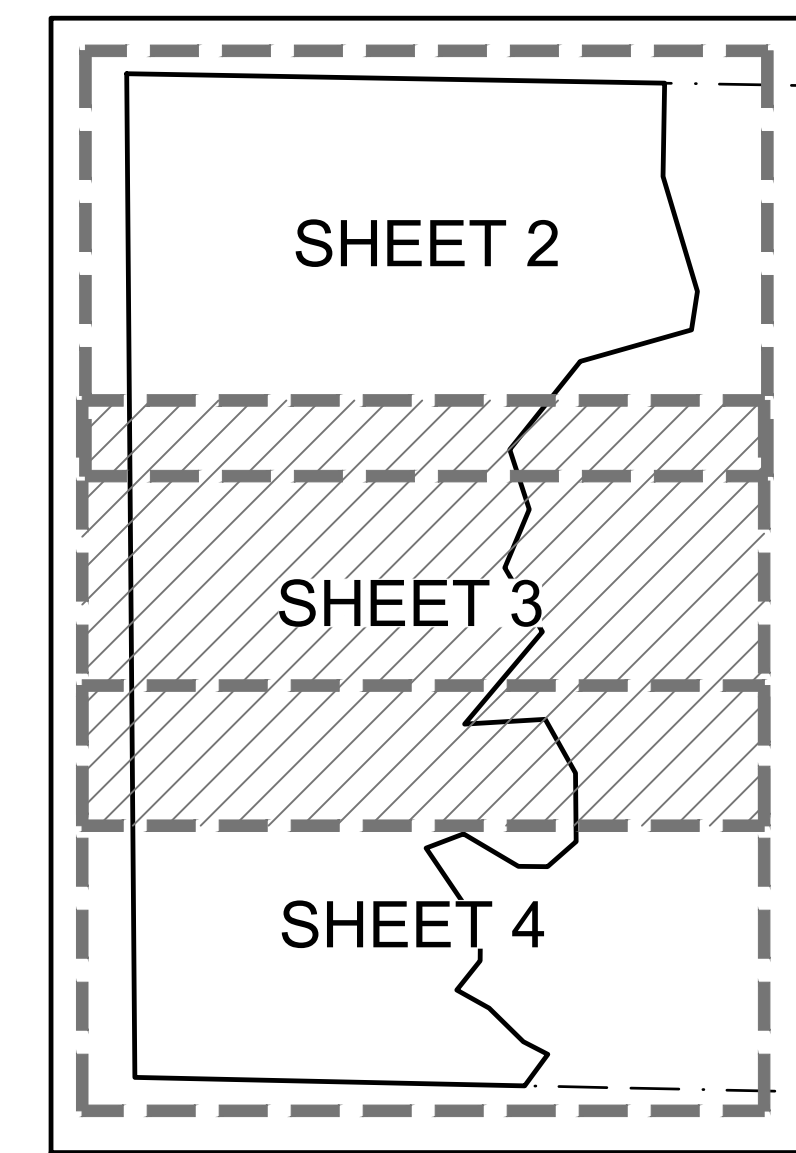
JOHNSTOWN FARMS FILING NO. 2

A PARCEL OF LAND LOCATED IN THE SOUTHWEST QUARTER OF SECTION 9, TOWNSHIP 4 NORTH,
RANGE 67 WEST OF THE 6TH PRINCIPAL MERIDIAN, TOWN OF JOHNSTOWN, COUNTY OF WELD, STATE OF COLORADO



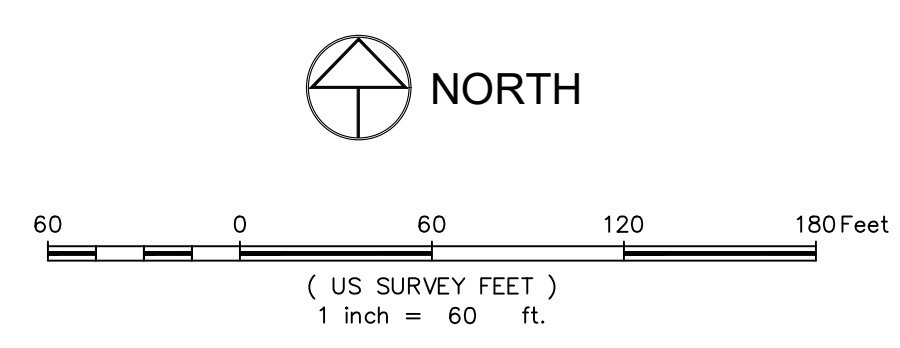
SEE SHEET 2

SEE SHEET 4



NORTH SHEET INDEX 1"=50'

LEGEND	
	RIGHT-OF-WAY LINE
	SECTION LINE
	EASEMENT LINE
	EXISTING EASEMENT LINE
	EXISTING RIGHT-OF-WAY
	PLATTED BOUNDARY LINE
	LOT LINE
	FENCE LINE
	REGULATORY FLOODWAY
	FOUND PROPERTY CORNER AS DESCRIBED
	SECTION CORNER
	SET #4 REBAR, 18" LONG, WITH 1" DIA. BLUE PLASTIC CAP, PLS 38470
	RIGHT OF WAY
	PINK PLASTIC CAP
	BLUE PLASTIC CAP
	RAILROAD



DRAFT
9-15-22
PRELIMINARY - NOT FOR CONSTRUCTION,
RECORDING PURPOSES OR IMPLEMENTATION

PRELIMINARY
For and on behalf of Northern Engineering Services, Inc.
Robert C. Tessey
Colorado Registered Professional Land Surveyor No. 38470

NOTICE:
According to Colorado law, you must commence any legal action based upon any defect in this survey within three years after you discover such defect. In no event may any action based upon any defect in this survey be commenced more than ten years after the date of the certificate shown herein.

SECTION: 9
TOWNSHIP: 4N
RANGE: 67W of the 6th P.M.

NORTHERN ENGINEERING
SURVEY | MUNICIPAL | LAND DEVELOPMENT
FORT COLLINS | GREELEY 970.221.4188
NORTHERNENGINEERING.COM

DATE: 9/15/22
SCALE: 1" = 60'
REVIEWED BY: R. Tessey
PROJECT: 1204-008
CLIENT: MODERN DEVELOPMENT
DRAWN BY: L. Smith

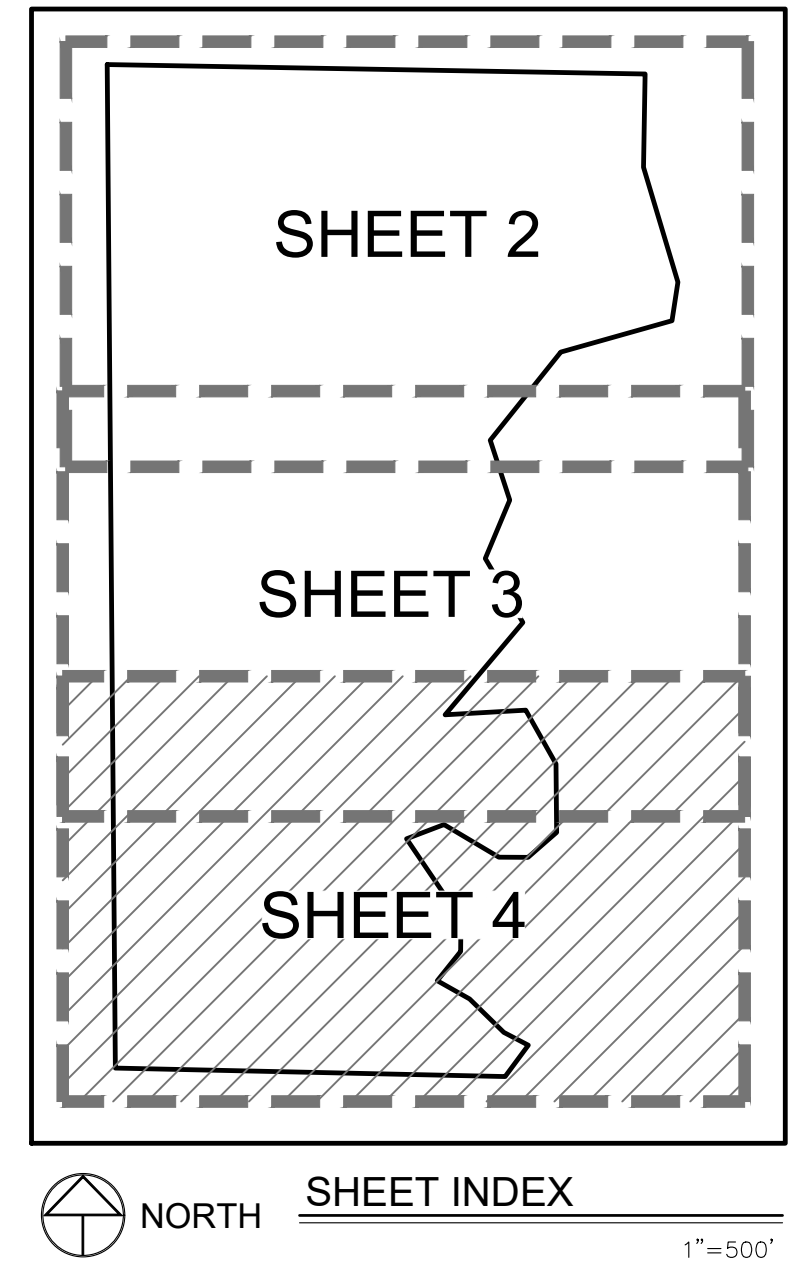
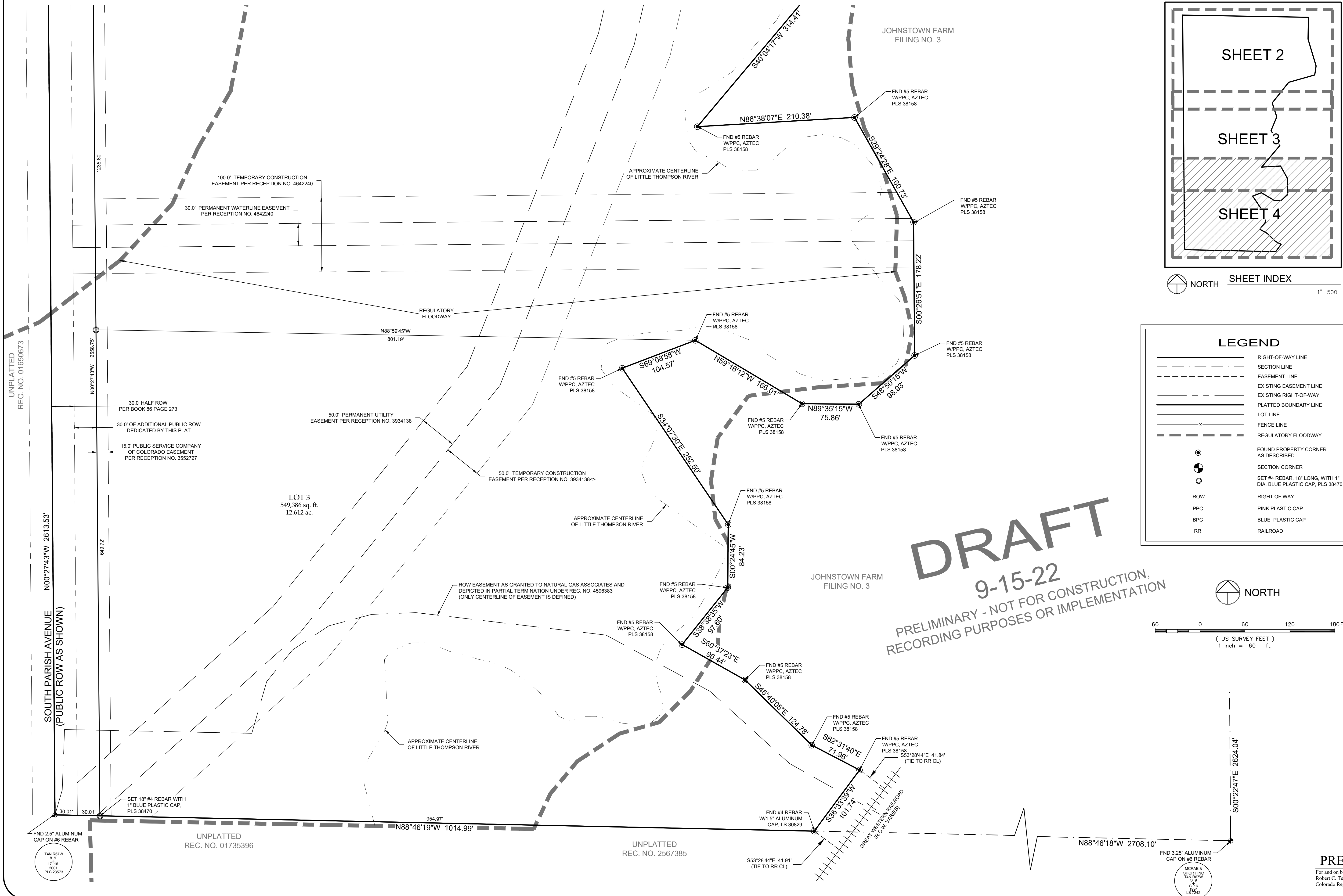
JOHNSTOWN FARMS FILING NO. 2
TOWN OF JOHNSTOWN
STATE OF COLORADO

Sheet
3
Of 4 Sheets

JOHNSTOWN FARMS FILING NO. 2

A PARCEL OF LAND LOCATED IN THE SOUTHWEST QUARTER OF SECTION 9, TOWNSHIP 4 NORTH, RANGE 67 WEST OF THE 6TH PRINCIPAL MERIDIAN, TOWN OF JOHNSTOWN, COUNTY OF WELD, STATE OF COLORADO

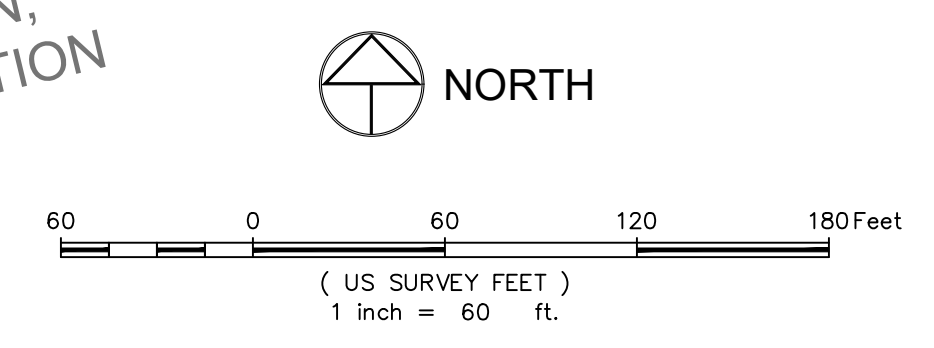
SEE SHEET 3



LEGEND

—	RIGHT-OF-WAY LINE
- - -	SECTION LINE
- · - ·	EASEMENT LINE
- · - · - ·	EXISTING EASEMENT LINE
- · - · - · - ·	EXISTING RIGHT-OF-WAY
- · - · - · - · - ·	PLATTED BOUNDARY LINE
—	LOT LINE
- x -	FENCE LINE
- · - · - · - · - ·	REGULATORY FLOODWAY
●	FOUND PROPERTY CORNER AS DESCRIBED
⊙	SECTION CORNER
⊙	SET #4 REBAR, 18\"
○	RIGHT OF WAY
○	PINK PLASTIC CAP
○	BLUE PLASTIC CAP
— x —	RAILROAD

DRAFT
9-15-22
PRELIMINARY - NOT FOR CONSTRUCTION,
RECORDING PURPOSES OR IMPLEMENTATION



NOTICE:
According to Colorado law, you must commence any legal action based upon any defect in this survey within three years after you discover such defect. In no event may any action based upon any defect in this survey be commenced more than ten years after the date of the certificate shown hereon.

SECTION: 9
TOWNSHIP: 4N
RANGE: 67W of the 6th P.M.

NORTHERN ENGINEERING
SURVEY | MUNICIPAL | LAND DEVELOPMENT
FORT COLLINS | GREELEY 970.221.4188
NORTHERNENGINEERING.COM

DATE: 9/15/22
SCALE: 1" = 60'
REVIEWED BY: R. Teseley
PROJECT: 1204-008
CLIENT: MODERN DEVELOPMENT
DRAWN BY: T. High

JOHNSTOWN FARMS FILING NO. 2
TOWN OF JOHNSTOWN
STATE OF COLORADO

Sheet
4
Of 4 Sheets

PRELIMINARY
For and on behalf of Northern Engineering Services, Inc.
Robert C. Teseley
Colorado Registered Professional Land Surveyor No. 38470