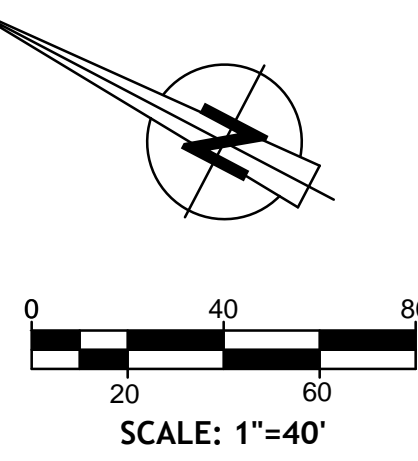
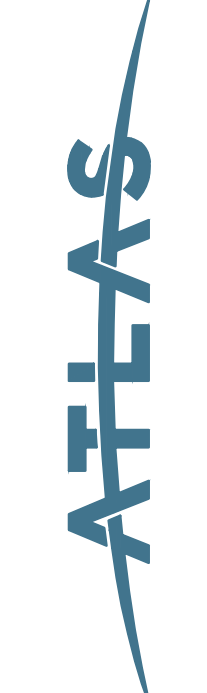




MATCHLINE - SEE SHEET CG102



REVISIONS			
REV #	DATE	DESCRIPTION	REQUESTED BY



 2550 HERITAGE COURT, STE 250
 ATLANTA, GA 30339
 TEL 770.951.2495, FAX 770.951.2496
 www.oneatlas.com

ESTORIA MULTIFAMILY
 294 S MAIN ST
 JONESBORO, GA 30236
GEORGIA
GRADING PLAN
 DISTRICTS 5, 6

SOURCE: LEVEL 6 CERT. #P4881, EXP. 08/11/2026
 DATE: 04/03/2026
 DESIGN QC: DW
 CAD QC: ADP
 DESIGNED BY: DNE
 DRAWN BY: ZP
SHEET CG101
 NOT ISSUED FOR CONSTRUCTION