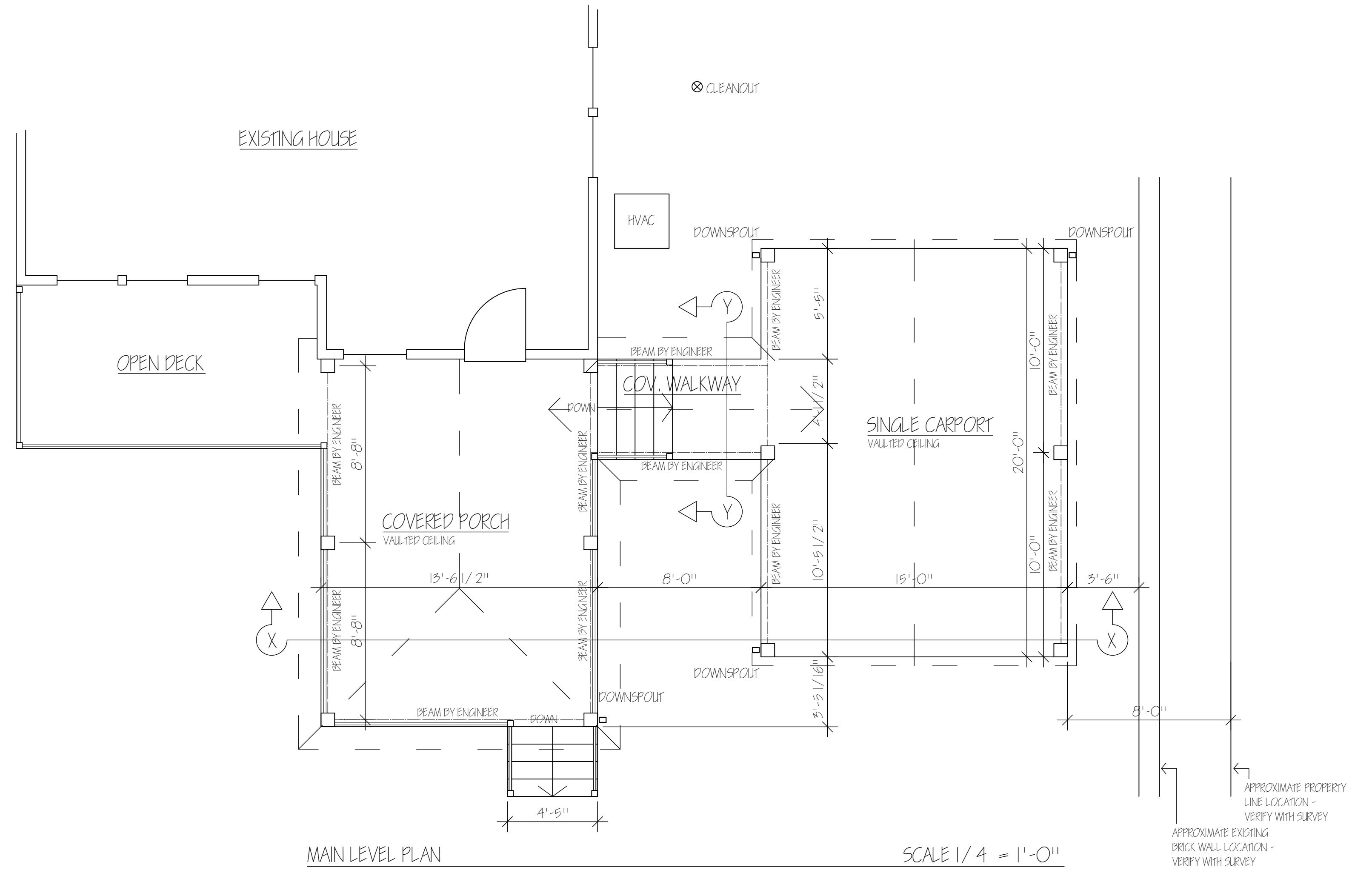


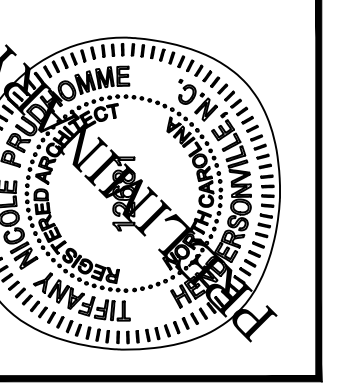
SIDE ELEVATION

SCALE 1/4 = 1'-0"



MAIN LEVEL PLAN

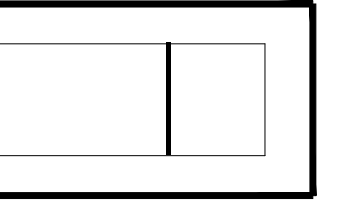
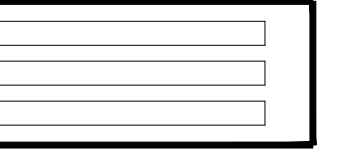
SCALE 1/4 = 1'-0"



PRUDHOMME DESIGN & INTERIORS
 AIA - 521 WETMUR STREET - HENDERSONVILLE, NORTH CAROLINA 28739
 828.674.0273 - TIFPANN@PRUDHOMMEDSIGN.COM

thompson residence
 ADDITION AND RENOVATIONS FOR CHRISTY THOMPSON
 1401 Highland Avenue - Hendersonville - North Carolina

10/5 SEPTEMBER 2025



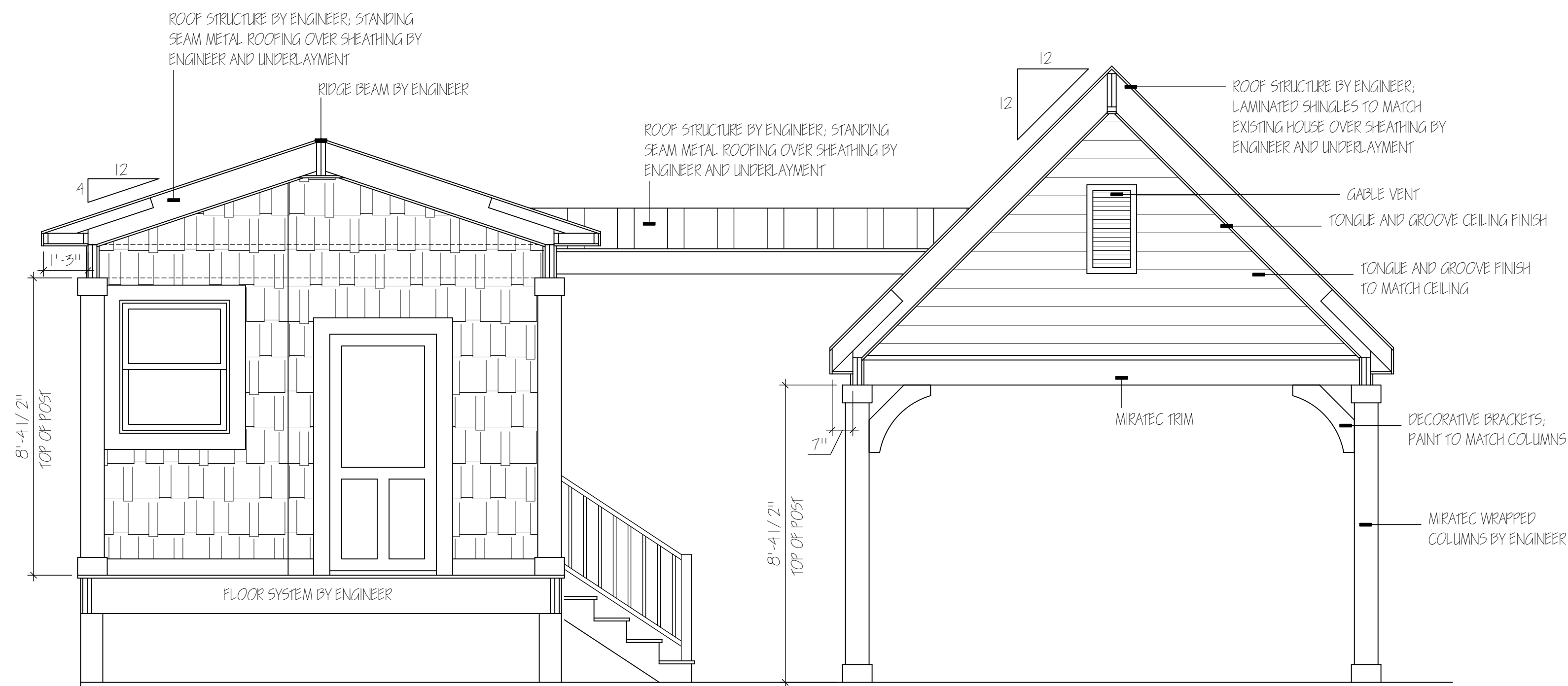
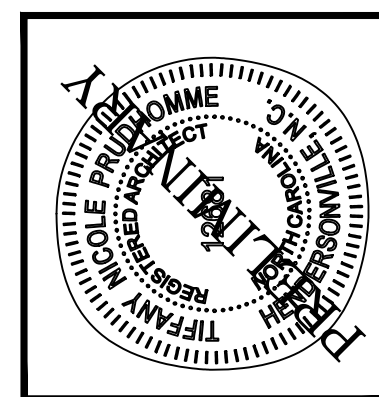
SIDE ELEVATION

SCALE 1/4 = 1'-0"



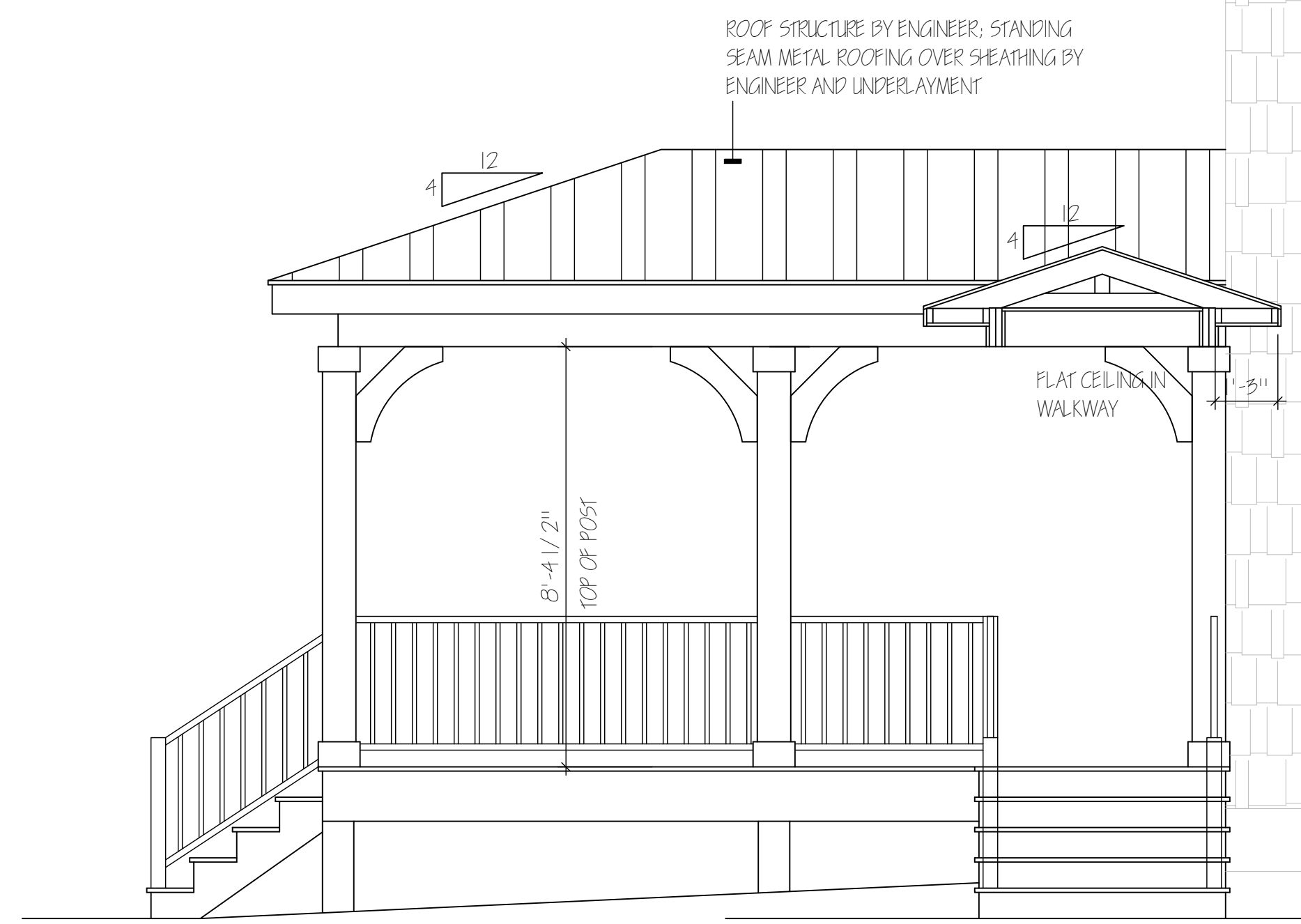
REAR ELEVATION

SCALE 1/4 = 1'-0"



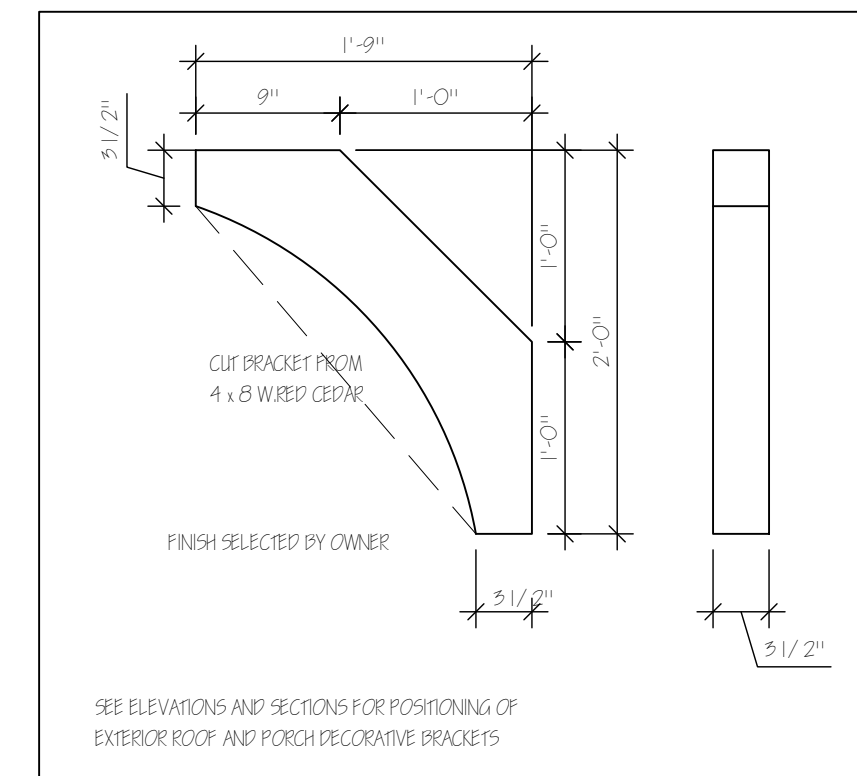
SECTION X-X
FIELD VERIFY ALL MEASUREMENTS

SCALE 3/8" = 1'-0"

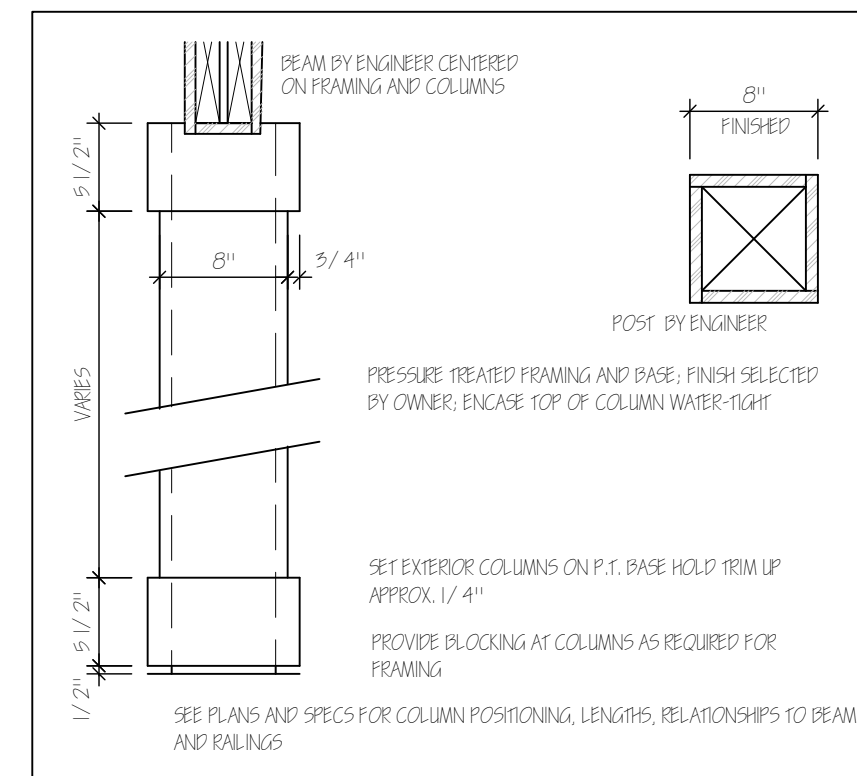


SECTION Y-Y
FIELD VERIFY ALL MEASUREMENTS

SCALE 3/8" = 1'-0"



1-1/2" = 1'-0"
PORCH BRACKET



1-1/2" = 1'-0"
EXTERIOR / INTERIOR BOX COLUMN
10" x 50" BOX COLUMN - LIVING ROOM AND REAR COVERED PORCH

