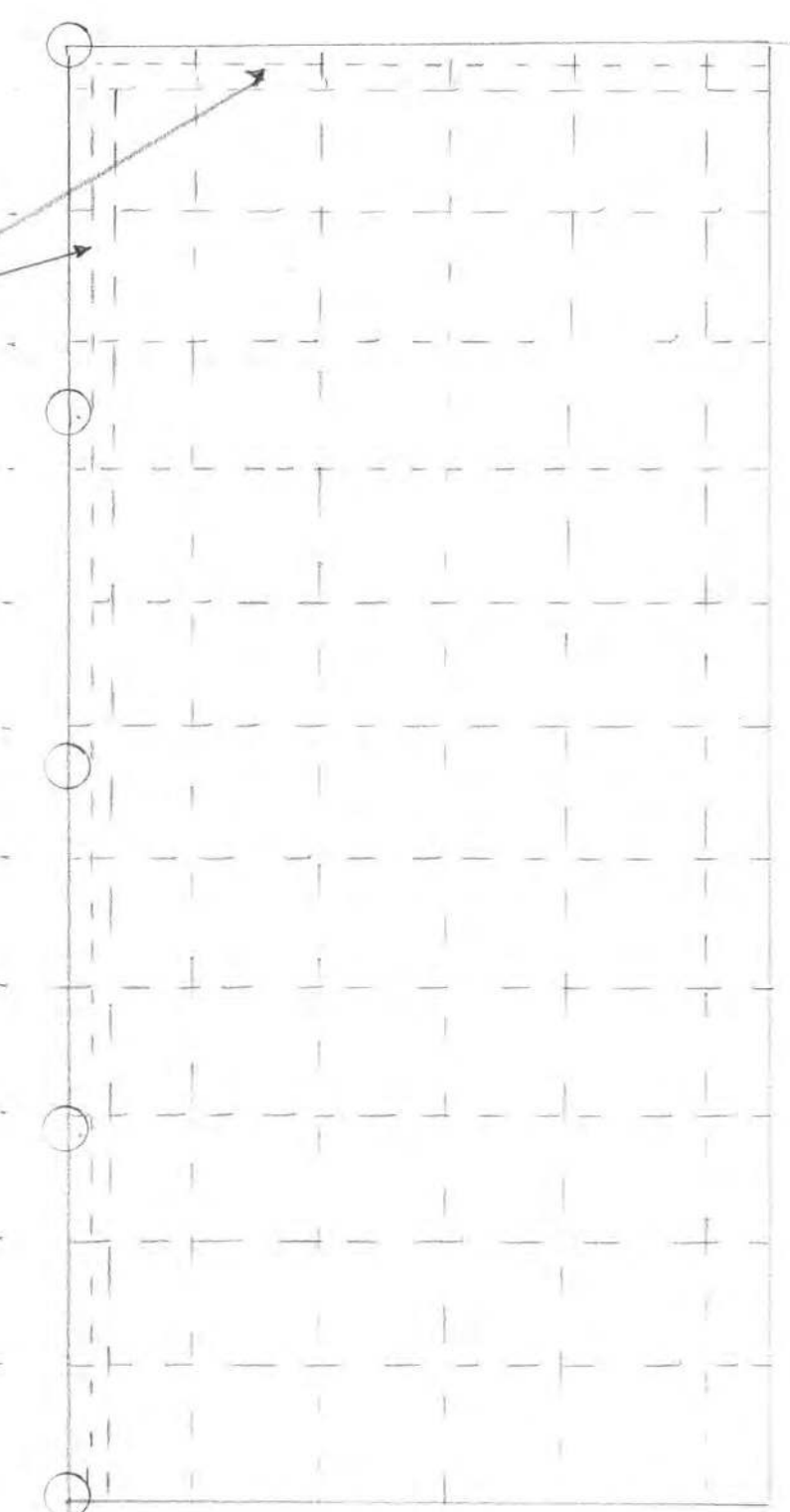
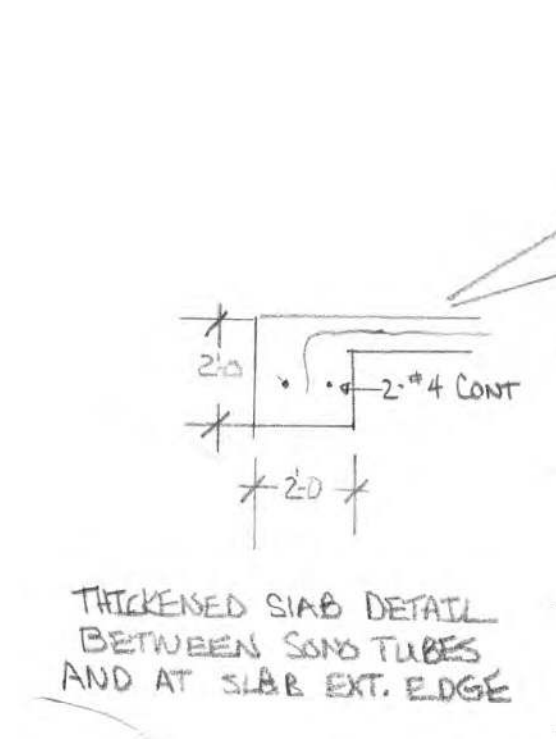
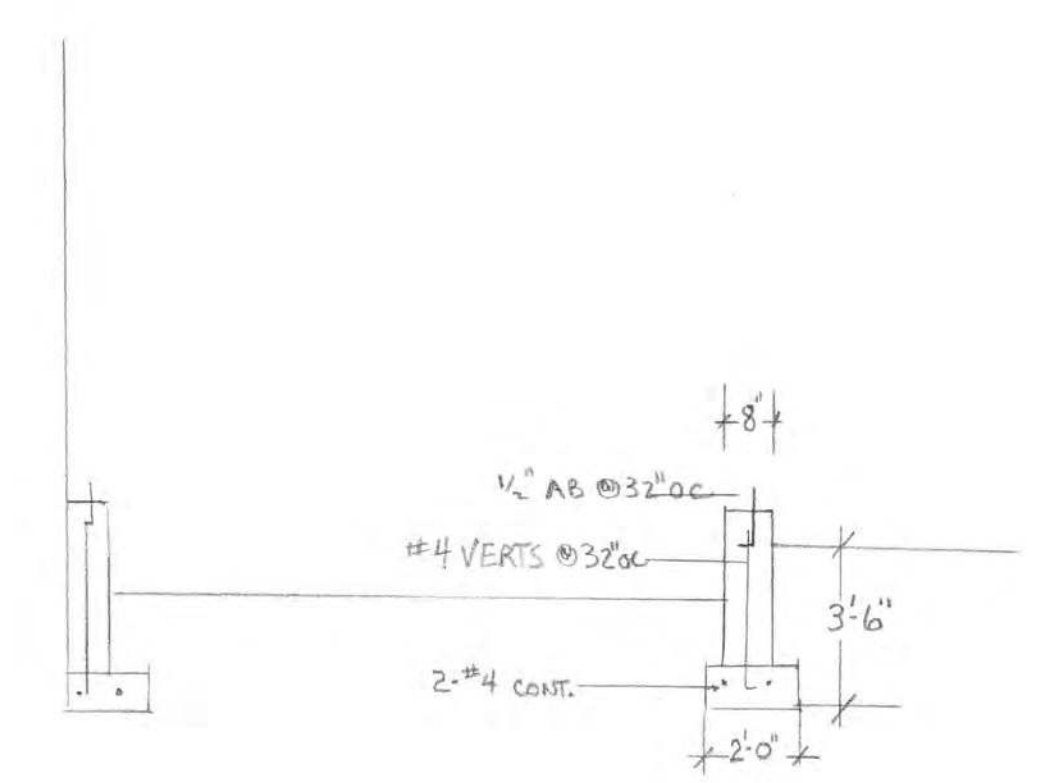
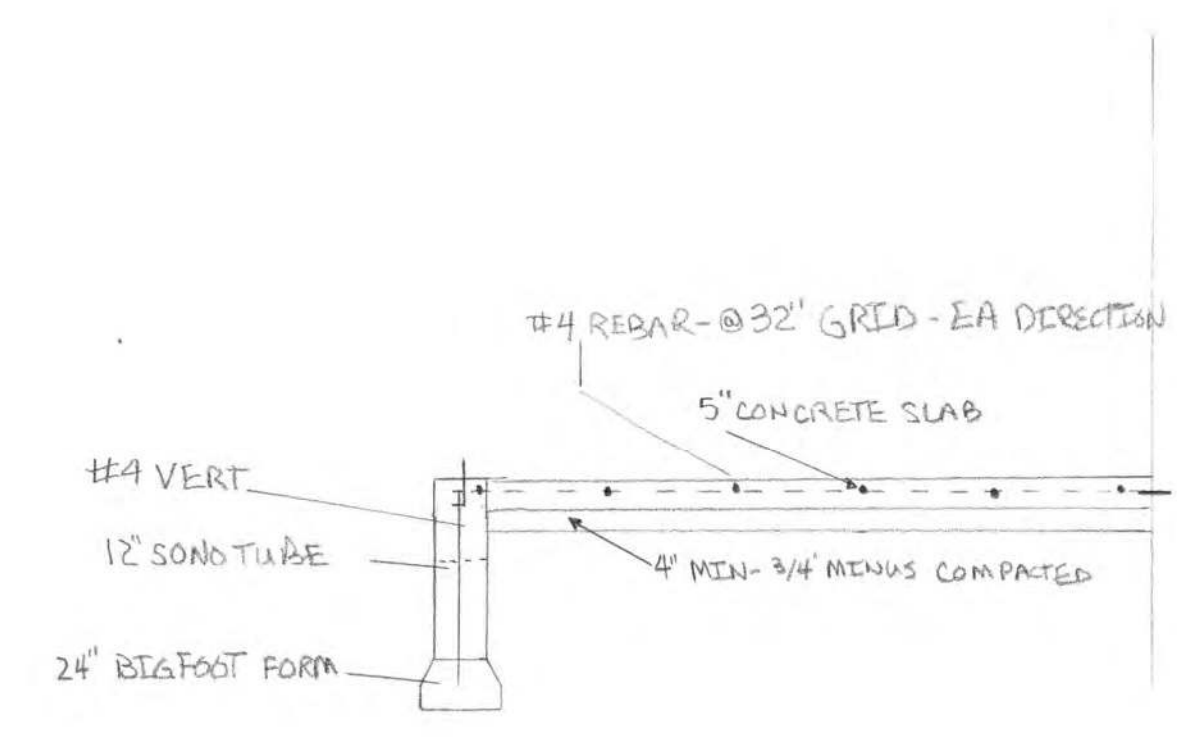
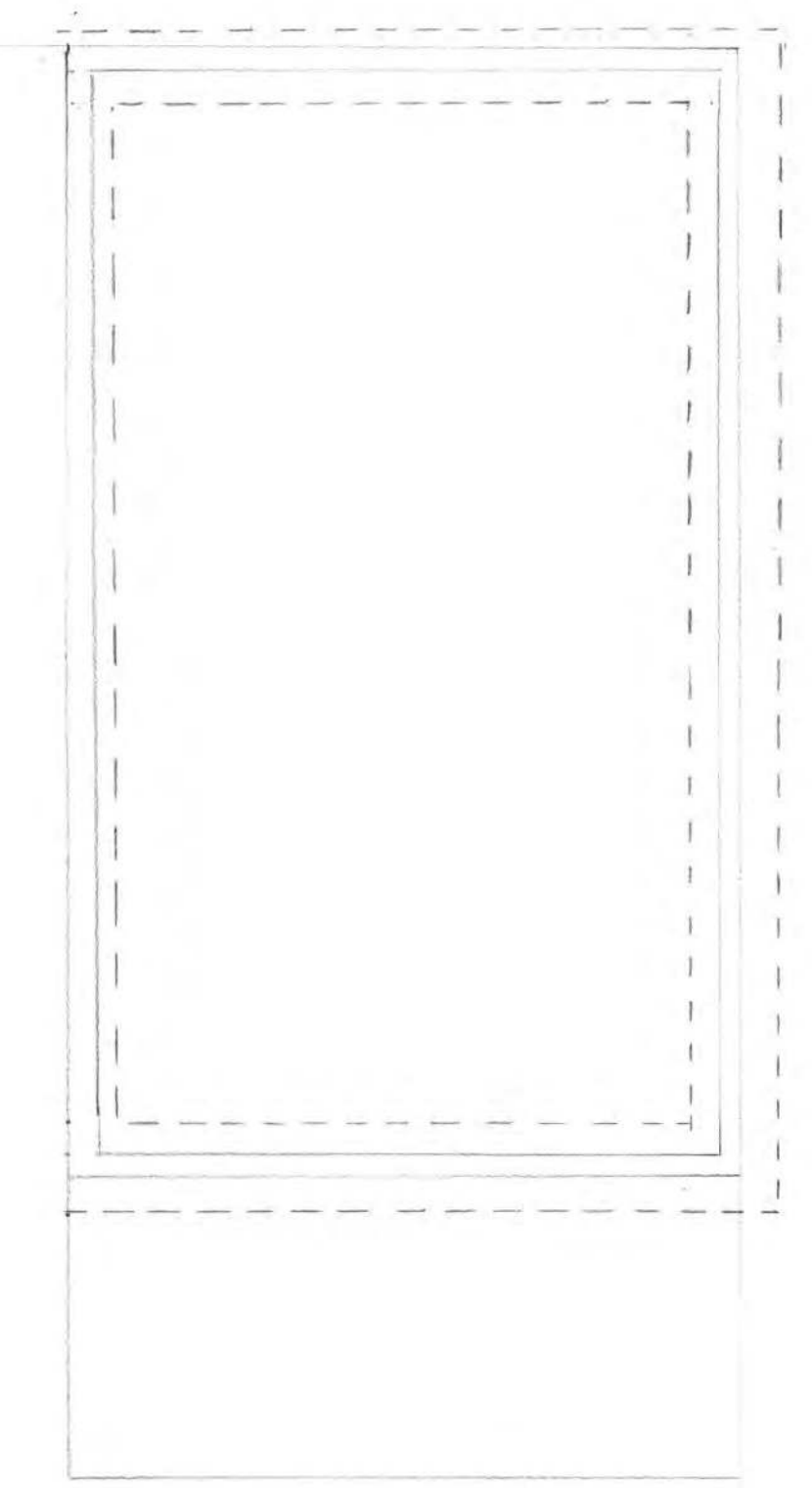


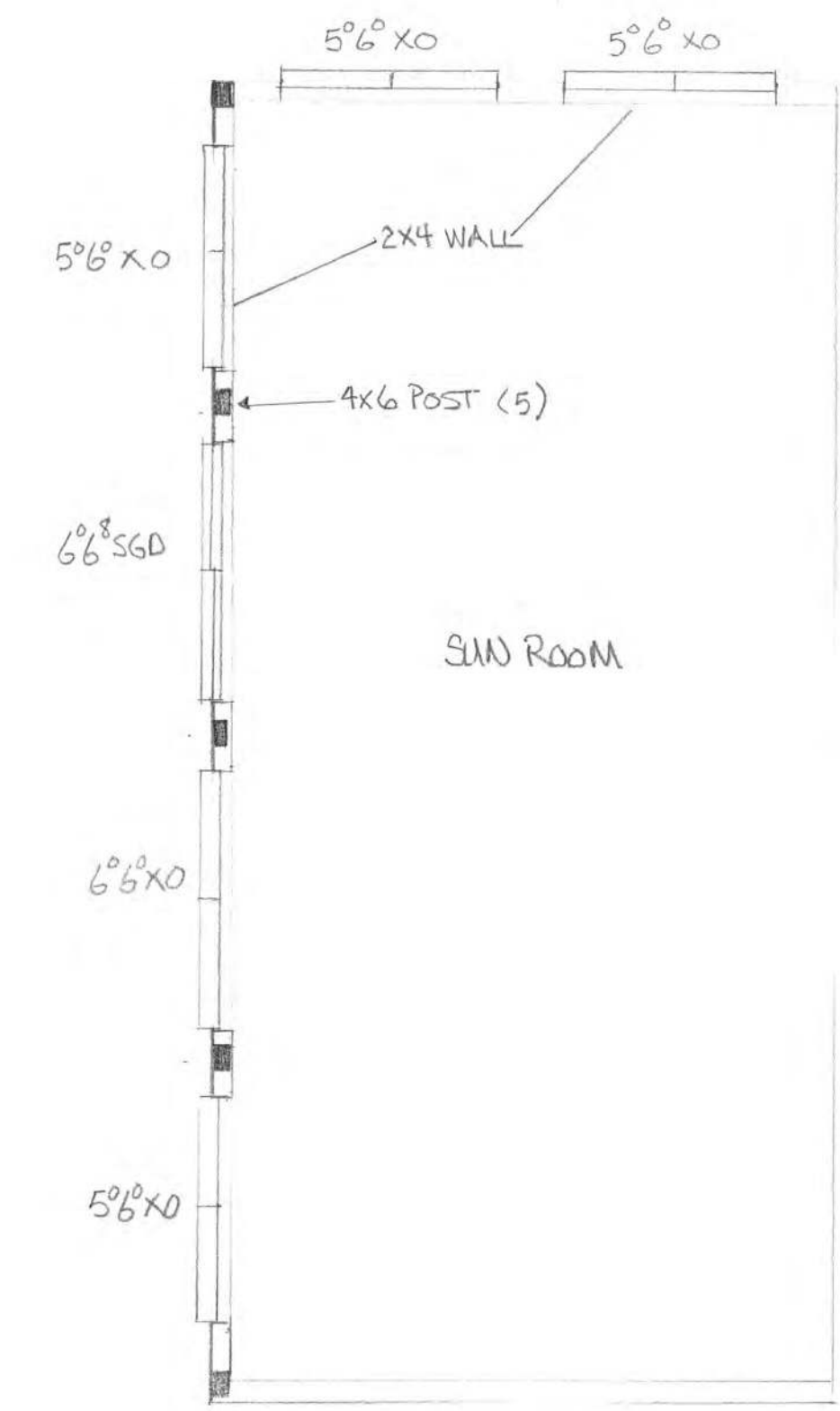
| REVISIONS | BY |
|-----------|----|
| | |
| | |
| | |
| | |
| | |
| | |
| | |
| | |
| | |
| | |



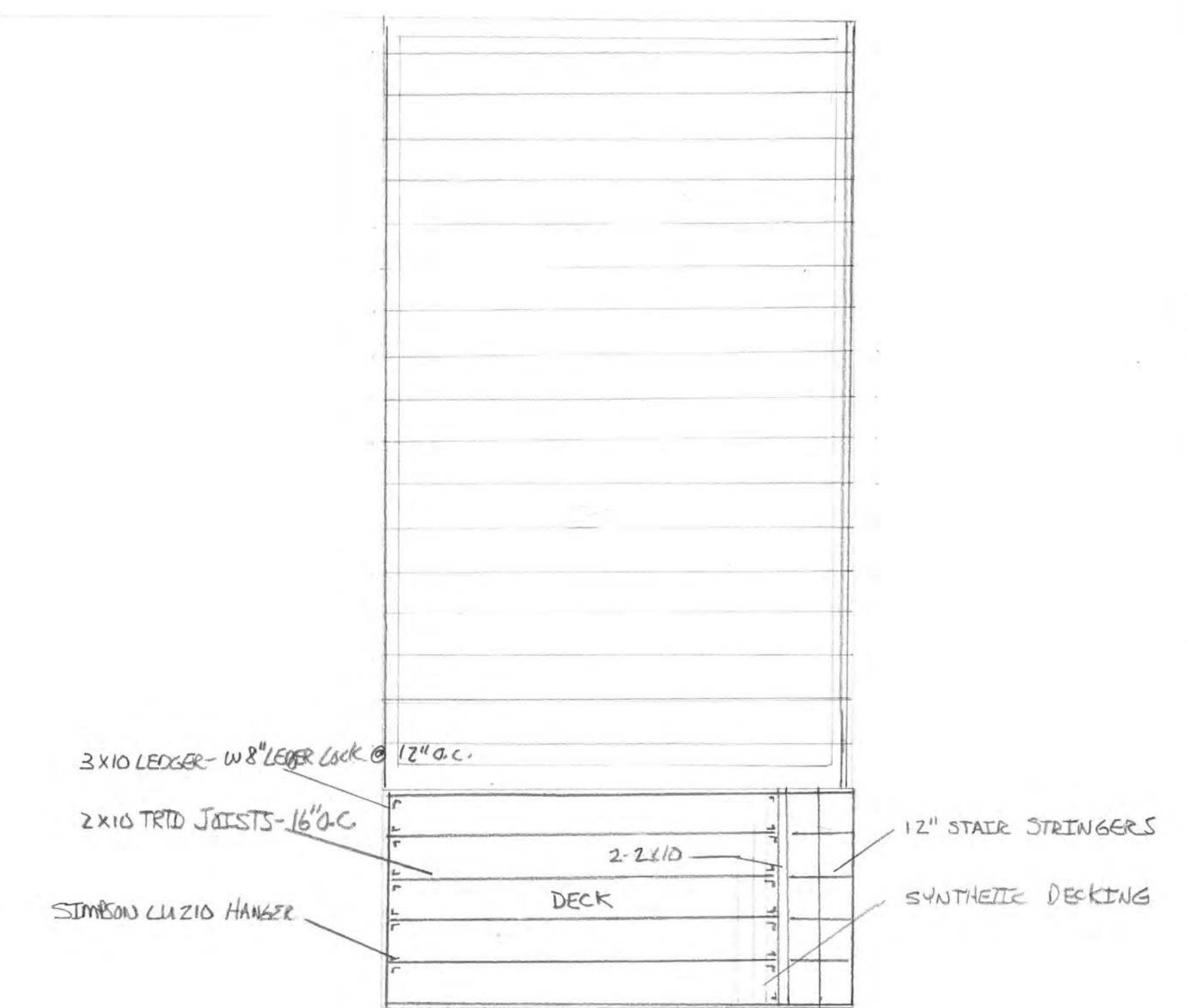
SUNROOM FOUNDATION



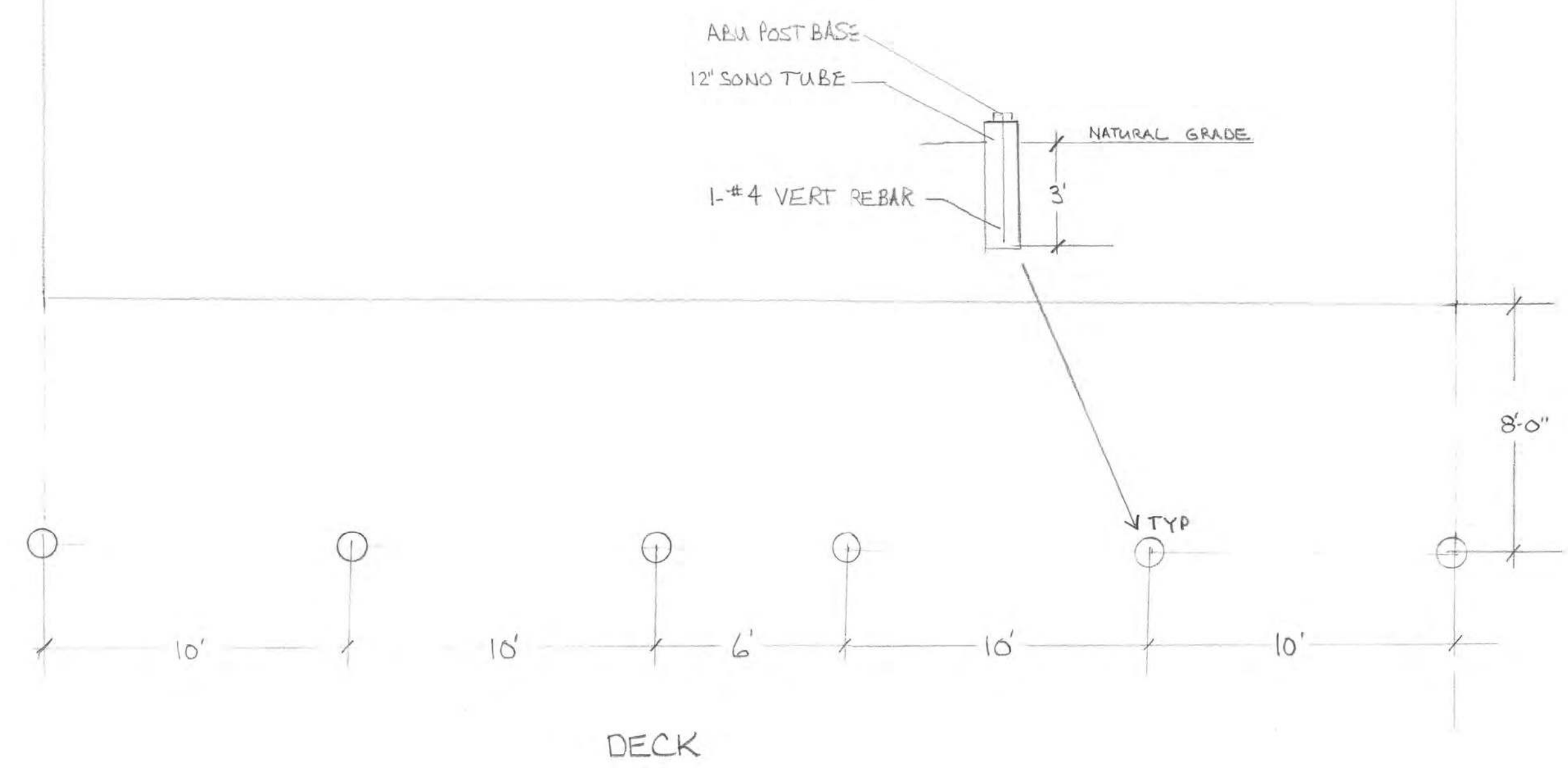
ADDITION FOUNDATION



SUNROOM FLOOR PLAN



ADDITION - FLOOR & DECK FRAMING

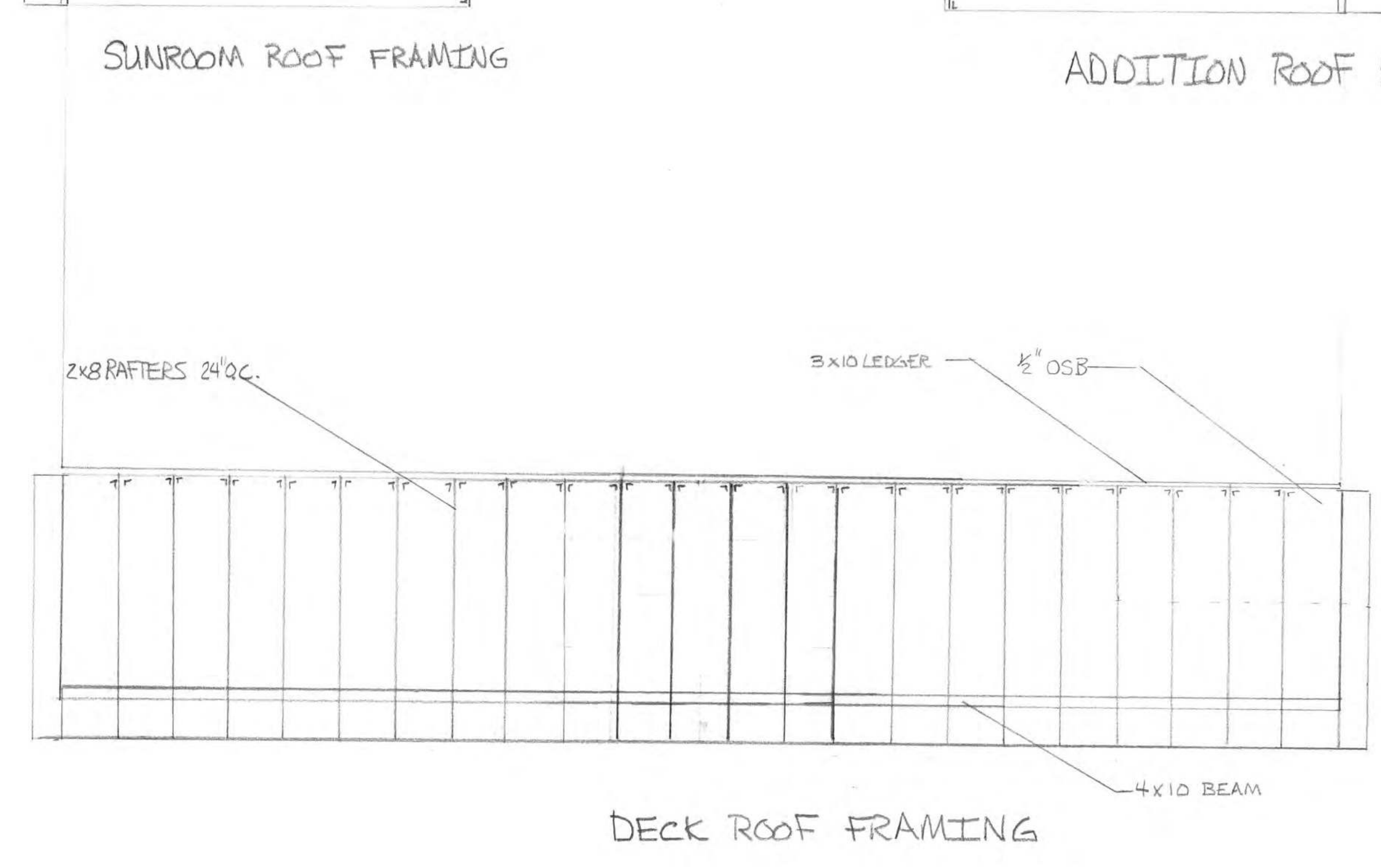
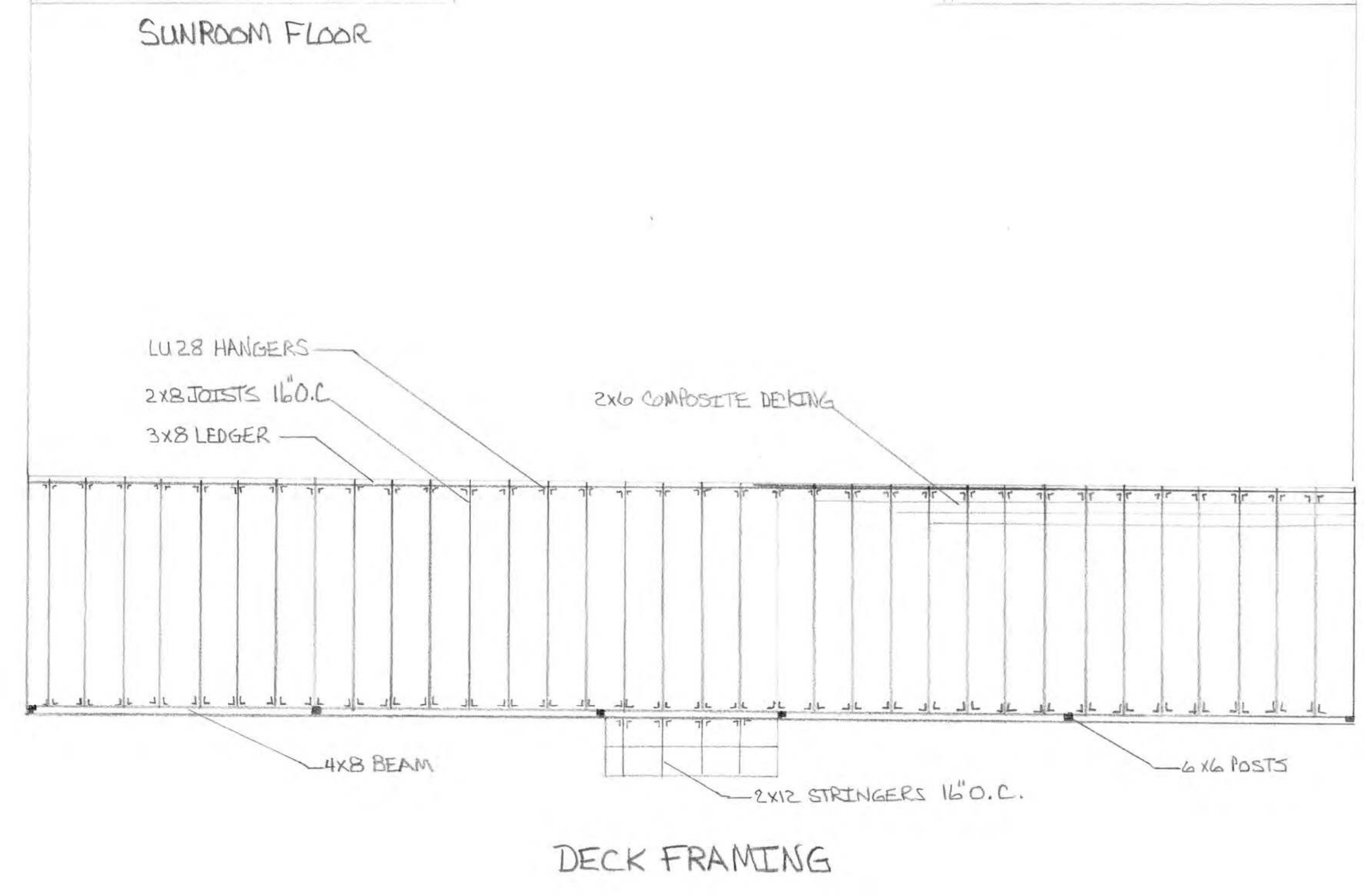
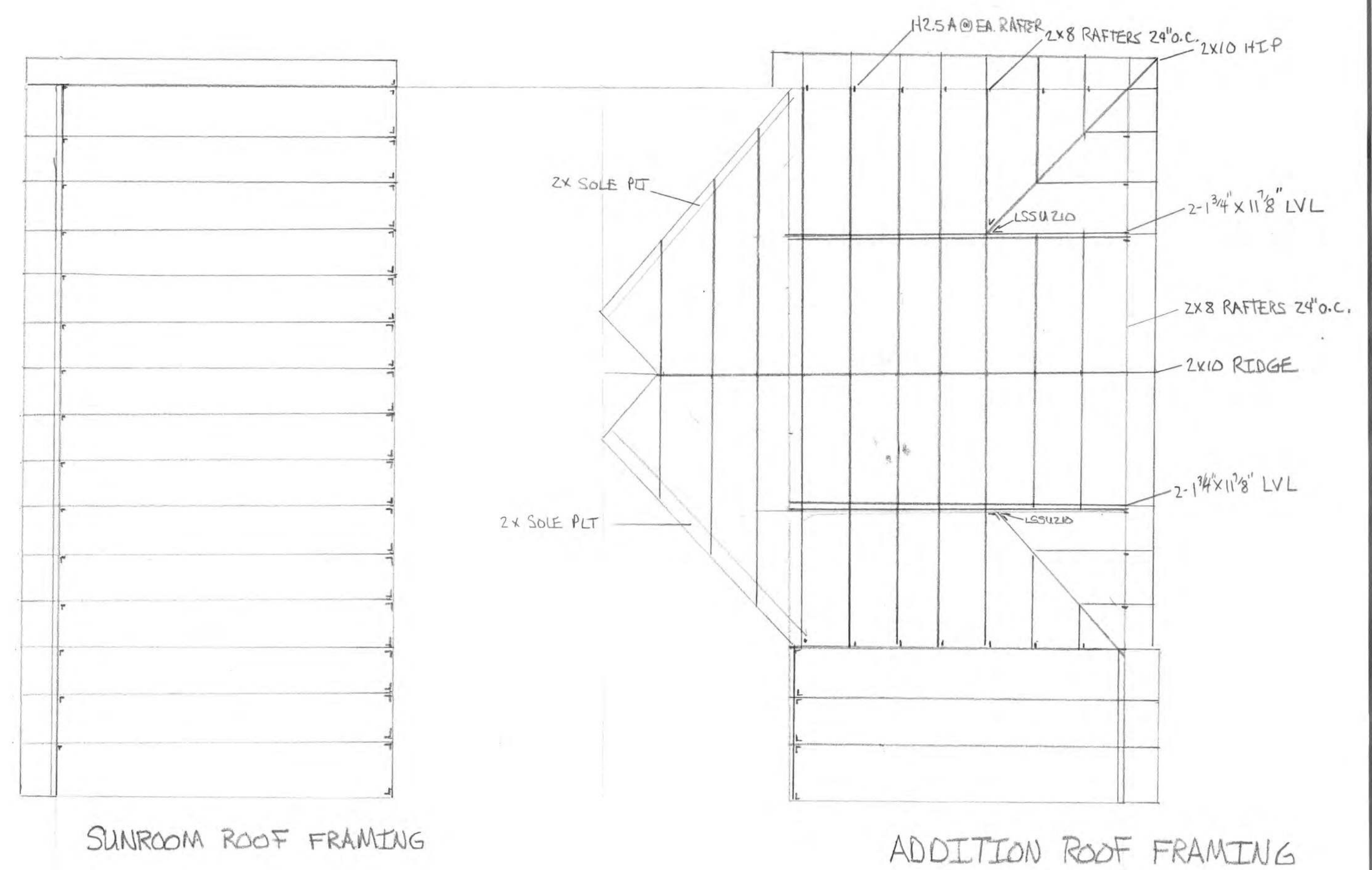
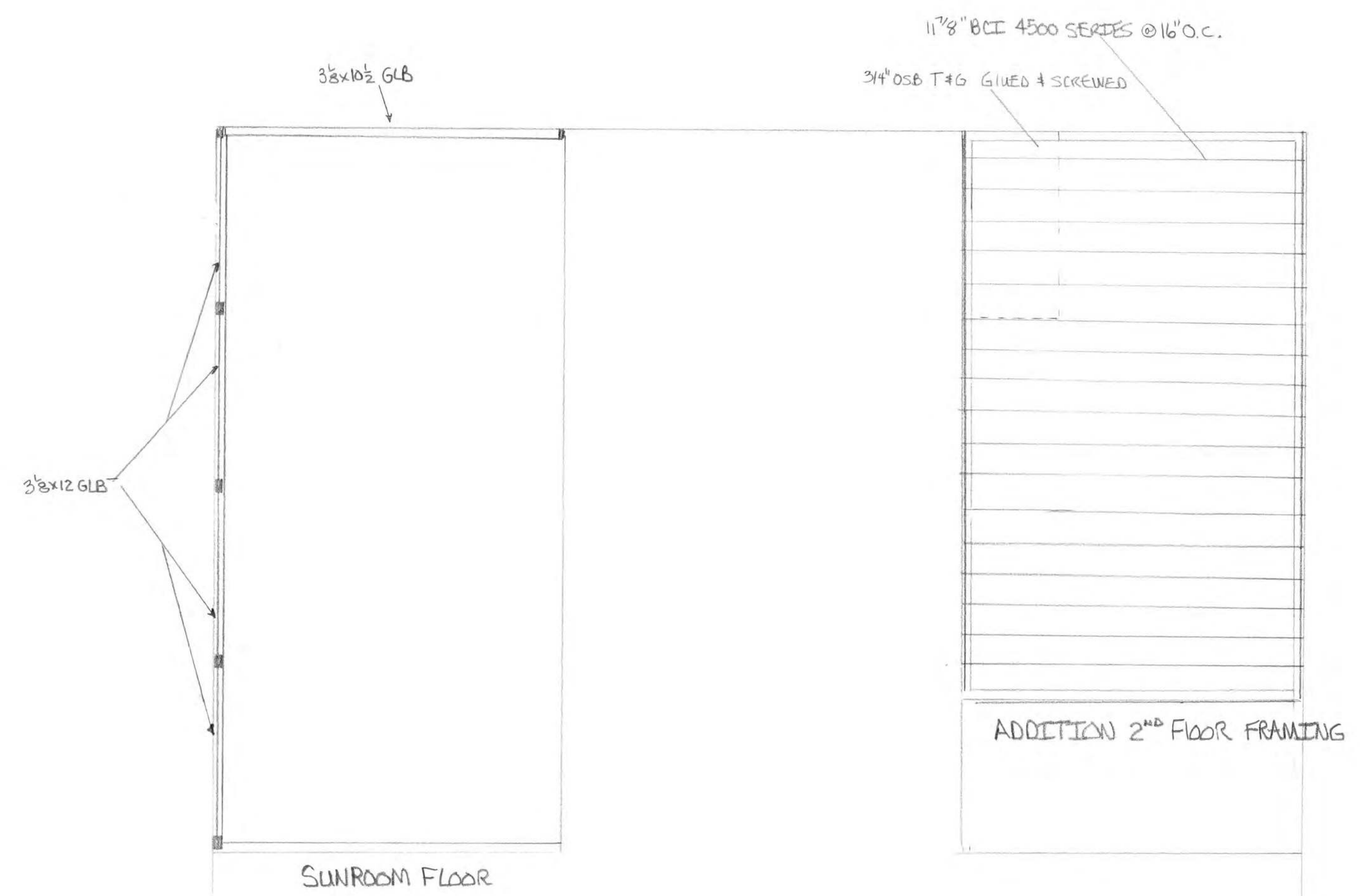
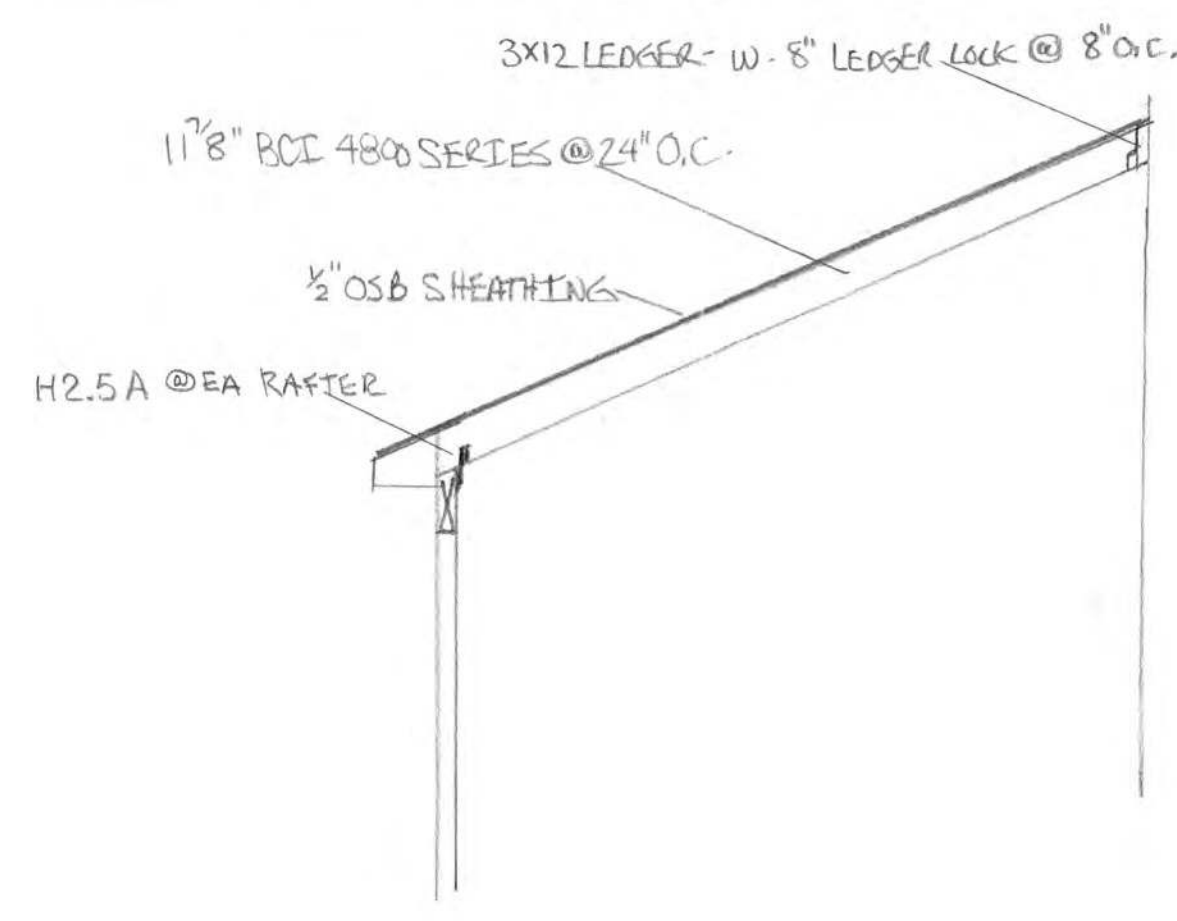


DECK



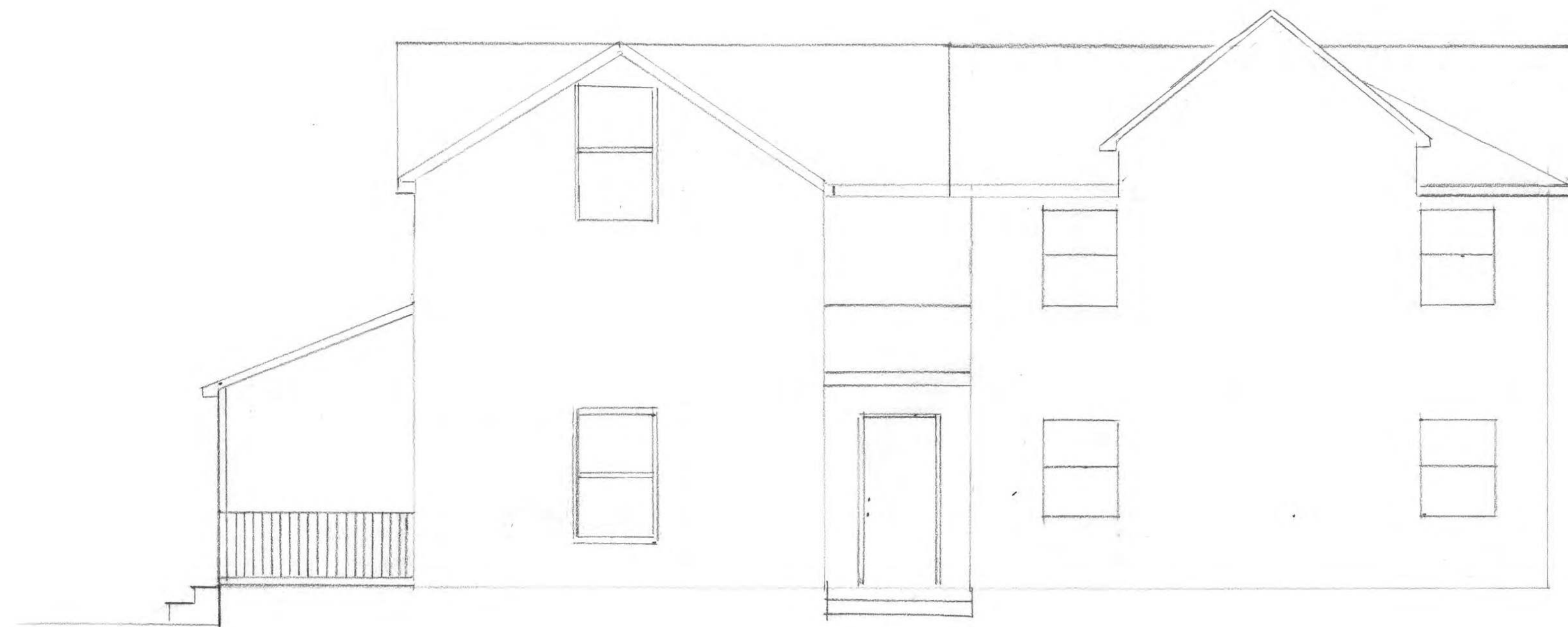
Date 10/24/2022
Scale 1/4" = 1'
Drawn PAL
Job STRICKBAND
Sheet FOUNDATION FLOOR
Of Sheets

| REVISIONS | BY |
|-----------|----|
| | |
| | |
| | |
| | |
| | |
| | |
| | |
| | |
| | |
| | |

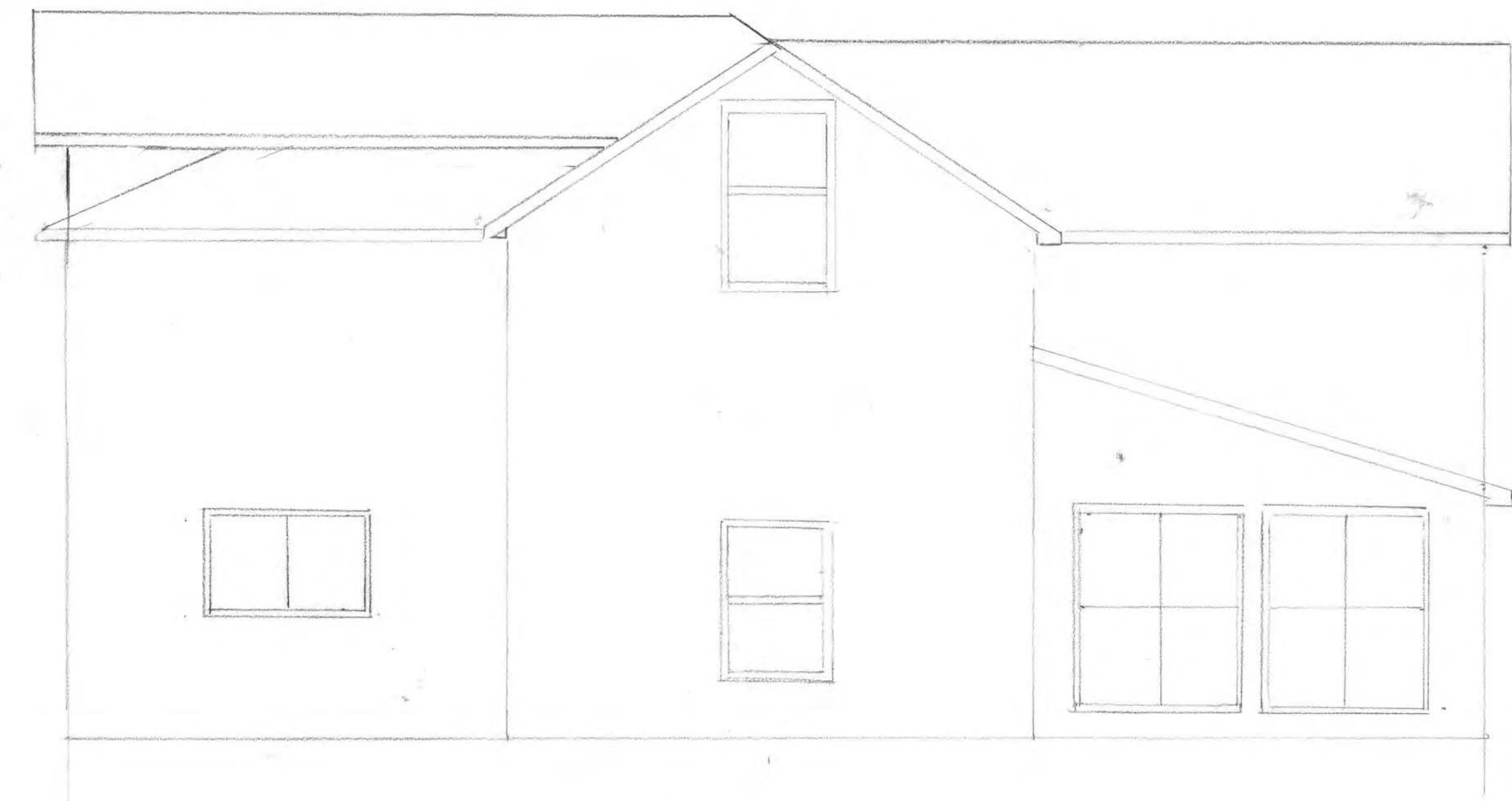




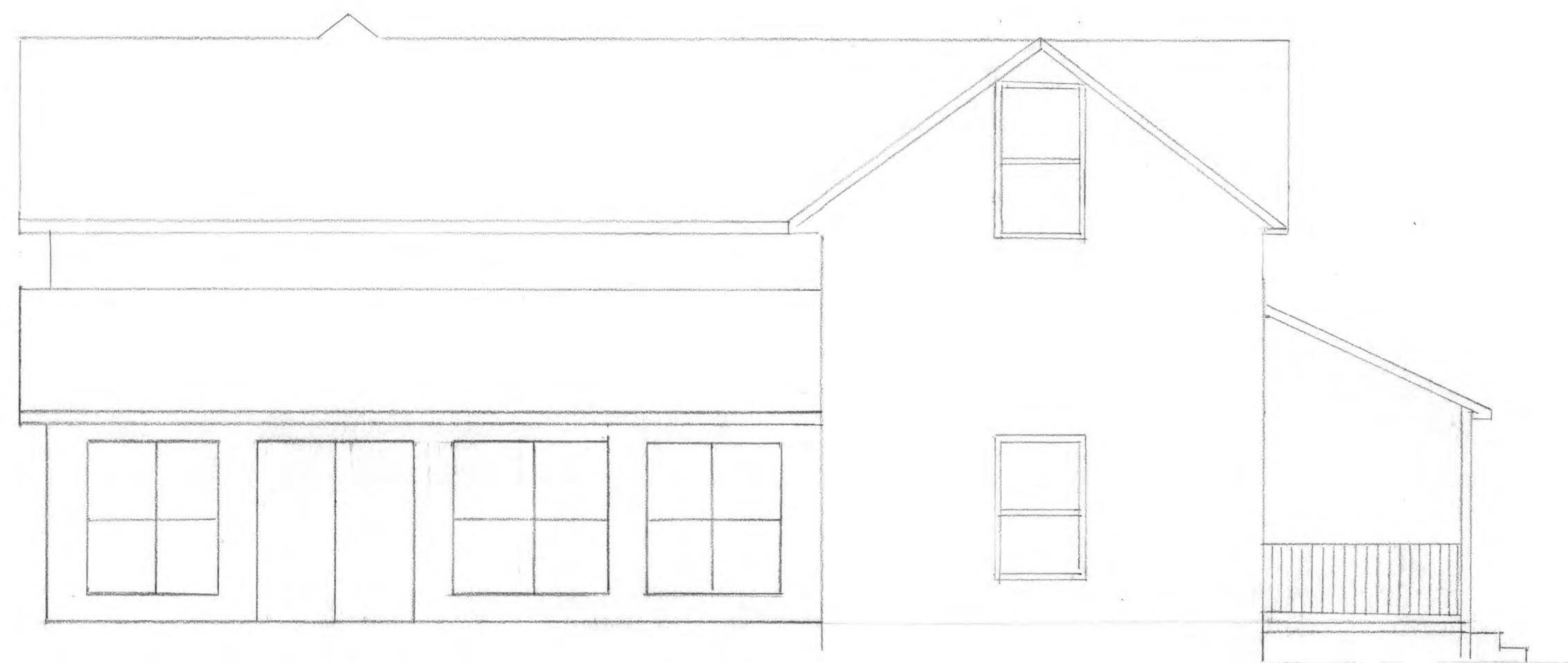
11/01/2023



RIGHT



BACK



LEFT



FRONT

| | | |
|--------------------------------|--------------|------------------------------|
| SCALE: 1/4" = 1' | APPROVED BY: | DRAWN BY: PAL |
| DATE: 10/24/22 | | REVISED: |
| STRICKBIND | | |
| 5725 County RD 360, LA VETA CO | | DRAWING NUMBER ELEVATIONS |