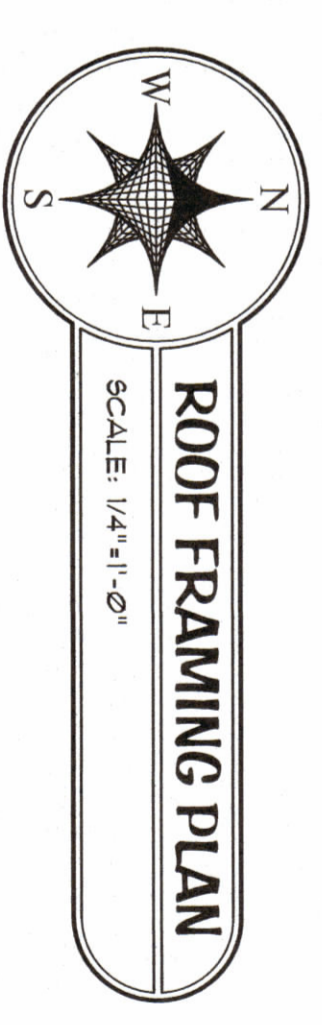
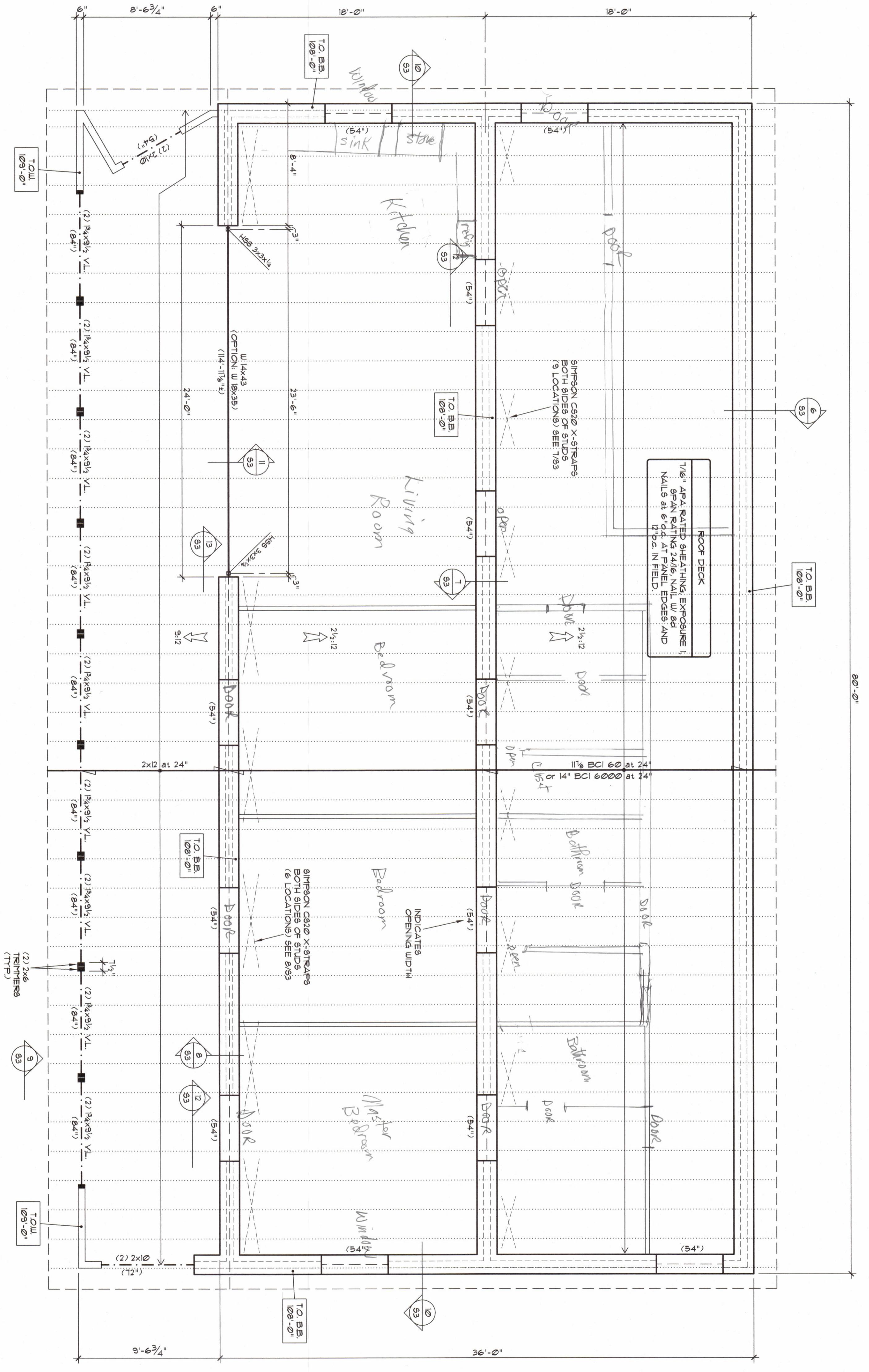
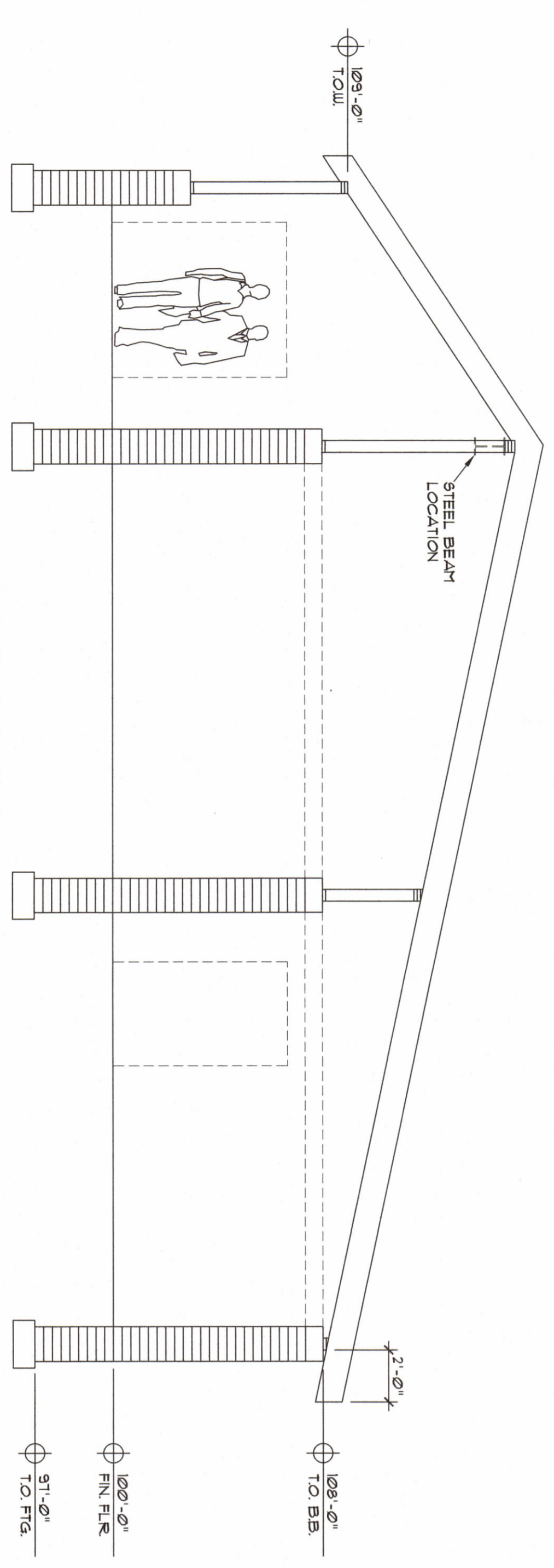


SIZE 46' x 80'
 fan color siding
 Adobe/stucco siding
 Green metal roof



BUILDING SECTION
 SCALE: 1/4"=1'-0"



S2
 SCALE BAR: 1/4"=1'-0"

ROOF FRAMING PLAN
 BUILDING SECTION
 Project: 24.025
 Date: April 5, 2024
 Revision:
 © 2024

VALENTINE ENGINEERING, LLC
 1108 N. Main Street
 Pueblo, Colorado 81003 (719) 542-9230
 www.VALENTINEENGINEERING.com

RIEDEL RESIDENCE
 Lot 9
 Major Ranch, Phase # 2
 Huerfano County, Colorado

