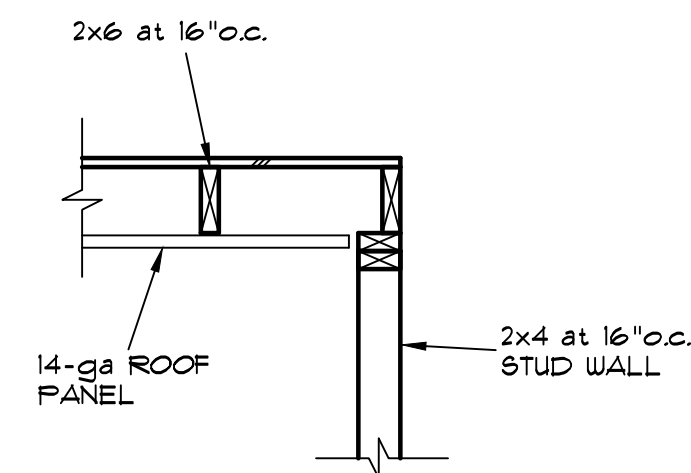
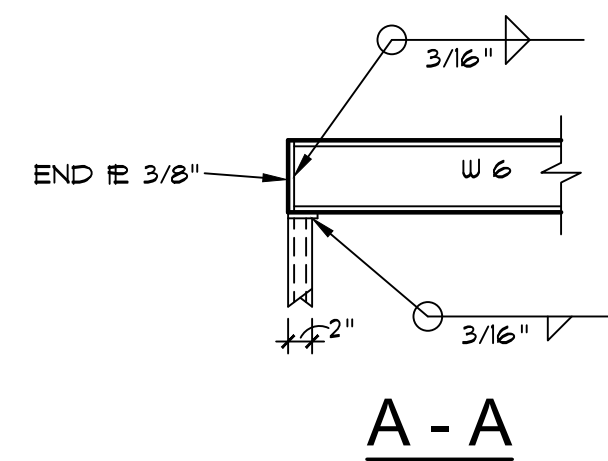


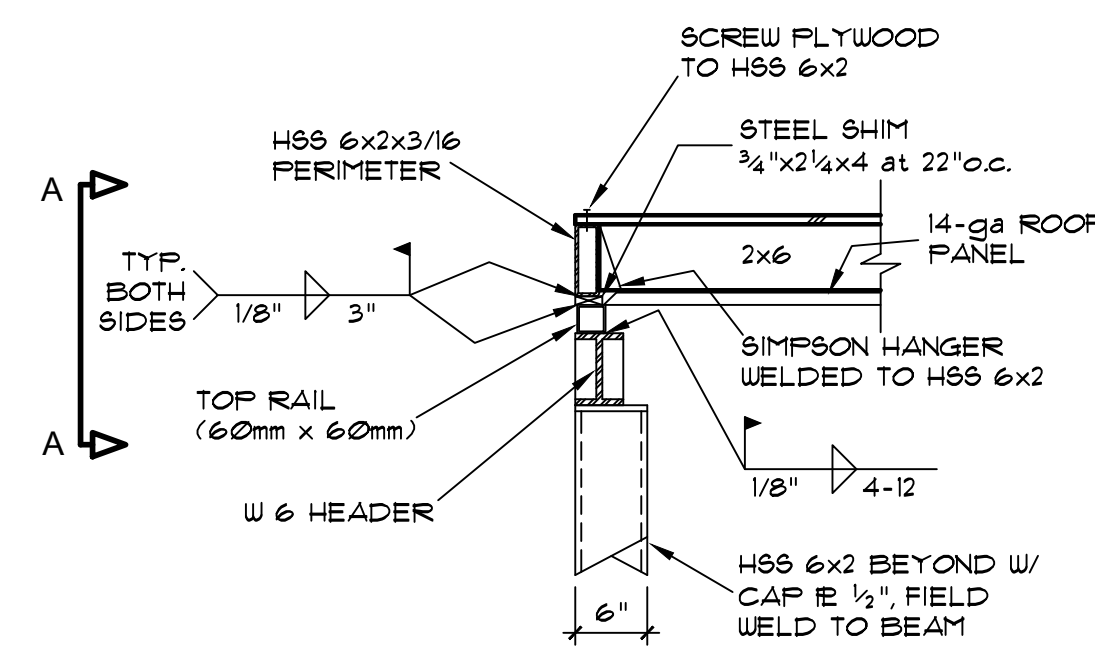
1 SCALE: 3/4"=1'-0"



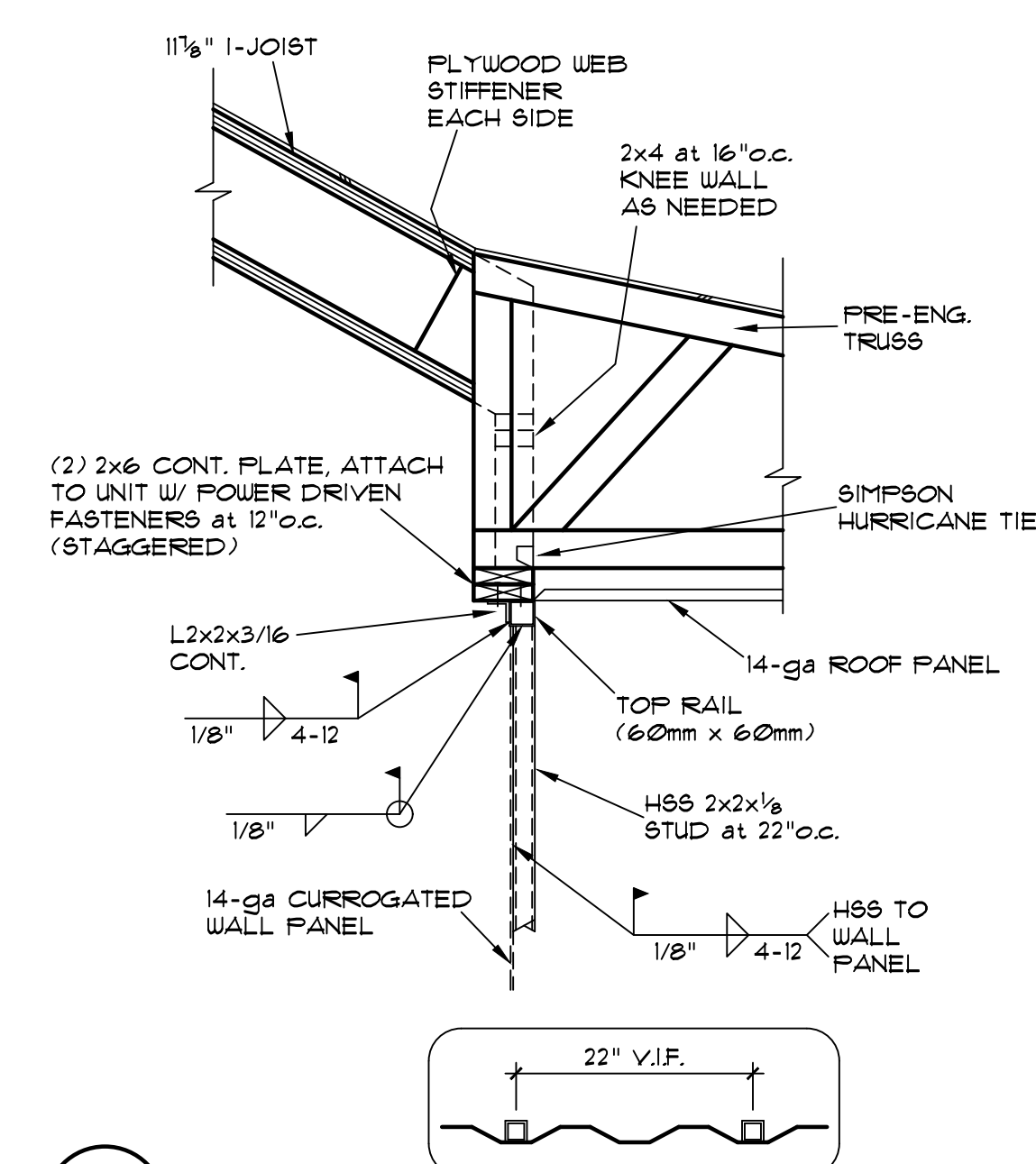
2 SCALE: 3/4"=1'-0"



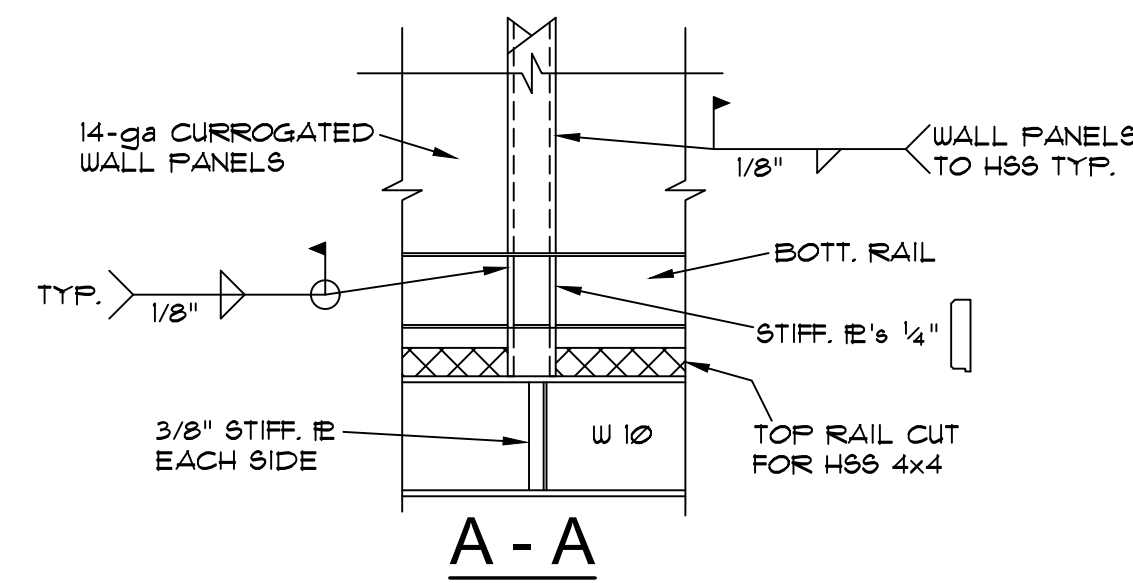
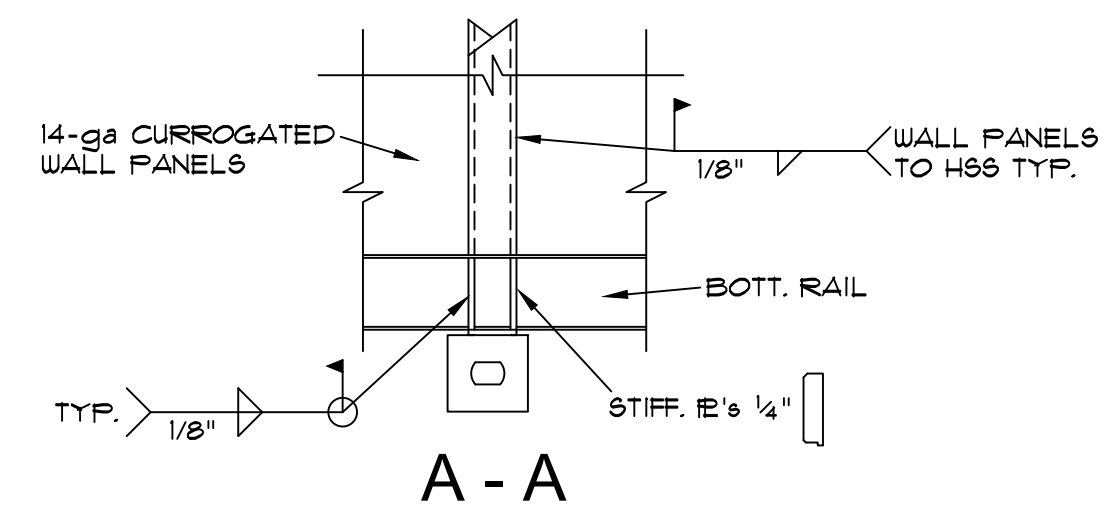
3 SCALE: 3/4"=1'-0"



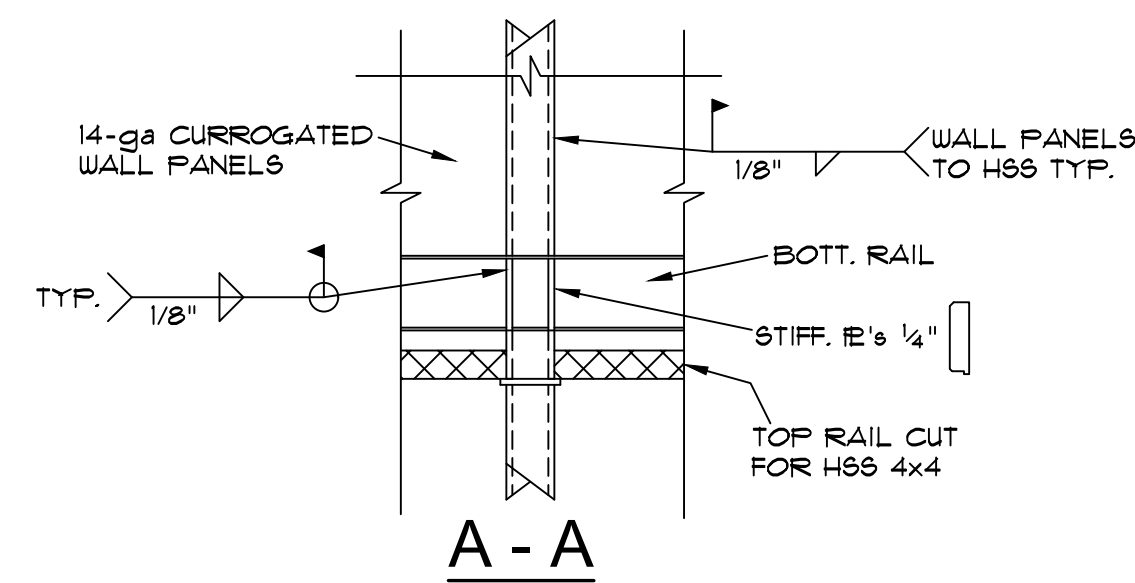
4 SCALE: 3/4"=1'-0"



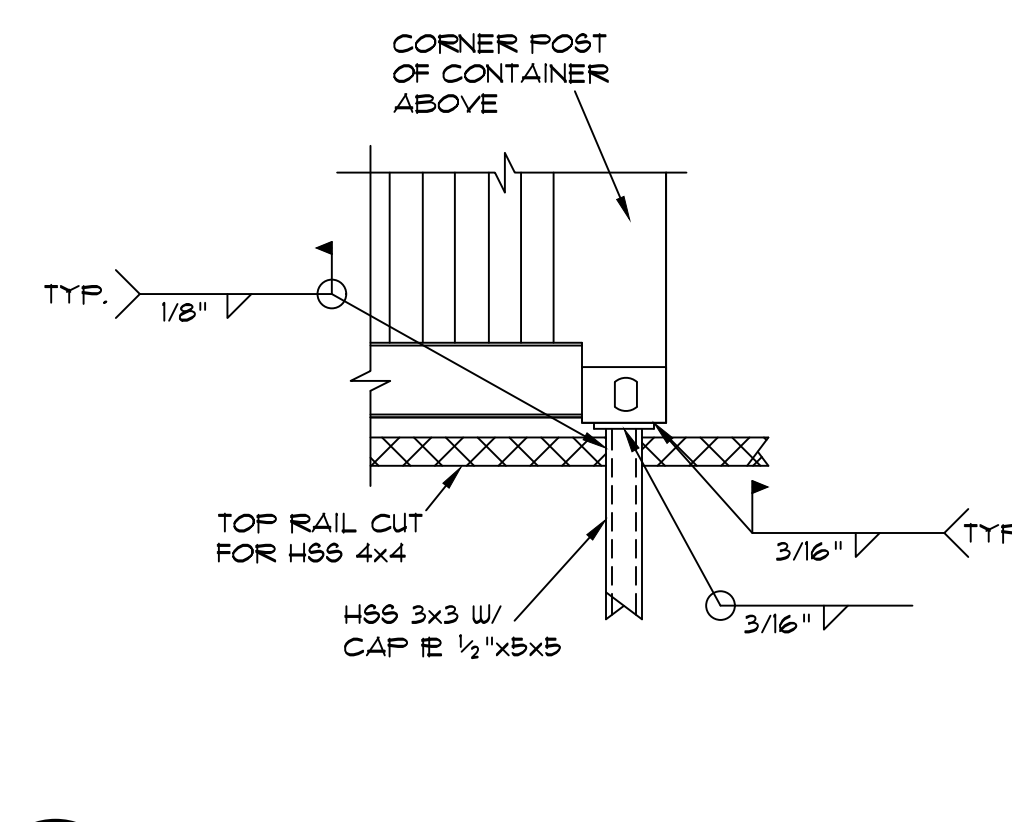
5 SCALE: 3/4"=1'-0"



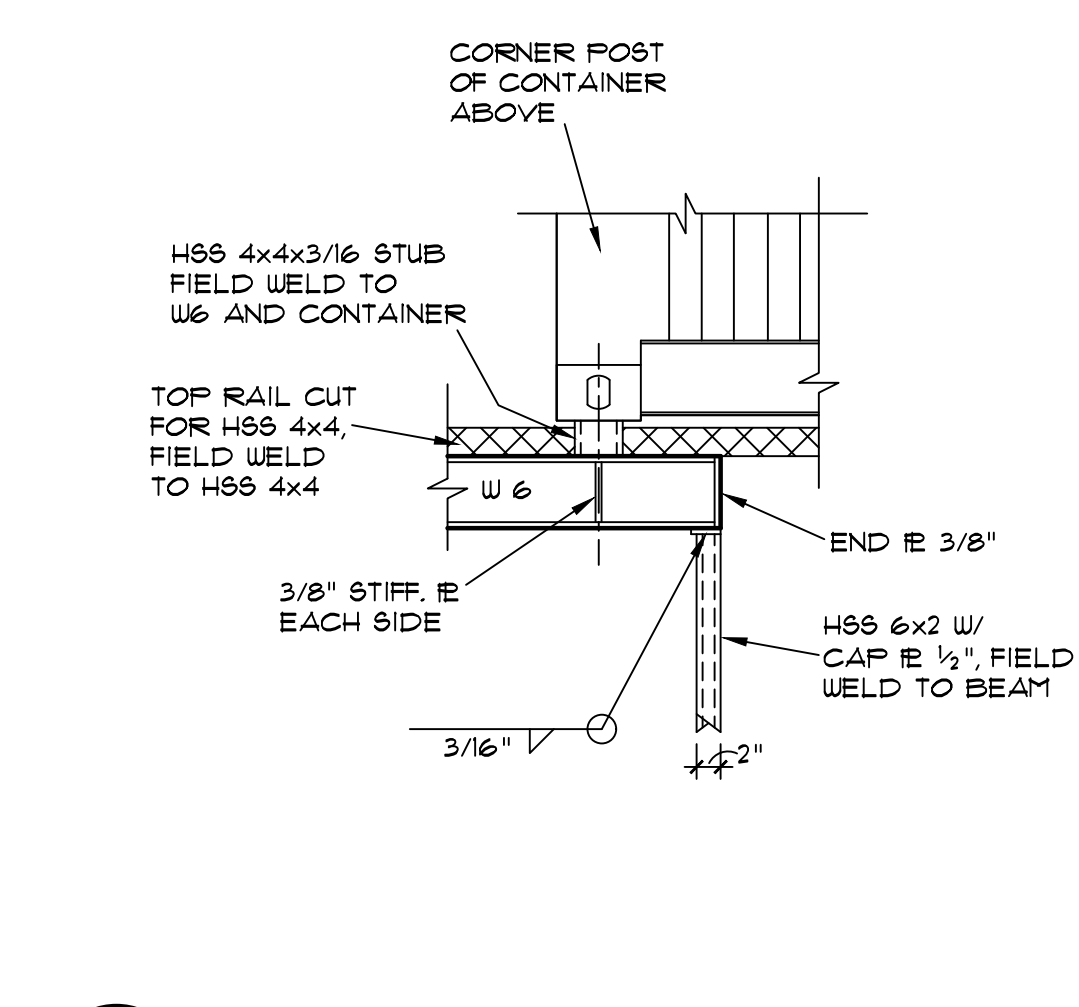
6 SCALE: 3/4"=1'-0"



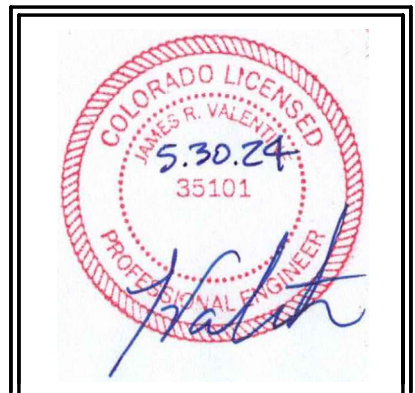
7 SCALE: 3/4"=1'-0"



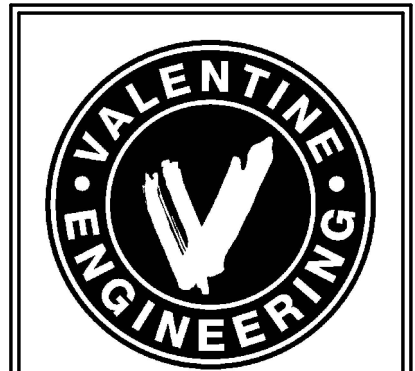
8 SCALE: 3/4"=1'-0"



9 SCALE: 3/4"=1'-0"



**FORTNEY RESIDENCE**  
 Lot 61, Unit 2  
 Eagle Flat Ranch  
 Huerfano County, CO



**VALENTINE ENGINEERING, LLC**  
 1108 N. Main Street  
 Pueblo, Colorado 81003 (719) 542-9230  
 www.VALENTINEENGINEERING.com

Project: 23.079	
Date: May 30, 2024	
Revision:	
© 2024	

**S6**

SCALE BAR: 3/4"=1'-0"