

FORTNEY RESIDENCE
 Lot 61, Unit 2
 Eagle Flat Ranch
 Huerfano County, CO

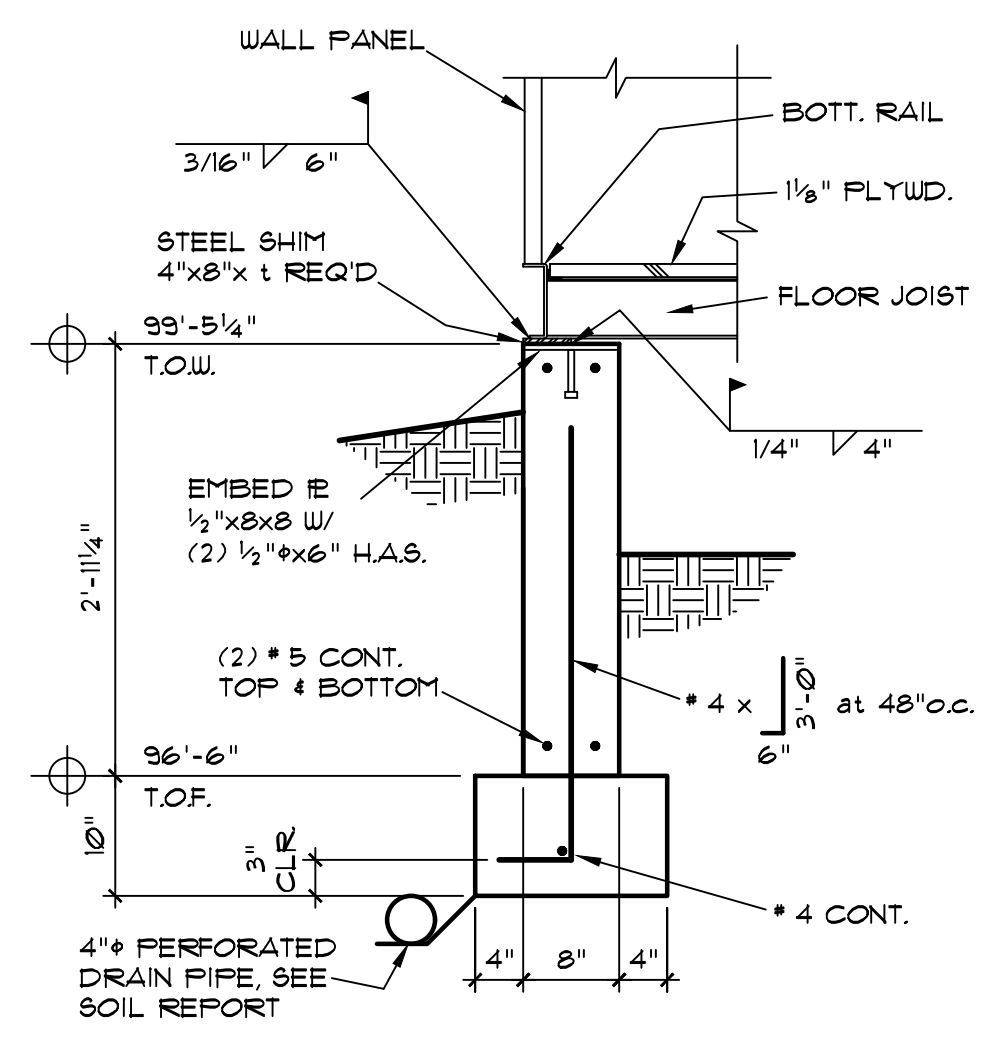
VALENTINE ENGINEERING, LLC
 1108 N. Main Street
 Pueblo, Colorado 81003 (719) 542-9230
 www.VALENTINEENGINEERING.com

DETAILS

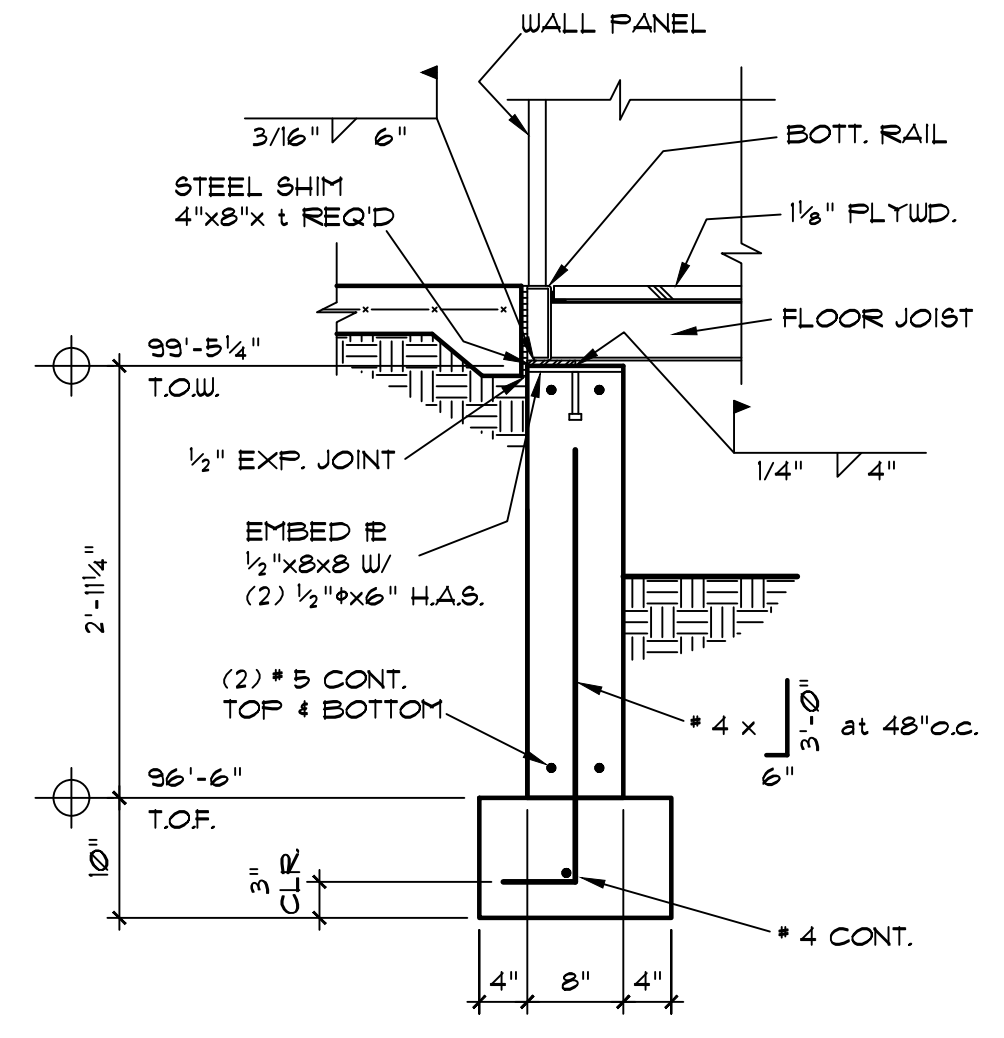
Project:	23.079
Date:	May 30, 2024
Revision:	
© 2024	

S5

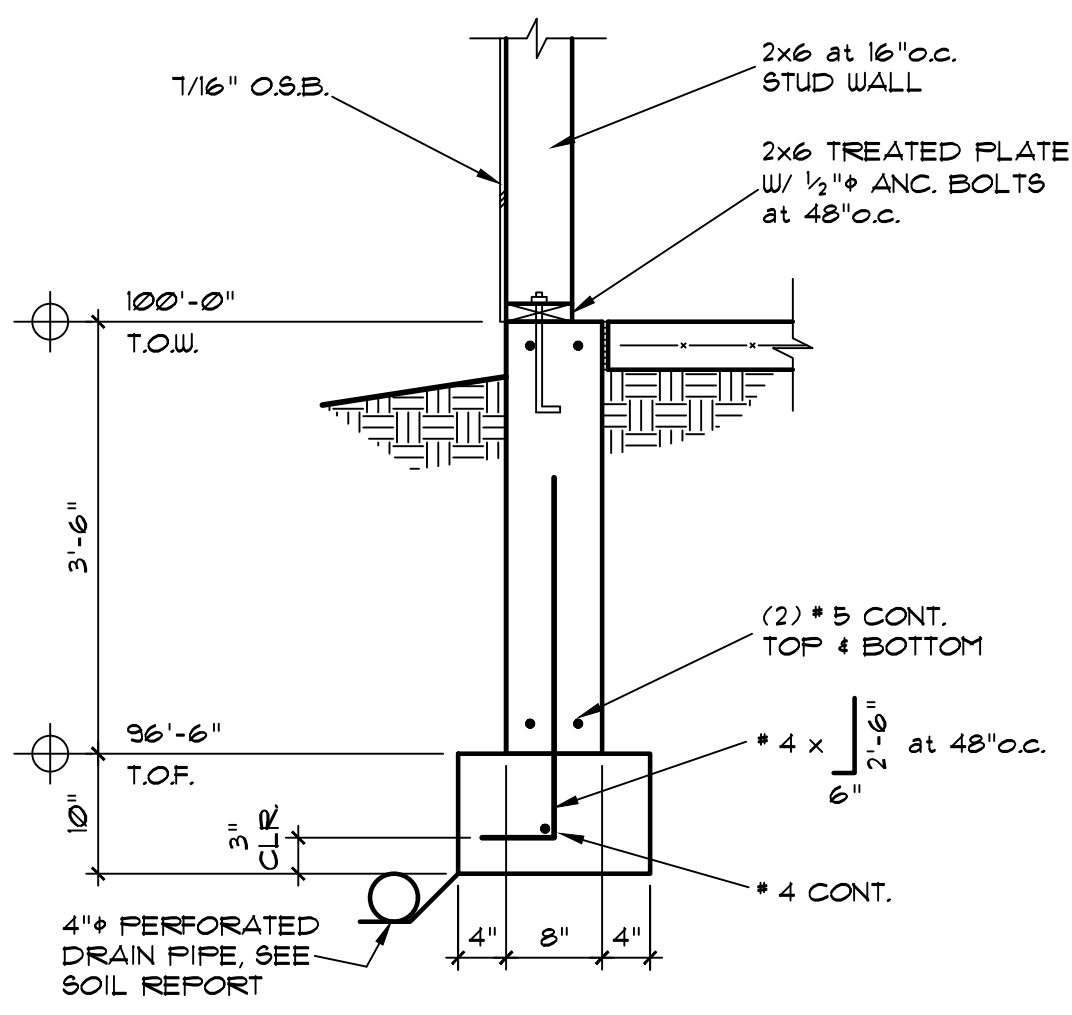
SCALE BAR: 3/4"=1'-0"



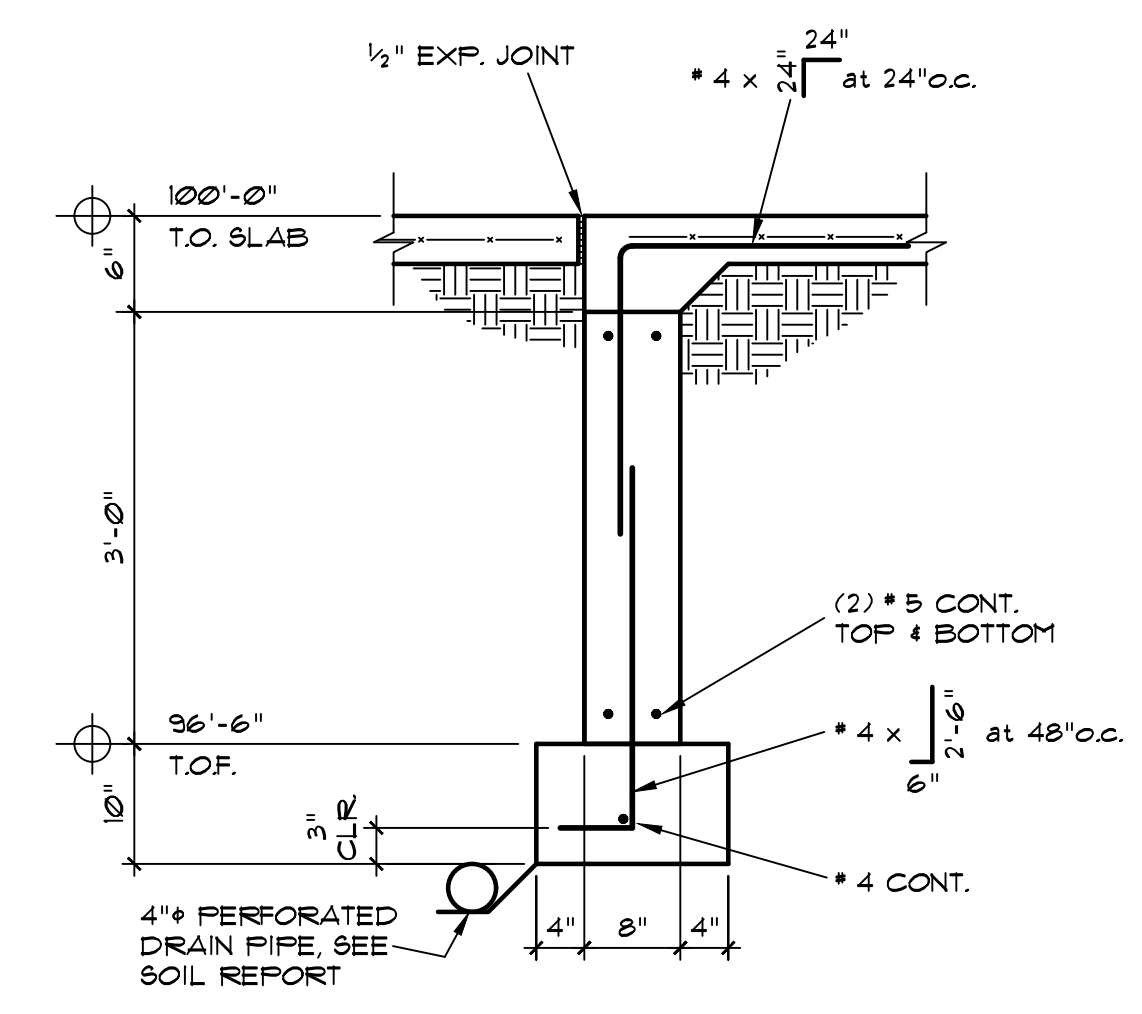
1 SCALE: 3/4"=1'-0"



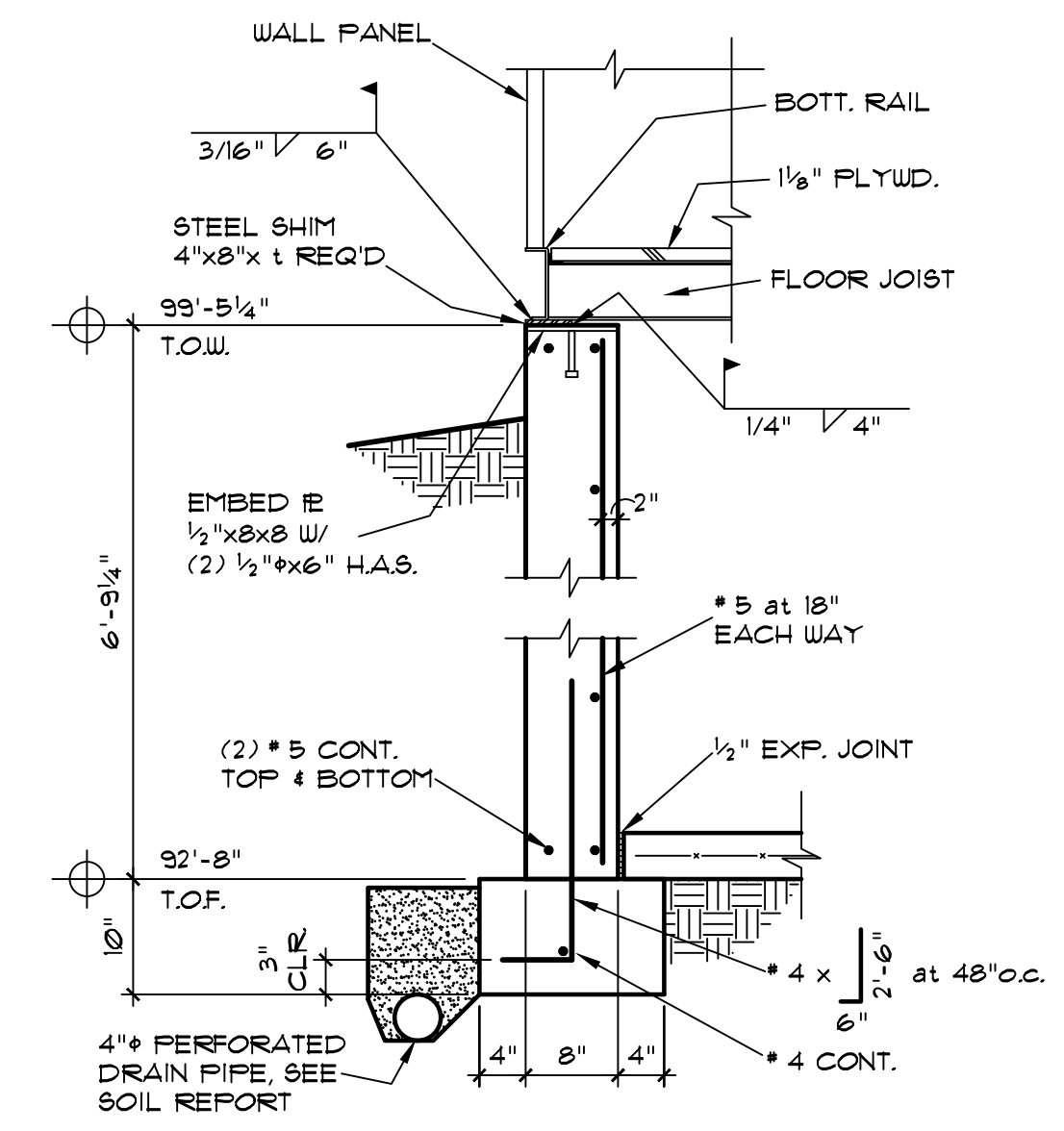
2 SCALE: 3/4"=1'-0"



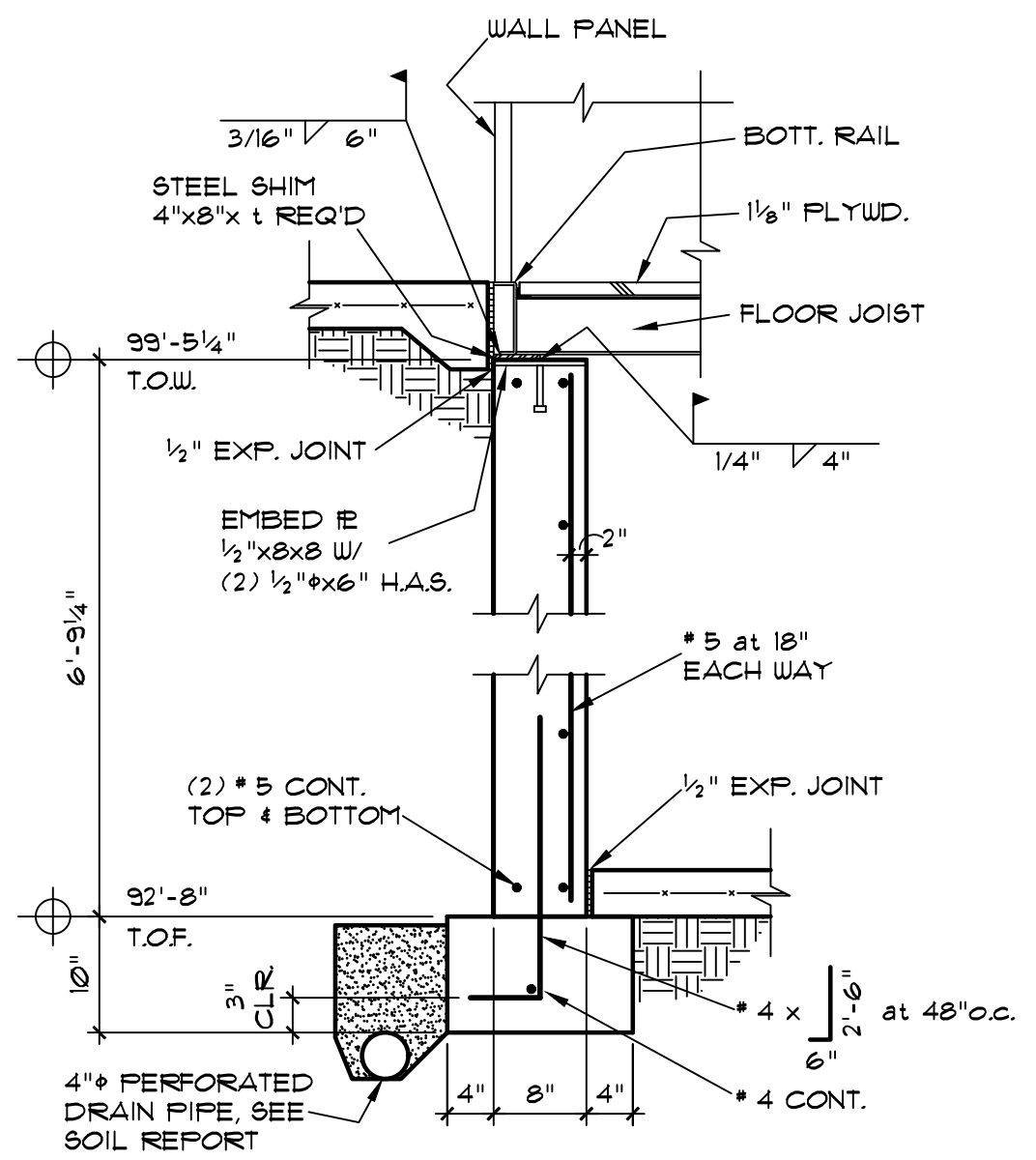
3 SCALE: 3/4"=1'-0"



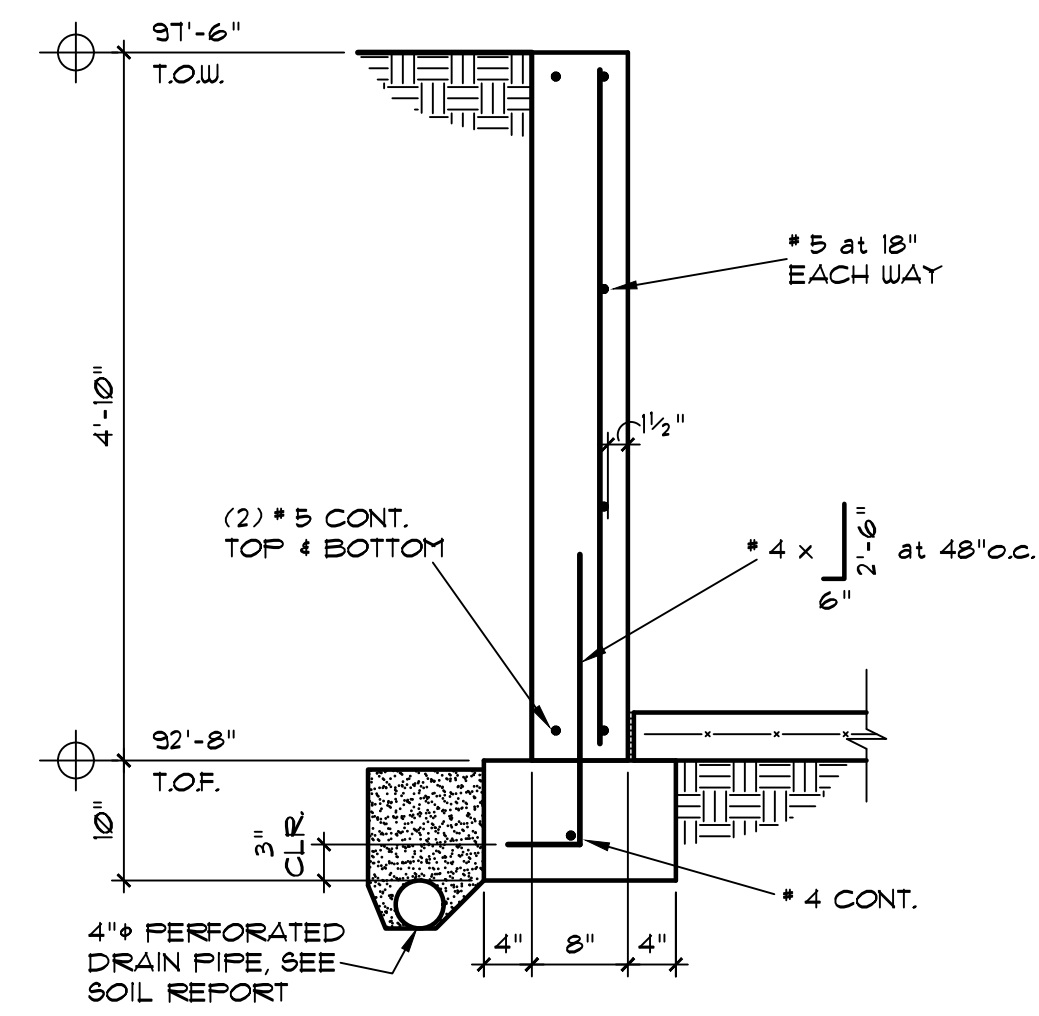
4 SCALE: 3/4"=1'-0"



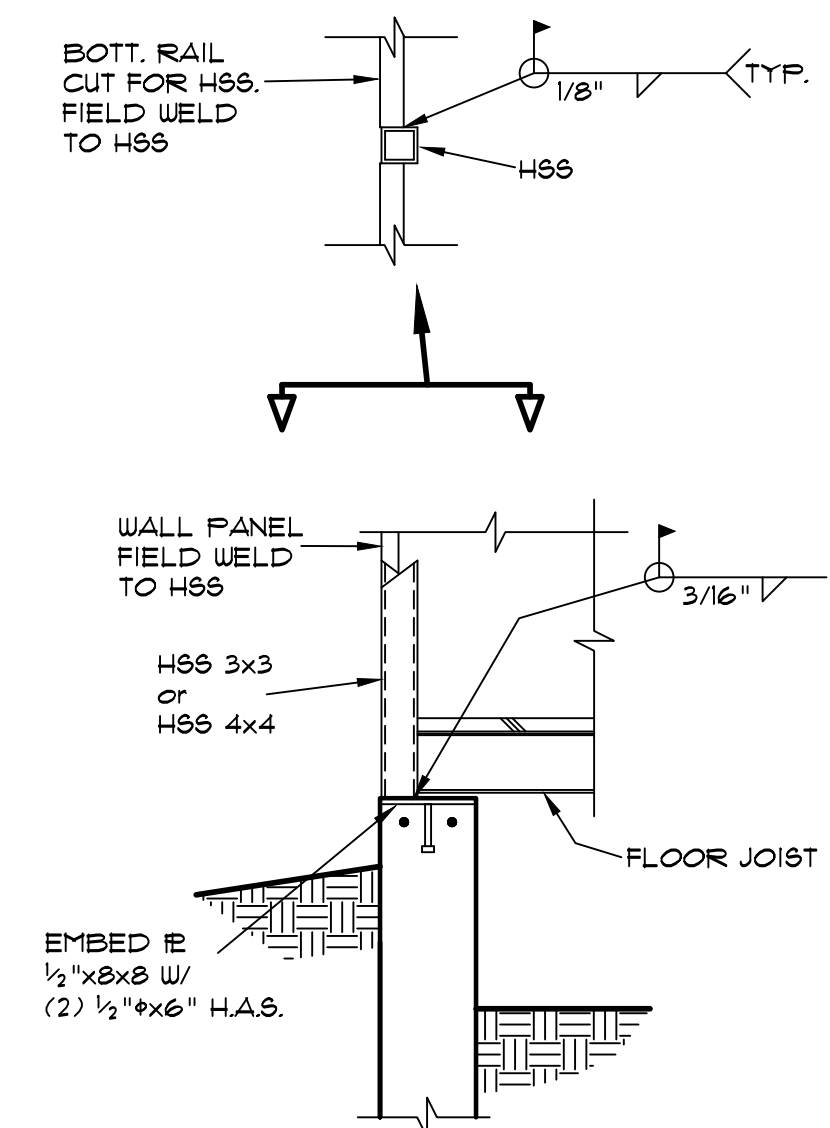
5 SCALE: 3/4"=1'-0"



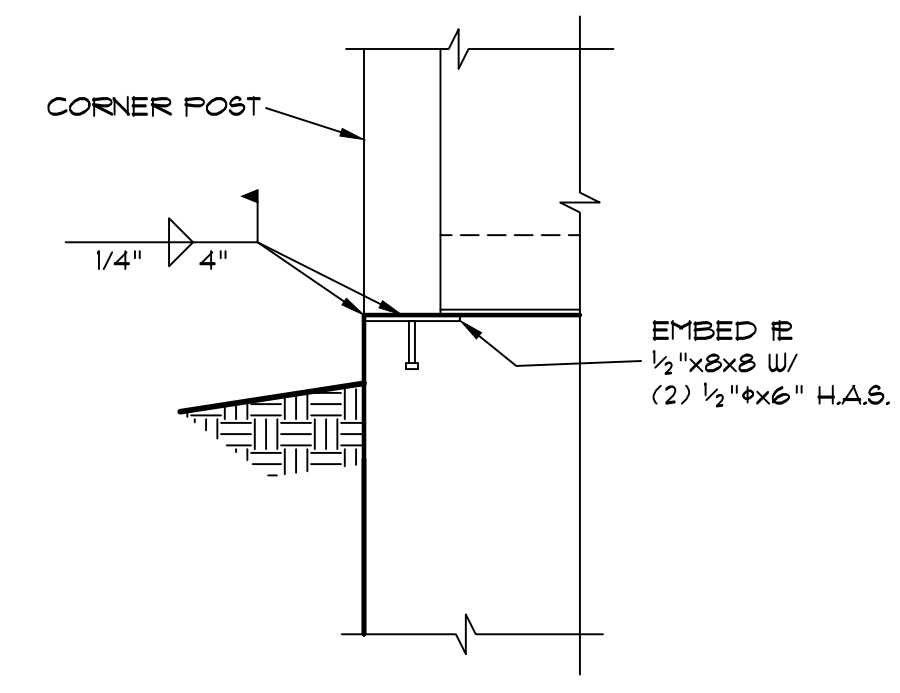
6 SCALE: 3/4"=1'-0"



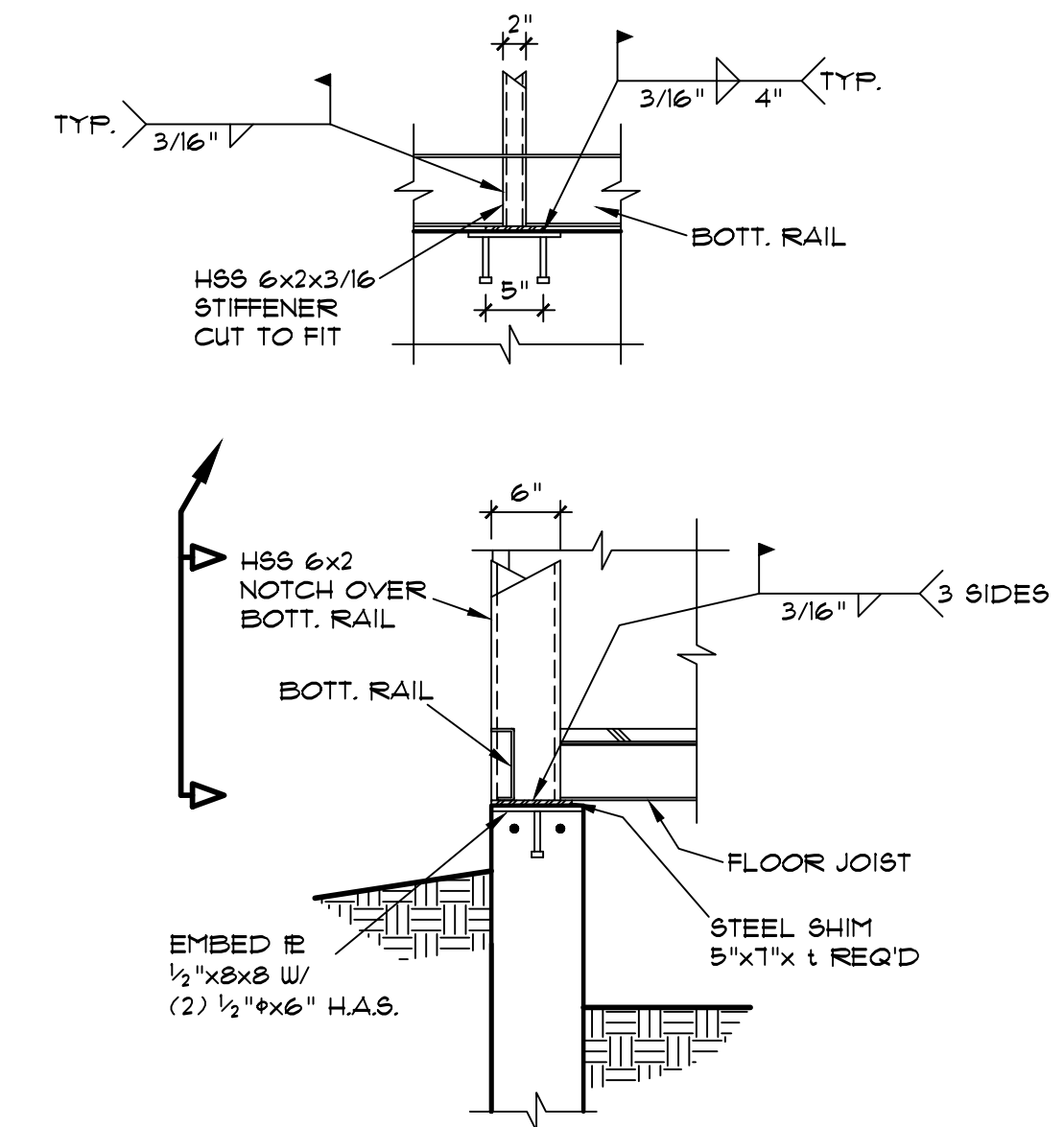
7 SCALE: 3/4"=1'-0"



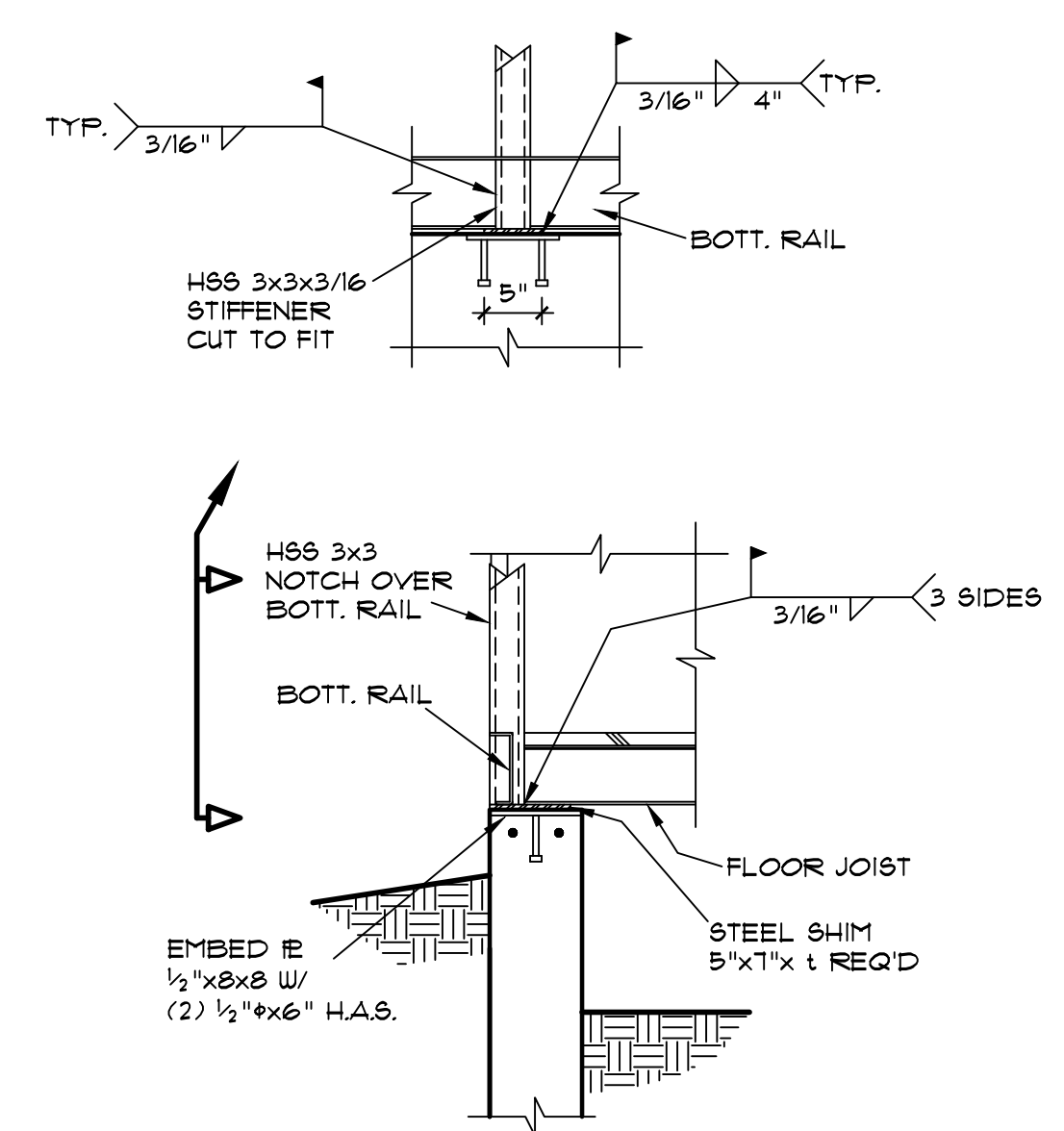
8 SCALE: 3/4"=1'-0"



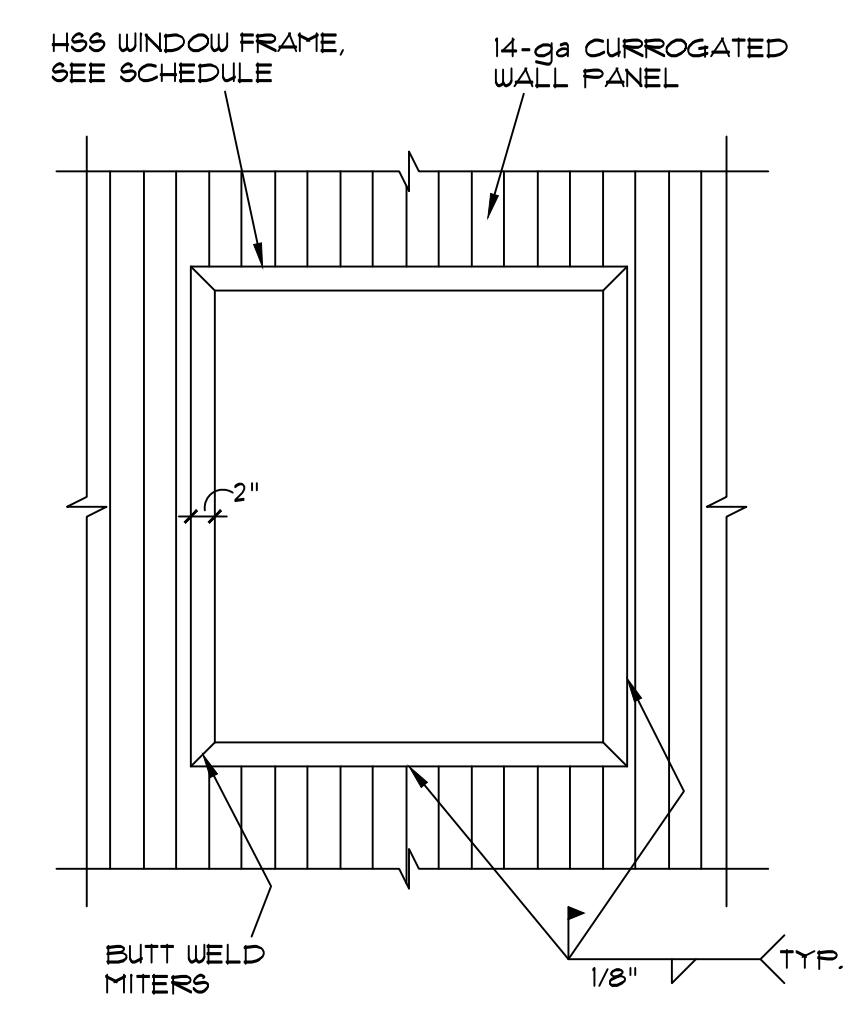
9 SCALE: 3/4"=1'-0"



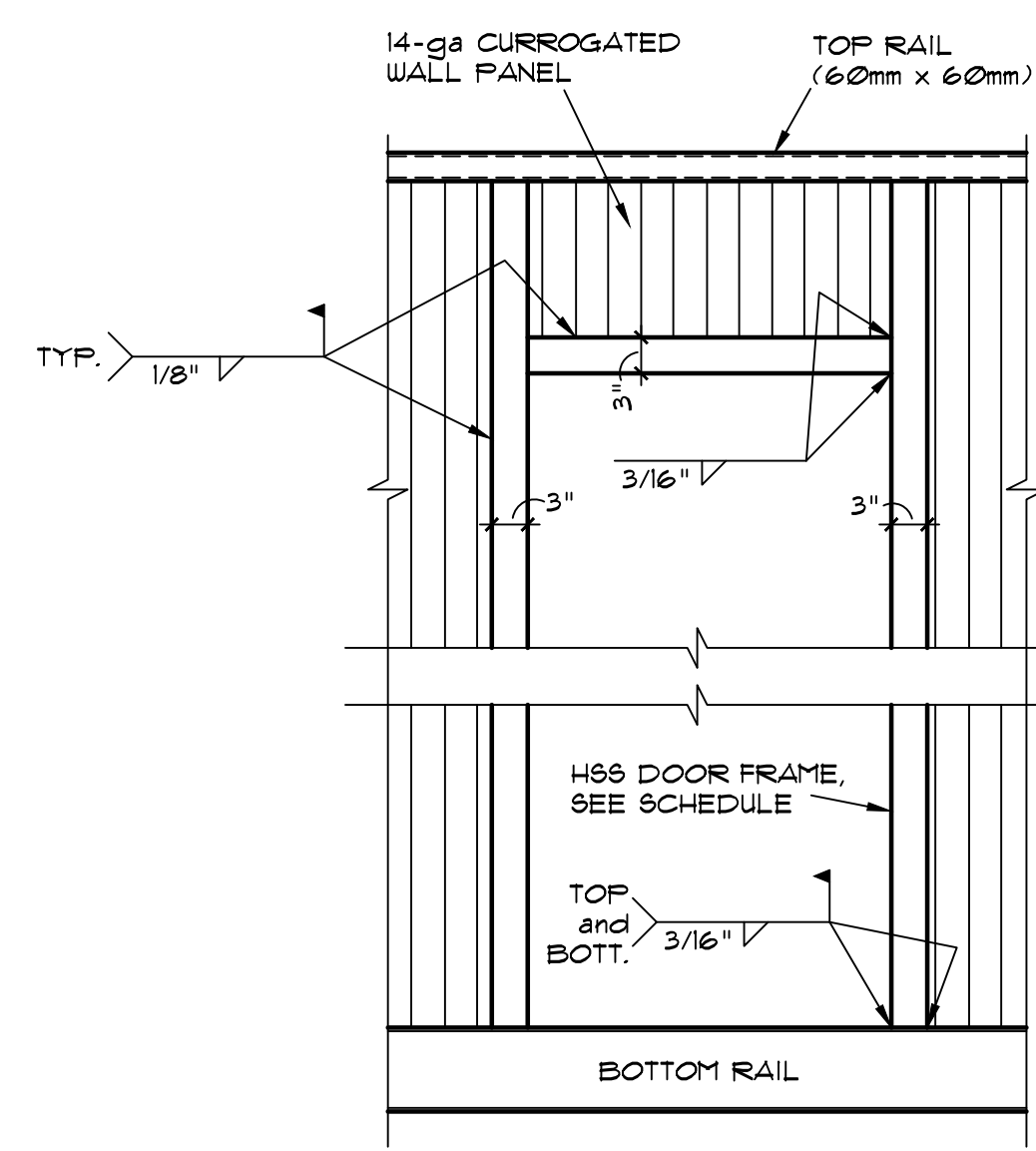
10 SCALE: 3/4"=1'-0"



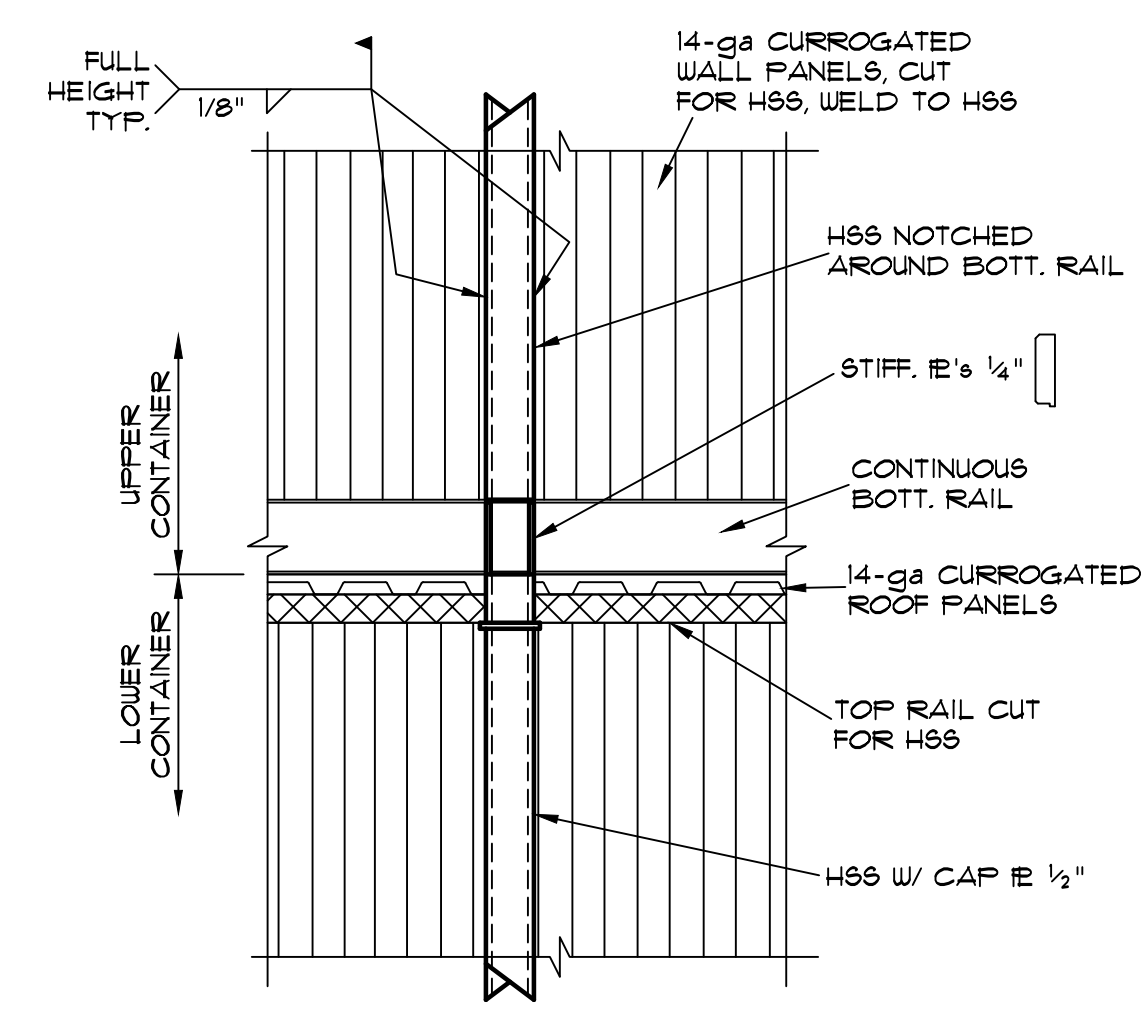
11 SCALE: 3/4"=1'-0"



12 Window Detail SCALE: 3/4"=1'-0"



13 Door Detail SCALE: 3/4"=1'-0"



14 Stacked Column Detail SCALE: 3/4"=1'-0"