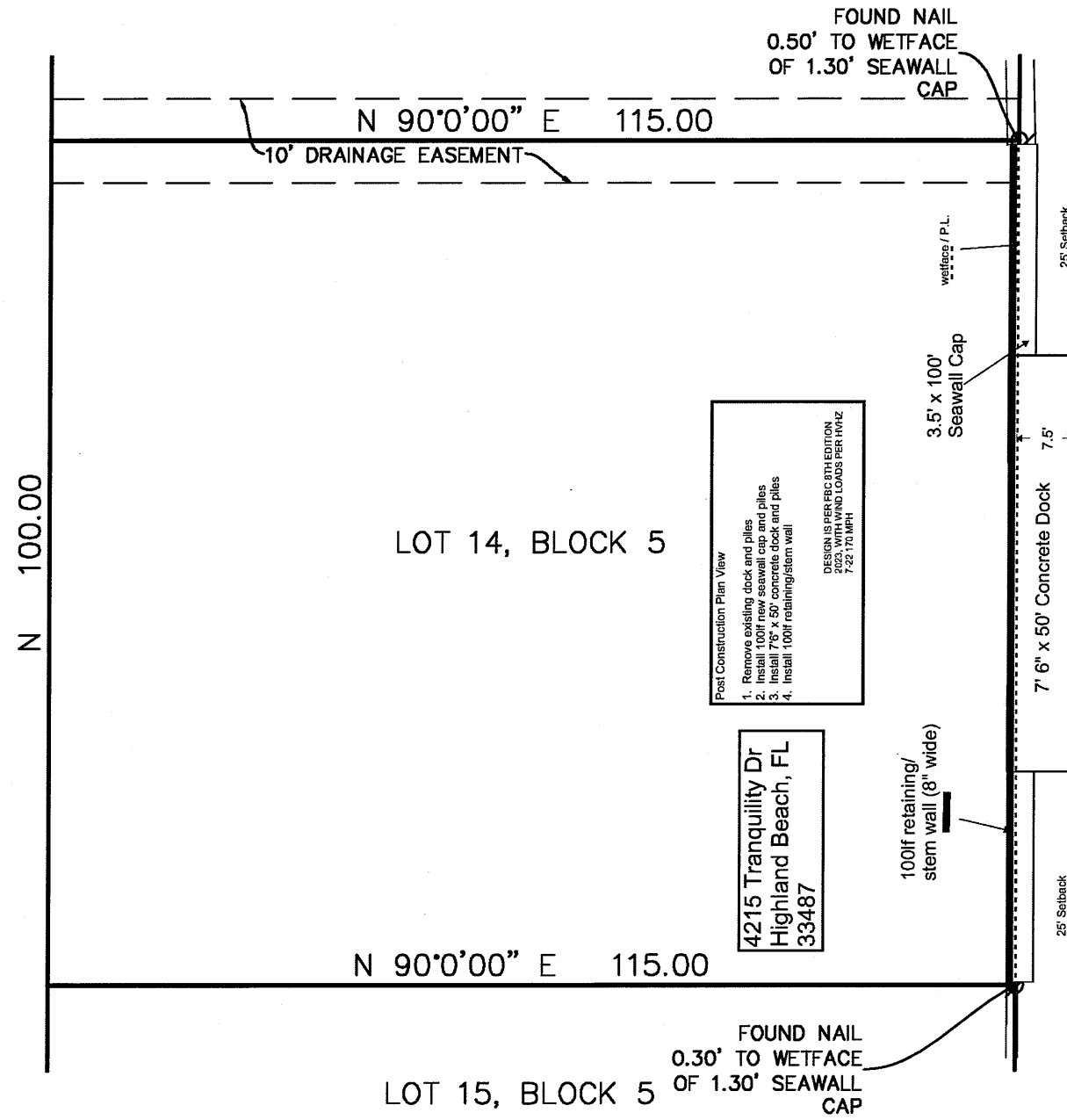


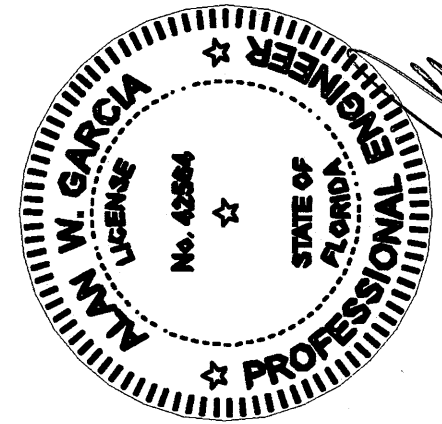
RECEIVED

FEB 21 2024

HIGHLAND BEACH  
BUILDING DEPARTMENT



CANAL  
100' RIGHT OF WAY



*Alan W. Garcia*

Alan W. Garcia, P.E.  
Fla. Reg. #42564

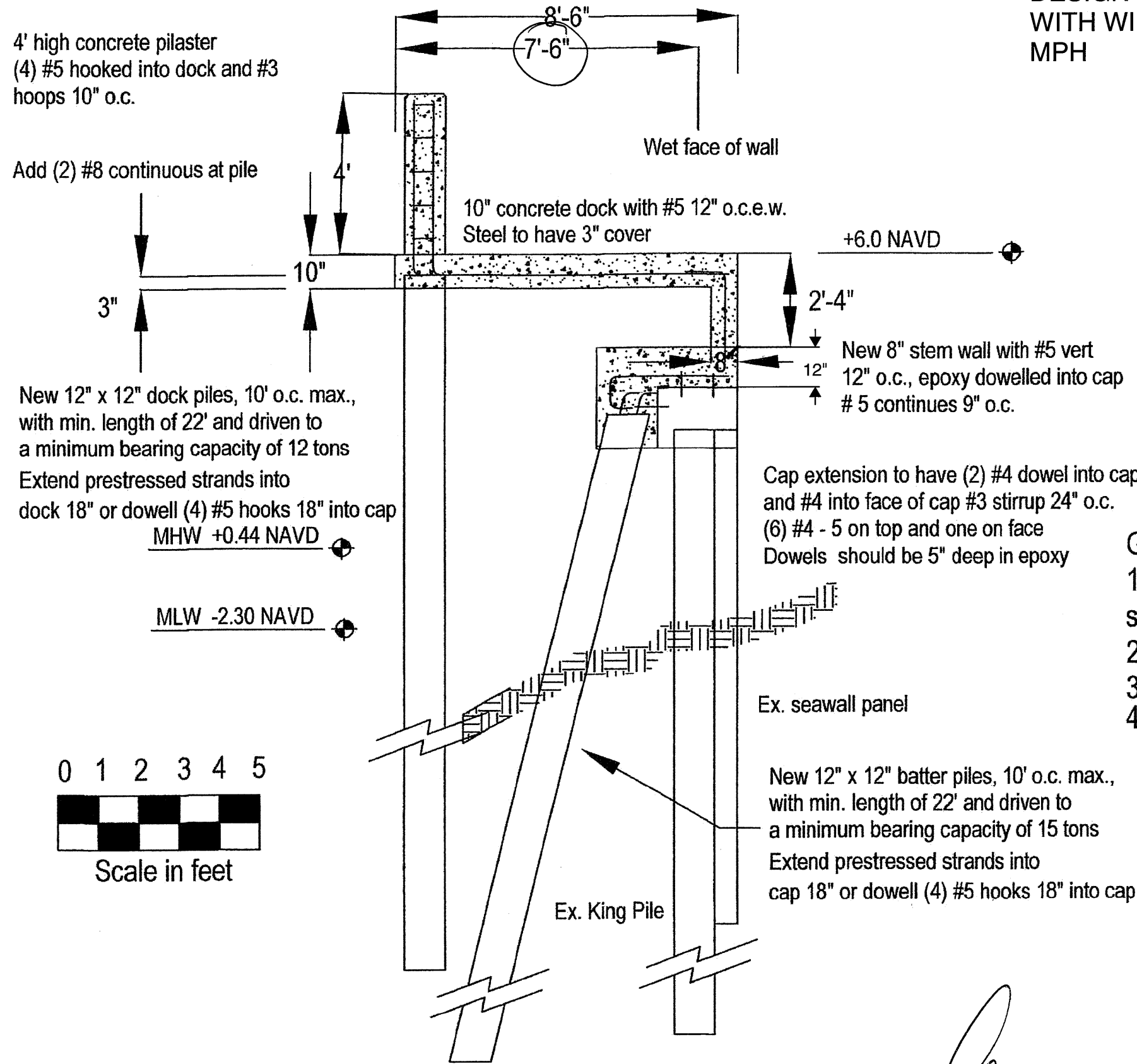


DESIGN IS PER FBC 8TH EDITION 2023,  
WITH WIND LOADS PER HVHZ 7-22 170  
MPH

RECEIVED

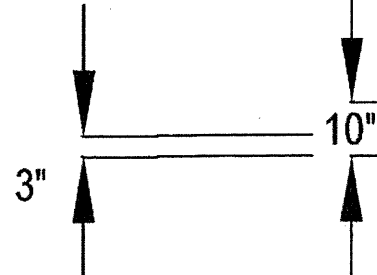
FEB 21 2024

HIGHLAND BEACH  
BUILDING DEPARTMENT



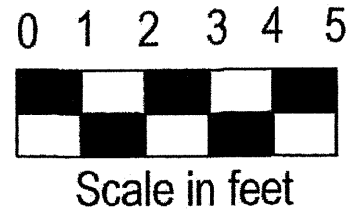
4' high concrete pilaster  
(4) #5 hooked into dock and #3  
hoops 10" o.c.

Add (2) #8 continuous at pile



New 12" x 12" dock piles, 10' o.c. max.,  
with min. length of 22' and driven to  
a minimum bearing capacity of 12 tons  
Extend prestressed strands into  
dock 18" or dowell (4) #5 hooks 18" into cap  
MHW +0.44 NAVD

MLW -2.30 NAVD



Concrete Seawall Section

*Alan W. Garcia*  
Alan W. Garcia, P.E.  
Fla. Reg. #42564

General Notes:

1. All concrete to be 5000 psi, 28 day comp. strength.
2. All steel rebar to be Grade 60.
3. Concrete shall be properly cured.
4. Contractor to obtain utility clearance prior to pile driving. Call 1-800-432-4770.

Owner: Thai  
4215 Tranquility Dr

Contractor: Seatech Construction

Engineer: Alan W. Garcia, P.E.  
4202 NW 54th Street  
Coconut Creek, FL 33073

Seawall Cap Plan  
Sheet 1 of 1  
Design By: AWG Drawn By: AWG Checked By: AWG