

# TECHNICAL DRAWINGS CAMARGUE



This PDF offers all the Camargue technical drawings.

Click your way through the document

On the next page you will find an overview of all available drawings.

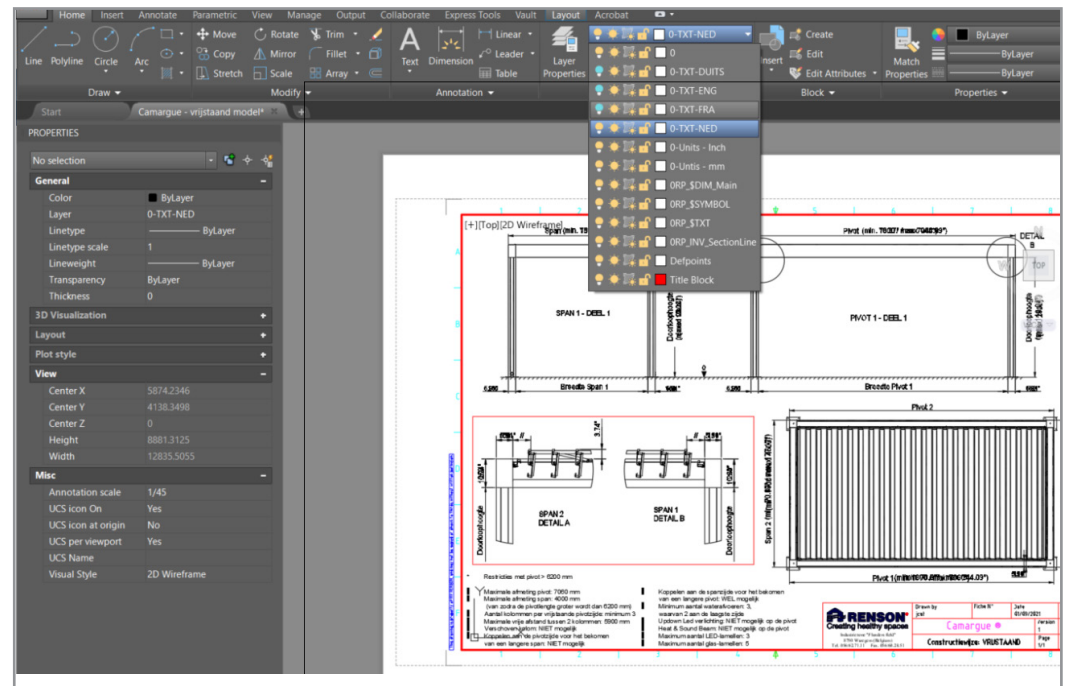
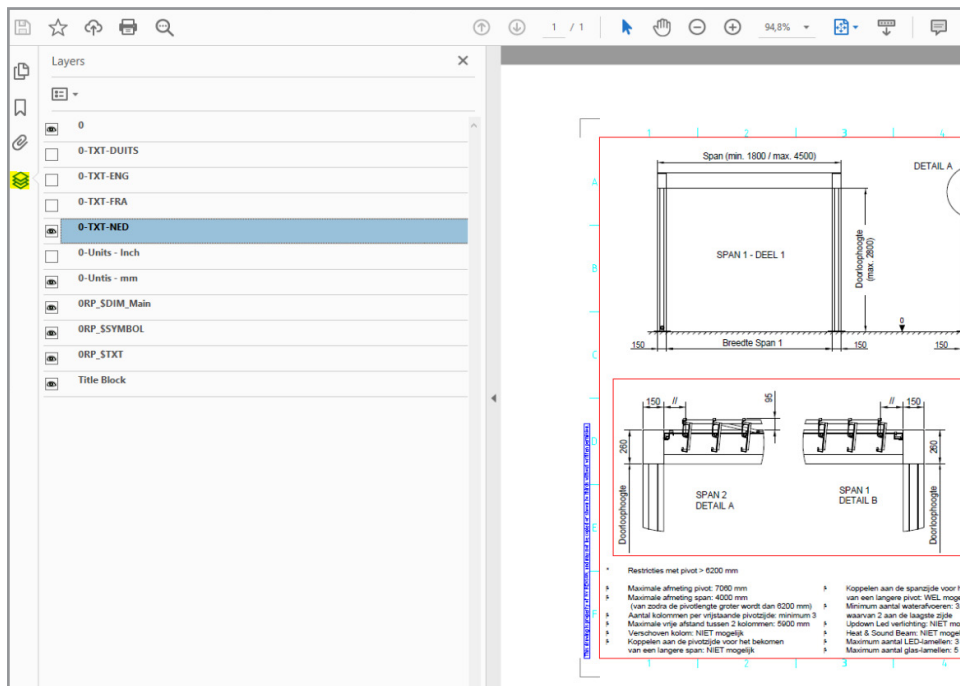
Click on the titles and you will be redirected to the correct page.

Click on the Renson logo to go back to the index page.

By clicking on the provided space you can easily download the PFD or DWG file.

## INSTRUCTION

How to turn on/off languages and dimension layers in PDF viewer and Autocad



# INDEX

## Construction

Freestanding

Façade mounting pivot

Façade mounting span

2 parts coupled at span and pivot side

3 parts coupled at span and pivot side

Wall mounting

Visible mounting base

Visible mounting base - corner

Invisible mounting base

Casted mounting base

Visible mounting base reinforced

Visible mounting base reinforced - corner

Invisible mounting base reinforced

Water drainage

Adjustable wall profile

## Accessories Camargue

Integrated Fixscreen - stand alone span

Integrated Fixscreen - stand alone pivot

Integrated Fixscreen - facade mounting span

Integrated Fixscreen - facade mounting pivot

Loggia modular sliding panels stand alone with 2 rails

Loggia modular sliding panels façade mounting with 3 rails

Glass sliding panels - facade mounting with 3 tracks opening left & right

Glass sliding panels - stand alone with 4 tracks opening from the middle

Linus wall - double sided

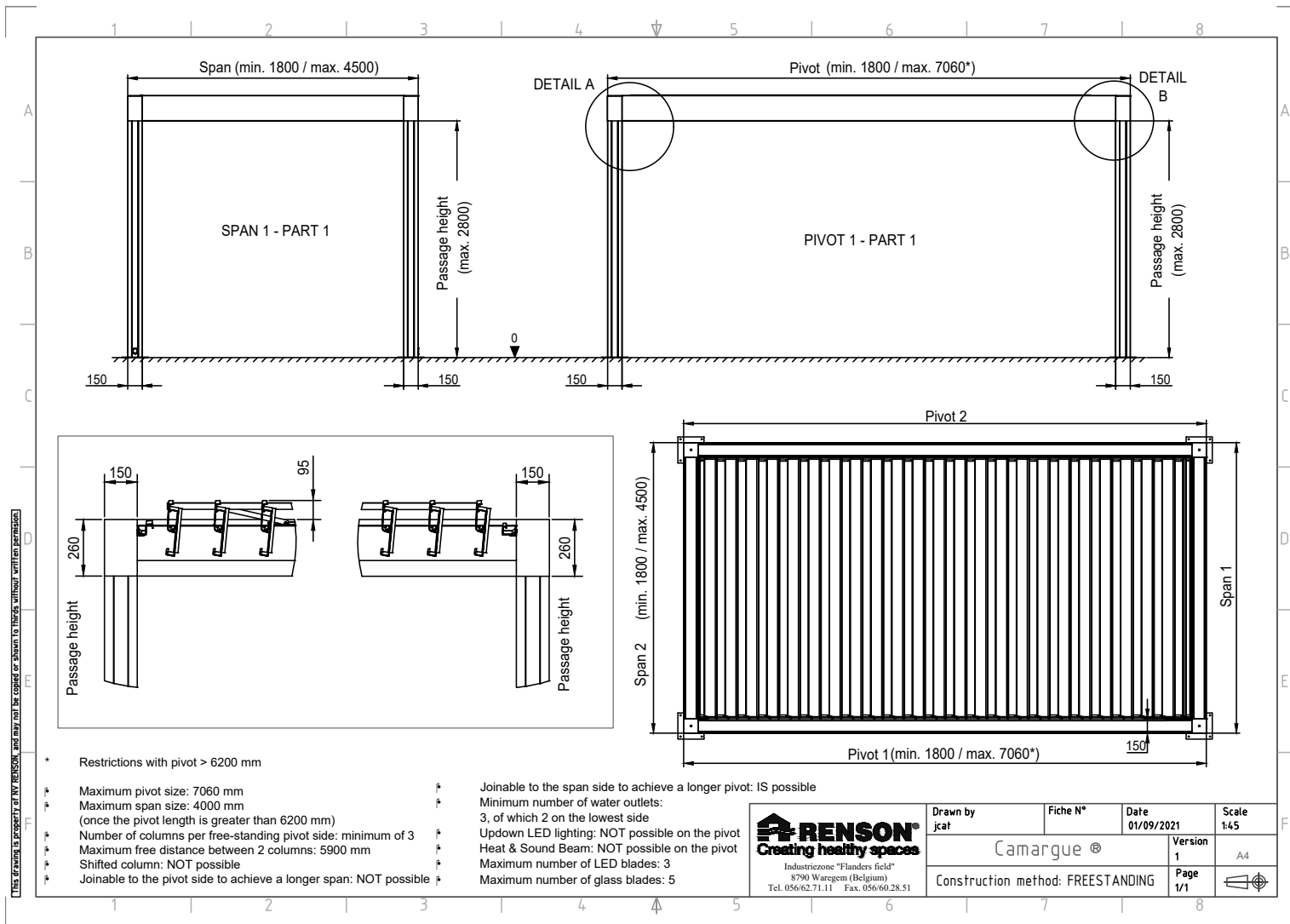
Linus wall - single sided

Linus wall - double sided as railing

Linarte wall - Linarte/Canvas

Linarte wall - Linarte/without finish

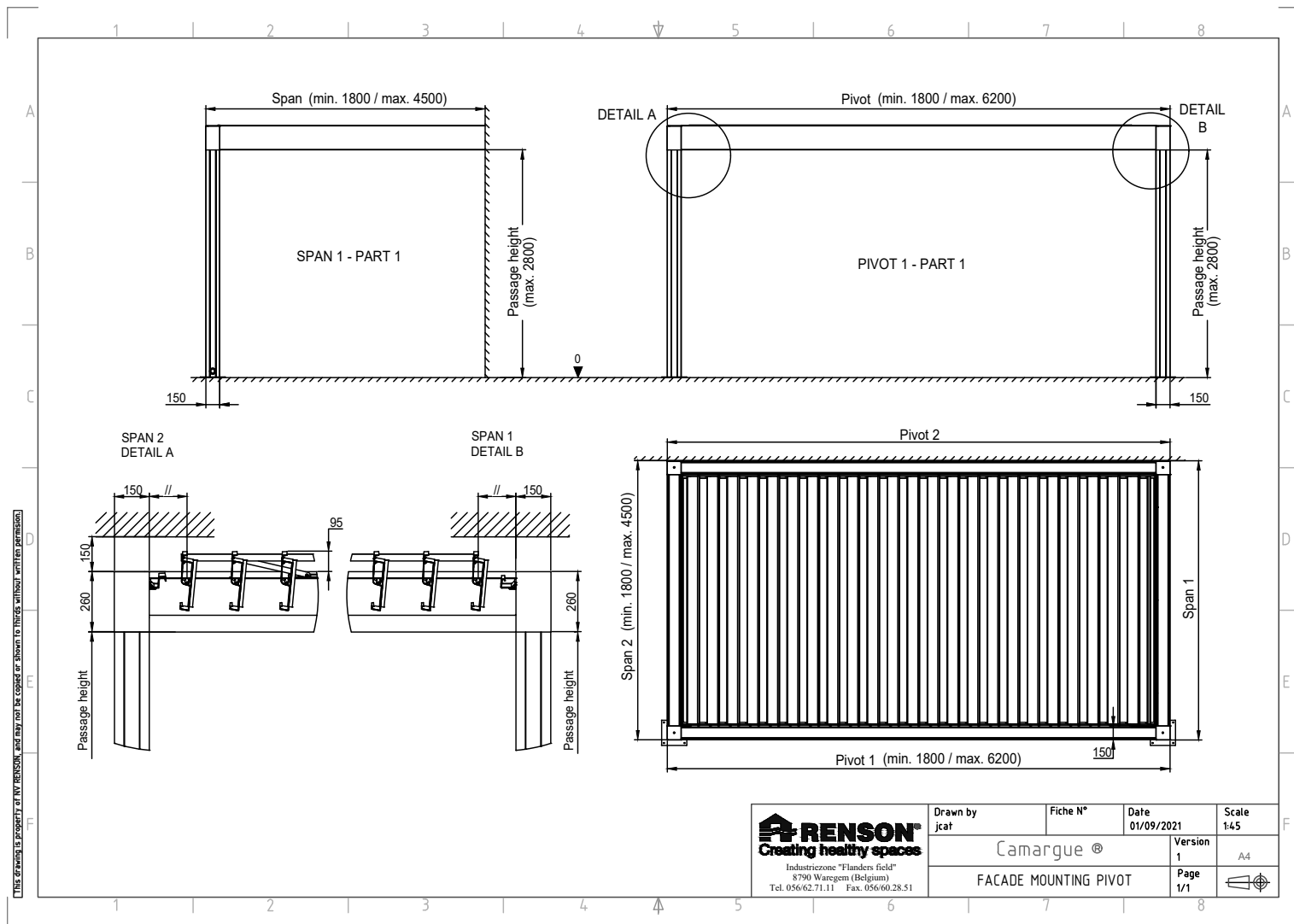
# Camargue - FREESTANDING



Download this drawing DWG

Download this drawing PDF

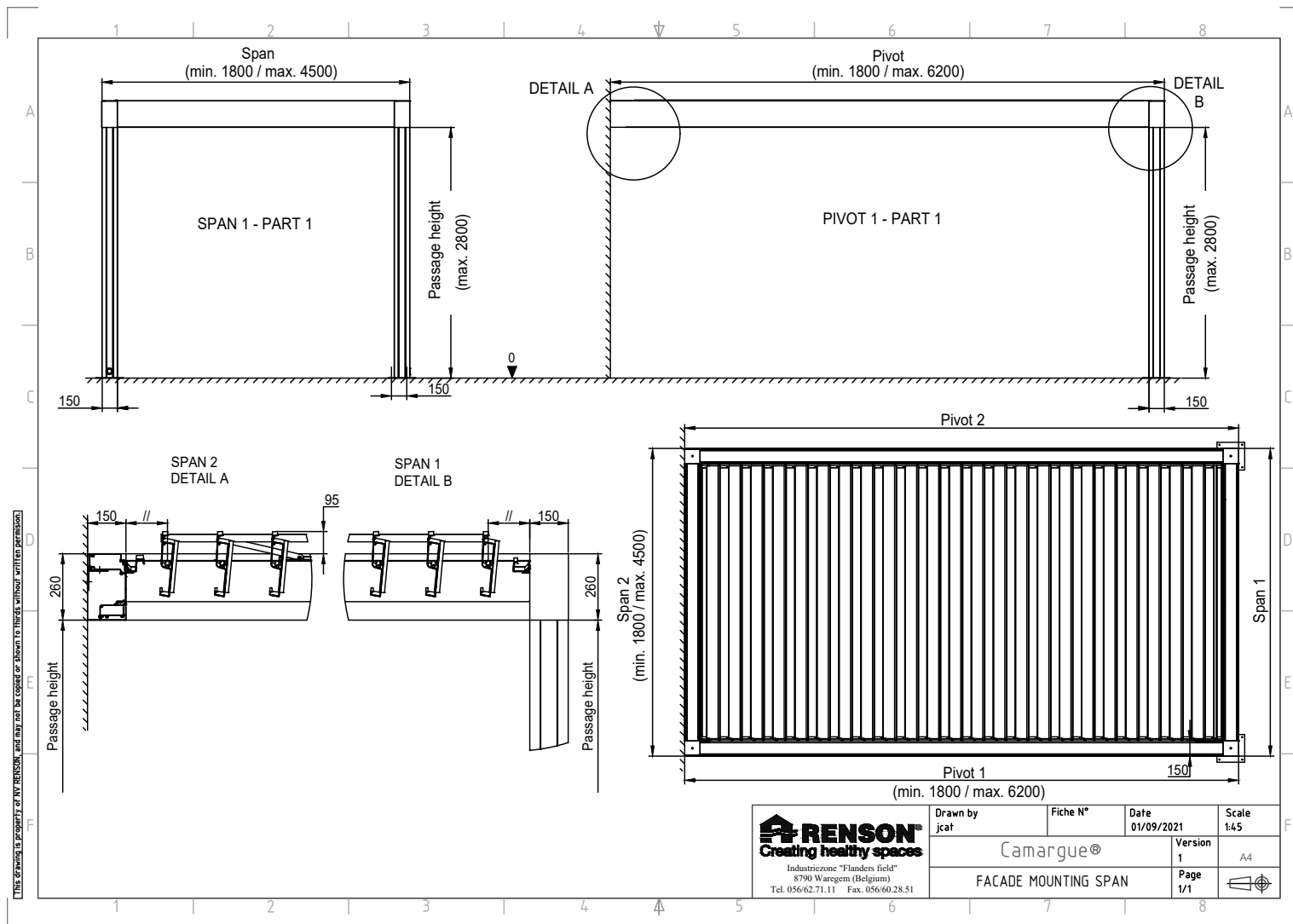
# Camargue - FAÇADE MOUNTING PIVOT



Download this drawing DWG

Download this drawing PDF

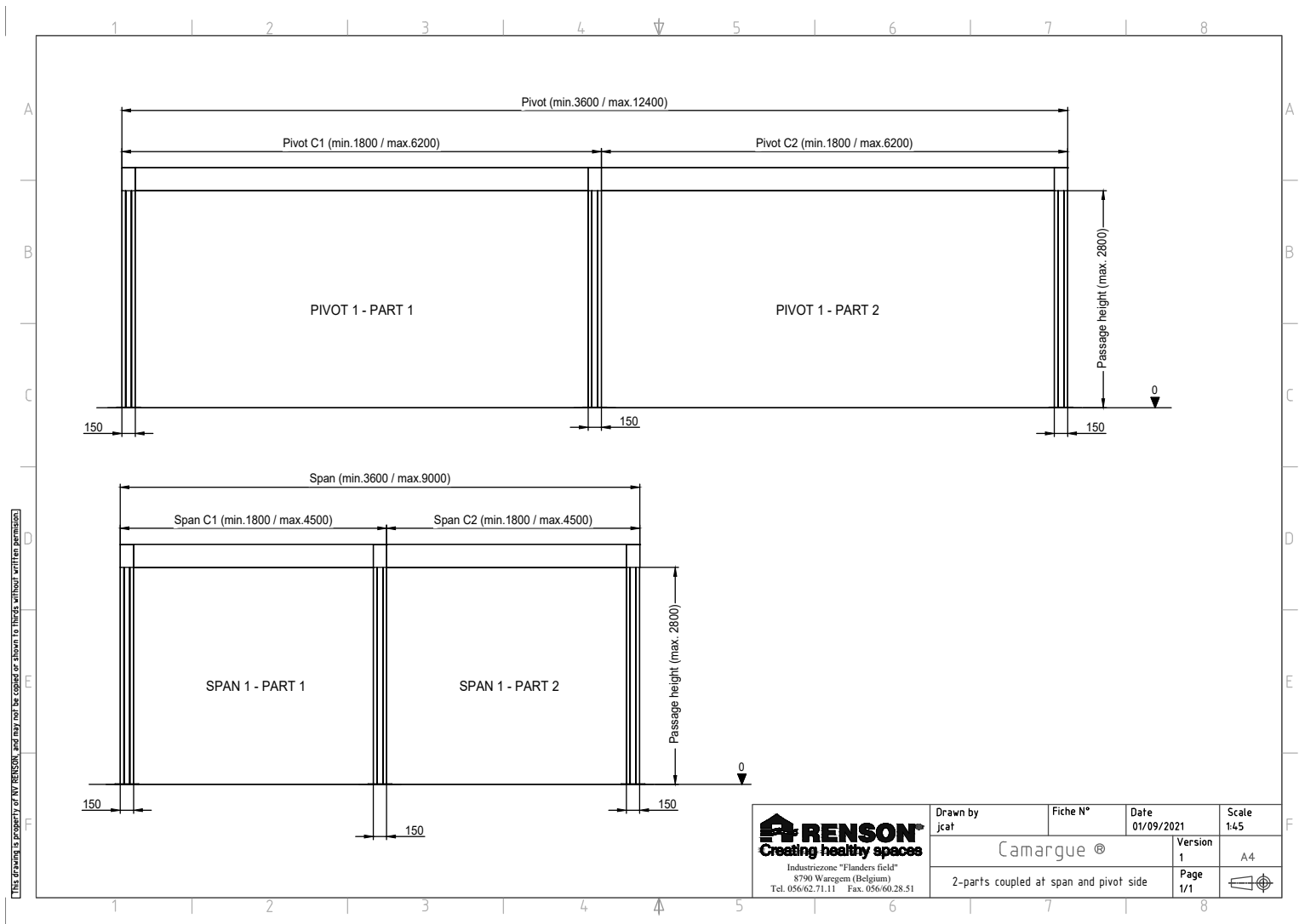
# Camargue - FAÇADE MOUNTING SPAN



Download this drawing DWG

Download this drawing PDF

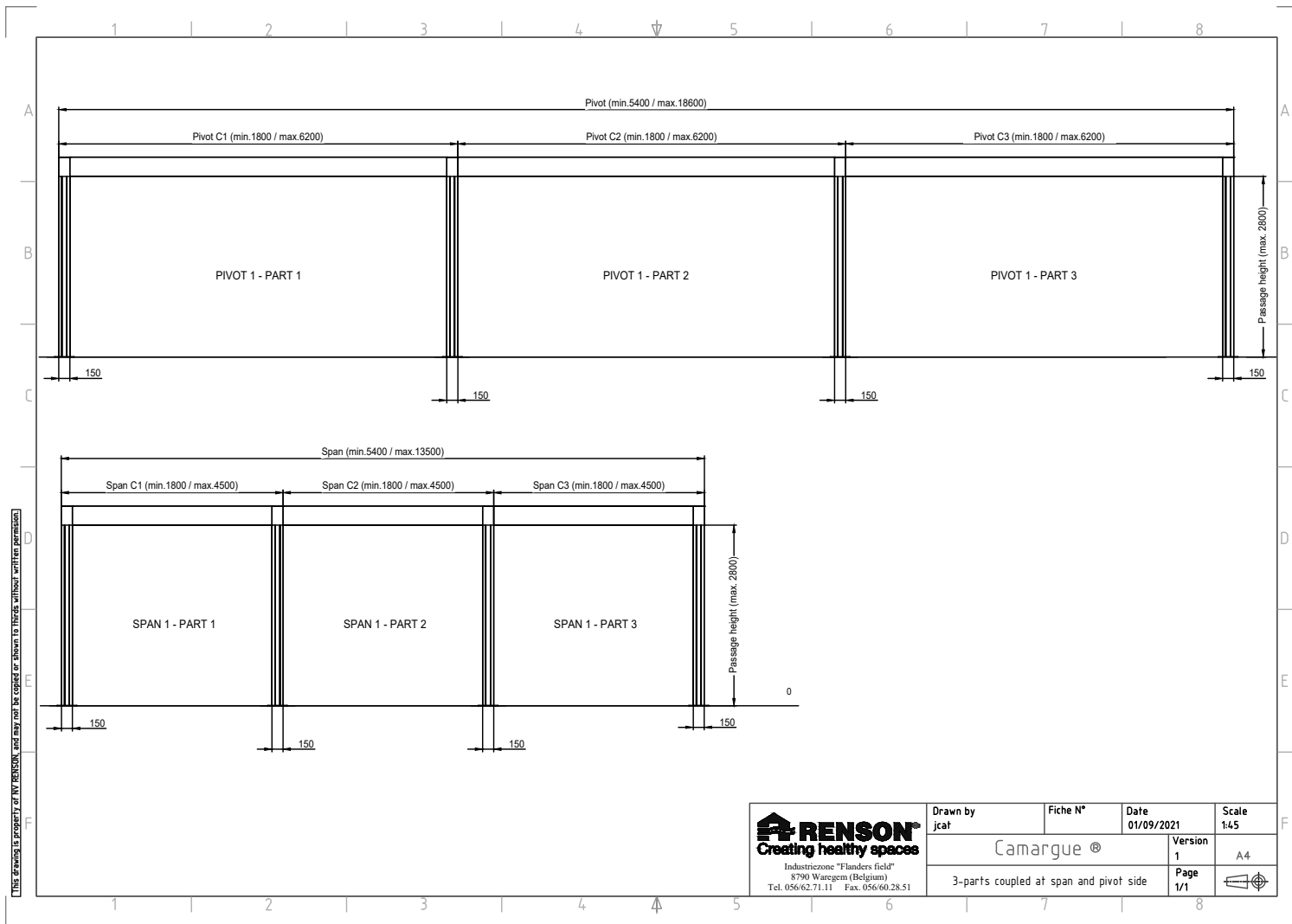
# Camargue - 2 PARTS COUPLED AT SPAN AND PIVOT SIDE



Download this drawing DWG

Download this drawing PDF

# Camargue - 3 PARTS COUPLED AT SPAN AND PIVOT SIDE



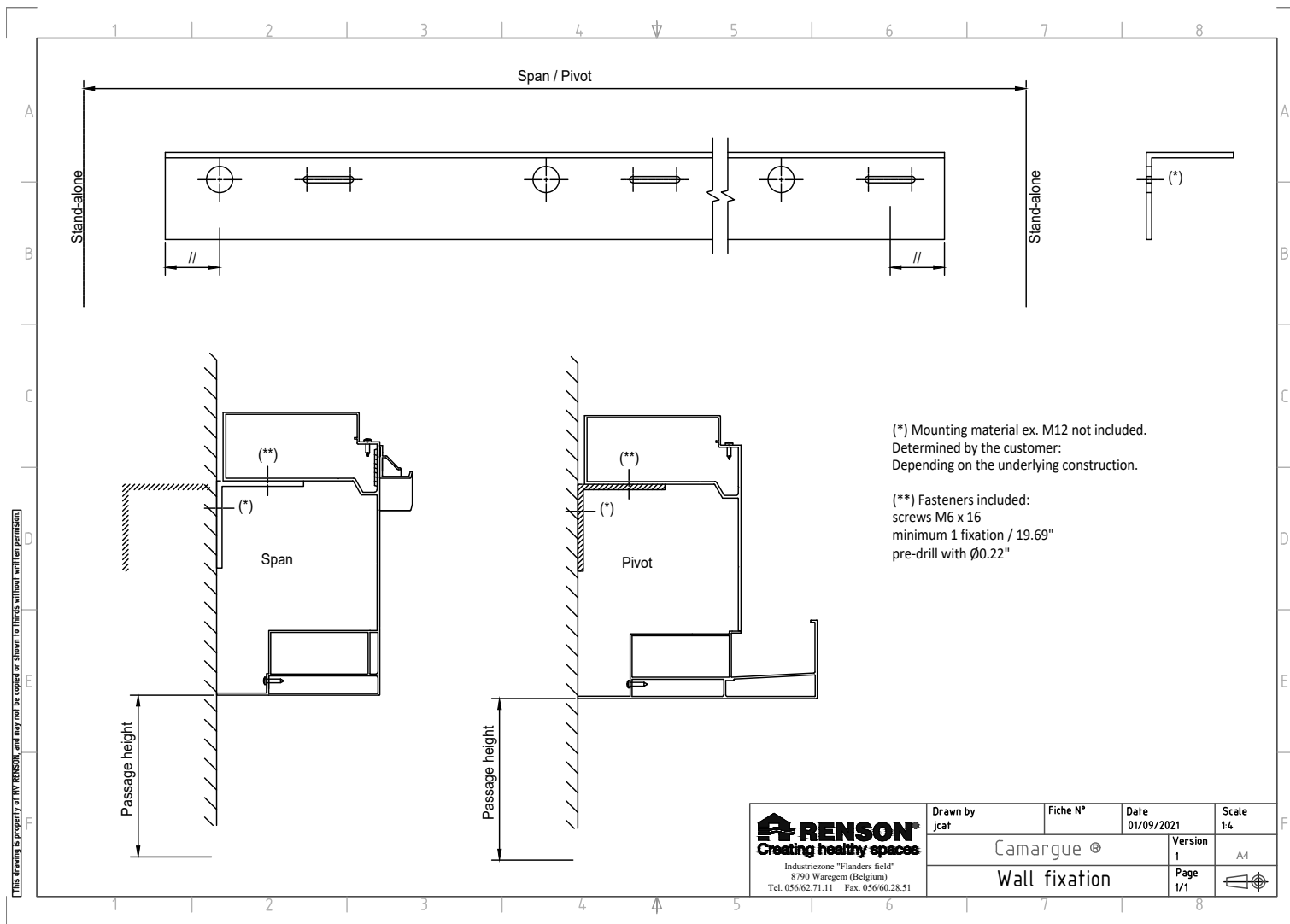
This drawing is property of RY RENSON and may not be copied or shown to third without written permission.

Download this drawing DWG

Download this drawing PDF



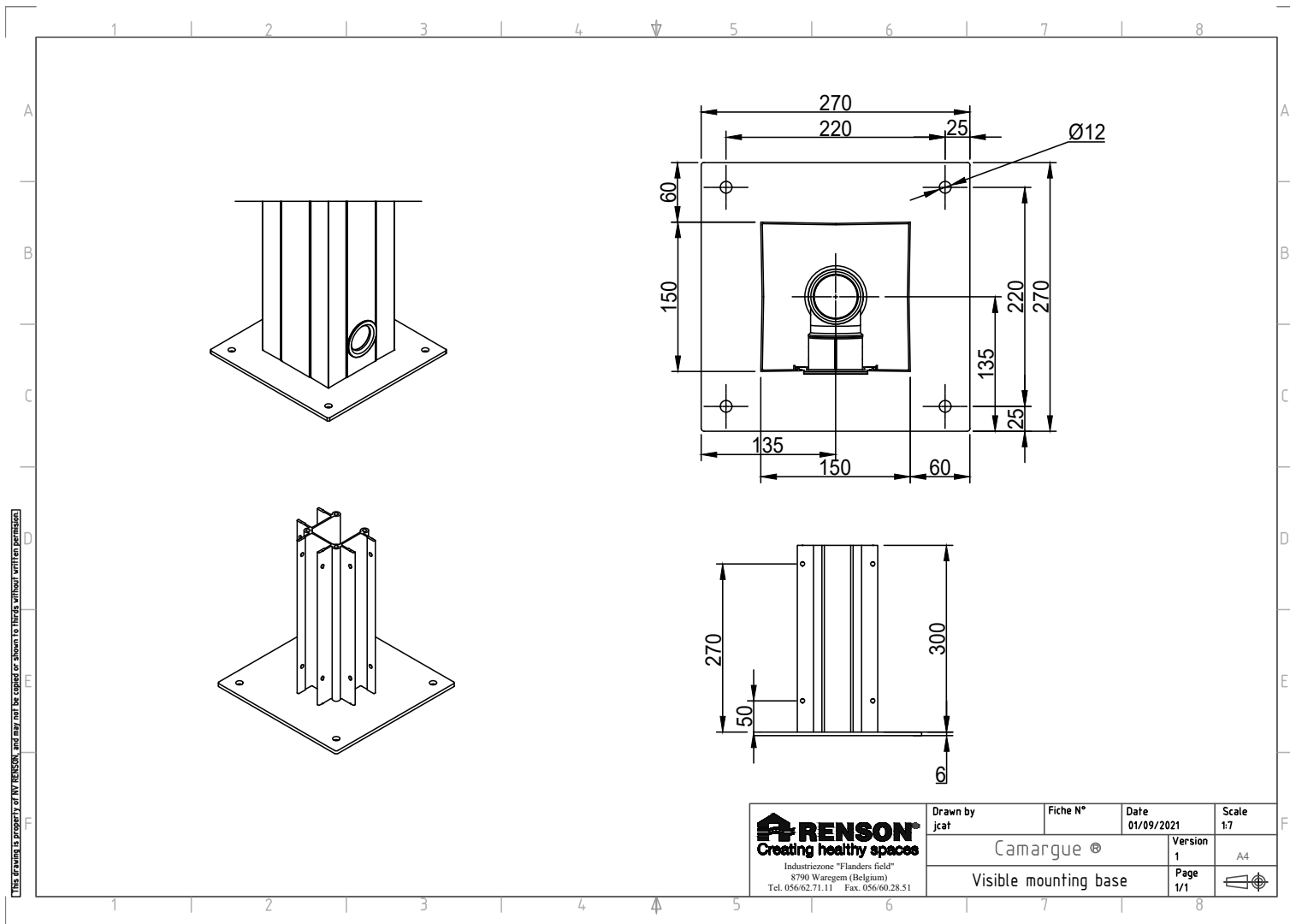
# Camargue - WALL FIXATION





Download this drawing DWG

Download this drawing PDF

# Camargue - VISIBLE MOUNTING BASE



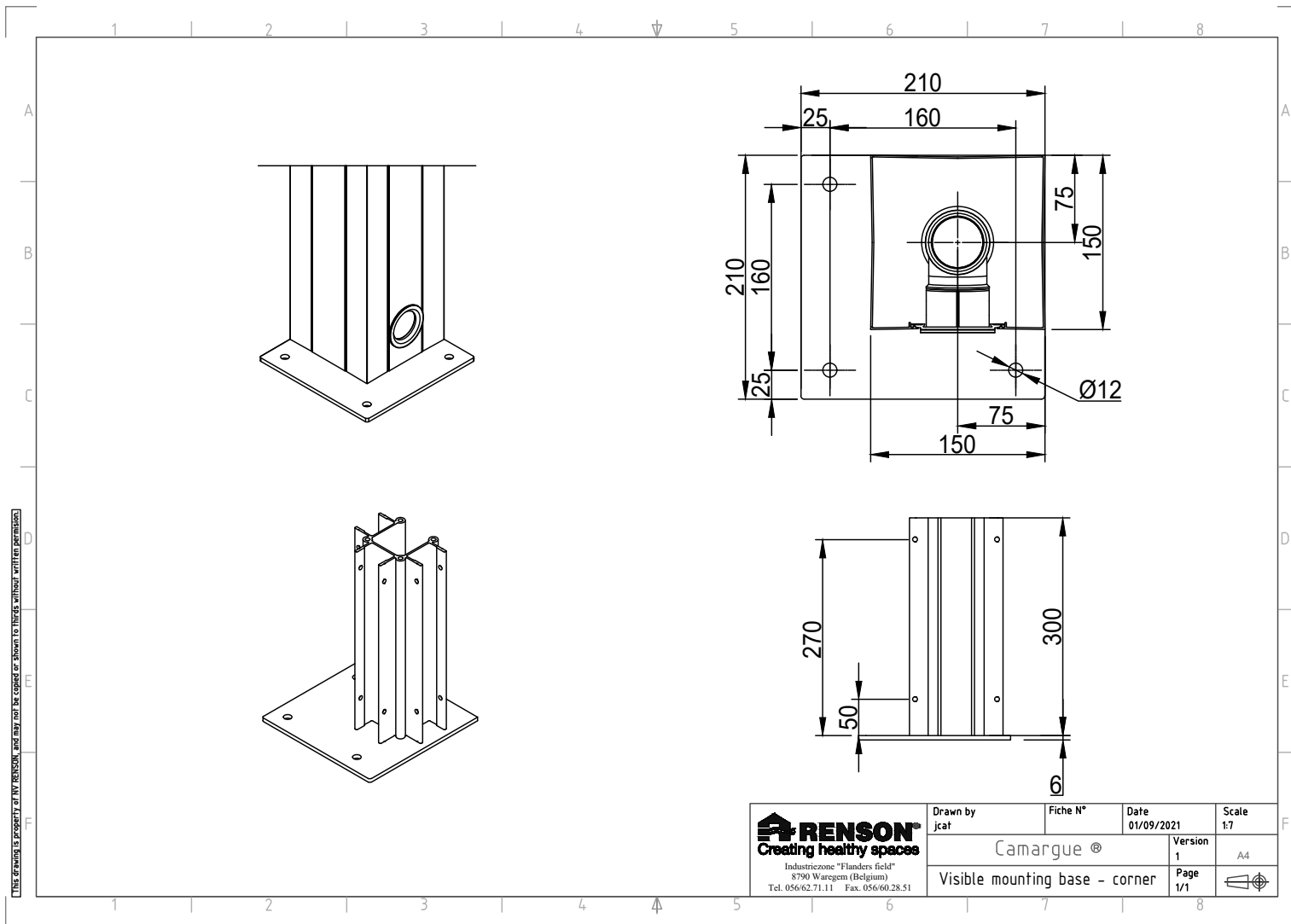
This drawing is property of NV RENSON and may not be copied or shown to third without written permission.

 <b>RENSON</b> Creating healthy spaces Industriezone "Flanders field" 8790 Waregem (Belgium) Tel. 056/62.71.11 - Fax. 056/60.28.51	Drawn by jcat	Fiche N°	Date 01/09/2021	Scale 1:7	
	Camargue®			Version 1	A4
	Visible mounting base			Page 1/1	

Download this drawing DWG

Download this drawing PDF

# Camargue - VISIBLE MOUNTING BASE CORNER



THIS DRAWING IS PROPERTY OF NV RENSON and may not be copied or shown to third parties without written permission.

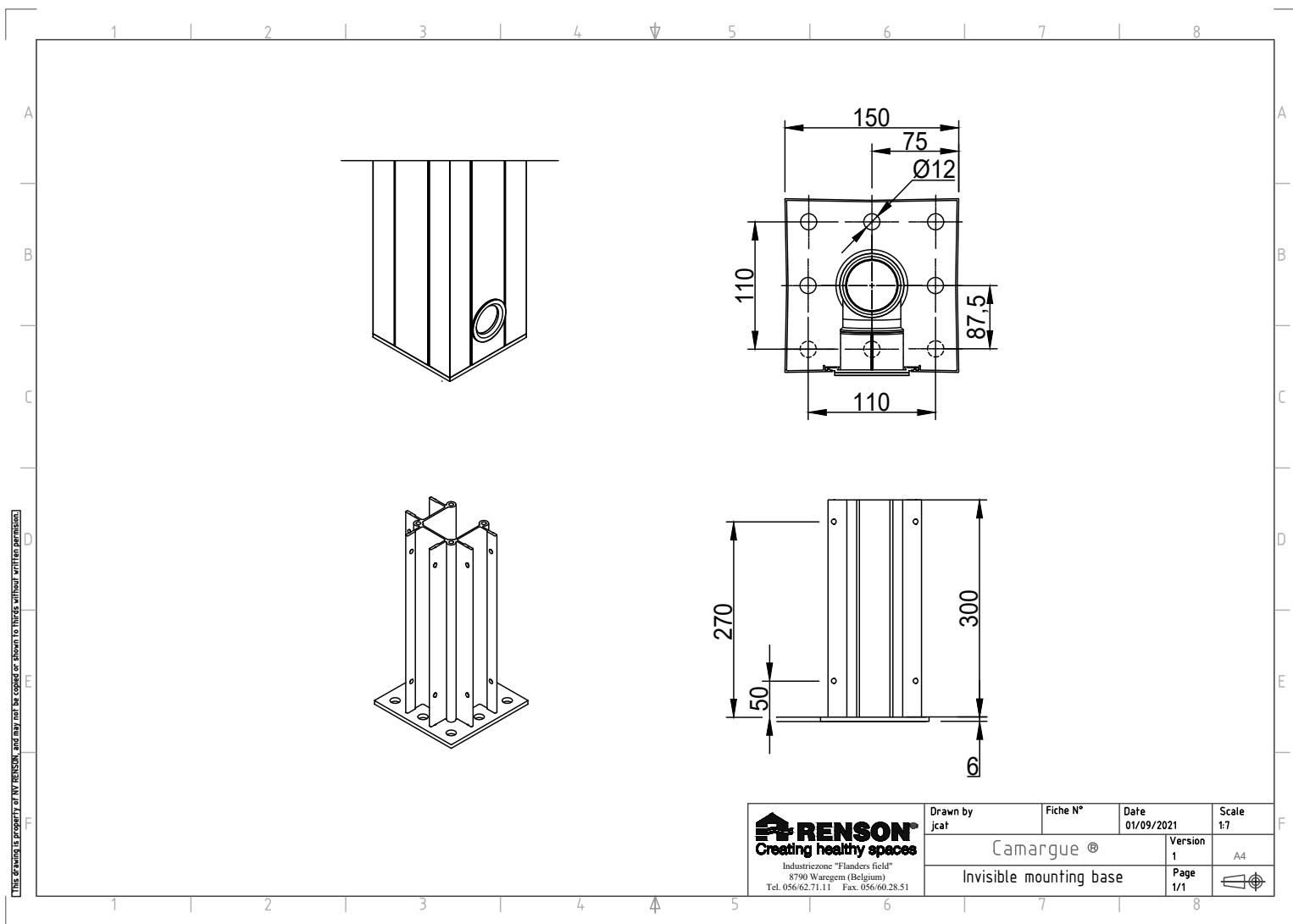
**RENSON**  
Creating healthy spaces  
Industriezone "Flanders field"  
8790 Waregem (Belgium)  
Tel. 056/62.71.11 Fax. 056/60.28.51

Drawn by jcat	Fiche N°	Date 01/09/2021	Scale 1:7
Camargue®		Version 1	A4
Visible mounting base - corner		Page 1/1	



Download this  
drawing DWG

Download this  
drawing PDF

# Camargue - INVISIBLE MOUNTING BASE



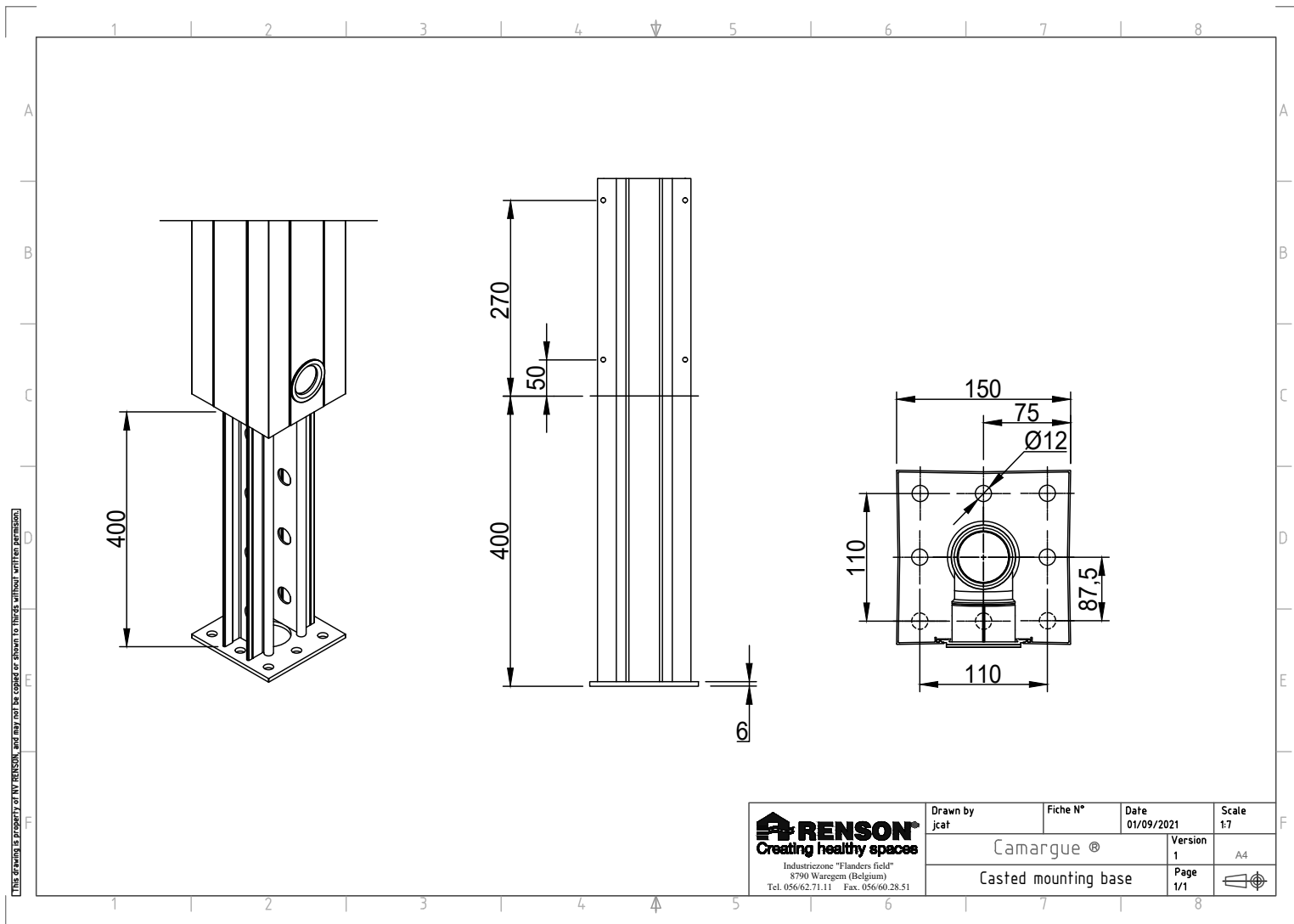
This drawing is property of RY RENSON and may not be copied or shown to third without written permission.

 <b>RENSON</b> Creating healthy spaces Industriezone "Flanders field" 8790 Waregem (Belgium) Tel. 056/62.71.11 Fax. 056/60.28.51	Drawn by jcat	Fiche N°	Date 01/09/2021	Scale 1:7	
	Camargue ©			Version 1	A4
Invisible mounting base				Page 1/1	


Download this drawing DWG

Download this drawing PDF

# Camargue - CASTED MOUNTING BASE



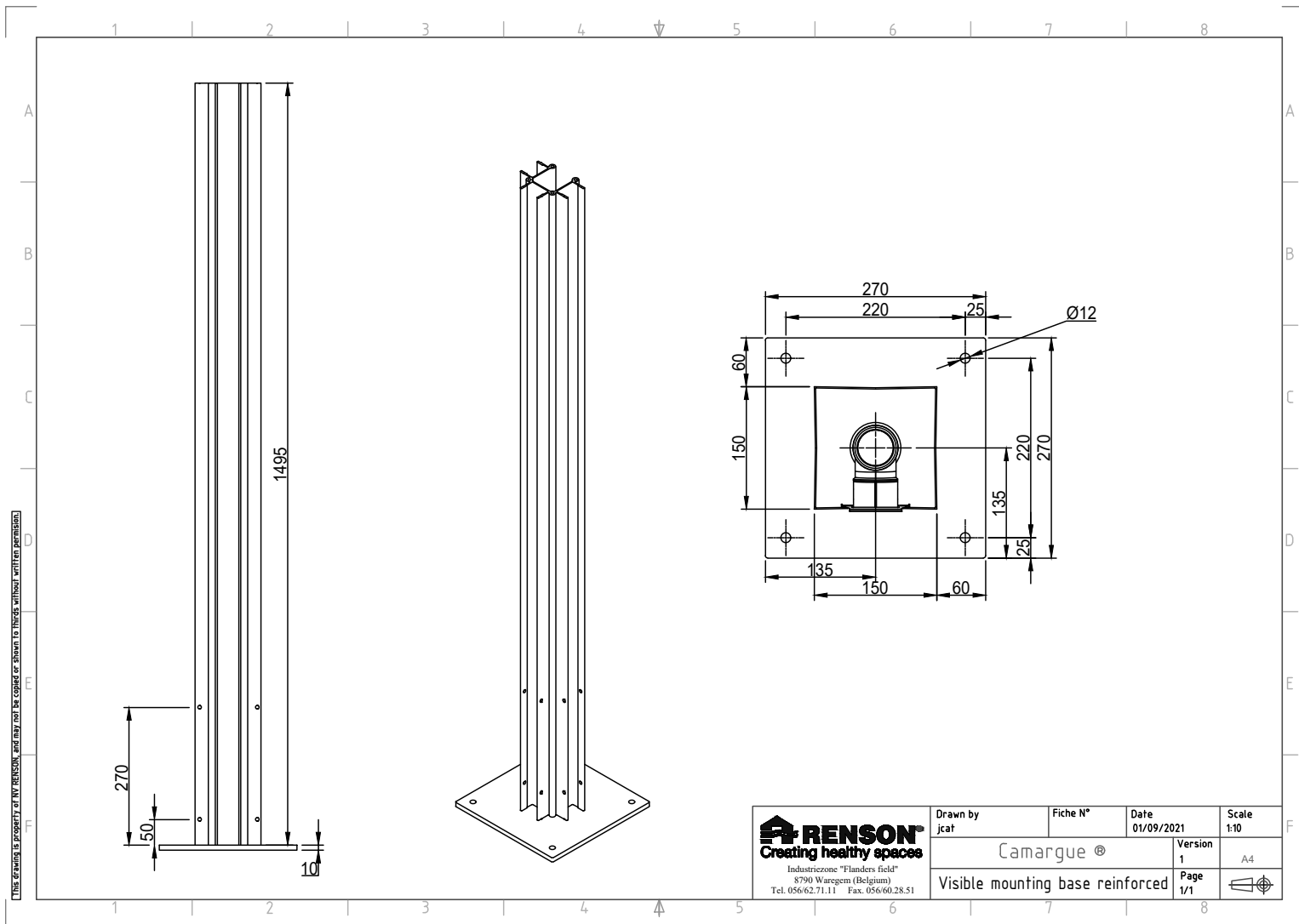
This drawing is property of RY RENSON and may not be copied or shown to third parties without written permission.

 <b>RENSON</b> Creating healthy spaces Industriezone "Flanders field" 8790 Waregem (Belgium) Tel. 056/62.71.11 Fax. 056/60.28.51	Drawn by jcat	Fiche N°	Date 01/09/2021	Scale 1:7
	Camargue ©			Version 1
	Casted mounting base			Page 1/1

Download this drawing DWG

Download this drawing PDF

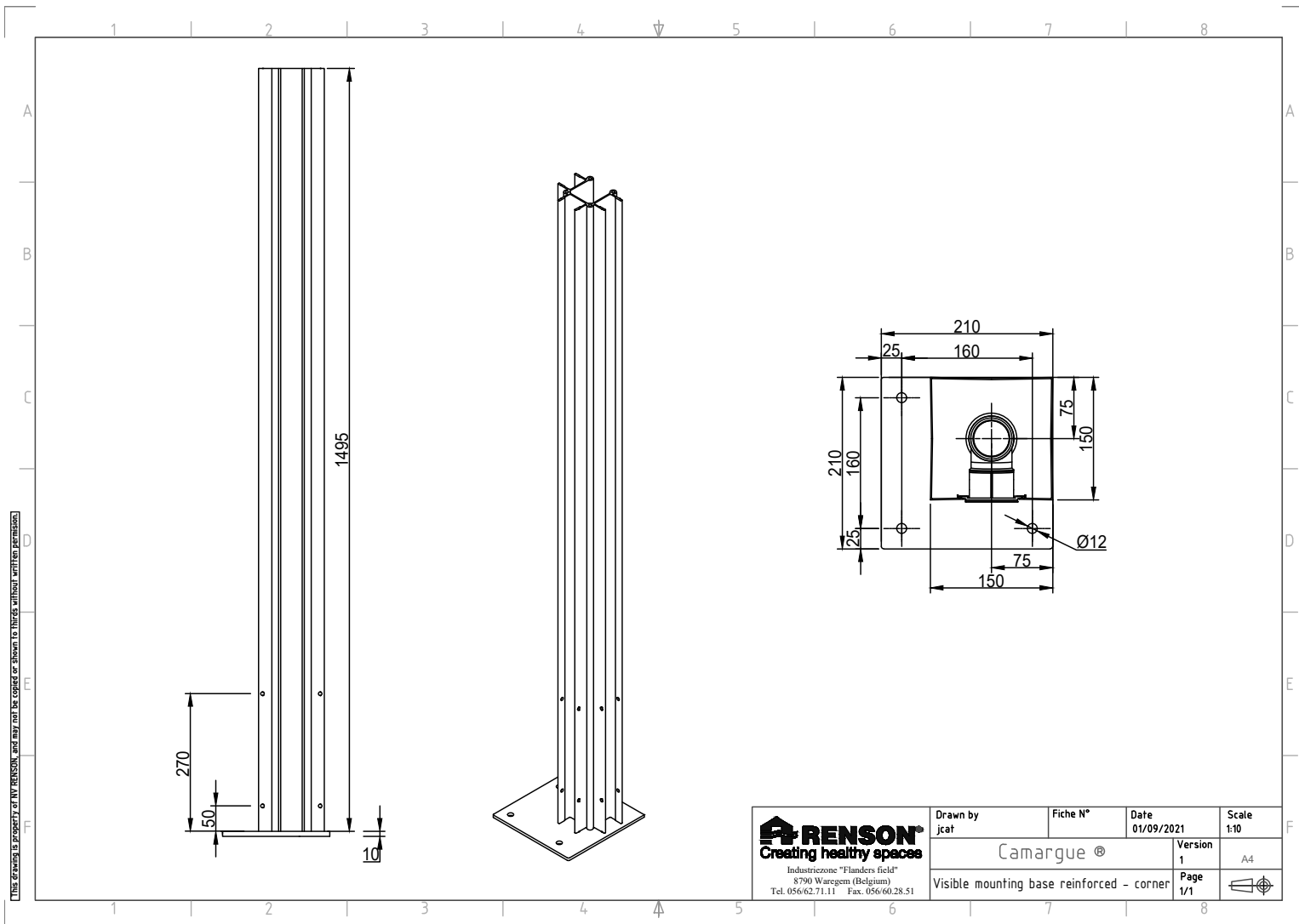
# Camargue - VISIBLE REINFORCED MOUNTING BASE



Download this  
drawing DWG

Download this  
drawing PDF

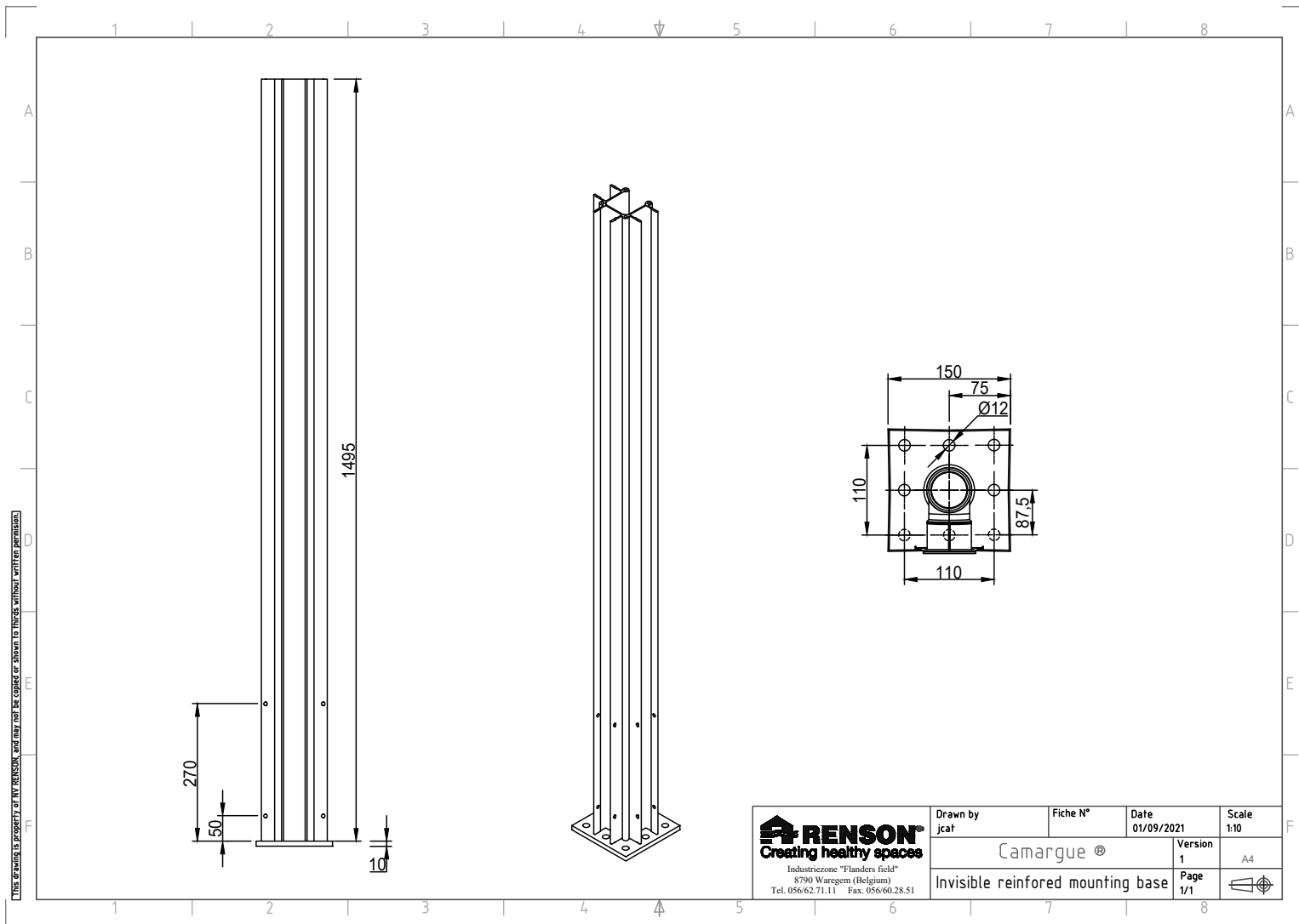
# Camargue - VISIBLE REINFORCED MOUNTING BASE - CORNER



Download this drawing DWG

Download this drawing PDF

# Camargue - INVISIBLE REINFORCED MOUNTING BASE



This drawing is property of NV RENSON and may not be copied or shown to third parties without written permission.

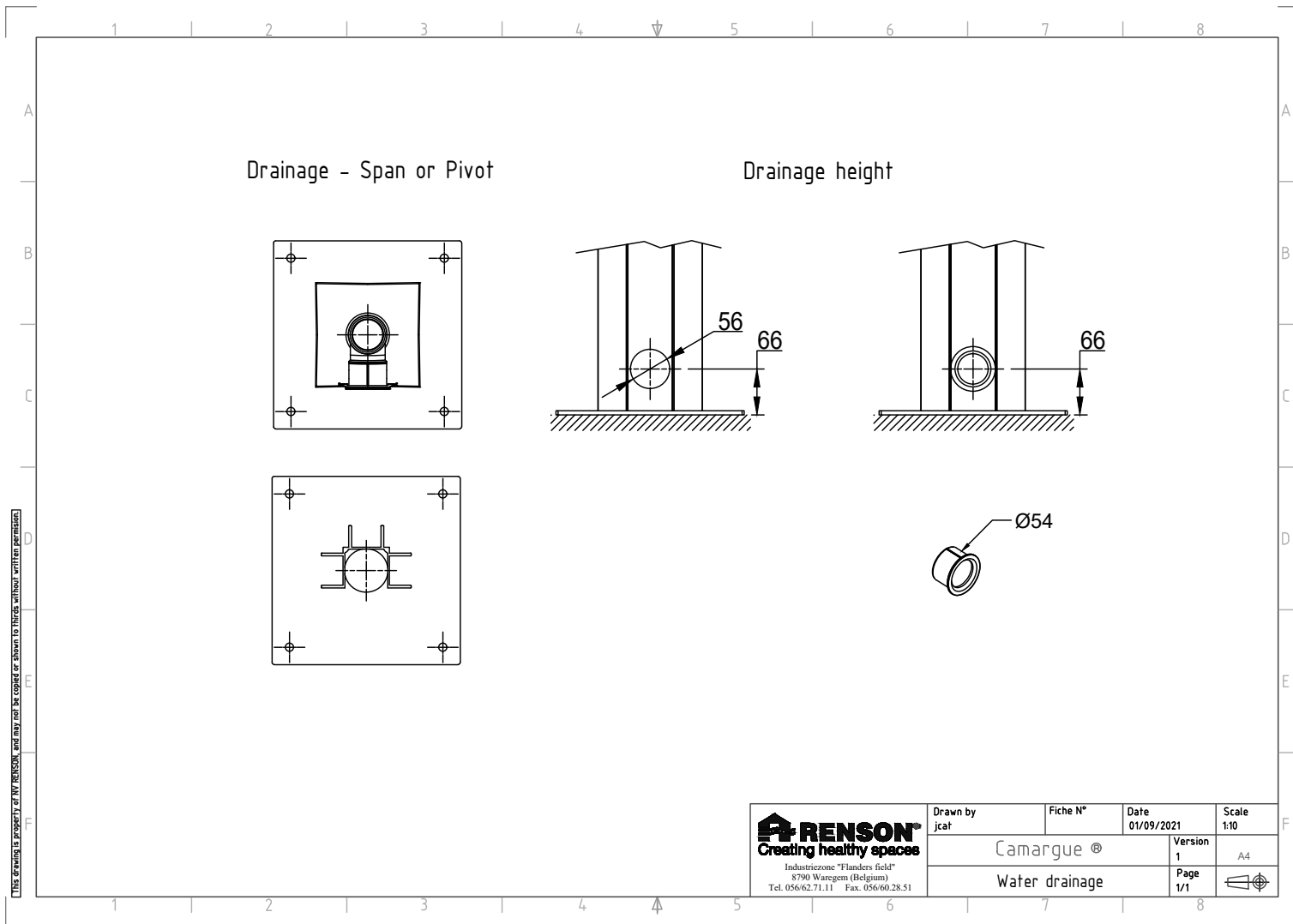
 <b>RENSON</b> Creating healthy spaces Industriezone "Flinders field" 8790 Waregem (Belgium) Tel. 056/62.71.11 Fax. 056/60.28.51	Drawn by jcat	Fiche N°	Date 01/09/2021	Scale 1:10	
	Camargue ®			Version 1	A4
Invisible reinforced mounting base				Page 1/1	

Download this drawing DWG

Download this drawing PDF



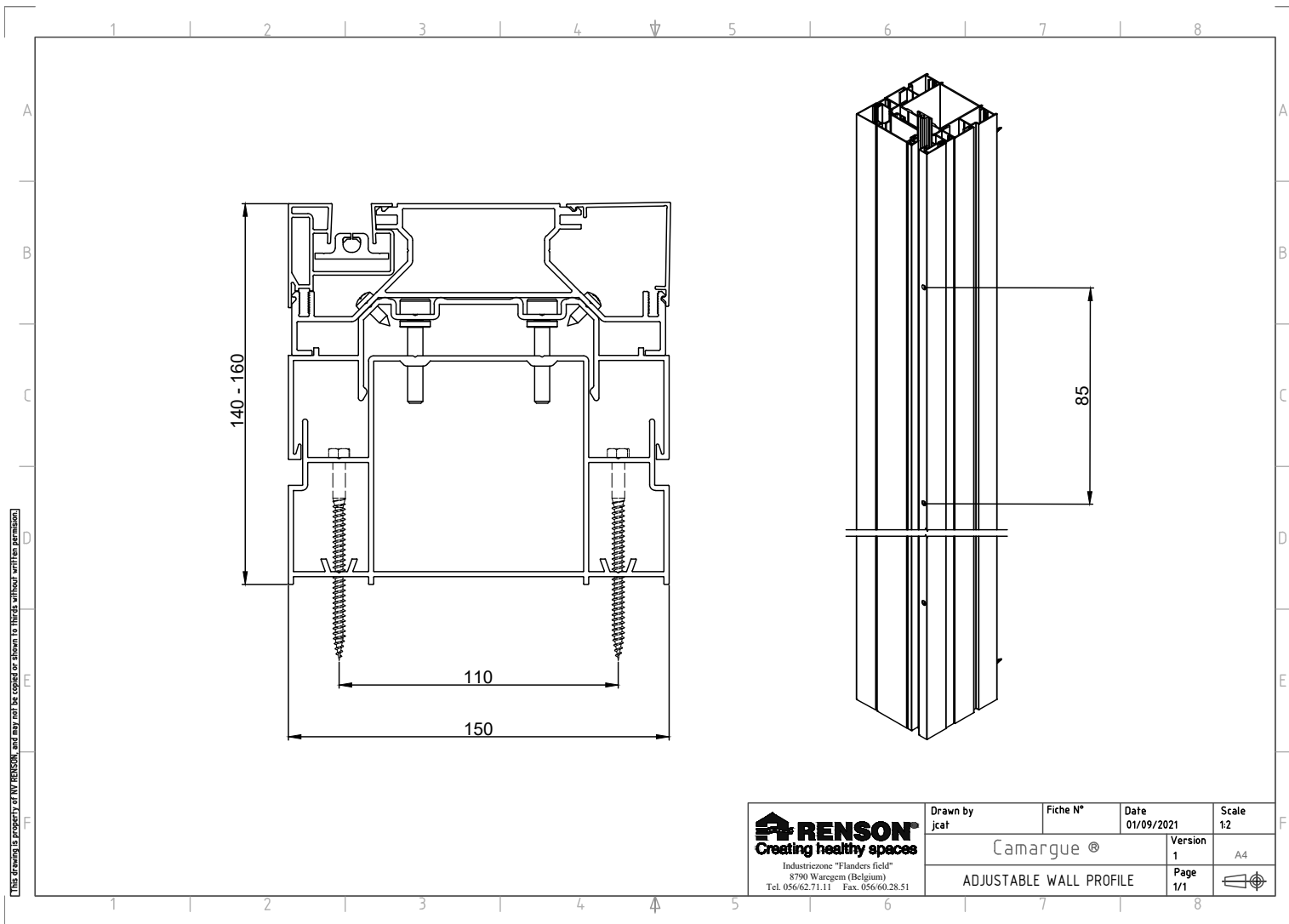
# Camargue - WATER DRAINAGE




Download this drawing DWG

Download this drawing PDF

# Camargue - ADJUSTABLE WALL PROFILE



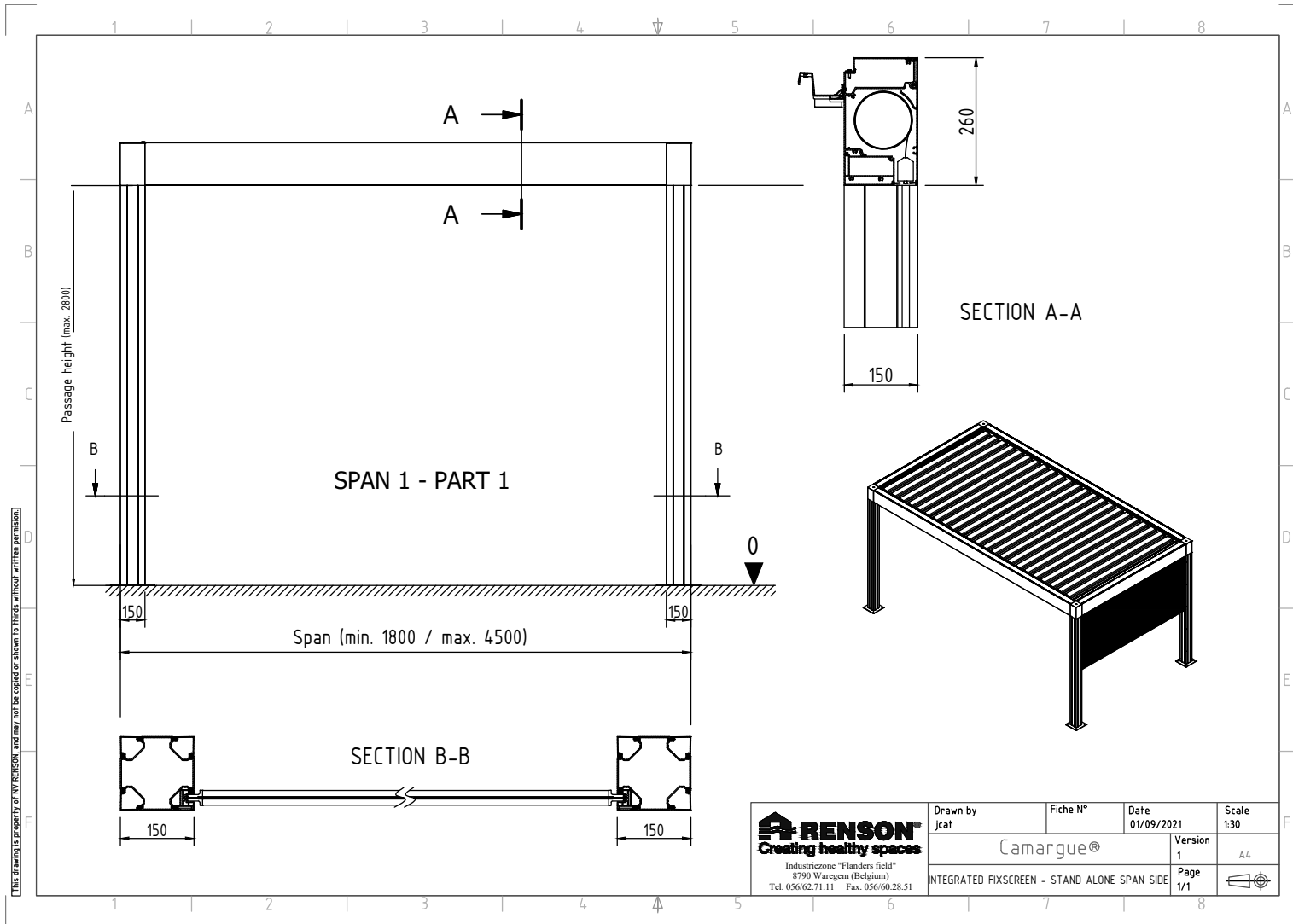
This drawing is property of RY RENSON, and may not be copied or shown to third without written permission.

 <b>RENSON</b> Creating healthy spaces Industriezone "Flanders field" 8790 Waregem (Belgium) Tel. 056/62.71.11 Fax. 056/60.28.51	Drawn by	Fiche N°	Date	Scale
	jcat		01/09/2021	1:2
	Camargue ®			Version
ADJUSTABLE WALL PROFILE			Page	1/1

Download this drawing DWG

Download this drawing PDF

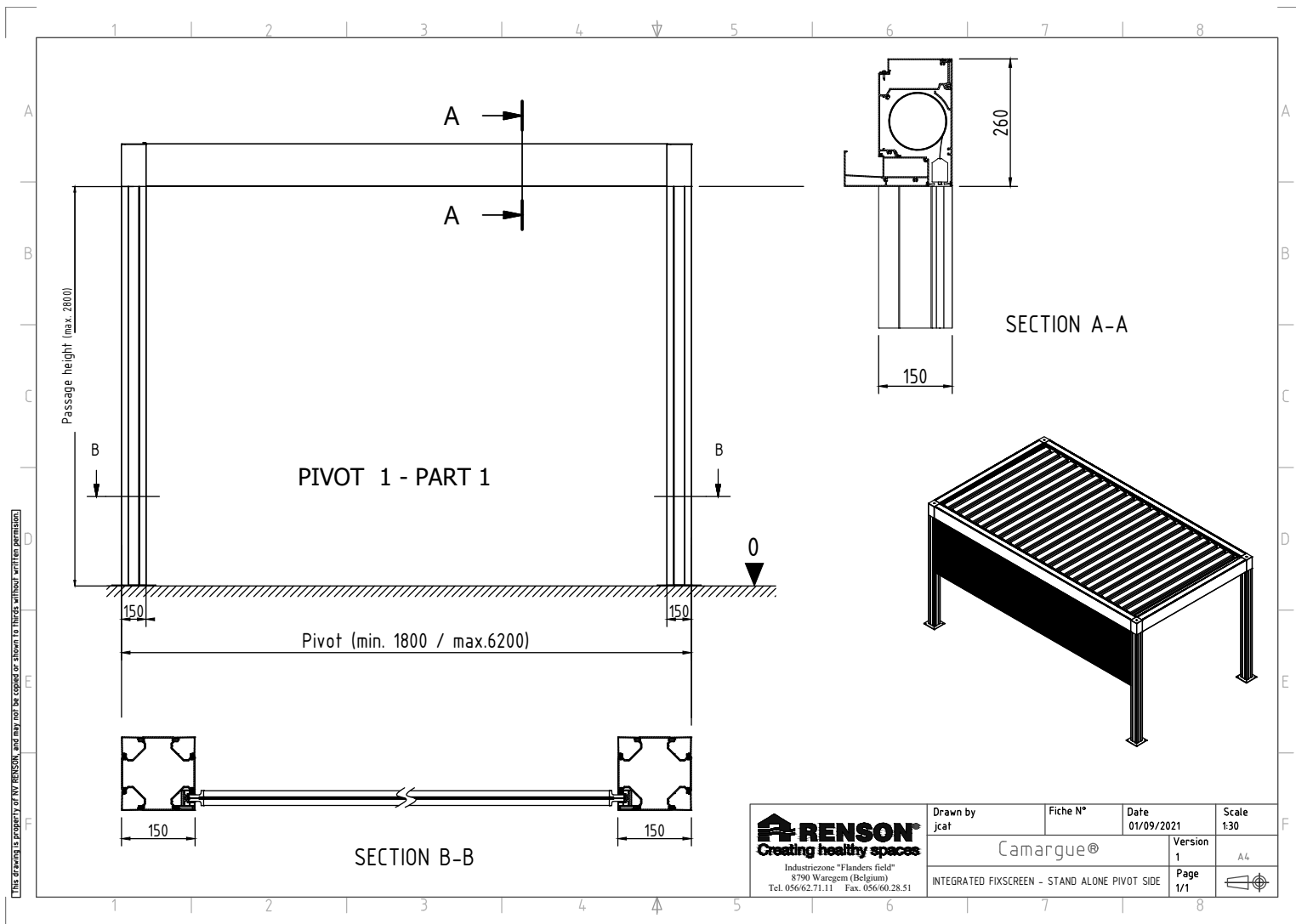
# Camargue - INTEGRATED FIXSCREEN - STAND ALONE SPAN SIDE



Download this drawing DWG

Download this drawing PDF

# Camargue - INTEGRATED FIXSCREEN - STAND ALONE PIVOT SIDE

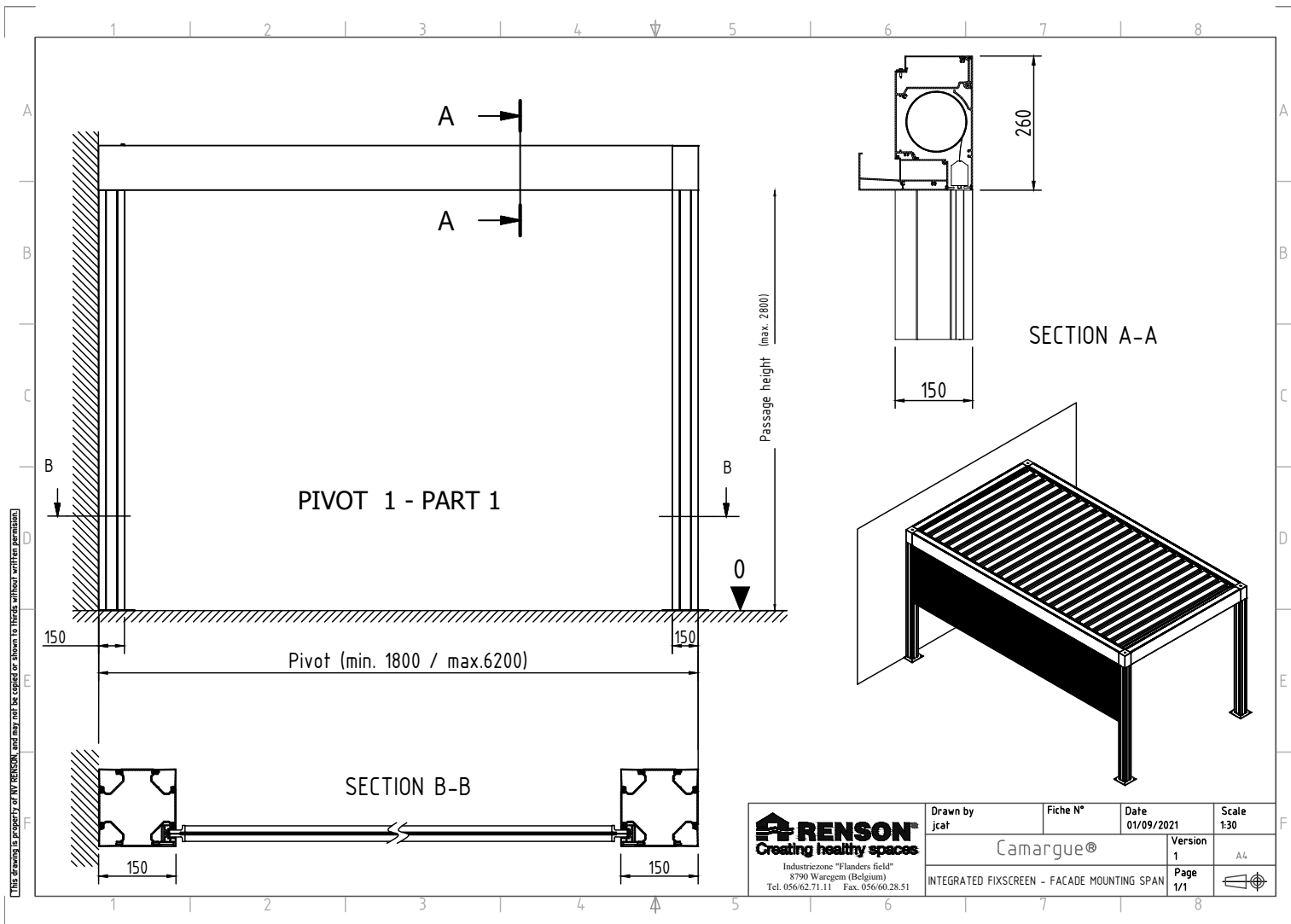


This drawing is property of NV RENSON, and may not be copied or shown to third parties without written permission.

Download this drawing DWG

Download this drawing PDF

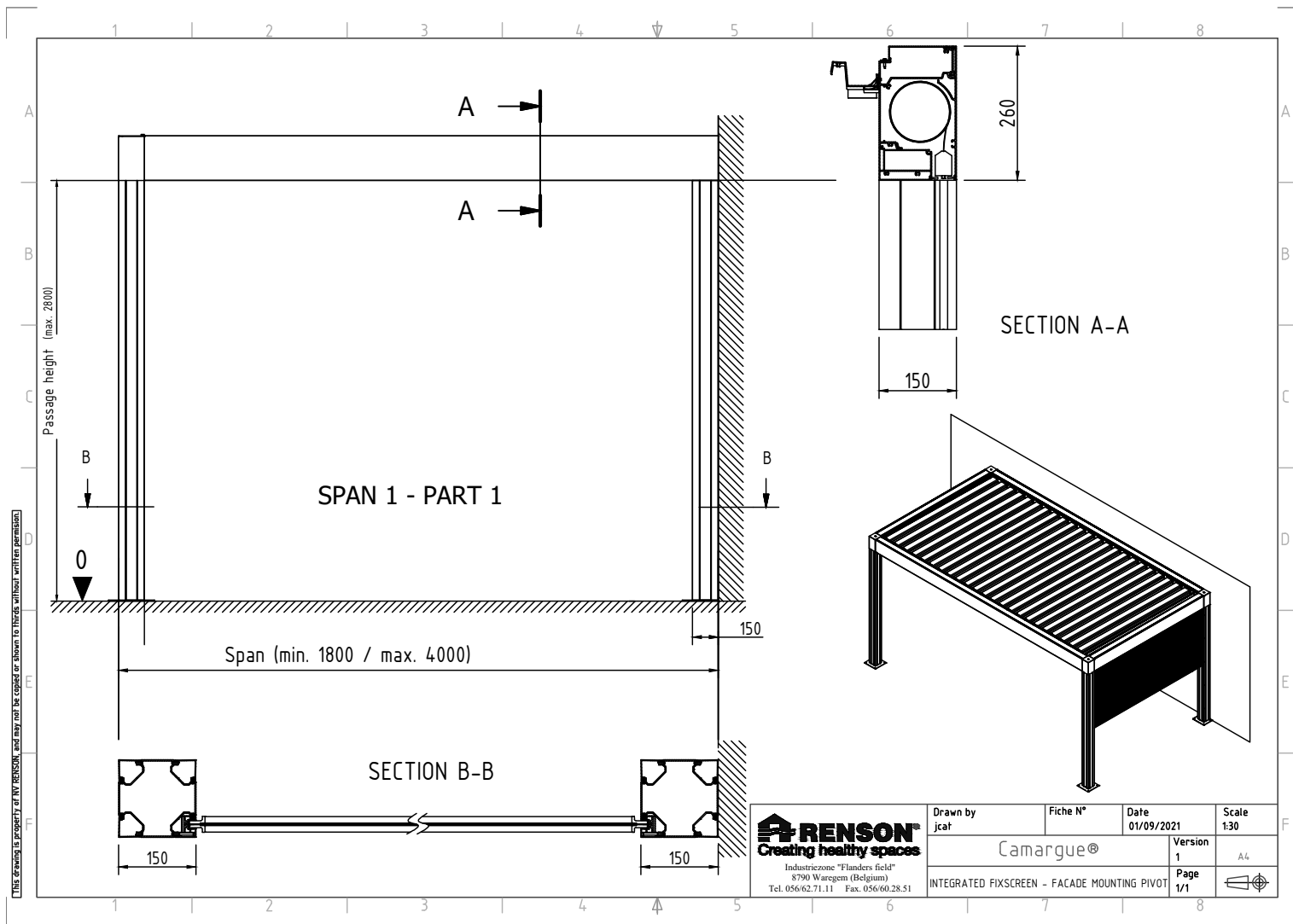
# Camargue - INTEGRATED FIXSCREEN - FACADE MOUNTING SPAN



Download this drawing DWG

Download this drawing PDF

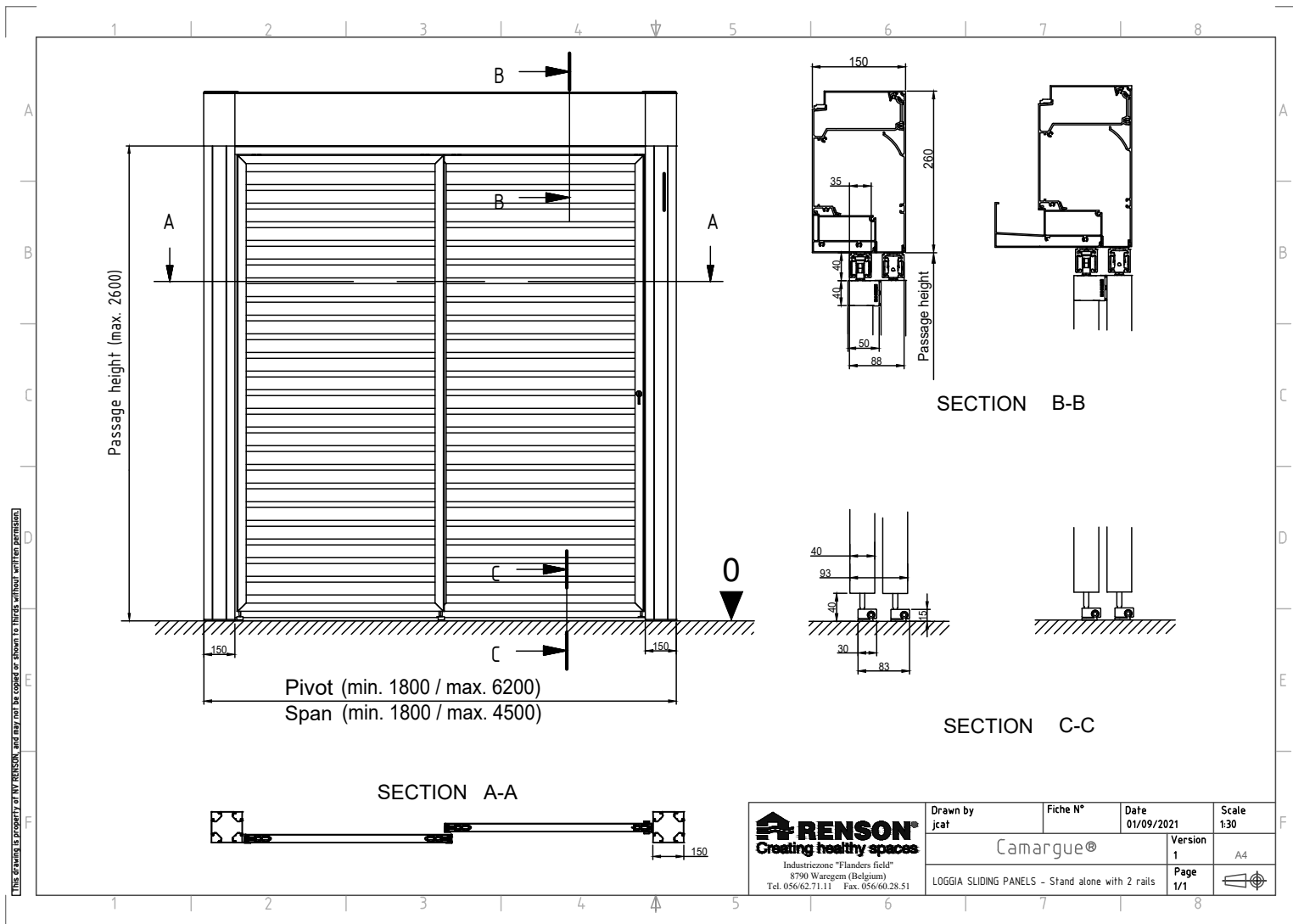
# Camargue - INTEGRATED FIXSCREEN - FACADE MOUNTING PIVOT



Download this drawing DWG

Download this drawing PDF

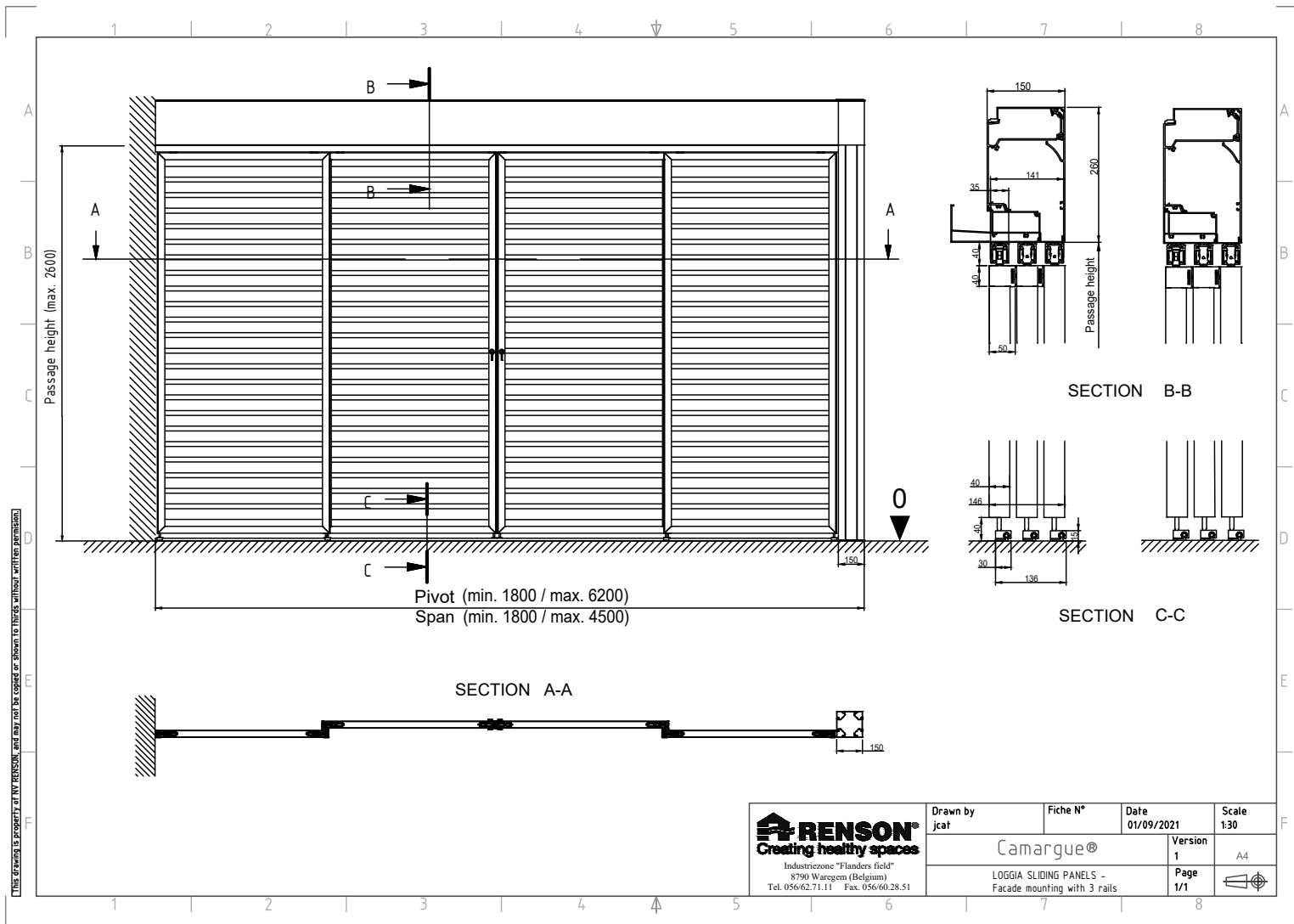
# Camargue - LOGGIA MODULAR SLIDING PANELS - STAND ALONE WITH 2 RAILS



Download this drawing DWG

Download this drawing PDF

# Camargue - LOGGIA MODULAR SLIDING PANELS - FACADE MOUNTING WITH 3 RAILS



This drawing is property of RY RENSON and may not be copied or shown to third parties without written permission.

**RENSON**  
Creating healthy spaces  
Industriezone "Flanders field"  
8790 Waregem (Belgium)  
Tel. 056/62.71.11 Fax. 056/60.28.51

Drawn by jcat	Fiche N°	Date 01/09/2021	Scale 1:30
Camargue®		Version 1	A4
LOGGIA SLIDING PANELS - Facade mounting with 3 rails		Page 1/1	

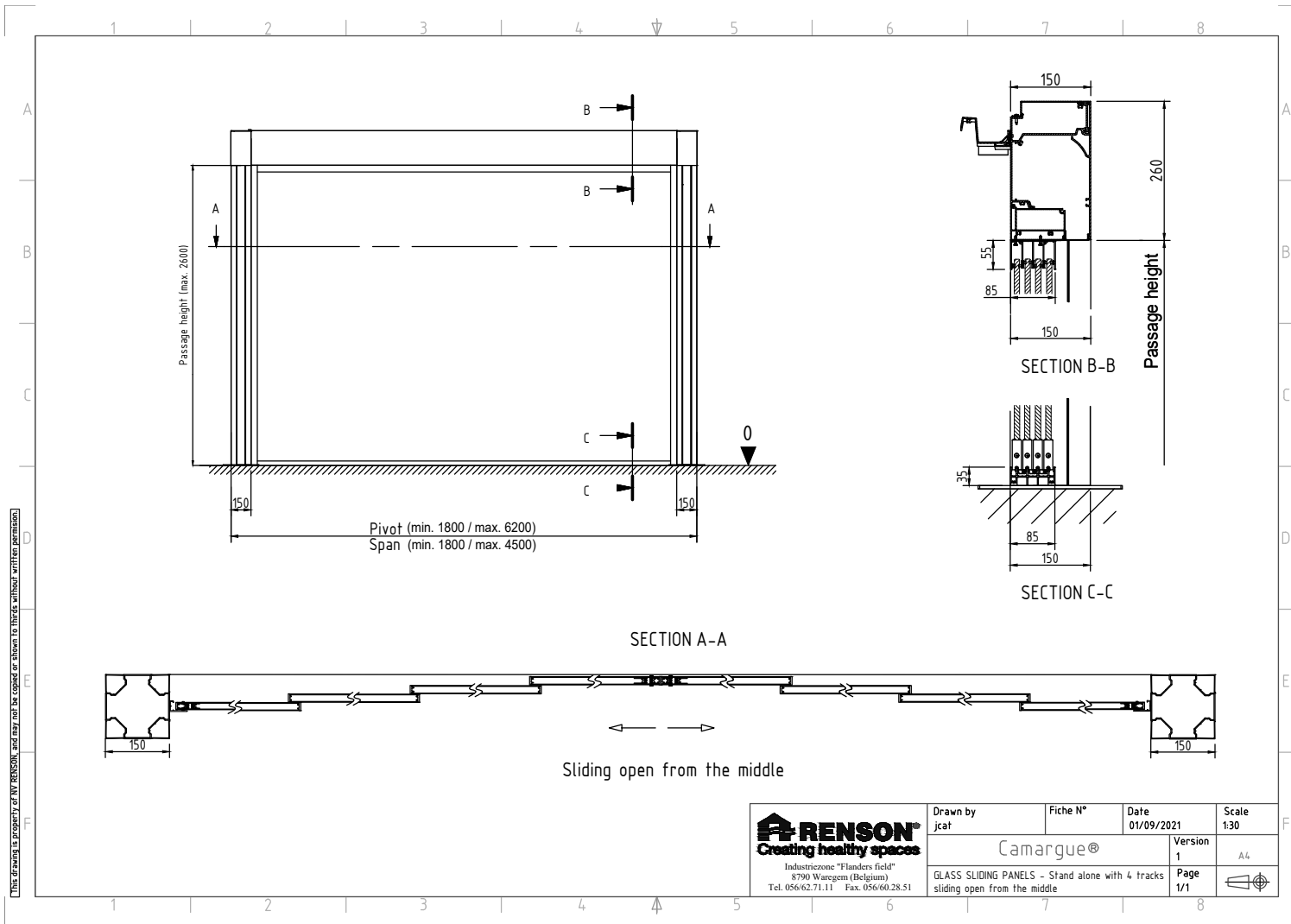
Download this  
drawing DWG

Download this  
drawing PDF

**RENSON**  
Creating healthy spaces



# Camargue - STAND ALONE WITH 4 TRACKS - OPENING FROM THE MIDDLE



This drawing is property of RY RENSON and may not be copied or shown to third parties without written permission.

**RENSON**  
Creating healthy spaces  
Industriezone "Flanders field"  
8790 Waregem (Belgium)  
Tel. 056/62.71.11 Fax. 056/60.28.51

Drawn by  
jcat

Fiche N°

Date  
01/09/2021

Scale  
1:30

Camargue®

Version  
1

Page  
1/1

A4

GLASS SLIDING PANELS - Stand alone with 4 tracks  
sliding open from the middle

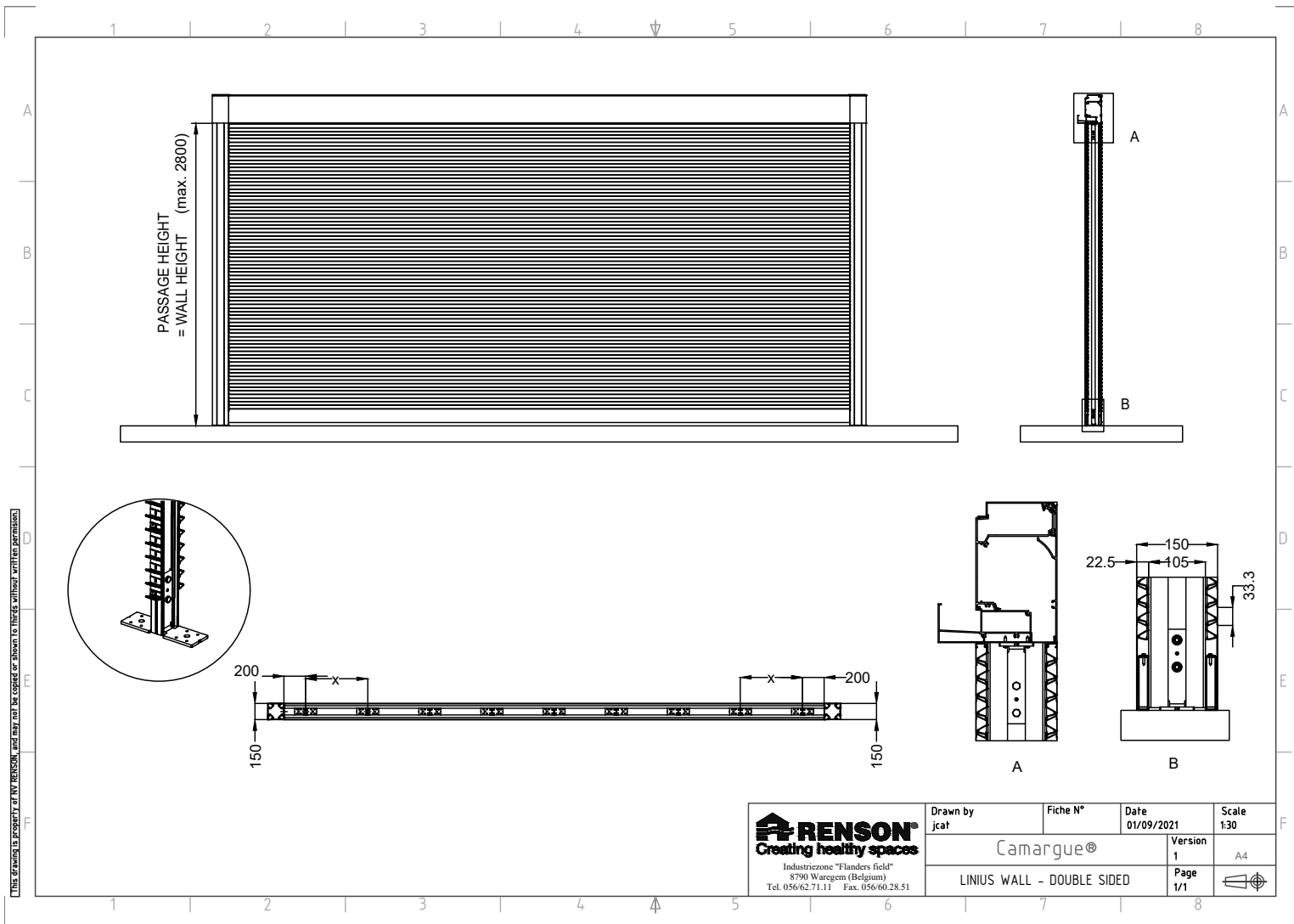


Download this  
drawing DWG

Download this  
drawing PDF



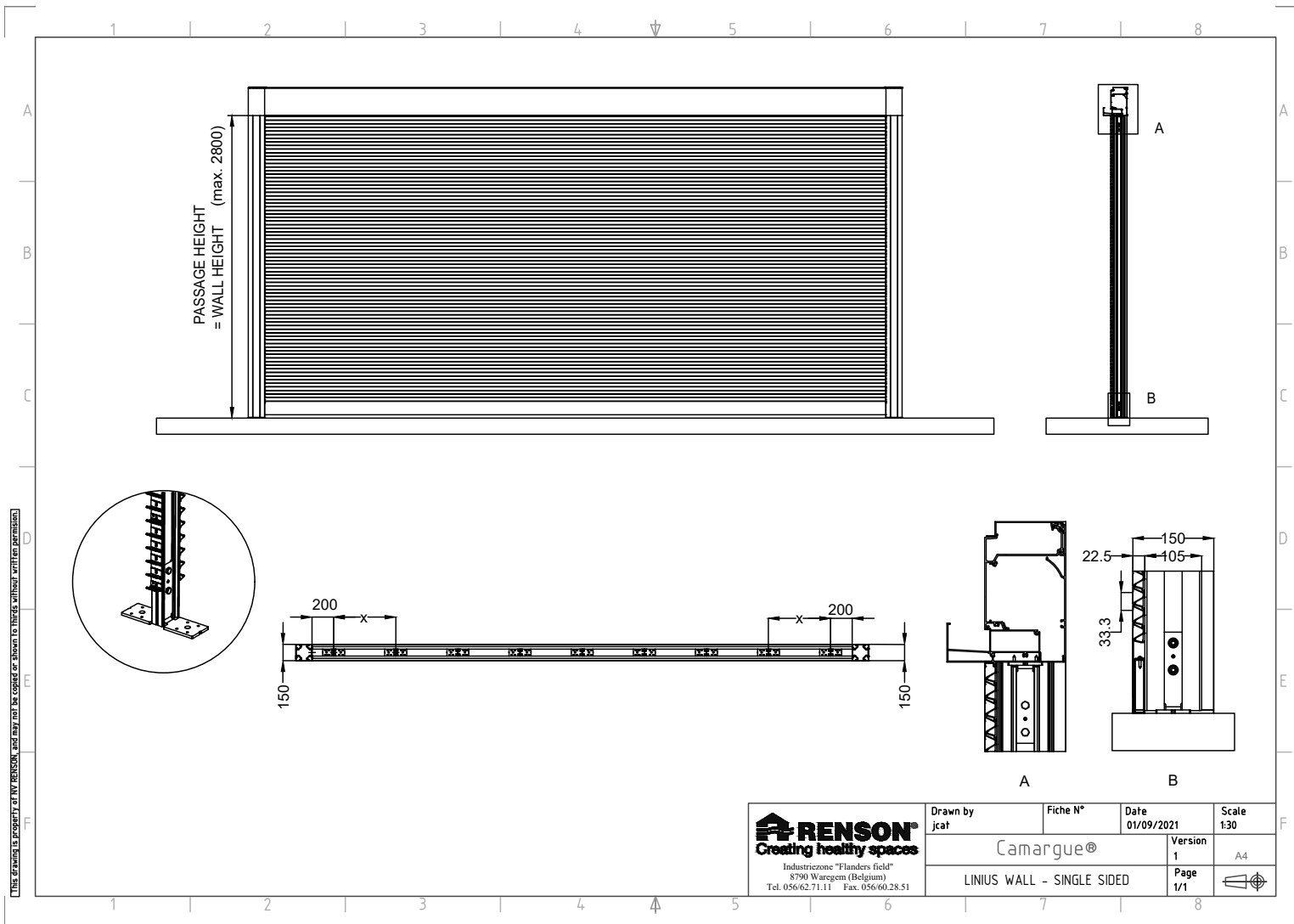
# Camargue - LINIUS WALL - DOUBLE SIDED



Download this drawing DWG

Download this drawing PDF

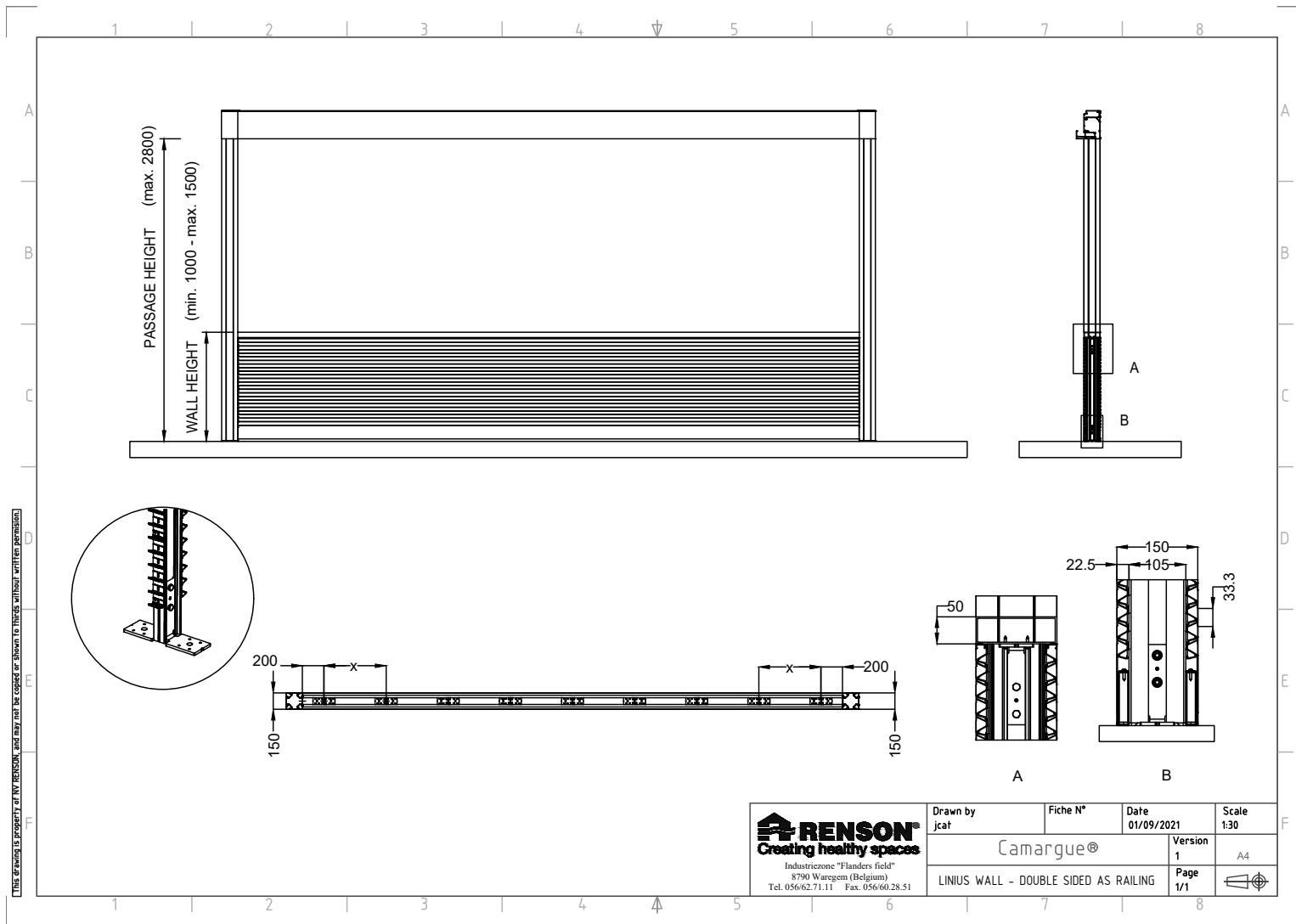
# Camargue - LINIUS WALL - SINGLE SIDED



Download this drawing DWG

Download this drawing PDF

# Camargue - LINIUS WALL - DOUBLE SIDED AS RAILING



This drawing is property of NV RENSON, and may not be copied or shown to third parties without written permission.

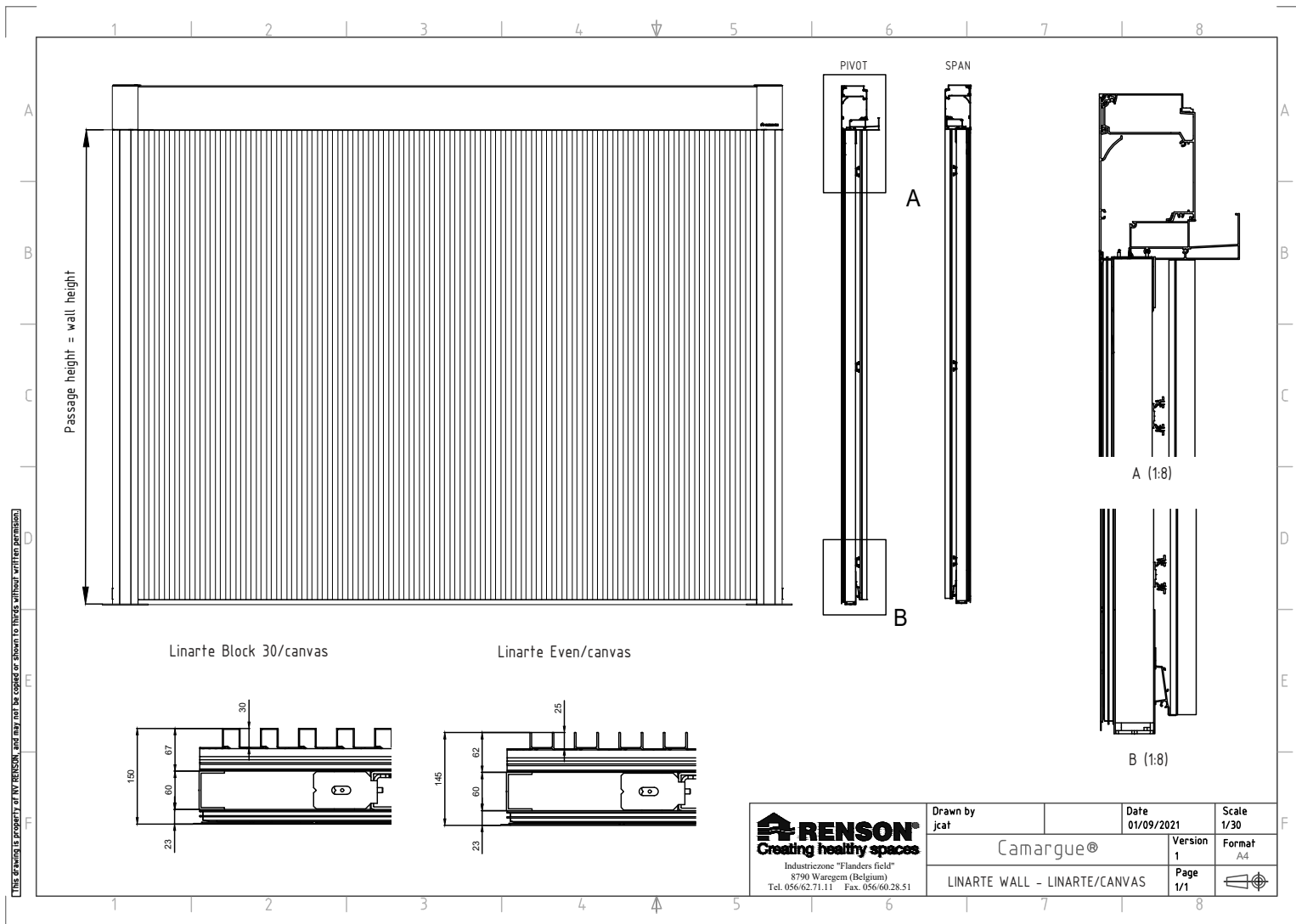
**RENSON**  
 Creating healthy spaces  
 Industriezone "Flanders field"  
 8790 Waregem (Belgium)  
 Tel. 056/62.71.11 Fax. 056/60.28.51

Drawn by jcat	Fiche N°	Date 01/09/2021	Scale 1:30
Camargue®			Version 1
LINIUS WALL - DOUBLE SIDED AS RAILING			Page 1/1

Download this  
 drawing DWG

Download this  
 drawing PDF

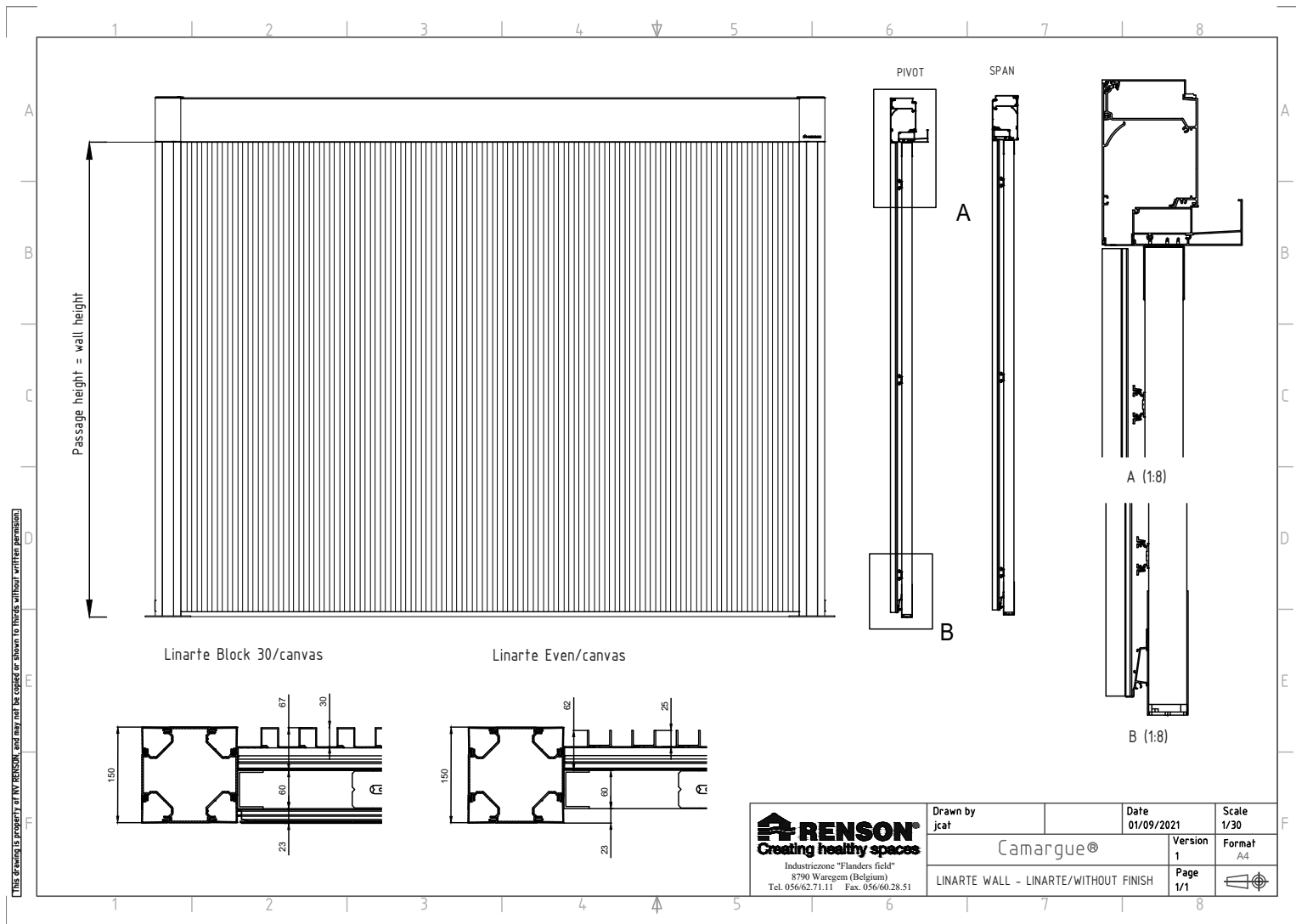
# Camargue - LINARTE WALL - LINARTE/CANVAS



Download this drawing DWG

Download this drawing PDF

# Camargue - LINARTE WALL - LINARTE/WITHOUT FINISH



Download this drawing DWG

Download this drawing PDF