

PUMPER
BODY
 Long Aluminum 2nd Gen Pumper
CHASSIS
 FireForce Chassis

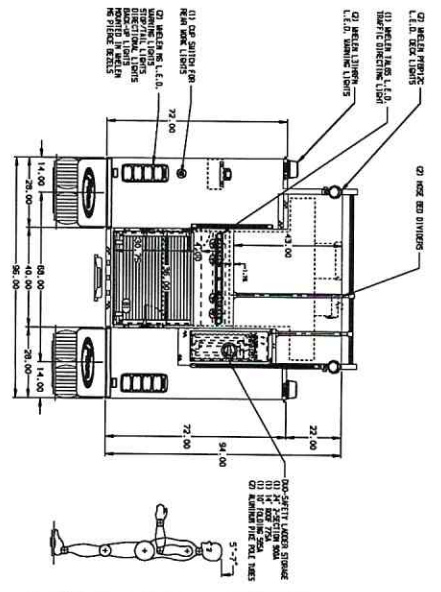
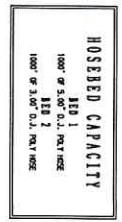
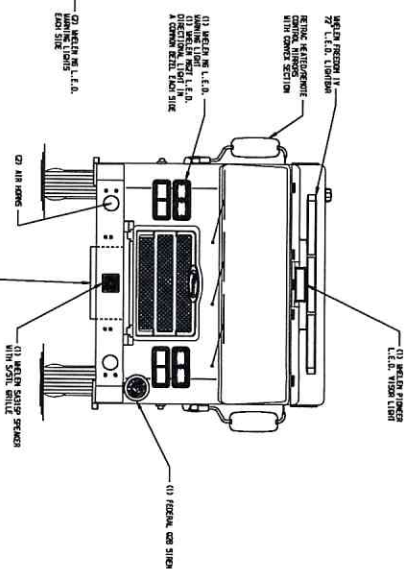
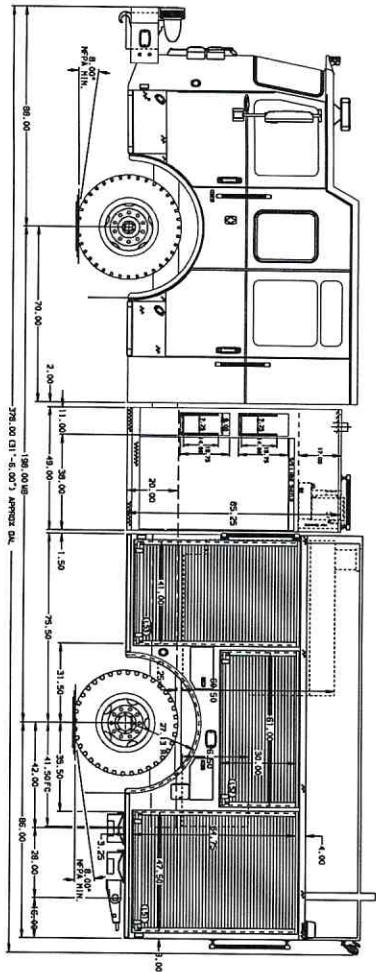
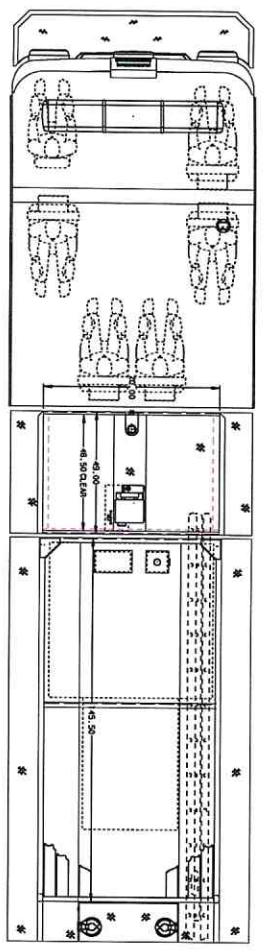
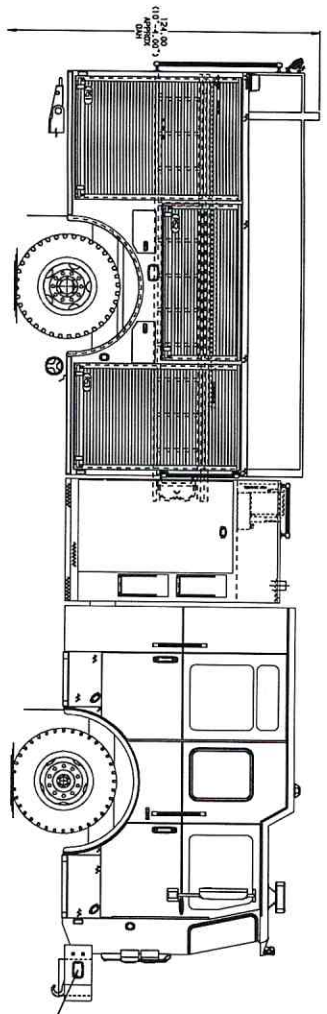
CHASSIS
AXLE, FRONT, CUSTOM
 15,500 lb Max-4 Axle
AXLE, REAR
 27,000 lb Gross Axle
ENGINE
 510 hp Power Take-Off Engine
TRANSMISSION
 Allison 300 Gen, 4000 RPS P
BUMPER
 19" Extended Reinforced Steel
CAB
 2010 FireForce Cab

BODY
WATER TANK
 750 Gallon New York Single Water Tank
COMP, PUMPER, REAR
 30" x 36" Fire Retardation Comp
COMP, PUMPER, LEFT SIDE
 181" Retard Full Height & Depth Front & Rear
COMP, PUMPER, RIGHT SIDE
 181" Retard Full Height & Depth Front & Rear

FIRE SUPPRESSION
PUMPHOUSE
 38" Control-Zone Side Mount
PUMP
 1500 GPM Redwood CSU
CROSSSLAYS, 1.50"
 1.50" Castalloy Not Required
CROSSSLAYS, 2.50"
 2.50" Castalloy Not Required
SPEEDSLAYS
 Speedalloy Not Required
GENERATOR
 Generator Not Required
FOAM SYSTEM
 Heavy 3 Single Light Foam System
FOAM CELL
 20 Gallon Foam Cell, Mounted Water

NOTE
 DIMENSIONS SHOWN ARE APPROXIMATE
 AND ARE SUBJECT TO MINOR DEVIATIONS
 IN CONSTRUCTION OR BE NECESSARY IN
 MINOR DETAILS NOT SHOWN.

Side Roll and Frontal Impact Protection



NOTICE
 DIMENSIONS SHOWN ARE APPROXIMATE
 AND ARE SUBJECT TO MINOR DEVIATIONS
 IN CONSTRUCTION OR BE NECESSARY IN
 MINOR DETAILS NOT SHOWN.

CUSTOMER APPROVAL		MANUFACTURING INC.	
APPROVED BY:	DATE:	CHASSIS DATA:	TITLE:
		2002	2002 Hewlett 2nd Gen Pumper
REV	DATE	BY	CHK
1			
2			
3			
4			
5			
6			
7			
8			
9			
10			
11			
12			
13			
14			
15			
16			
17			
18			
19			
20			
21			
22			
23			
24			
25			
26			
27			
28			
29			
30			
31			
32			
33			
34			
35			
36			
37			
38			
39			
40			
41			
42			
43			
44			
45			
46			
47			
48			
49			
50			
51			
52			
53			
54			
55			
56			
57			
58			
59			
60			
61			
62			
63			
64			
65			
66			
67			
68			
69			
70			
71			
72			
73			
74			
75			
76			
77			
78			
79			
80			
81			
82			
83			
84			
85			
86			
87			
88			
89			
90			
91			
92			
93			
94			
95			
96			
97			
98			
99			
100			