

7'x4' PRECAST BOX CULVERT
SCALE 1"=2'

Colliers
Engineering & Design
www.colliersengineering.com

Copyright © 2023, Colliers Engineering & Design All Rights Reserved. This drawing and all the information contained herein is authorized for use only by the party for whom the services were contracted or to whom it is copied. This drawing may not be copied, revised, disclosed, distributed or relied upon for any other purpose without the express written consent of Colliers Engineering & Design.

Doing Business as **MASER CONSULTING**

811
PROTECT YOURSELF
ALL STATES REQUIRE NOTIFICATION OF EXCAVATORS, DESIGNERS, OR ANY PERSON PREPARING TO DISTURB THE EARTH'S SURFACE ANYWHERE IN ANY STATE
Know what's below.
Call before you dig.
FOR STATE SPECIFIC DIRECT PHONE NUMBERS VISIT: WWW.CALL811.COM

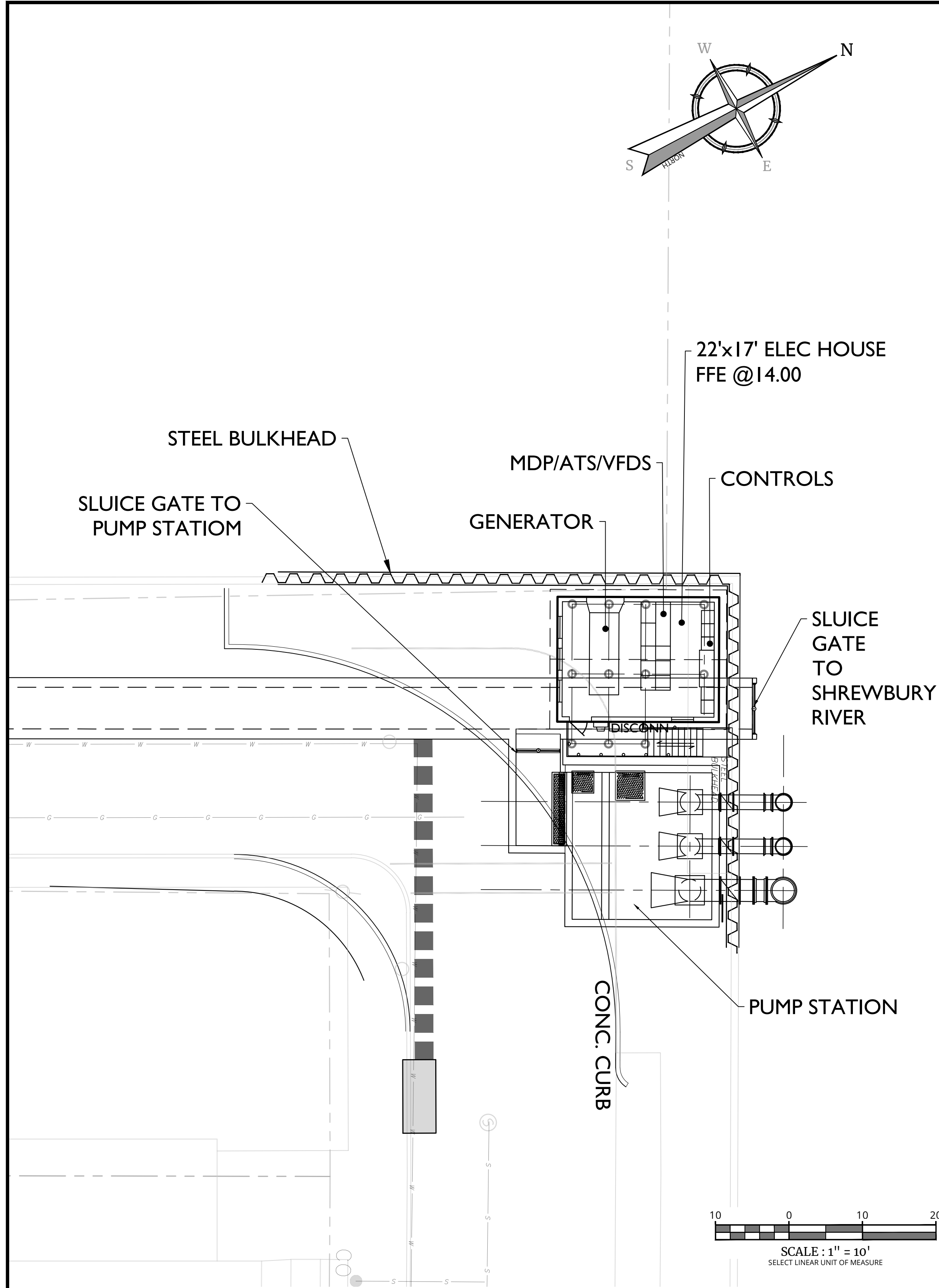
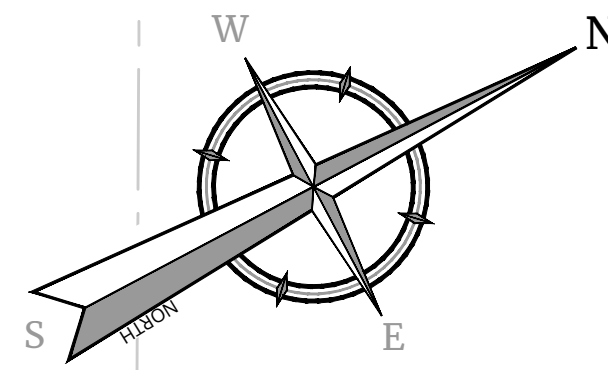
REV	DATE	DRAWN BY	DESCRIPTION
1	10/25/23	MC	REVISIONS TO SNUG HARBOR PLAN

Theodore Wilkinson
Theodore Wilkinson
NEW JERSEY LICENSED PROFESSIONAL ENGINEER
LICENSE NUMBER: GE39607
COLLIERS ENGINEERING & DESIGN, INC.
N.J. C.O.A. #: 246A2798550

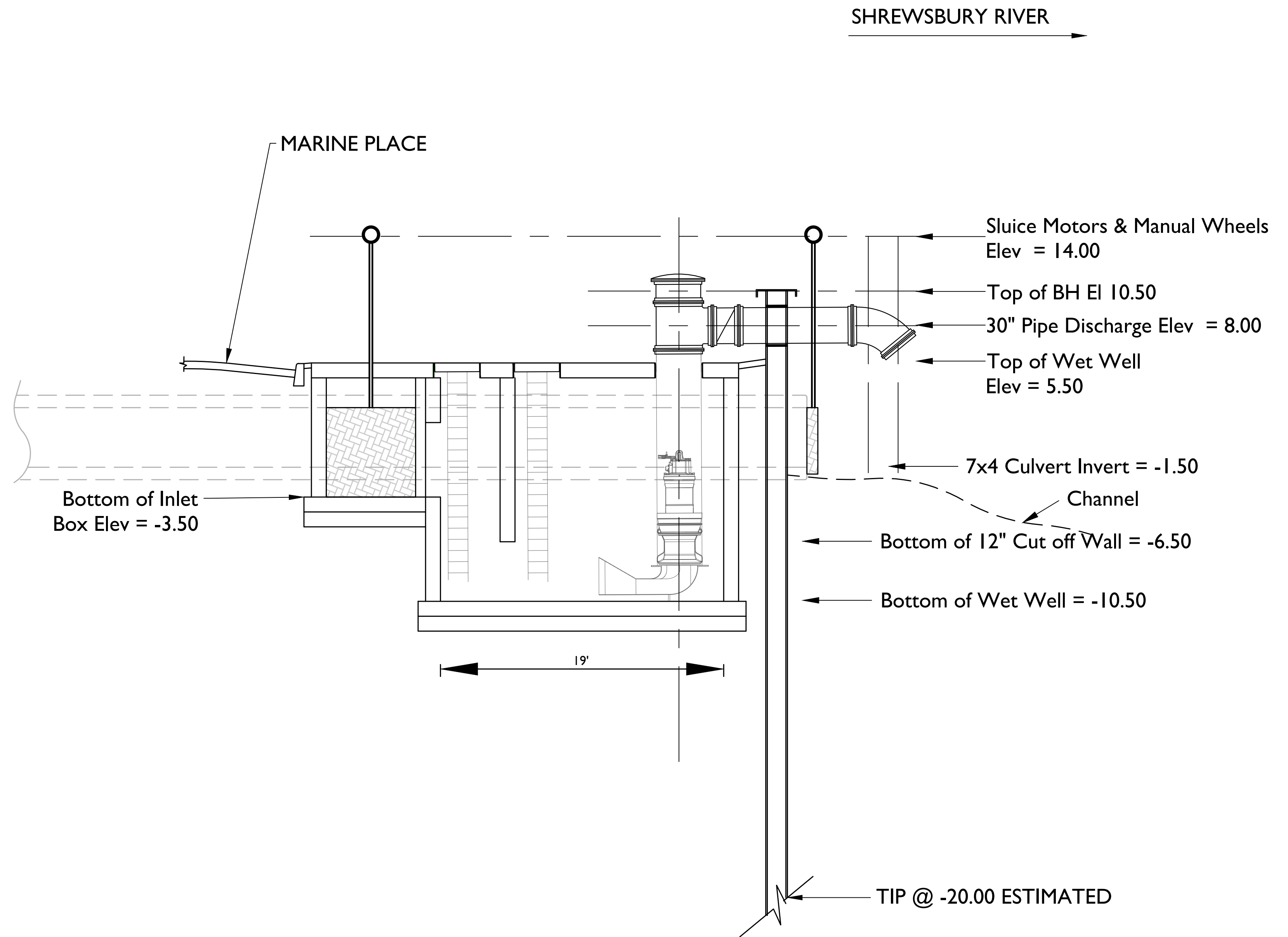
STORM WATER REMEDIATION PLAN
FOR
HIGHLANDS & MONMOUTH HILLS FLOOD MITIGATION AND GREEN INFRASTRUCTURE PROJECT
BOROUGH OF HIGHLANDS
MONMOUTH COUNTY
NEW JERSEY

Colliers Engineering & Design
2000 Midlantic Drive, Suite 100
Mt. Laurel, NJ 08054
Phone: 856.797.0412
COLLIERS ENGINEERING & DESIGN, INC.
DOING BUSINESS AS MASER CONSULTING

SCALE: AS SHOWN	DATE: 11/18/2022	DRAWN BY: RNR/CT	CHECKED BY: TW
PROJECT NUMBER: 22009818G	DRAWING NAME: C-CNPT	SHEET TITLE: SNUG HARBOR PLAN	
SHEET NUMBER: 12 of 18			



SNUG HARBOR PUMP STATION PLAN VIEW



SNUG HARBOR PUMP STATION CROSS SECTION

Colliers

Engineering & Design

www.colliersengineering.com

Copyright © 2022, Colliers Engineering & Design All Rights Reserved. This drawing and all the information contained herein is authorized for use only by the party for whom the services were contracted or to whom it is certified. This drawing may not be copied, reprinted, distributed or used in any other way without the express written consent of Colliers Engineering & Design.

Doing Business as MASER CONSULTING

811 PROTECT YOURSELF
ALL STATES REQUIRE NOTIFICATION OF EXCAVATORS, DESIGNERS, OR ANY PERSON PREPARING TO DISTURB THE EARTH'S SURFACE ANYWHERE IN ANY STATE
Know what's below.
Call before you dig.
FOR STATE SPECIFIC DIRECT PHONE NUMBERS VISIT: WWW.CALL811.COM

REV	DATE	DRAWN BY	DESCRIPTION
1	10/25/23	MC	REVISIONS TO SNUG HARBOR PLAN

Theodore Wilkinson
Theodore Wilkinson
NEW JERSEY LICENSED PROFESSIONAL ENGINEER
LICENSE NUMBER: GE39607
COLLIERS ENGINEERING & DESIGN, INC.
N.J. C.O.A. #: 246A-2798550

STORM WATER REMEDIATION PLAN
FOR
HIGHLANDS & MONMOUTH HILLS FLOOD MITIGATION AND GREEN INFRASTRUCTURE PROJECT

BOROUGH OF HIGHLANDS
MONMOUTH COUNTY
NEW JERSEY

Colliers Engineering & Design
MT. LAUREL
2000 Midlantic Drive,
Suite 100
Mt. Laurel, NJ 08054
Phone: 856.797.0412
COLLIERS ENGINEERING & DESIGN, INC.
DOING BUSINESS AS MASER CONSULTING

SCALE: AS SHOWN DATE: 11/18/2022 DRAWN BY: RNR/CT CHECKED BY: TW
PROJECT NUMBER: 22009818G DRAWING NAME: C-CNPT

SHEET TITLE: SNUG HARBOR PUMP STATION PLAN

SHEET NUMBER: 13 of 18