



#007

Wendel
 204 E. Grand Avenue Suite 200
 Eau Claire, Wisconsin 54701
 Phone: (715) 832-4848

Project: 634501 - (V) of Harrison Fire Station 70
 W5662 Manitowoc Road
 Harrison, Wisconsin 54952

Subcontract Change Order #007: CE #014 - ASI 11- Lighting & Flooring Updates

CONTRACT COMPANY:	VOE Power & Systems	CONTRACT FOR:	SC-634501-004:E04 - VOE Power & Systems
DATE CREATED:	1/ 21 /2026	CREATED BY:	Niva Nicolette (Wendel (Eau Claire))
CONTRACT STATUS:	Approved	REVISION:	0
REQUEST RECEIVED FROM:	Tiffany Fenlon	LOCATION	
DESIGNATED REVIEWER:	Michael Galley (Wendel (Williamsville Office))	REVIEWED BY:	
DUE DATE:		REVIEW DATE:	01/21 /2026
REFERENCE:		CHANGE REASON:	Latent Conditions
SCHEDULE IMPACT:		TOTAL AMOUNT:	\$ 8,221.00

DESCRIPTION:
 CE #014 - ASI 11- Lighting & Flooring Updates
 Contractor to provide pricing for the changes listed in ASI #11- Lighting & Flooring Updates.

ATTACHMENTS:
[ASI 011- Lighting & Flooring Updates- 251209.pdf](#) [VOE Proposed Pricing- Lighting & Flooring Updates- ASI 11.pdf](#)

CHANGE ORDER LINE ITEMS:

CCO #007

#	Cost Code	Description	Type	Amount
1		ASI 11- Lighting & Flooring Updates		\$ 8,221.00
Subtotal:				\$8,221.00
Grand Total:				\$8,221.00

The original (Contract Sum)	\$ 894,129.00
Net change by previously authorized Change Orders	\$ 11,116.95
The contract sum prior to this Change Order was	\$ 905,245.95
The contract sum will be increased by this Change Order in the amount of	\$ 8,221.00
The new contract sum including this Change Order will be	\$ 913,466.95
The contract time will not be changed by this Change Order	



#007

This Change Order constitutes full and final compensation for the work described in this Change Order. The contract time will not be changed by this Change Order.

This document is utilized in lieu of AIA Document G701-2001.

Michael Galley (Wendel (Williamsville Office))

Centerpointe Corporate Park 375 Essjay Road Suite 200

Williamsville New York 14221

Village of Harrison, WI

W5298 State Road 114

Menasha Wisconsin 54952

VOE Power & Systems

DocuSigned by:

Michael Galley

1/21/2026

SIGNATURE

DATE

DocuSigned by:

Rob Van Offeren

1/21/2026

SIGNATURE

DATE



VOE Power & Systems LLC

301 N Kensington Drive
Appleton, WI 54915

(920) 428-4160

CHANGE ORDER REQUEST #06

CUSTOMER

Village of Harrison
W5298 State Rd 114
Harrison, WI 54952
Attn: Mike Galley

Date: 11/11/2025

Estimator:
Rob Van Offeren
(920) 428-4160
rob@voepower.com

Project Name: Harrison Fire Rescue Station 70

Wendel Project No.: 634501

Re: Wood Ceiling Lighting Fixtures

Scope: Replace approved lighting fixture type L8 with fixtures for wood ceiling installation

Material: \$7,326.72
OH & P (10%): \$732.67
Bond (2%): \$161.19
Total \$8,221.00

Estimate Prepared By: Rob Van Offeren

This is a quotation on items listed above. Quoted prices are subject to change upon quantity change or other changes made by customer. Proposal is valid for 30 days.

Thank you for your consideration.

Customer Quote For: VOE POWER & SYSTEMS LLC

CED - APPLETON

Quote: Q5001709

Revision #: 000



2741 N. ROEMER ROAD
 APPLETON WI 54911
 Tel: (920)730-9440 Fax: (920)730-8815

Contact Name: TROY SOLBERG
Email: troys@cedappleton.com

Quote Date: 09/25/25
Updated On: 09/25/25
Expires On: 10/25/25

Job Name: HARRISON FD L8

Attn:

Ship To: VOE POWER & SYSTEMS LLC
 301 N. KENSINGTON DRIVE
 BY 6:30AM!!!!!!
 APPLETON, WI 54915
 TEL: (920)428-4160

Customer PO #:
Customer PO Date:
FOB: SHIPPING POINT
Freight: PREPAID

LN	Product	Qty Avail	Lead Time	Qty	Price	Per *	Ext Price
01	ACUIT LSIXS 8FT ALO4 SWW7	0		-12	(\$225.99)	E	(\$2,711.88)
	Type/Desig L8						
02	AXIS SL5-1000-80-30-SO-8FT-W-UNV-DP-1-NA	0		12	\$836.55	E	\$10,038.60
	Type/Desig L8-ALT						
03	DIFFERNCE OF \$7,326.72						
						Merchandise:	\$7,326.72
						Total:	\$7,326.72

PLEASE NOTE: THIS IS NOT AN OFFER TO CONTRACT, BUT MERELY A QUOTATION OF CURRENT PRICES FOR YOUR CONVENIENCE AND INFORMATION. ORDERS BASED ON THIS QUOTATION ARE SUBJECT TO YOUR ACCEPTANCE OF THE TERMS AND CONDITIONS LOCATED AT SALES.OUR-TERMS.COM, WHICH WE MAY CHANGE FROM TIME TO TIME WITHOUT PRIOR NOTICE. WE MAKE NO REPRESENTATION WITH RESPECT TO COMPLIANCE WITH JOB SPECIFICATIONS.

Slate 5

WOOD CEILINGS



Project _____

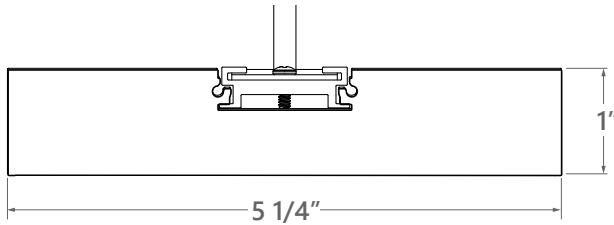
Type _____

Notes _____

PERFORMANCE PER LINEAR FOOT AT 3500K (4FT)

NOMINAL LUMEN OUTPUT	TOTAL LUMENS	INPUT WATTS	EFFICACY
550 lm/ft	2200 lm	15.8 W	139 lm/W
800 lm/ft	3200 lm	23.2 W	138 lm/W
1000 lm/ft	4000 lm	29.4 W	136 lm/W

*IES files available at axislighting.com



Ordering Guide

SL5				SO
PRODUCT ID	NOM.LUMENS/FT	CRI	COLOR TEMP.	SHIELDING
SL5 Slate 5 Wood Ceilings	550 550 lm/ft - Min. 1000 1000 lm/ft - Max.	80 80 CRI 90 90 CR	27 2700 K 30 3000 K 35 3500 K 40 4000 K	SO spotless lens
Compatible with Armstrong WOODWORKS® ceiling systems. Evaluated by Axis.		Outputs between listed min and max are available. Consult factory for outputs outside of the listed range.		

LENGTH	FINISH	VOLTAGE	DRIVER																														
L specify exact fixture length* 8 FT	<table border="0"> <tr> <td>W white</td> <td>B2103 Wild Pine</td> <td></td> </tr> <tr> <td>AP aluminum paint</td> <td>B2601 Medium Teak</td> <td></td> </tr> <tr> <td>BLK black</td> <td>B1406 French Cherry</td> <td></td> </tr> <tr> <td>C custom</td> <td>B1102 Maple Cherry</td> <td></td> </tr> <tr> <td>B99244 Birch</td> <td>B1301 Medium Chestnut</td> <td></td> </tr> <tr> <td>B2502 Fine Oak</td> <td>B1806 Dark Walnut</td> <td></td> </tr> <tr> <td>B1501 Douglas Fur</td> <td>B99097 Dark Rosewood</td> <td></td> </tr> </table>	W white	B2103 Wild Pine		AP aluminum paint	B2601 Medium Teak		BLK black	B1406 French Cherry		C custom	B1102 Maple Cherry		B99244 Birch	B1301 Medium Chestnut		B2502 Fine Oak	B1806 Dark Walnut		B1501 Douglas Fur	B99097 Dark Rosewood		<table border="0"> <tr> <td>120 120 V</td> <td>DP dimming (0-10V) 1%</td> </tr> <tr> <td>277 277 V</td> <td>LT Lutron *</td> </tr> <tr> <td>347 347 V</td> <td>BI bi-level dimming</td> </tr> <tr> <td>UNV universal</td> <td>O(#) other **</td> </tr> <tr> <td>DC low voltage*</td> <td>POE(#) POE drivers*</td> </tr> </table>	120 120 V	DP dimming (0-10V) 1%	277 277 V	LT Lutron *	347 347 V	BI bi-level dimming	UNV universal	O(#) other **	DC low voltage*	POE(#) POE drivers*
W white	B2103 Wild Pine																																
AP aluminum paint	B2601 Medium Teak																																
BLK black	B1406 French Cherry																																
C custom	B1102 Maple Cherry																																
B99244 Birch	B1301 Medium Chestnut																																
B2502 Fine Oak	B1806 Dark Walnut																																
B1501 Douglas Fur	B99097 Dark Rosewood																																
120 120 V	DP dimming (0-10V) 1%																																
277 277 V	LT Lutron *																																
347 347 V	BI bi-level dimming																																
UNV universal	O(#) other **																																
DC low voltage*	POE(#) POE drivers*																																
* Available in lengths from min 2 feet to max 8 feet, 1 inch increments. Please specify exact length that fits best your ceiling type. Can be used to replace wood slats or be placed in between slats. See page 3 for Armstrong WOODWORKS® ceilings exact lengths.	See page 3 for available wood finishes.	* Only available with POE drivers.	* Operating up to -20°C; Specify system ** Please consult factory; see page 2																														

CIRCUITS	MOUNTING	BATTERY (OPTIONAL)	CUSTOM (OPTIONAL)
1 1 circuit E(1) emergency circuit *	UB universal t-grid ceiling bracket* NA not applicable**	BR(#) battery pack (remote)	C custom
* Full fixture only	*Fits any t-grid ceiling type. Supplied by Axis. See details on page 2. **Please select this option if using third party compatible mounting hardware.	Not available with 347V Please consult factory	Please specify

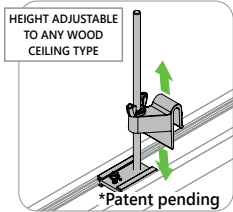
Slate 5

WOOD CEILINGS

CONSTRUCTION

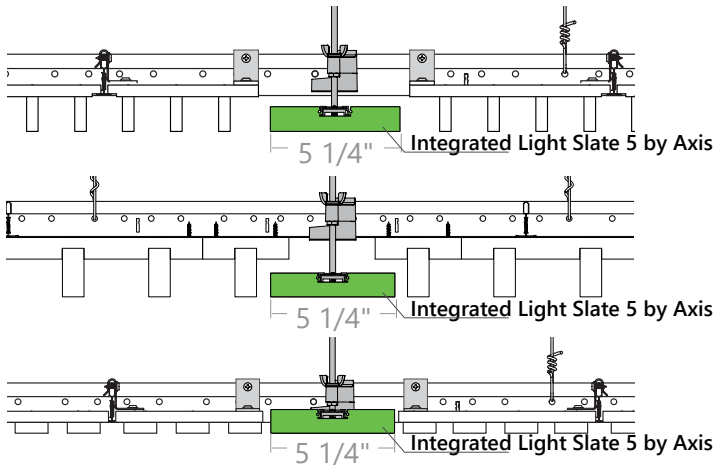
Housing	Extruded aluminum (0.075" nominal) Up to 70% recycled content
Bracket	Die formed sheet steel (22 gauge)
Mounting Brackets	Extruded aluminum
Reflectors	White powder coated sheet steel (22 gauge)
Lens	Spotless frosted acrylic lens

MOUNTING DETAIL



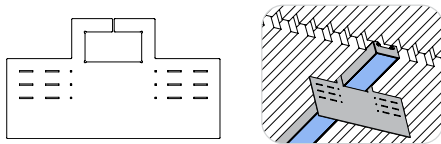
UB - Universal Bracket shown

- Facilitates coordination of ordering fixtures.
- Capable of end to end mounting.
- Allows regression control with the help of the aligner.
- Supplied by Axis.



FIXTURE HEIGHT ALIGNER

Aligner (Patent Pending) with cut-outs spaced at 0.5", 1", and 1.5" for regressed position options.



ELECTRICAL

Lutron driver	LDE1 - Hi-lume 1% EcoSystem with Soft-on, Fade-to-Black
Other drivers**	DALI - Digital Addressable Lighting Interface DMX - Digital Multiplex Xitanium SR - For wireless sensor

Power over Ethernet POE drivers*	MOLEX IGOR SMARTENGINE
UL2108 certified for integral or remote driver	O - Other (Consult factory) *Consult factory

Emergency Remote emergency battery pack or emergency circuit optional.

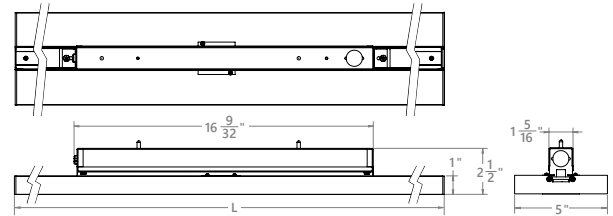
Input Voltage 120V, 277V, 347V, UNV.

i Incorporating these components may have limitations or affect the length of the luminaire. Please contact factory for more details.

LED SYSTEM

CRI	Minimum 80 or 90 color rendering index.
CCT Single Color	Choice of 2700K, 3000K, 3500K and 4000K color temperature with a great color consistency (within 3-step MacAdam ellipse). Both within fixture and fixture to fixture.
LED life	Minimum 50,000h with 85% of lumen maintenance in 25°C ambient temperature, in compliance with IES LM-80 testing measurements.
Thermal Management	Aluminum housing acting as the heat sink to maximize life.
Environment	Dry and damp rated for indoor use only in operating ambient temperatures of 0-40°C (32-104F).

SIDE VIEWS




WEIGHT

Slate 5 - 2ft	4.1 lbs / 1.9 kg
Slate 5 - 4ft	7.1 lbs / 3.2 kg
Slate 5 - 8ft	13.0 lbs / 5.9 kg

FINISHES

Powder coated and custom finishes are also available.

APPROVALS

Certified to UL and CSA standards 

WARRANTY

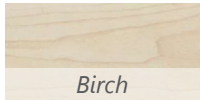
Limited 5-year warranty is available. Warranty is valid provided luminaires are installed and used according to specifications. For full terms and conditions, please consult warranty section at axislighting.com.

Slate 5

WOOD CEILINGS

WOOD FINISHES

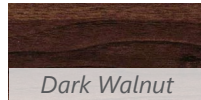
Add style to the space with classic wood finish luminaires that use advanced sublimation technology to produce a durable and elegant wood grain finish. Please contact your Axis representative for more information including pricing and lead time.



Birch
B99244



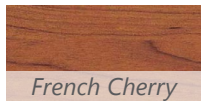
Medium Teak
B2601



Dark Walnut
B1806



Fine Oak
B2502



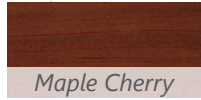
French Cherry
B1406



Dark Rosewood
B99097



Douglas Fir
B1501



Maple Cherry
B1102

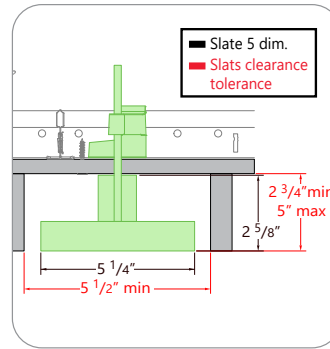


Wild Pine
B2103

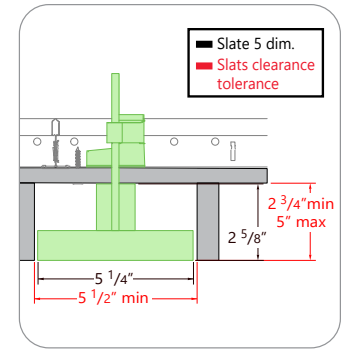


Medium Chestnut
B1301

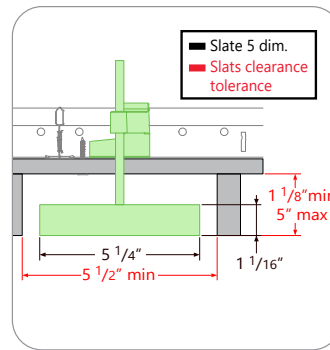
ARMSTRONG® WOODWORKS COMPATIBILITY



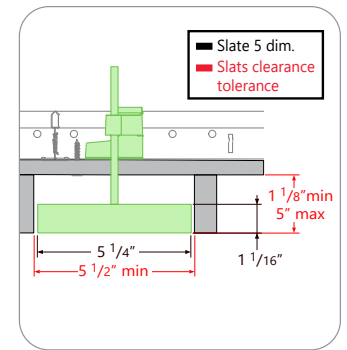
Slate 5 - Integral Driver
Integration Replacing Slats



Slate 5 - Integral Driver
Integration Between Slats



Slate 5 - Remote Driver
Integration Replacing Slats



Slate 5 - Remote Driver
Integration Between Slats

AVAILABLE LENGTHS FOR ARMSTRONG WOODWORKS®

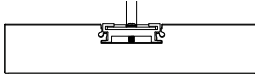
		2 ft	4 ft	8 ft
WGTG9	WOODWORKS® Grille Tegular 9/16	23.375"	N/A	N/A
WGTG15	WOODWORKS® Grille Tegular 15/16	N/A	47"	N/A
WGC	WOODWORKS® Grille Classics	N/A	N/A	95"
WV	WOODWORKS® Grille Forté Veneered	N/A	47"	95"
WFS	WOODWORKS® Grille Forté Solid	N/A	47"	95"
WLV	WOODWORKS® Linear Veneered	N/A	N/A	95.75"
WLS	WOODWORKS® Linear Solid	N/A	N/A	95"
WLTG9	WOODWORKS® Linear Tegular 9/16	23.375"	47.375"	N/A
WLTG15	WOODWORKS® Linear Tegular 15/16	23"	47"	N/A

Slate 5

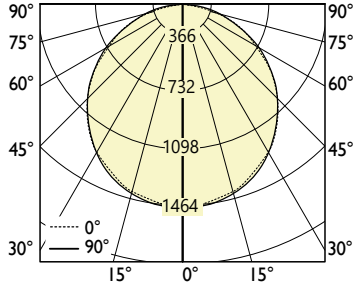
WOOD CEILINGS

● PHOTOMETRIC DATA

1000 lm/ft



PHOTOMETRIC CURVE



Lumen/ft: 1000 lm/ft
Total Lumens: 3986 lm (for 4ft)
Input Watts: 29.42W
Efficacy: 135 lm/W
 IES FILE: SL5-1000-80-35-4-W-UNV-DP.ies

TESTED ACCORDING TO IES LM-79-2008

CANDELA DISTRIBUTION

Vertical Angle	Horizontal Angles				
	0	22.5	45	67.5	90
0	1456	1456	1456	1456	1456
5	1448	1443	1436	1432	1433
15	1393	1373	1358	1347	1343
25	1283	1250	1229	1215	1206
35	1126	1084	1061	1038	1031
45	929	887	861	838	837
55	711	669	643	620	618
65	480	440	417	395	393
75	249	219	199	185	183
85	60	38	30	21	20
90	2	2	2	2	2

ZONAL LUMENS

Zone	Lumens
0	
0-10	138
10-20	393
20-30	592
30-40	705
40-50	718
50-60	635
60-70	472
70-80	262
80-90	71
90	

LUMINANCE DATA (cd/m²)

Vertical Angle	Horizontal Angles		
	0	45	90
0			
45	8417	7803	7583
55	7938	7185	6907
65	7281	6324	5956
75	6160	4927	4534
85	4387	2201	1494

i All IES files are available for download at: www.axislighting.com