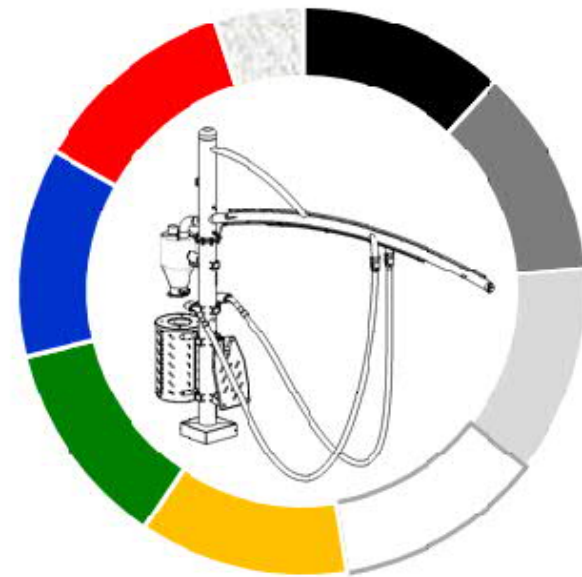


Note - this chart shows colors available. White Water will be using black for all parts shown.

### Structure / All metal parts

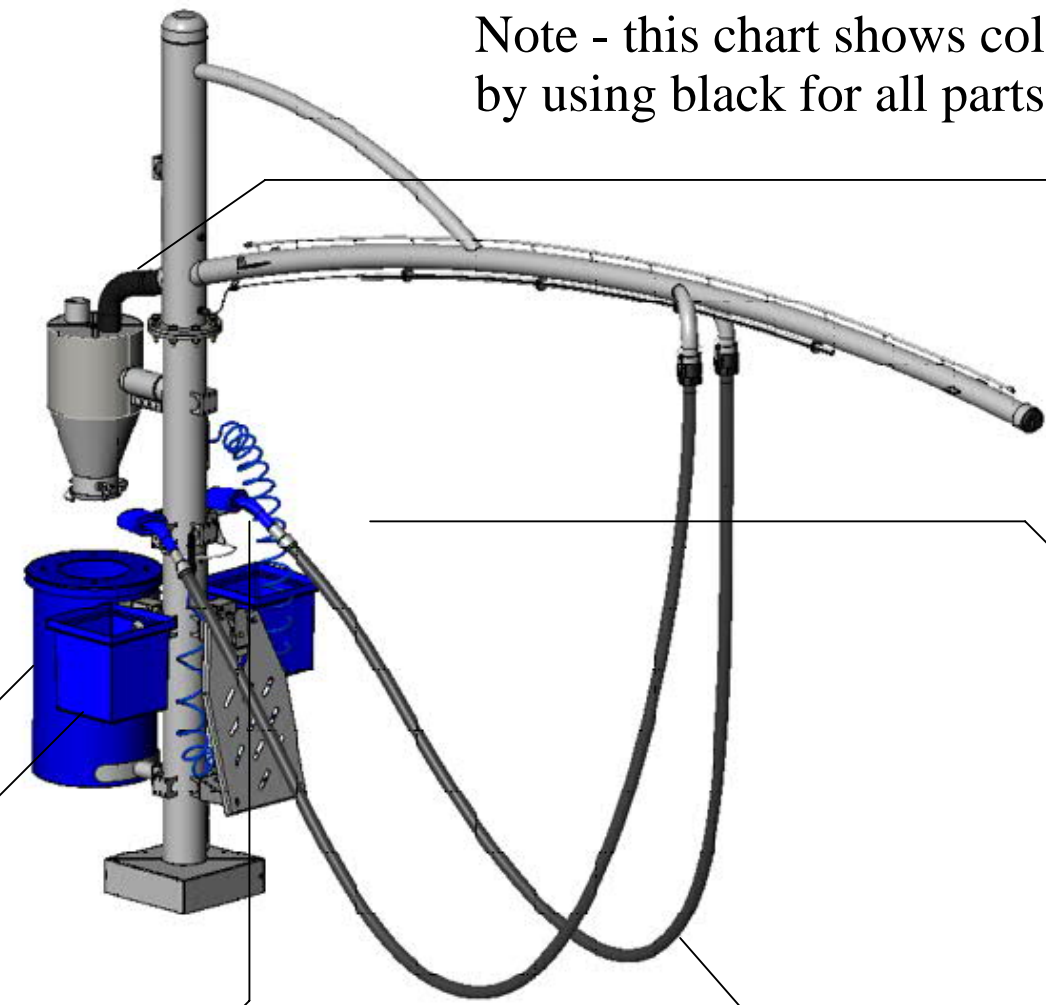


- Black (Black 2 2X)\*
- Sonny's Grey
- Autovac Silver
- White (PMS 705)\*
- Yellow (Process Yellow)\*
- Green (PMS 349)\*
- Blue (Reflex Blue)\*
- Red (PMS 185)\*
- Custom PMS
- # \_\_\_\_\_

### Cyclonic 3" Hose



- Black
- Grey
- Blue
- Red
- Orange
- Yellow
- Lime Green
- Green



### Trash Can / Lid



- Black
- Grey
- Dark Blue
- Blue
- Green
- Yellow
- Orange
- Red

### Square Bucket



- Black
- Grey
- Dark Blue
- Blue
- Green
- Yellow
- Orange
- Red

### Nozzle / Holster



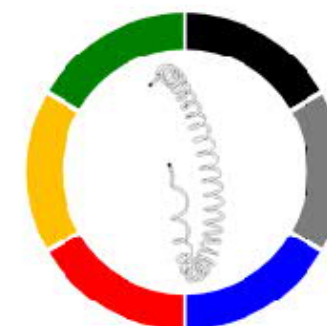
- Black

### Vacuum Hose



- Black
- Grey
- Blue
- Red
- Orange
- Yellow
- Lime Green
- Green

### Coil Air Hose



- Black
- Grey
- Blue
- Red
- Yellow
- Green

**NOTES:**

1. Colors selected above and, in links may not represent actual color due to variations in computer monitor settings.
2. All items shown may not be quoted. Please refer to original invoice and/or contact your Autovac sales representative.
3. Any changes / information noted on this form must match current invoice. If not, a change order will need to be processed, as cost vary depending on selections.
4. Decal packages available featuring your logo.

**Instructions:**

Please circle the selected color box in each option that applies to your project.

DISCLAIMER: DRAWINGS ARE FOR DESIGN INTENT ONLY, NOT FOR CONSTRUCTION. ALTHOUGH BUILDING CODES HAVE BEEN CONSIDERED IN DEVELOPING THIS DRAWING, VERIFICATION OF SITE SPECIFIC CONDITIONS AND COMPLIANCE WITH FEDERAL, STATE, AND LOCAL BUILDING CODES IS THE EXCLUSIVE RESPONSIBILITY OF THE CUSTOMER AND/OR ARCHITECT AND ENGINEER. THESE DRAWINGS REFLECT REQUIREMENTS FOR SONNY'S FURNISHED EQUIPMENT ONLY UNLESS OTHERWISE NOTED. PLEASE REFER TO OTHER MANUFACTURERS, IF ANY, FOR THEIR EQUIPMENT REQUIREMENTS.

NOTES: COLORS REFLECTED ARE FOR REPRESENTATION PURPOSES ONLY. REFER TO INVOICE FOR SPECIFIC REQUIREMENTS.



5870 Hiatus Road, Tamarac, FL 33321 | (800) 327-8723 | SonnyDirect.com

255574

White Water

COLOR CHART  
712-XXXX - L-SERIES ARCH

WV-008

WEIGHT:	DATE:	SCALE:	REV:
lbs.	1/23/2026	NTS	B

FOR PRESENTATION ONLY. NOT FOR CONSTRUCTION.


**INSTALLATION INSTRUCTIONS**

LED TUBE FOR INDOOR AND OUTDOOR APPLICATIONS, INCLUDING WET ENVIRONMENTS.

1. INSTALL LED TUBE INTO MOUNTING COLLARS WITH SUPPLIED HARDWARE. DO NOT FULLY TIGHTEN UNTIL THE LED TUBE IS CENTERED ON THE ARCH.
2. TIGHTEN MOUNTING COLLARS UNTIL THE LED TUBE IS SECURE. DO NOT OVERTIGHTEN. OVERTIGHTENING MAY BREAK THE LED TUBE AND VOID THE WARRANTY.
3. CONNECT POWER CABLE TO LED TUBE. IF REQUIRED, REMOVE TWO-PRONG PLUG.
  - OVERHEAD ELECTRICAL HOOKUP: FEED CABLE THRU CONDUIT, THEN FISH THRU TWO HOLES ON POST. CONNECT TO \*JUNCTION BOX ON BACK SIDE OF POST.
  - UNDERGROUND ELECTRICAL HOOKUP: PRIOR TO ARCH INSTALLATION; RUN TWO SEPARATE ELECTRICAL LINES UP POST AND OUT THE TOP. PLACE ARCH IN POSITION FOR INSTALL AND FEED ONE LEADER CABLE THROUGH FRONT HOLE ON ARCH POST THEN SECOND LEADER CABLE THROUGH REAR ARCH POST HOLE.
4. CUT JUMPER CABLE TO DESIRED LENGTH AND CONNECT TO \*JUNCTION BOX.
5. CONNECT (2X) LEADER CABLE TO \*ELECTRICAL JUNCTION BOX. REFER TO

RGB LED TUBE REQUIRE SUPPLEMENTAL INSTRUCTIONS FOR THE LIGHTNING CONTROL APPLICATION TO BE INSTALLED ON YOUR PHONE DEVICE.

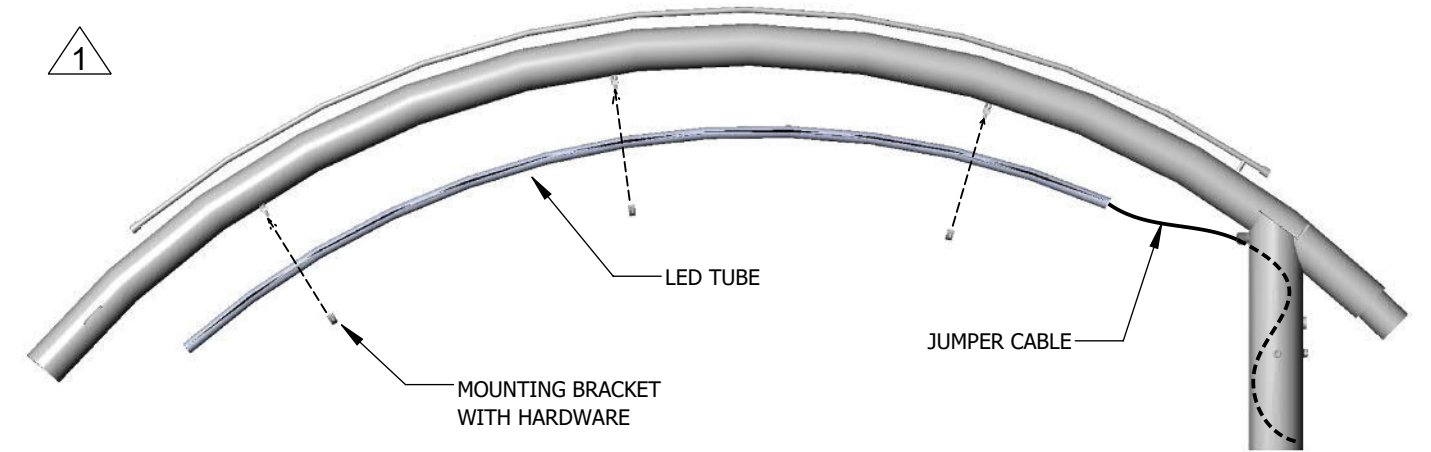
**NOTES: UNLESS OTHERWISE SPECIFIED**

△1 A-SERIES VACUUM ARCH SHOWN FOR REFERENCE. ALL OTHER ARCH STRUCTURES APPLY THE SAME.

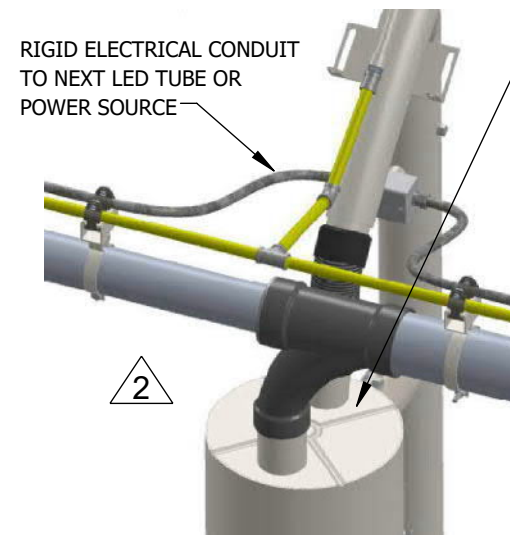
△2 SUGGESTED ELECTRICAL CONDUIT AND AIR LINE INSTALLATION FOR OVERHEAD HOOKUP. FOR UNDERGROUND HOOKUP SEE INSTRUCTION STEP 3.

△3 CONTINUOUS CONDUIT RUN THROUGH ARCH POST TO ELECTRICAL CONNECTION POINT.

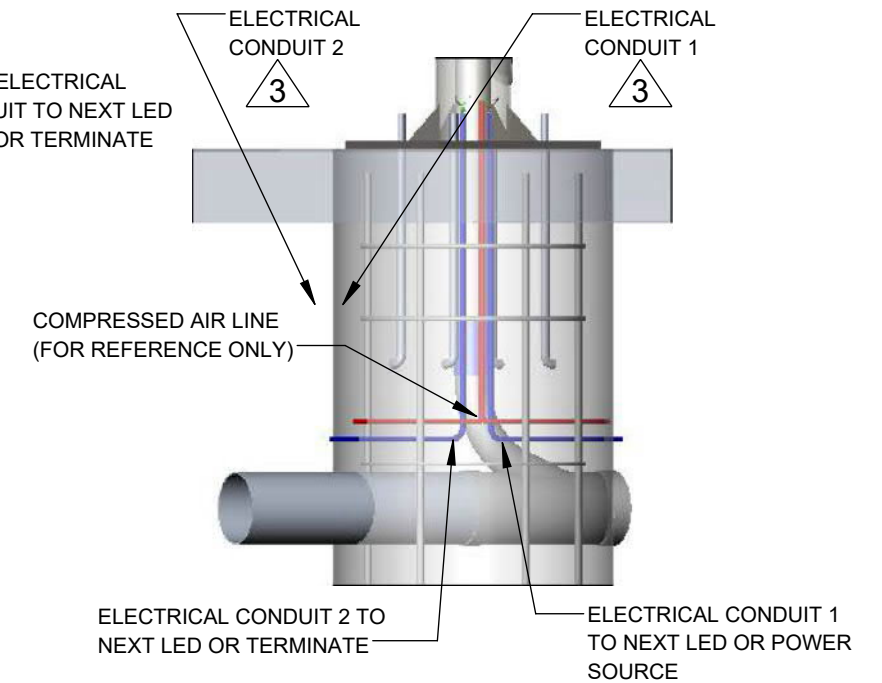
\*ELECTRICAL JUNCTION BOX TO BE SUPPLIED BY OTHERS. FOLLOW LOCAL ELECTRICAL CODES FOR PROPER LOCATION AND INSTALLATION.



**OVERHEAD HOOKUP**



**UNDERGROUND HOOKUP**



DISCLAIMER: DRAWINGS ARE FOR DESIGN INTENT ONLY, NOT FOR CONSTRUCTION. ALTHOUGH BUILDING CODES HAVE BEEN CONSIDERED IN DEVELOPING THIS DRAWING, VERIFICATION OF SITE SPECIFIC CONDITIONS AND COMPLIANCE WITH FEDERAL, STATE, AND LOCAL BUILDING CODES IS THE EXCLUSIVE RESPONSIBILITY OF THE CUSTOMER AND/OR ARCHITECT AND ENGINEER. THESE DRAWINGS REFLECT REQUIREMENTS FOR SONNY'S FURNISHED EQUIPMENT ONLY UNLESS OTHERWISE NOTED. PLEASE REFER TO OTHER MANUFACTURERS, IF ANY, FOR THEIR EQUIPMENT REQUIREMENTS.

NOTES:  
COLORS REFLECTED ARE FOR REPRESENTATION PURPOSES ONLY. REFER TO INVOICE FOR SPECIFIC REQUIREMENTS.



5870 Hiatus Road, Tamarac, FL 33321 | (800) 327-8723 | SonnyDirect.com

255574

White Water Florence

PRODUCT DATA SHEET  
431-XXXXX - LED TUBE INSTALLATION INSTRUCTIONS

WV-021

WEIGHT: lbs.	DATE: 1/23/2026	SCALE: NTS	REV: B
-----------------	--------------------	---------------	-----------