

TOWN BOARD  
TOWN OF HALFMOON

PROPOSAL

ITEM:

AMERICAN MADE BRASS FITTINGS  
MUELLER BRASS

DATE OF BID OPENING: April 10, 2024

TIME: 1:00 pm

CONTRACT PERIOD: MAY 1, 2024 to MAY 1, 2027  
SPECIFICATION DATED: MARCH 21, 2024

PURSUANT TO CHAPTER 861 OF THE LAWS OF 1953, SEALED PROPOSALS WILL BE RECEIVED BY THE TOWN BOARD OF THE TOWN OF HALFMOON FOR FURNISHING THE ITEM(S) HEREIN LISTED.

INSTRUCTIONS

1. THIS PROPOSAL IS SIGNED BY THE BIDDER WITH THE FULL KNOWLEDGE AND ACCEPTANCE OF ALL PROVISIONS OF THE GENERAL SPECIFICATIONS, THE PROPOSAL AND THE ITEM SPECIFICATION.
2. BIDS MUST BE SUBMITTED ON THIS FORM (ONLY ONE COPY OF BID REQUIRED).
3. THIS FORM MUST BE MADE OUT IN THE CORPORATE OR OTHER NAME OF THE BIDDER AND MUST BE FULLY AND PROPERLY EXECUTED BY AN AUTHORIZED PERSON OF THE COMPANY.

BID OF: Ferguson Enterprises LLC  
ADDRESS: 6012 Pierce Rd Clifton Park NY 12065  
Street City State Zip

SIGNATURE OF BIDDER: 

OFFICIAL TITLE: General Manager

PRINTED SIGNATURE: Peter Campbell

TELEPHONE # 315-400-7683

NON-COLLUSIVE BIDDING CERTIFICATION


Section 103-d of the General Municipal Law

"BY SUBMISSION OF THIS BID, EACH BIDDER AND EACH PERSON SIGNING ON BEHALF OF ANY BIDDER CERTIFIES, AND, IN THE CASE OF A JOINT BID, EACH PART THERETO CERTIFIES AS TO ITS OWN ORGANIZATION, UNDER PENALTY OF PERJURY, THAT TO THE BEST OF KNOWLEDGE AND BELIEF.

"THE PRICES IN THIS BID HAVE BEEN ARRIVED AT INDEPENDENTLY WITHOUT COLLUSION, CONSULTATION, COMMUNICATION, OR AGREEMENT, FOR THE PURPOSE OF RESTRICTING COMPETITION, AS TO ANY MATTER RELATING TO SUCH PRICES WITH ANY OTHER BIDDER OR WITH ANY COMPETITOR.

"UNLESS OTHERWISE REQUIRED BY LAW, THE PRICES WHICH HAVE BEEN QUOTED IN THIS BID HAVE NOT BEEN KNOWINGLY DISCLOSED BY THE BIDDER AND WILL NOT KNOWINGLY BE DISCLOSED BY THE BIDDER PRIOR TO OPENING, DIRECTLY OR INDIRECTLY, TO ANY OTHER BIDDER OR TO ANY COMPETITION, AND

"NO ATTEMPT HAS BEEN MADE OR WILL BE MADE BY THE BIDDER TO INDUCE ANY OTHER PERSON, PARTNERSHIP OR CORPORATION TO SUBMIT OR NOT TO SUBMIT A BID FOR THE PURPOSE OF RESTRICTING COMPETITION."

  
\_\_\_\_\_  
*General Manager* TITLE

\_\_\_\_\_  
\_\_\_\_\_  
TITLE

BIDDERS ARE REQUESTED TO RETAIN THIS SPECIFICATION FOR FUTURE REFERENCE IN CONNECTION WITH THE ITEMS LISTED HEREIN

GENERAL INFORMATION

**TAX:** PURCHASES BY THE TOWN BOARD ARE NOT SUBJECT TO ANY SALES OR FEDERAL EXCISE TAXES. EXEMPTION CERTIFICATIONS WILL BE FURNISHED UPON REQUEST BY THE ORDERING AGENCY.

THE TOWN BOARD IS ALSO EXEMPT FROM THE TRANSPORTATION TAX AND NO EXEMPTION CERTIFICATES ARE REQUIRED FOR THIS TAX.

THERE IS NO EXEMPTION, HOWEVER, FOR SOCIAL SECURITY, UNEMPLOYMENT INSURANCE AND LIKE TAXES.

**PROPOSAL:** EACH PROPOSAL MUST BE SUBMITTED ON THE OFFICIAL FORM FURNISHED BY THE TOWN. ALL BLANK SPACES IN THE PROPOSAL FORM MUST BE FILLED IN AND NO CHANGE SHALL BE MADE IN THE PHRASEOLOGY OF THE PROPOSAL.

PROPOSALS THAT ARE ILLEGIBLE OR THAT CONTAIN ANY OMISSIONS, ERASURES, ALTERATIONS, ADDITIONS, OR ITEMS NOT CALLED FOR IN THE ITEMIZED PROPOSAL OR THAT CONTAIN IRREGULARITIES OF ANY KIND, MAY BE REJECTED AS INFORMAL.

EACH PROPOSAL, IF MORE THAN ONE IS SUBMITTED, SHALL BE SEALED IN A SEPARATE ENVELOPE WITH ALL REQUIRED LITERATURE, EXPLANATION AND FORMS.

**AWARD:** AWARD WILL BE MADE AS INDICATED IN THE PROPOSAL.

**QUANTITIES:** QUANTITIES SPECIFIED ARE UNITS.

**INFORMATION  
TO BE  
FURNISHED**

**WITH BID:** BIDDER MUST SUBMIT WITH BID DETAILED SPECIFICATIONS AND ALL NECESSARY DATA ON EQUIPMENT PROPOSED TO BE FURNISHED.

BID "A"  
 TOWN OF HALFMOON SPECIFICATIONS  
 (5/1/24-5/1/27)

SPEC.NO 1-2024

**NO LEAD  
 MUELLER BRASS**

SIZE	ITEM	BID PRICE
5/8"x 3/4"x 3/4"	Angle Meter Stop -H-14258	\$ 58.89
5/8"x 3/4"x 1"	Angle Meter Stop -H14258	\$ 65.09
1"x 1"	Angle Meter Stop -H-14258	\$ 80.65
3/4"	Meter Tail Couplings H-10890	\$ 13.77
1"	Meter Tail Couplings H-10890	\$ 21.14
3/4"	Corporation Stop B-25008	\$ 71.55
1"	Corporation Stop B-25008	\$ 94.19
3/4"	Curb Valve -- B-25009 * QUOTING PART# B-25209 PER CONVERSATION WITH FRANK TIRONI	\$ 101.45
1"	Curb Valve -- B-25009 * QUOTING PART# B-25209 PER CONVERSATION WITH FRANK TIRONI	\$ 152.21
3/4"	Straight Union -- H-15404N * QUOTING PART# H-15403 PER CONVERSATION WITH FRANK TIRONI	\$ 27.69
1"	Straight Union -- H -15404N * QUOTING PART# H-15403 PER CONVERSATION WITH FRANK TIRONI	\$ 30.17
3/4" x 1"	Reducer Coupling H-15403N	\$ 30.30

Bid Form "A"

BID "B"  
TOWN OF HALFMOON SPECIFICATIONS  
(5/1/24 to 5/1/27)

SPEC NO. 1-2024

**AMERICAN MADE BRASS FITTINGS**

SIZE	ITEM	BID PRICE
3/4"	Ball Valve	\$ 14.06
1"	Ball Valve	\$ 23.44
1 1/2"	Ball Valve	\$ 46.52
2"	Ball Valve	\$ 64.80

\*\*\* please note ,ball valve pricing is good for the duration of the contract. All Mueller pricing is valid for 1 year after which for each of the remaining two years of the contract Mueller reserves the right to institute up to but not to exceed a 5% increase for each remaining year \*\*\*

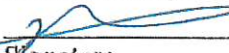
## IRANIAN ENERGY DIVESTMENT CERTIFICATION

**Pursuant to Section 103-g  
Of the New York State  
General Municipal Law**

A. By submission of this bid/proposal, each bidder/proposer and each person signing on behalf of any bidder/proposer certifies, and in the case of a joint bid, each party thereto certifies as to its own organization, under penalty of perjury, that to the best of its knowledge and belief that each bidder is not on the list created pursuant to paragraph (b) of subdivision 3 of Section 165-a of the New York State Finance Law.

B. A Bid/Proposal shall not be considered for award, nor shall any award be made where the condition set forth in Paragraph A above has not been complied with; provided, however, that in any case the bidder/proposer cannot make the foregoing certification set forth in Paragraph A above, the bidder/proposer shall so state and shall furnish with the bid a signed statement which sets forth in detail the reasons therefore. Where Paragraph A above cannot be complied with, the Purchasing Unit to the political subdivision, public department, agency or official thereof to which the bid/proposal is made, or his designee, may award a bid/proposal, on a case by case business under the following circumstances:

1. The investment activities in Iran were made before April 12, 2012, the investment activities in Iran have not been expanded or renewed after April 12, 2012, and the Bidder/Proposer has adopted, publicized and is implementing a formal plan to cease the investment activities in Iran and to refrain from engaging in any new investments in Iran; or
2. The political subdivision makes a determination that the goods or services are necessary for the political subdivision to perform its functions and that, absent such an exemption, the political subdivision would be unable to obtain the goods or services for which the contract is offered. Such determination shall be made in writing and shall be a public document.

  
\_\_\_\_\_  
Signature

General Manager

\_\_\_\_\_  
Title

3/21/2024 Ferguson Enterprises, LLC

\_\_\_\_\_  
Date Company Name

**SECRETARIAL CERTIFICATE OF AUTHORIZATION**

The undersigned Assistant Secretary of **Ferguson Enterprises, LLC**, duly organized and existing under the laws of Virginia (the "Company"), hereby designates and certifies that the following employee of the Company, is authorized, on behalf of the Company to take the action(s) designated herein and to execute any and all documents necessary to further such actions:

**Individual Name:** Peter Campbell

**Title:** General Manager



**Authorized Action(s):**

1. To enter into contracts, agreements or other documents, and to execute such documents and undertake all such acts as may deemed in the best interest of the Company.
2. To prepare and submit bids and proposals to the Company's customers

This certificate of authorization shall be effective from the date hereof until **November 19, 2024** unless withdrawn sooner in writing. The provisions of this Certificate are in conformity with a Resolution adopted by the Board of Directors of the Company effective July 31, 2023.

In witness whereof, I have hereunto subscribed my name and affixed the seal of the Company, effective **November 20, 2023**

**Ferguson Enterprises, LLC**



(Company Seal)



Wesley E. Rice  
Assistant Secretary

Commonwealth of Virginia  
City of Newport News

Sworn to subscribe and acknowledged before me on November 20, 2023, by Wesley E. Rice, personally known to me, in his capacity as Assistant Secretary of Ferguson Enterprises, LLC, a Virginia LLC, on behalf of such Company.

Notary – Casey Mehlhoff  
My commission expires: July 31, 2026

(Notary Seal)

# GROUND KEY ANGLE METER VALVES 3/4" & 1" SIZES

**Mueller Co.**

# 8D.11

Shaded area indicates change Rev. 5-18



**Ground key angle meter stop**  
Mueller 110<sup>®</sup> Conductive  
Compression Connection for CTS  
O.D.\* tubing x meter swivel nut\*\*  
*180° turn check - lock wing*

**H-14258N**

Catalog size	5/8"x3/4"	5/8"x3/4"x3/4"	5/8"x3/4"x1"	1"
Meter size	5/8"	5/8"x3/4", 3/4"	5/8"x3/4", 3/4"	1"
Pipe size	3/4"	3/4"	1"	1"



**Ground key angle meter stop**  
Mueller<sup>®</sup> Pack Joint Connection for  
CTS O.D.\* tubing x meter swivel nut\*\*  
*180° turn check - lock wing*

**P-14258N**

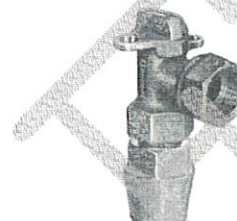
Catalog size	5/8"x3/4"x3/4"	5/8"x3/4"x1"	1"
Meter size	5/8"x3/4", 3/4"	5/8"x3/4", 3/4"	1"
Pipe size	3/4"	1"	1"



**Ground key angle meter stop**  
Mueller 110 Compression  
Connection for IPS PE\* plastic pipe x  
meter swivel nut\*\*  
*180° turn check - lock wing*

**H-14259N**

Catalog size	5/8"x3/4"x3/4"	5/8"x3/4"x1"	1"
Meter size	5/8"x3/4", 3/4"	5/8"x3/4", 3/4"	1"
Pipe size	3/4"	1"	1"



**Ground key angle meter stop**  
Mueller INSTA-TITE<sup>®</sup> Connection  
for IPS PE\* plastic pipe x meter  
swivel nut\*\*  
*180° turn check - lock wing*  
**Ground key angle meter stop**

**H-14266N**

Catalog size	5/8"x3/4"x3/4"	5/8"x3/4"x1"	1"
Meter size	5/8"x3/4", 3/4"	5/8"x3/4", 3/4"	1"
Pipe size	3/4"	1"	1"



**Ground key angle meter stop**  
Mueller INSTA-TITE<sup>®</sup> Connection for  
CTS O.D.\* PE plastic tubing x meter  
swivel nut\*\*  
*180° turn check - lock wing*

**H-14267N**

Catalog size	5/8"x3/4"x3/4"	5/8"x3/4"x1"	1"
Meter size	5/8"x3/4", 3/4"	5/8"x3/4", 3/4"	1"
Pipe size	3/4"	1"	1"



**Copper flare nut x meter swivel nut\*\***  
*180° turn check - lock wing*

**H-14255N**

Catalog size	5/8"x3/4"	5/8"x3/4"x3/4"	5/8"x3/4"x1"	1"
Meter size	5/8"	5/8"x3/4", 3/4"	5/8"x3/4", 3/4"	1"
Pipe size	3/4"	3/4"	1"	1"



**Ground key angle meter stop**  
F.I.P. x meter swivel nut\*\*  
*180° turn check - lock wing*

**H-14265N**

Catalog size	5/8"x3/4"	5/8"x3/4"x3/4"	5/8"x3/4"x1"	1"
Meter size	5/8"	5/8"x3/4", 3/4"	5/8"x3/4", 3/4"	1"
Pipe size	3/4"	3/4"	1"	1"



**Ground key angle meter stop**  
Mueller Pack Joint for IPS PE\* plastic  
pipe x meter swivel nut\*\*  
*180° turn check - lock wing*

**E-14259N**

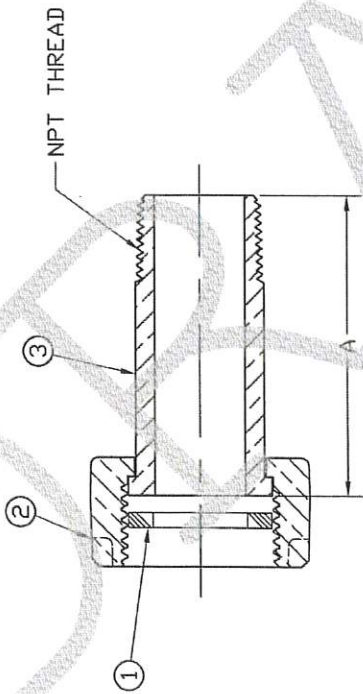
Catalog size	5/8"x3/4"x3/4"	5/8"x3/4"x1"	1"
Meter size	5/8"x3/4", 3/4"	5/8"x3/4", 3/4"	1"
Pipe size	3/4"	1"	1"

\* See charts on pages 8D.17 and 8D.18 for tubing and pipe that can be used with this connection.

\*\* Meter swivel nuts are regularly furnished with a saddle feature to aid in meter installation and removal. A plain swivel nut is available as an option by adding a suffix of -1 to the catalog number.



No.	QTY.	DESCRIPTION	MATERIAL
1	1	RUBBER GASKET	NITRILE D2000
2	1	COUP. NUT	CAST BRASS ASTM B62 ALLOY C83600
3	1	TAILPIECE	LOW LEAD BRASS ALLOY C89833



METER COUP. SIZE	A	MIP SIZE
5/8 x 1/2	2.375	1/2
5/8 x 3/4 x 3/4	2.500	3/4
1	2.625	1



NOTE: ALL WETTED PARTS ARE LOW LEAD BRASS ALLOY

FILEPATH: PRODD-ENG\MUELLER\ASYSUBMITTALS\H10890N		DRG TRJ   Gar-vir   9/17/09			
CHKR	ENGR	MGR	BY	DATE	UNLESS OTHERWISE NOTED SURFACE PREPARATION: --- .000 BREAK CORNERS: --- .000 RMS SURFACE FINISH: --- .000 RMS TOLERANCE(S): LINEAR: --- ± .000 ANGULAR: --- ± 0'00"
REV	ECR	DESCRIPTION	DATE	BY	SCALE
		PER EST NO. DXXXX EST FIN WT = 0.0000 lbs			NDNE
TITLE AND OWNERSHIP OF THIS ENGINEERING DRAWING IS THE PROPERTY OF Mueller Co. AS SPECIFICALLY AUTHORIZED BY Mueller Co. ASSISTANT IN THE PART OF THE RECIPIENT TO THESE CONDITIONS IS PRESUMED				THIRD ANGLE PROJECTION REF. No. SCALE NONE	
DWG NUMBER H10890N				DWG NUMBER H10890N	
STRAIGHT METER COUPLING LOW LEAD BRASS (METER x MIP)					

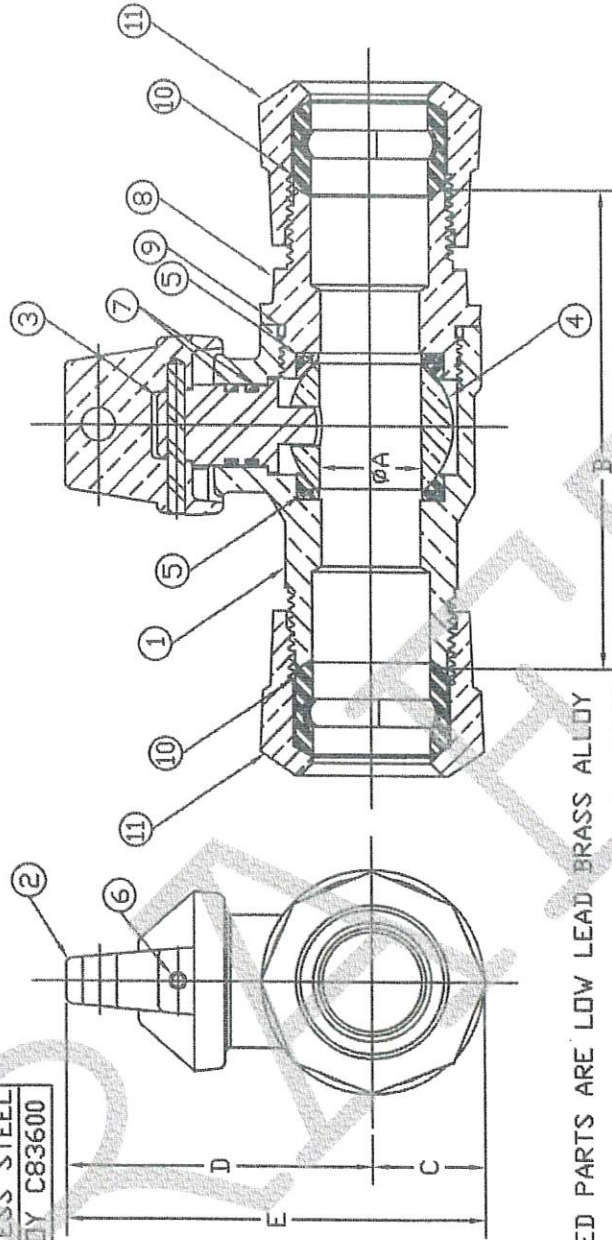
DWG NUMBER  
H10890N

44-MRKTG



No.	DESCRIPTION	MATERIAL DESCRIPTION
1	BODY	CAST LOW LEAD BRASS ALLOY
2	CAP	CAST BRASS ASTM B62 ALLOY C83600
3	STEM	LOW LEAD BRASS ALLOY
4	BALL	LOW LEAD BRASS ALLOY
5	GASKET	ASTM D2000 (NITRILE)
6	SOLID PIN	AISI 303 STAINLESS STEEL
7	O-RING	ASTM D2000 (EP)
8	END PIECE	CAST LOW LEAD BRASS ALLOY
9	O-RING	ASTM D2000 (EP)
10	CTS GASKET SUB	ASTM D2000(SBR)&410 STAINLESS STEEL
11	CONNX NUT	CAST BRASS ASTM B62 ALLOY C83600

SIZE	ØA	B	C	D	E
3/4"	.63	3.44	.75	2.12	2.87
3/4"	.75	3.59	.84	2.12	2.96
1"	.75	4.00	.84	2.12	2.96
1"	1.00	5.03	1.15	2.32	3.47
1x3/4"	.75	3.78	.84	2.32	3.16
1 1/2"	1.50	5.06	1.50	3.37	4.87
1 1/2x2"	1.50	5.04	1.50	3.37	4.87
2"	2.00	5.52	1.82	3.92	5.74



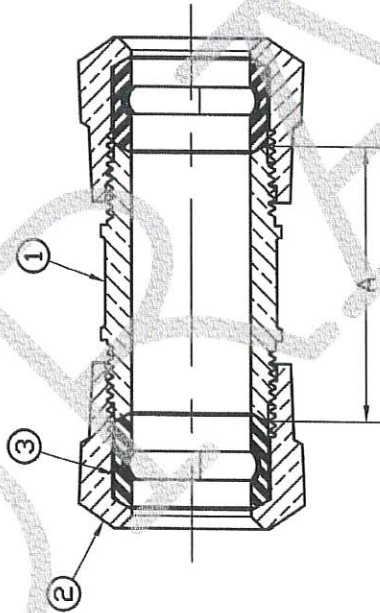
NOTE: ALL WETTED PARTS ARE LOW LEAD BRASS ALLOY

FILEPATH: PROD-ENG/MUELLER/ASYS/INITIALS/B25209N

		THIRD ANGLE PROJECTION 
UNLESS OTHERWISE NOTED SURFACE PREPARATION --- .000 RMS SURFACE FINISH --- XXX RMS TOLERANCES --- LINEAR --- ± .000 ANGULAR --- ± 0'00"	REF. No. SCALE FULL	REF. No. SCALE FULL
DWT/GRV/IN 8/2/11 CHKR ENGR MGR	BY DATE	STR. No MAT'L DESCR.
REV EST NO X-XXXX	DESCRIPTION DATE	BY CHKR PER EST NO X-XXXX EST FIN WT = 0.0000 lbs
PART NUMBER <b>B25209N</b>		PART NUMBER <b>B25209N</b>
INLINE BALL CURB VALVE LOW LEAD BRASS (110CTS x 110CTS)		INLINE BALL CURB VALVE LOW LEAD BRASS (110CTS x 110CTS)

42-HR/TS  
B25209N

No.	QTY.	DESCRIPTION	MATERIAL
1	1	SPUD	CAST LOW LEAD BRASS ALLOY
2	2	CONN. NUT	CAST BRASS ASTM B62 ALLOY C83600
3	2	CTS GSKT SUB	SBR D2000 - GSKT 410ss - BAND



SIZE	A
1/2	1.625
1/2x3/4	1.950
5/8	1.656
5/8x3/4	1.750
3/4	2.062
1	2.406
1x3/4	1.835
1-1/4	2.375
1-1/4x1	2.154
1-1/2	3.312
1-1/2x1	2.840
2	3.375

**NOTE: ALL WETTED PARTS ARE LOW LEAD BRASS ALLOY**

FILEPATH: PROD-ENG\MUELLER\ASYSUBMITTALS\H15403N

DRFTR	Garvin	12/21/09			
CHKR					
ENGR					
MGR					
BY		DATE			
STK No					
MAT'L					
DESCR.					
REV	ECR	DESCRIPTION	DATE	BY	CHKR
PER EST NO. DXXXX EST FIN WT = 0.0000 lbs					



UNLESS OTHERWISE NOTED	THIRD ANGLE PROJECTION
SURFACE PREPARATION: --- .000	
BREAK CORNERS: --- XX RMS	
SURFACE FINISH: --- XX RMS	REF. No.
TOLERANCES: --- ± .000	SCALE
LINEAR: --- ± 0'00"	NONE
ANGULAR: --- ± 0'00"	

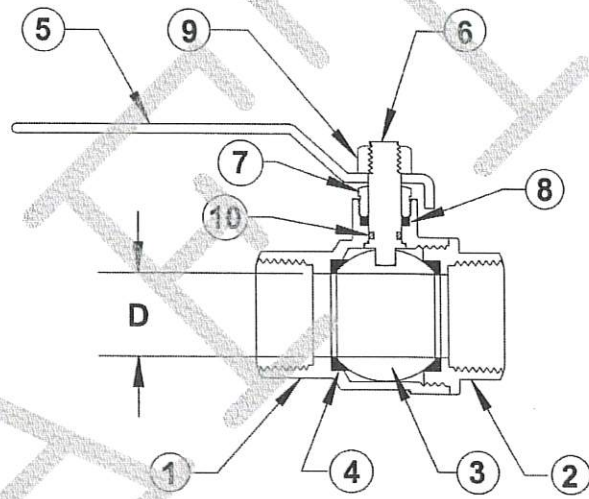
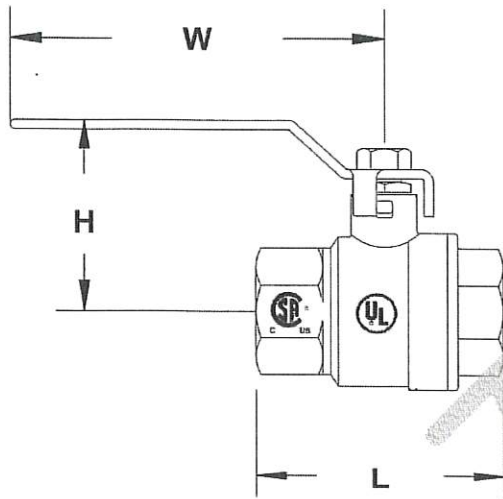
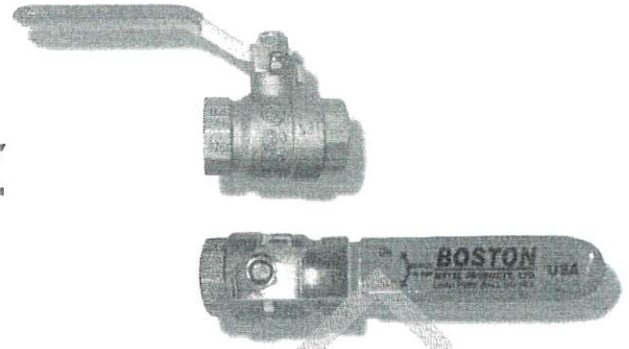
PART NUMBER  
H15403N

4<sup>2</sup>-MRKTG

STRAIGHT SERVICE FITTING	PART NUMBER
LOW LEAD BRASS (110 CTS x 110 CTS)	H15403N

# BLF9101 SERIES LEAD FREE FORGED BRASS BALL VALVE

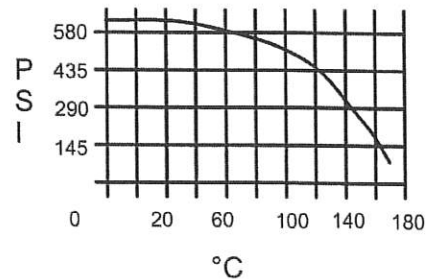
A forged brass quarter turn valve, 600 WOG / 150WSP rated, two piece, full port, with female NPT end connections. Valve is CSA certified to be lead free, and conform to CGA3.16 and ASME B16.33 for gas service.



## DIMENSIONS

CAT. NO.	SIZE	L	D	H	W
BLF0259101	1/4	1.67	.39	1.71	3.35
BLF0380101	3/8	1.72	.39	1.71	3.35
BLF0509101	1/2	2.13	.59	1.77	3.35
BLF0759101	3/4	2.36	.75	2.08	4.35
BLF1009101	1	2.80	.98	2.20	4.35
BLF1259101	1 1/4	3.29	1.26	2.50	5.65
BLF1509101	1 1/2	3.70	1.57	2.70	5.65
BLF2009101	2	4.13	1.97	3.23	5.65

## PRESS. VS. TEMP. CURVE



## MATERIAL LIST

NO.	PART NAME	BLF SERIES
10	O-RING	VITON
9	NUT	ZINC PLATED STEEL
8	STEM PACKING	PTFE
7	GLAND NUT	BRASS C37700
6	STEM	TYPE 304 SST
5	HANDLE	ZINC PLATED STEEL, PLASTICOATED
4	SEAT	PTFE
3	BALL	TYPE 304 SST
2	END CAP	BRASS C46400
1	BODY	BRASS C46400

BOSTON METAL PRODUCTS, LTD. - 25 THURBER BLVD., UNIT #3 - SMITHFIELD, RI 02917  
TOLL FREE: 1-800-839-0013, TEL: 401-231-8537, FAX: 401-231-8491  
WWW.BOSTONVALVE.COM