



PROJECT QUOTE

1279 Hazelton-Etna Road SW
 Pataskala, OH 43062
 614-855-3790
 www.midstatesrecreation.com

Quote # PQ000666
 Quote Date 6/11/2026
 Valid Until 8/1/2026
 Sales Person Brion Kilpela
 Drawing Nbr.:
[Project.:](#)

C000001346

SOLD TO:	SHIP TO:
MI Grosse Pointe Woods Grosse Pointe Woods 20025 Mack Ave Grosse Pointe Woods, MI 48236	MI Grosse Pointe Woods Ghesquiere Park 19955 Mack Ave Grosse Pointe Woods, MI 48236

ITEM	QTY	UOM	RATE	AMOUNT
COVERWORX 01: Coverworx NOTES: GA-2024-SW Steelworx Gable 20'x24', 4 Post Design w/ 4:12 Slope w/ 8'0" low eave, w/ Polyester Powder Coated Frame w/ 24 ga MultiRib Precut Metal Roofing Frame Color:? Roof Color:?	1.0	EA	\$21,985.00	\$21,985.00
COVERWORX 02: Sealed Drawings	1.0	EA	\$1,000.00	\$1,000.00
COVERWORX FREIGHT: Coverworx Freight; Shipping Charges are estimated and are subject to actual shipping charges incurred at time of shipment.	1.0	EA	\$1,250.00	\$1,250.00
INSTALLATION 01: Installation Charges NOTES: Installation Charges: Take delivery of shelter Provide (4) 30"x60" reinforced footings. Erect pavilion listed above. Haul footing spoils off site. Site work, concrete pad and restoration by others.	1.0	EA	\$25,650.00	\$25,650.00
NOTES: Notes NOTES: Proposal does not include site plan, soil borings, permitting or third party inspections. Footing size is estimated and cost may change based on final footing design. Dewatering is not included. If ground water is encountered it will need to be assessed at that time. Lead time for shelter approx 24-25 weeks form receipt of purchase order.	1.0	EA	\$0.00	\$0.00
			Subtotal	49,885.00
			Tax Total	0.00
			Total	49,885.00

Acceptance of Proposal

(Please be sure you have read, signed, and initialed and understand the terms and conditions) The items, prices, and conditions listed herein are satisfactory and are hereby accepted.

Signature (Approval) _____

Printed Name _____

Title _____

Date _____

TERMS AND CONDITIONS

QUOTE CONDITIONS AND ACCEPTANCE:

This quote is only valid until: 7/11/2026 12:00:00 AM.

*** _____ (Pls Initial)

It is the Buyer's responsibility to verify quantities and description of items quoted. Once your order has been placed, any changes including additions, deletions, or color changes, could result in price increases, additional fees and could cause delays.

EXCLUSIONS:

Unless specified, this quote excludes all of the following but not limited to:

- Required Permits/Inspections
- Background Checks
- Davis Bacon
- Prevailing Wage or Certified Payroll
- Performance/Payment Bonds Site Restoration Site work
- Saw cutting/core drilling, and landscaping
- Removal of existing equipment Unloading
- Receiving of inventory or equipment
- Storage of equipment
- Equipment assembly and/or installation Safety surfacing
- Borders or drainage requirements
- Landscaping Repairs due to poor access or in inclement weather

FREIGHT AND DELIVERY: (if applicable)

*** _____ (Pls Initial)

Shipping is FOB Origin (means the buyer accepts the title of the goods at the shipment point and assumes all risk once the seller ships the product). All equipment will arrive unassembled. Buyer is responsible to meet and provide adequate personnel/equipment to unload truck. A Check List, detailing all items shipped, will be included with the shipment. Unless taking delivery is specifically included in quote. Buyer is responsible for ensuring the Sales Order Breakdown and Item Numbers on all boxes and pieces match the Check List.

*** _____ (Pls Initial)

Shortages or damages must be noted on the driver's delivery receipt. Shortages or damages not noted become the buyers financial responsibility.

Please notify Midstates Recreation immediately of any damages.

Shortages and Concealed Damage must be reported to Midstates Recreation within 10 days of delivery.

A reconsignment fee will be charged for any changes made to delivery address after order has been placed.

TAXES:

All orders are subject to applicable sales tax unless a tax exemption form is on file at the time the order is placed.

PAYMENT TERMS:

An approved Credit Application is required for new customers or customers that haven't been active in the last 18 months. Terms are check with order, or 50% down payment with approved credit (terms do vary based on references). Balance of product & freight will be invoiced upon shipment, due Net 10 days. 100 % prepayment required on Replacement Parts. A 3% charge will be added to all credit card orders over \$ 3,000.

For all non-taxpayer-funded entities: A 1.5% monthly service charge will be assessed on all balances over 30 days.

RESTOCKING:

Items canceled, returned or refused will be subject to a minimum 25% restocking fee. All return freight charges are the responsibility of the Buyer.

MAINTENANCE/WARRANTY:

Manufacturer`s standard product warranties apply and cover equipment replacement and freight costs only; labor is not included. Midstates Recreation offers no additional warranties.

Maintenance of the equipment and safety surfacing is the responsibility of the customer. Any unauthorized alterations or modifications to the equipment (including layout) will void your warranty.

Site Preparation & Third-Party Work Disclaimer:

If excavation, grading, or material placement is performed by a party other than Midstates Recreation, **all work must be coordinated with Midstates Recreation to ensure alignment with project requirements.**

If excavation, grading, or material placement is performed by a party other than Midstates Recreation, all work must be coordinated with Midstates Recreation to ensure alignment with project requirements.

We are not responsible for any delays, performance issues, or additional costs resulting from improper compaction, grading, or site preparation by others. Any deficiencies in third-party work that impact our ability to install as specified may require correction at the owner`s expense.

INSTALLATION: (if applicable)

Spoils are to remain onsite. Permits/inspections are the owner`s responsibility and associated costs.

Customer must locate all underground private utilities before your scheduled installation.

A third-party private utility service can be provided at an additional cost if necessary. Additional charges may apply if obstruction(s) are encountered beneath the surface. Not responsible for damaged/broken parts on existing playground equipment. Not responsible for crossing sidewalks.

Acceptance of Terms & Conditions

Acceptance of this proposal, made by an authorized agent of your company, indicates agreement to the above terms and conditions.

Customer Signature

Printed Name and Title

Date



10 Year Limited Warranty

Coverworx-Recreational Architecture, a division of Ross and Barr, Inc. (hereinafter "Coverworx") warrants that the structure or product purchased will be free from defects in materials and workmanship under normal use for period of ten (10) years from the delivery date. The entire liability of Coverworx and its suppliers, and the exclusive remedy shall be for Coverworx to repair and replace materials found to be defective. The repair or replacement of materials shall be at the expense of Coverworx. This limited warranty applies to all product(s) under normal use and is void if any damage has resulted from abnormal use, abuse, accident, vandalism, poor or careless installation, lack of maintenance, misapplication, service or modifications by someone other than Coverworx or its suppliers. This warranty excludes color fading within ten (ten) nautical miles of any area retaining salt water or brackish water. Any replacement part under warranty is warranted for the remaining original warranty period or 1 year, whichever is longer.

Steel roof finish shall be warranted for 20 years under a separate roof manufacturer's warranty. Powder coat paint shall be warranted for 10 years after acceptance from owner against peeling, flaking, and rusting under normal use and conditions as described above.

In the event of a defect claim, Coverworx shall be notified in writing within (thirty) 30 days from discovery, no later than thirty (30) days from the receipt of the notice. Coverworx management will determine whether to repair or replace defective materials and respond in writing to advise how Coverworx will proceed on the warranty claim. Coverworx disclaims all other warranties, express or implied, including but not limited to, implied warranties of merchantability and fitness for a particular purpose for the product and any accompanying materials required for installation. Coverworx will not be liable for any damages arising out of the use or inability to use the product, regardless of whether notification of such damages has been given.

11800 East 9 Mile Road, Warren, MI 48089
(586) 759-5490 Office (586) 754-9130 Fax (800) 657-6118 Toll Free
www.Coverworx.net info@coverworx.net

Model: Steelworx Gable Shelter, 20' x 24'
Model # GA-2024-SW

Manufacturing Mission: To provide all prefabricated components and installation instructions for a 20' wide (measured from eave to eave) by 24' long free standing bolt together, tubular steel constructed shelter kit.

Design Criteria: Structure shall be designed to meet site specific snow and wind load design criteria using most current applicable building codes. All structural members are ASTM A-500 U.S. grade B steel. Welded connection plates shall be ASTM A-36 hot rolled steel. All fabrication performed to latest AISC standards by AWS Certified welders. All framing connections are done using A325 grade bolts within concealed access openings from above and will later be concealed by the roofing. All roof framing shall be flush against the roof decking to eliminate the possibility of bird nesting.

Tubular Steel Columns and Beams: Standard column dimension shall be 5" x 5" x 3/16" tubular steel welded to 5/8" base plates for surface mounting. Main support beams are 7" x 5" x 3/16" and purlins are 6" x 4" x 1/8". Steel sizes are preliminary and may change due to ongoing review and final engineering.

Roofing: 24 Ga. pre-cut steel Multi-Rib panels with Kynar 500 finish in a variety of colors with white underside. Standard roof slope is a 4/12 pitch with a eave height of 8'-0". Attached to structural frame with exposed screws painted to match roof color. Matching 24 Ga. trim included.

Frame Finish: All steel framework will receive a corrosion protective TGIC Polyester powder coat, electro-statically applied and cured at 400°F. A large selection of standard colors are available.

Foundation: All columns need to be anchored to concrete footings (footing design provided separately). Columns can be surface mounted with anchor bolts at or below finish slab elevation or they can be embedded directly into the footing. Optional base plate covers are available at an additional cost.

Hardware: All structural hardware and roofing fasteners shall be provided.

Warranty: 10 years against manufacturer defects.

Not Included: Concrete work of any kind, unloading of product and installation.

Frame Color: _____ Roof Color: _____

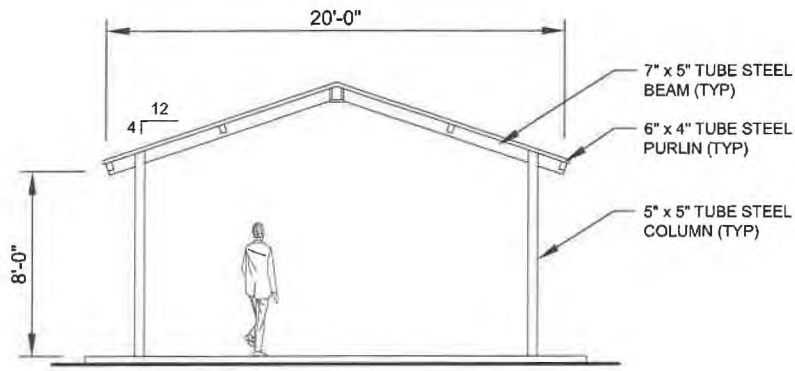


11800 East 9 Mile Road
Warren, MI 48089
Office: (586) 486-1088
Fax: (586) 754-9130
Toll Free: (800) 657-6118
Email: info@coverworx.com
www.CoverWorx.com

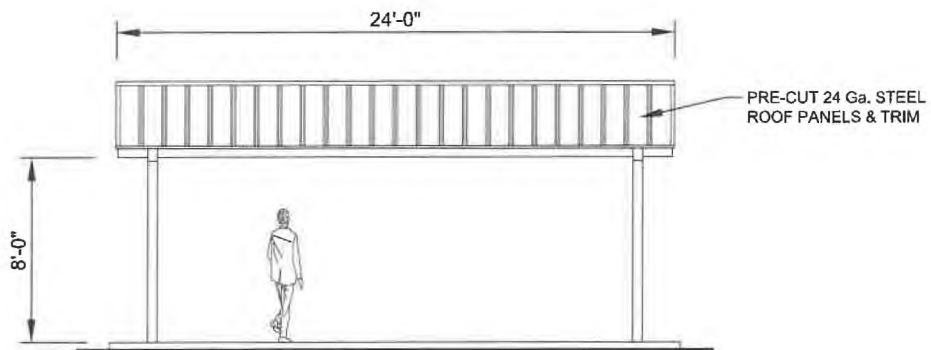
Steelworx Gable Shelter - 20' x 24'

Model: GA-2024-SW

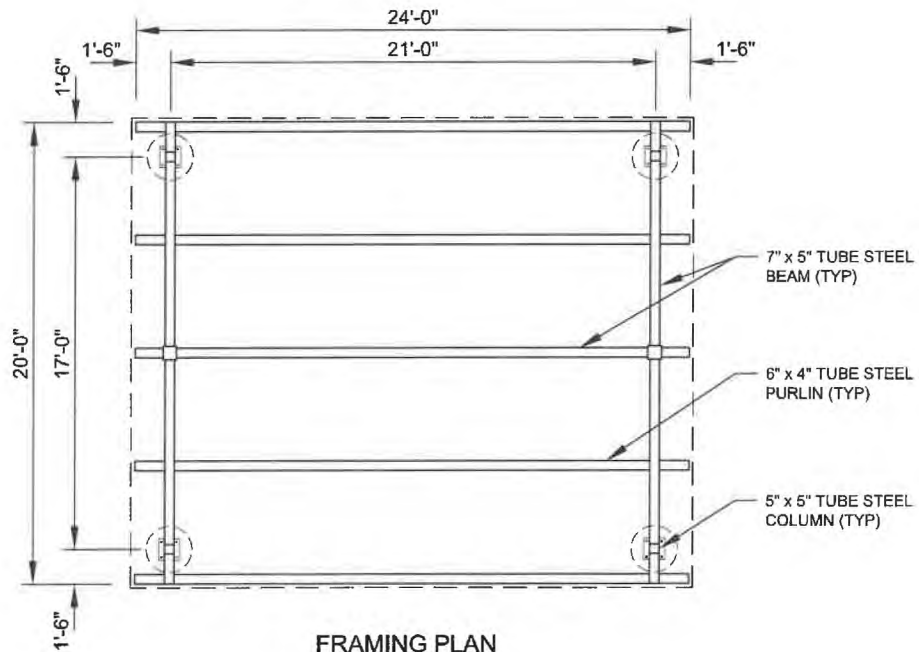
DESIGN SPECIFICATIONS



FRONT ELEVATION
SCALE: NTS



SIDE ELEVATION
SCALE: NTS



FRAMING PLAN
SCALE: NTS



11800 East 9 Mile Road
Warren, MI 48089
Office: (586) 486-1088
Fax: (586) 754-9130
Toll Free: (800) 657-6118
Email: info@coverworx.com
www.CoverWorx.com

Steelworx Gable Shelter - 20' x 24'

Model: GA-2024-SW

DESIGN SPECIFICATIONS



Steelworx

COLOR

COLORS & OPTIONS

At Coverworx, we offer an extensive palette of colors for our Steel Frame, Metal Roof, and Trim work panels, giving you the freedom to create a look that's uniquely yours. Whether you're aiming for a classic, modern, or entirely bespoke style, our range of options allows you to mix and match frame finishes and metal roof colors to perfectly complement your project.

Explore our selection to find the ideal combination that meets your aesthetic preferences and practical needs. Our team is dedicated to helping you achieve the exact look you envision.

For custom color requests or to discuss specific design details, please reach out to our expert Coverworx sales staff. We're here to provide you with all the information you need and to guide you through the process of crafting a distinctive and stylish outcome for your project.



Metal Roof Colors*

*Colors are representational. Actual colors may vary. Contact us to discuss custom color options.



Roman Blue



Patrician Bronze



Copper Penny



Mansard Brown



Surrey Beige



Galvalume Plus



Brandywine



Medium Bronze



Evergreen



Ash Gray



Tudor Brown



Bone White



Champagne Metallic



Regal Blue



Almond



Bright Red



Dark Bronze



Leadcoat



Terra Cotta



Charcoal



Slate Gray



Hartford Green



Colonial Red



Silver Metallic



Regal White



Buckskin



Patina Green



Texas Silver Metallic



Sandstone



Matte Black



Preweathered Galvalume



Steel Roof Panel Colors

Steel roof panels come in a variety of colors and options to fit different aesthetic and functional needs.

All roof panels are Galvalume coated 24 ga. steel with a white bottom and a 20 year warranted Kynar 500 top finish available in a variety of colors. Panels are fastened to frame with either exposed painted screws or concealed clips as with standing seam panels. Some panels may have color limitations. Fiberglass shingles are available upon request.



Steel Frame (Powder Coat) Colors*

*Colors are representational. Actual colors may vary. Contact us to discuss custom color options

 Hartford Green	 Regal White	 Colonial Red	 Timber Tan	 Surrey Beige
 Brandywine	 Clay	 Medium Bronze	 Patrician Bronze	 Brite Red
 Evergreen	 Dark Bronze	 Autumn Red	 Bone White	 Tudor Brown
 Roman Blue	 Mansard Brown	 Slate Gray	 Sandstone	 Charcoal
 Matte Black	 Light Stone	 Patina Green	 Ash Grey	 Regal Blue
 Buckskin	 Almond			

Note: An optional super durable TGIC and graffiti resistant TGIC color or clear coat is available for an upcharge.

Custom RAL Powder colors available

Frame only



Choose from over 100 color options to fit your exact requirements!

Powder coating with zinc rich primer and TGIC polyester



Shot blasted steel with factory applied zinc rich primer and TGIC Polyester (2.5 – 3.5 mil thickness on exterior).

Powder Coat Application Process



Surface Preparation

SPG commercial blast to a profile of 1.0 mil.

Prime Coat

Zinc-rich epoxy primer is applied to a 2.5 – 3.5 mil thickness and then baked at 350°F for 20 minutes to gel the primer. This doesn't completely cure the primer; so when the top coat is applied, it allows the primer and top coat to cross-link for better adhesion.

Top Coat – TGIC Polyester applied to a 2.5 – 3.5 mil thickness and baked at 400°F