



# Grosse Pointe Woods-Shores Little League

Founded 1954 - Williamsport 1979, 2013, 2017, 2018

## GPWSLL Dugout Proposal – Field #1 – Spring 2023.

3/8/2023

- Presented by Mark Benner – GPWSLL Vice President
- Building Specifications:
  - (2) New Dugouts for Field #1
  - Post and Fence color to be BLACK.
  - Roof color to be BLACK.

<u>Item Number</u>	<u>Unit</u>	<u>Ordered</u>	<u>Shipped</u>
120-875-860	EACH	2.0	0.0

DUGOUT 8' X 8' X 20'

NORTHERN US

26 GAUGE GAL. METAL ROOF PANEL &  
STEEL SUPPORT COLUMNS ARE POWDER COATED

POWDER COATED STEEL FRAME COLOR OPTIONS (CHOOSE 1)  
BLACK (TBD)

METAL ROOF COLOR OPTIONS (CHOOSE 1)  
HAWAIIAN BLUE (TBD)

\*COLORS MUST BE DECIDED BEFORE MANUFACTURING TIMELINE WILL BEGIN.

115-855-055	EACH	4.0	0.0
-------------	------	-----	-----

ELITE DUGOUT BENCH (MFR. #ELTE)

- 2-TIERED PLAYER BENCH

- 34-3/8" H X 7-6" W X 29" D OVERALL SIZE

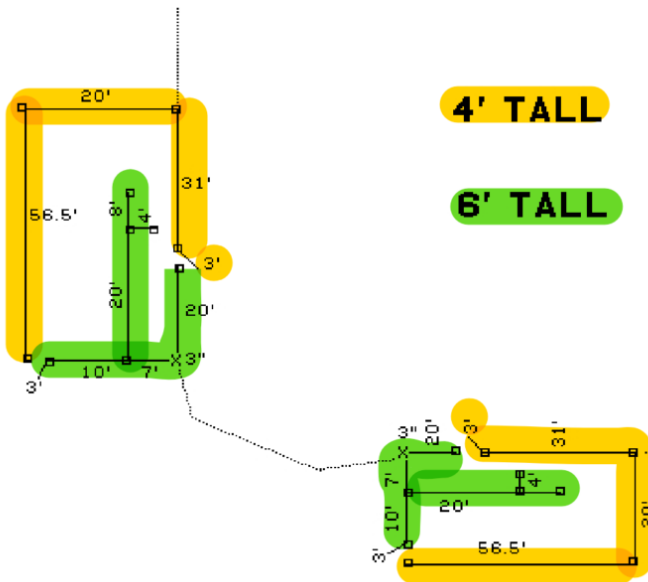
- COMPOSITE DECKING LOWER SEAT & BACKREST

- BENCHES ARE FREESTANDING, BUT CAN BE BOLTED TO THE WALL FOR STABILITY

- PAINTED FINISH - COLOR T.B.D.

Install 4' tall and 6' tall black vinyl chain link fence, commercial grade. Both to have  
- bottom rail, 6' tall to have mid rail as well.

Bleachers & Benches > Dugouts



**CONTACT BEACON**  
800-747-5985 | fax 608-836-0724  
Mon-Fri 7am-5pm (Central)  
8233 Forsythia St STE 120  
Middleton WI 53562



## Team Dugouts

**These prefabricated steel roof dugouts provide sun and shelter** to your players and are designed to meet International Building Code (IBC) specifications for wind and snow load. These 10 ft deep dugouts are constructed of maintenance-free materials and come in three standard length — 20, 30 or 40 ft — with custom sizes available.

## Team Dugouts

Very quick and very easy.

**These prefabricated steel roof dugouts provide sun and shelter to your players** and are designed to meet International Building Code (IBC) specifications for wind and snow load. The size, spacing, and height of the support posts are coordinated with fencing industry standards and are adaptable to masonry and concrete wall systems.

**These 10 ft deep dugouts are constructed of maintenance-free materials** and come in three standard lengths — 20, 30 or 40 ft — with custom sizes available. The roof framing and support posts can be powder-coat painted in several colors. **Consider wrapping these dugouts** with chain link fence and team colored windscreen panels featuring a printed logo to promote team pride and provide player/coach privacy (*optional, windscreen not included*).

Designed to mount directly to a concrete slab, no footings required, making the install very economical. **Contact us** for information regarding special high-wind and heavy-snow load designs. **MINIMUM ORDER of 2 dugouts.**

### PRODUCT FEATURES

- Heavy duty 3" OD schedule 40 **galvanized steel pipe posts** with 3" x 3" x 3/8" thick base plates
- 29 gauge **corrugated** white powder-coat painted steel roof panels
- Durable **powder-coat finish roof framing**, available in team colors
- **Corrosion-resistant hardware** fasteners included
- **10' deep dugouts** constructed of **maintenance-free materials** in three standard lengths — 20, 30 or 40 ft

**Install Location at Field #1**



**New Dugout and fencing replaces brown wooden existing structures.**

