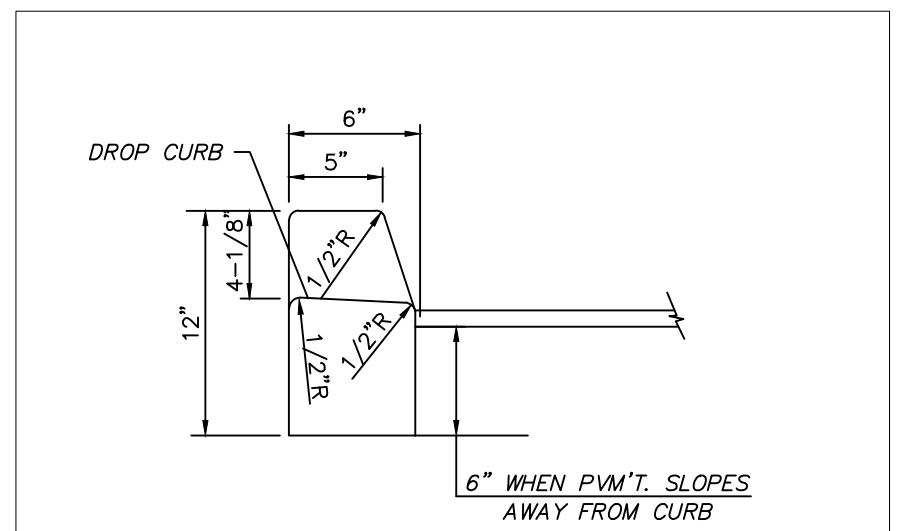
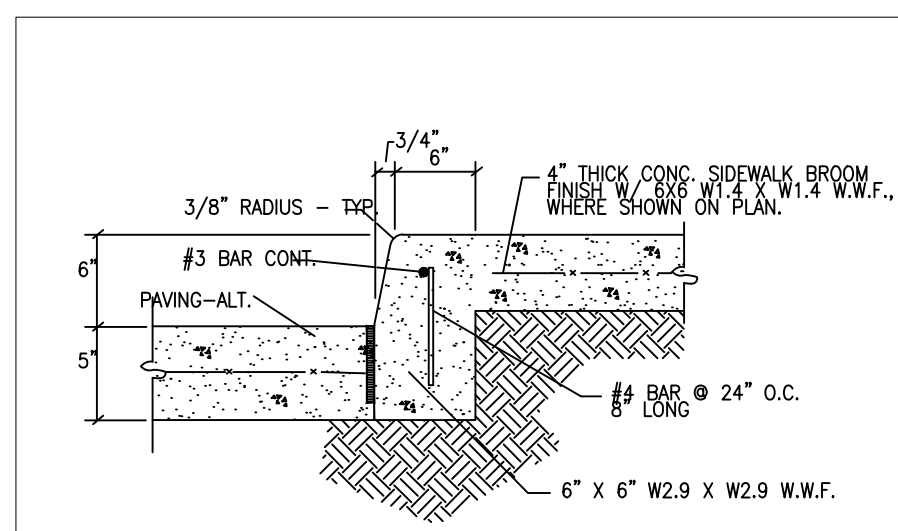


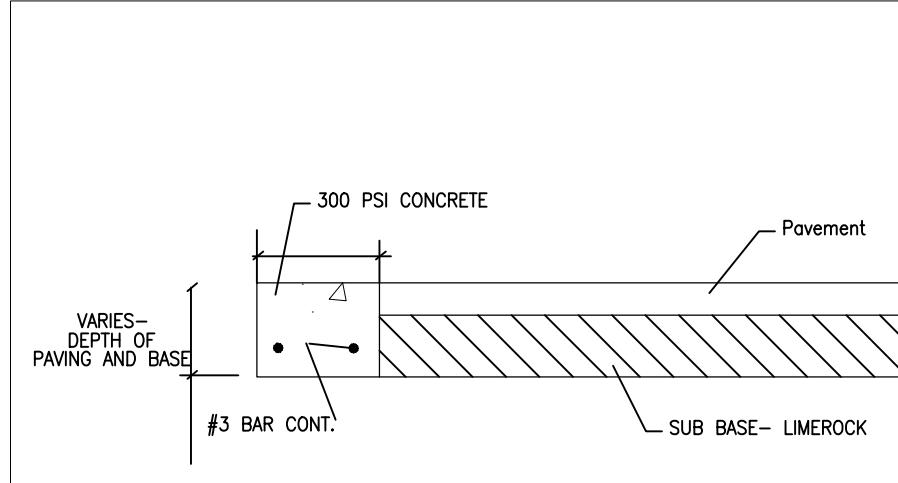
CONCRETE- CURBS- 1 1/2" ASPHALT PAVING
SIDEWALKS WILL BE CONCRETE WITH BROOM
FINISH OR CONCRETE PAVERS



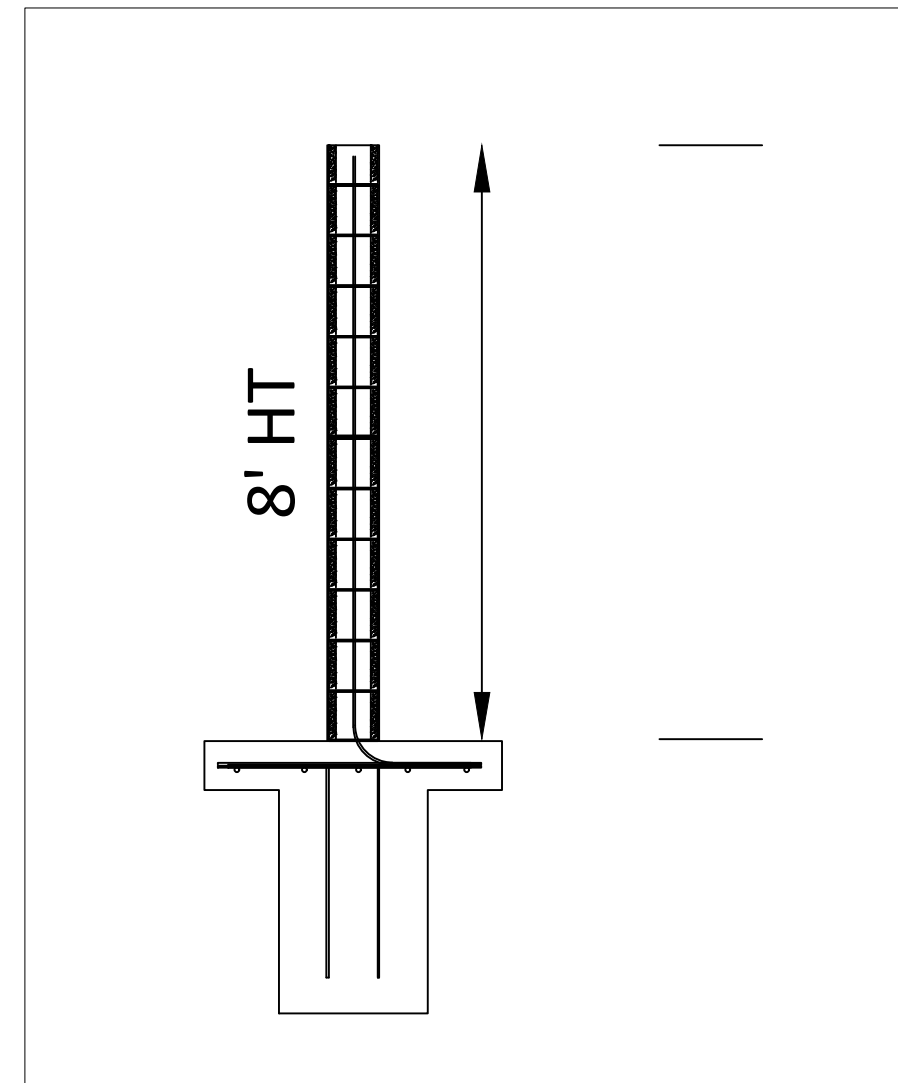
6" CURB DETAIL
NOT TO SCALE



TURN DOWN CURB



RIBBON CURB



PROPERTY LINE WALL - 8' HT

**CYPRESS MANAGEMENT
AND DESIGN**
P.O. BOX 8880 FLEMING ISLAND, FL 32006
904-759-9576 --- SITEOPT@BELLSOUTH.NET

DATE	REVISIONS
5-17-2023	SITE PLAN REVISION-1
6-9-2023	

**KNIGHT CENTER
SITE LAYOUT PLAN
PRELIMINARY SITE PLAN**

DATE: 5-9-2023
DRAWN BY:
CHKD. BY:
JOB NO.:

ROBERT HARTWIG
LA 0012

SHT: **LC-3**

SEE ADDITIONAL DETAILS LC-8 AND LC-9