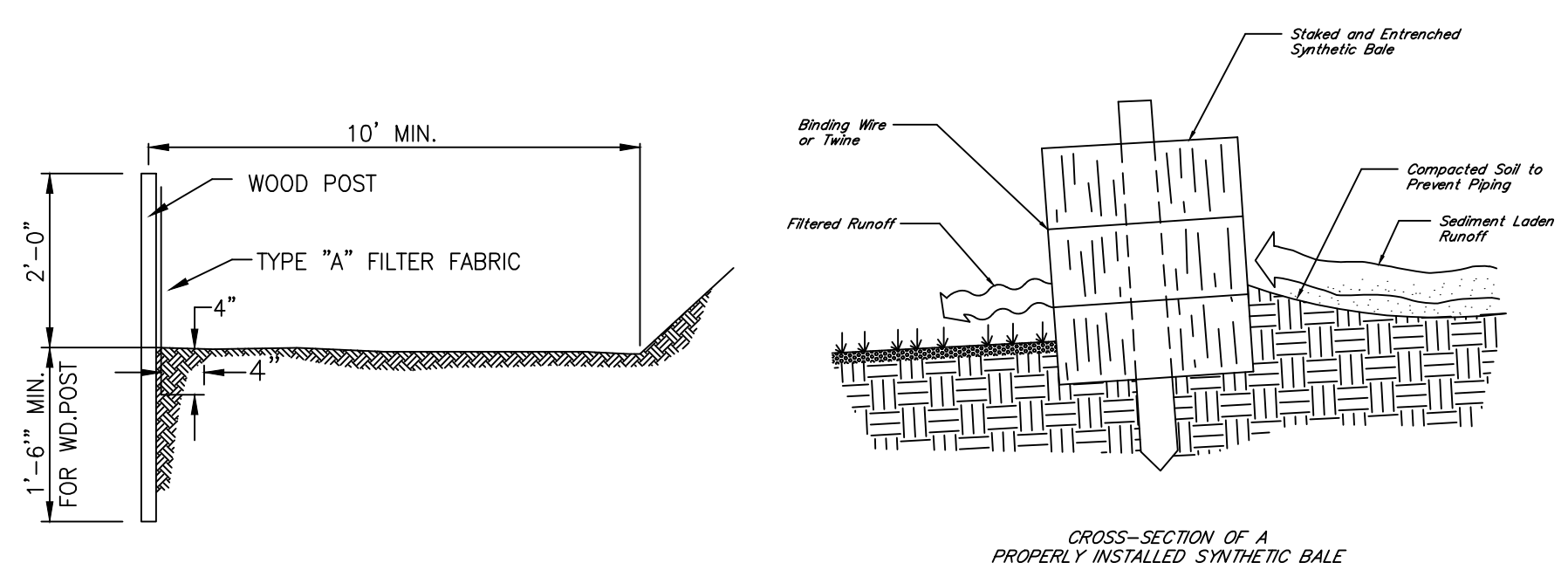
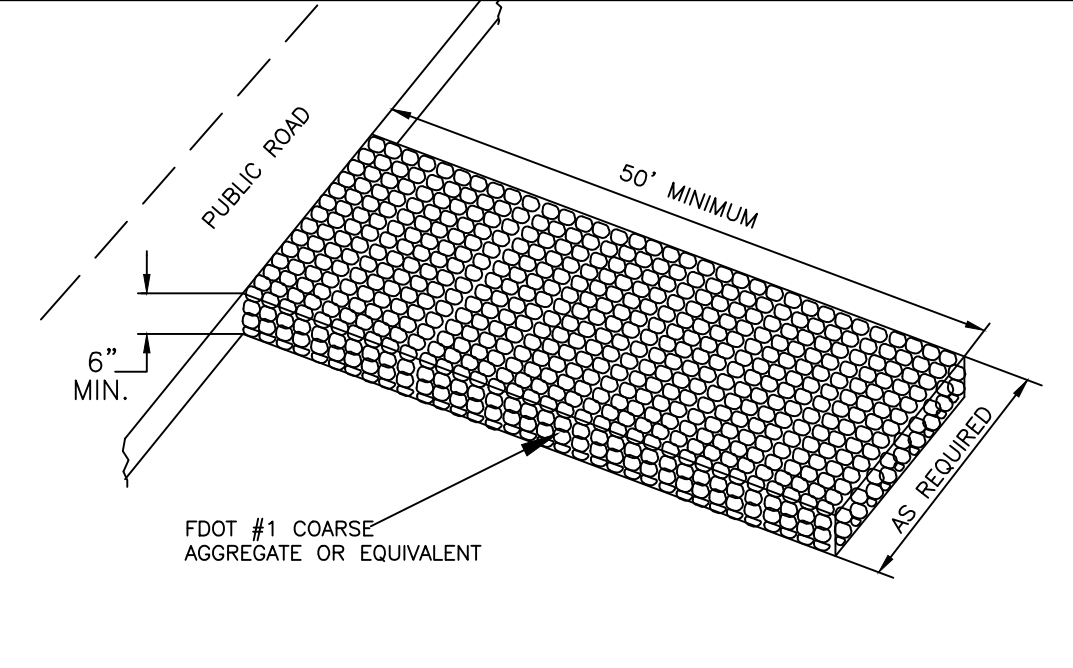


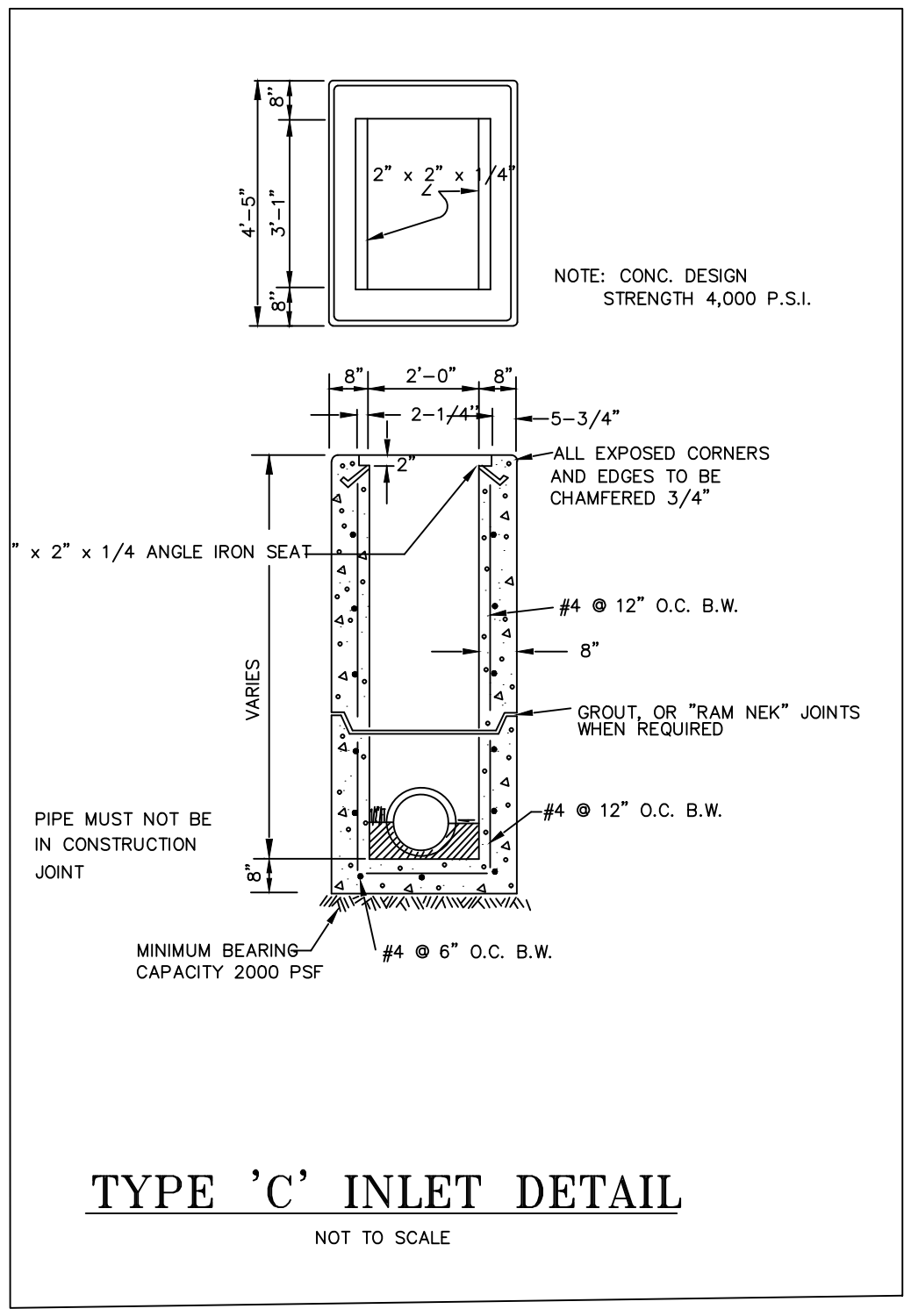
**TEMPORARY SILT FENCE**



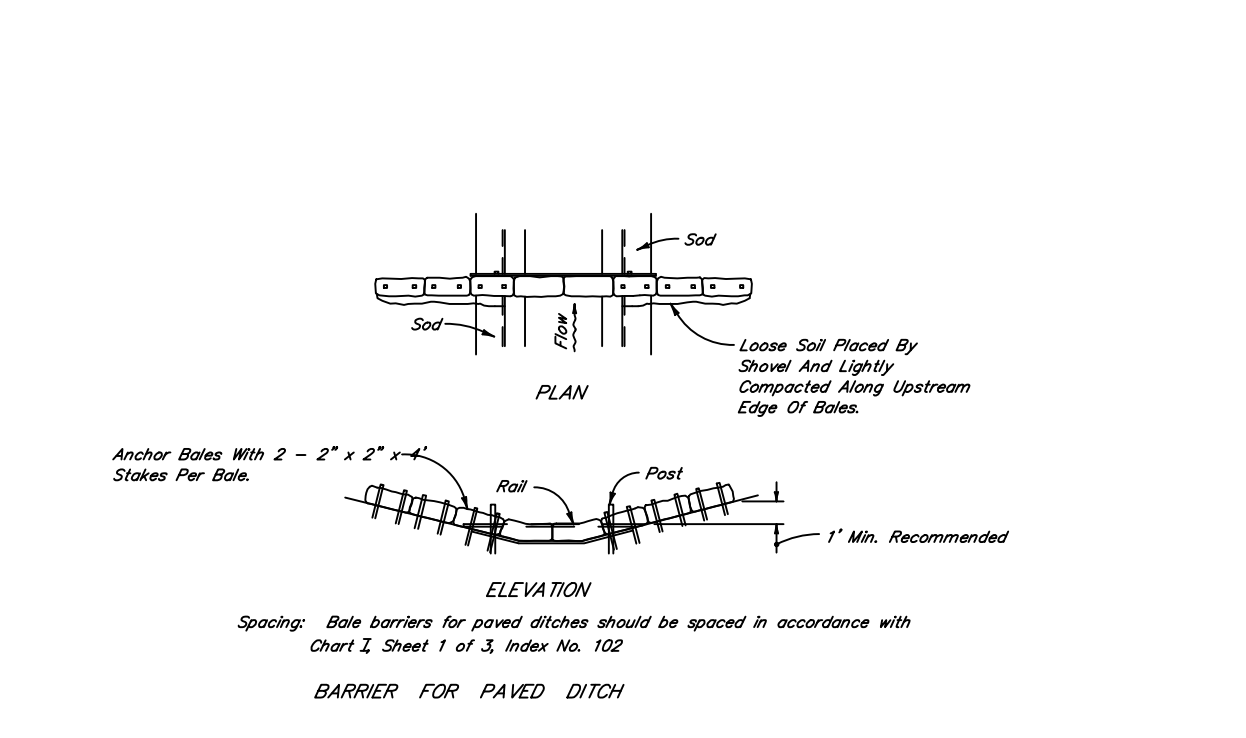
**STAKED EROSION CONTROL BALE**



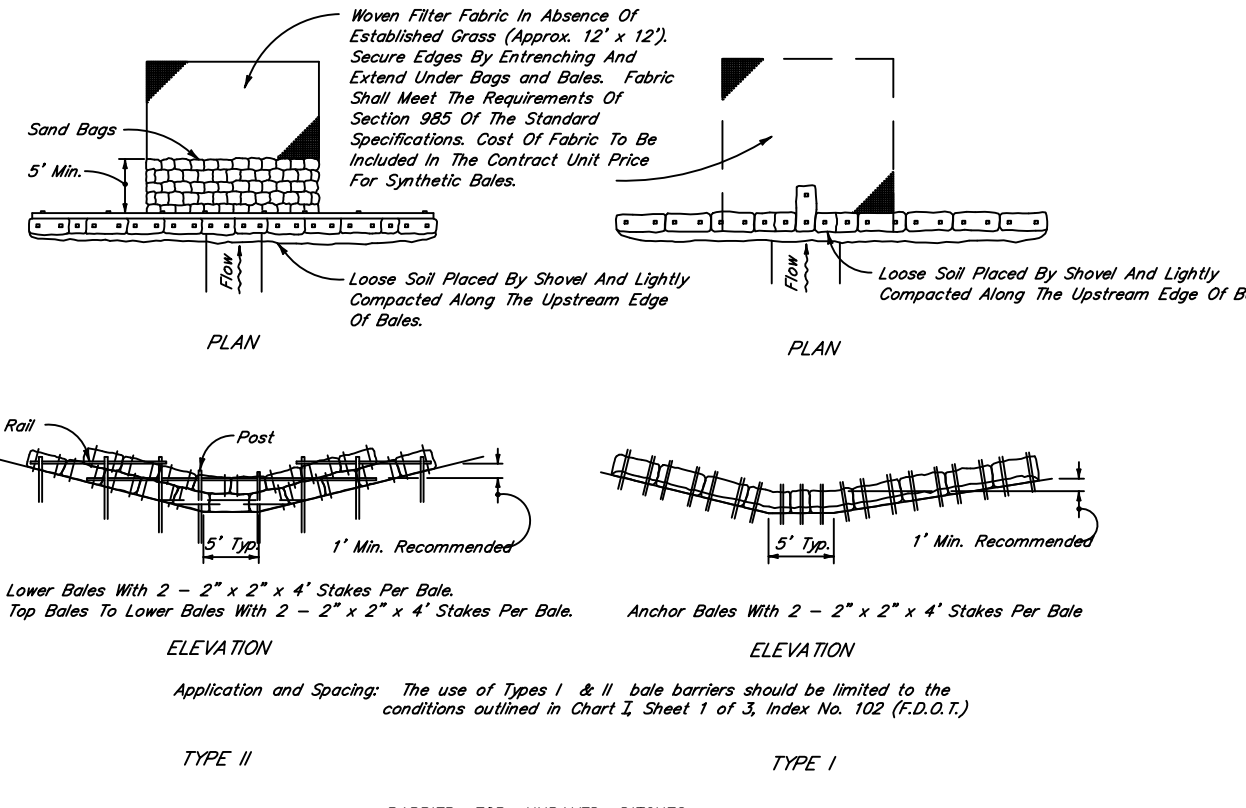
**STABILIZED CONSTRUCTION ENTRANCE**



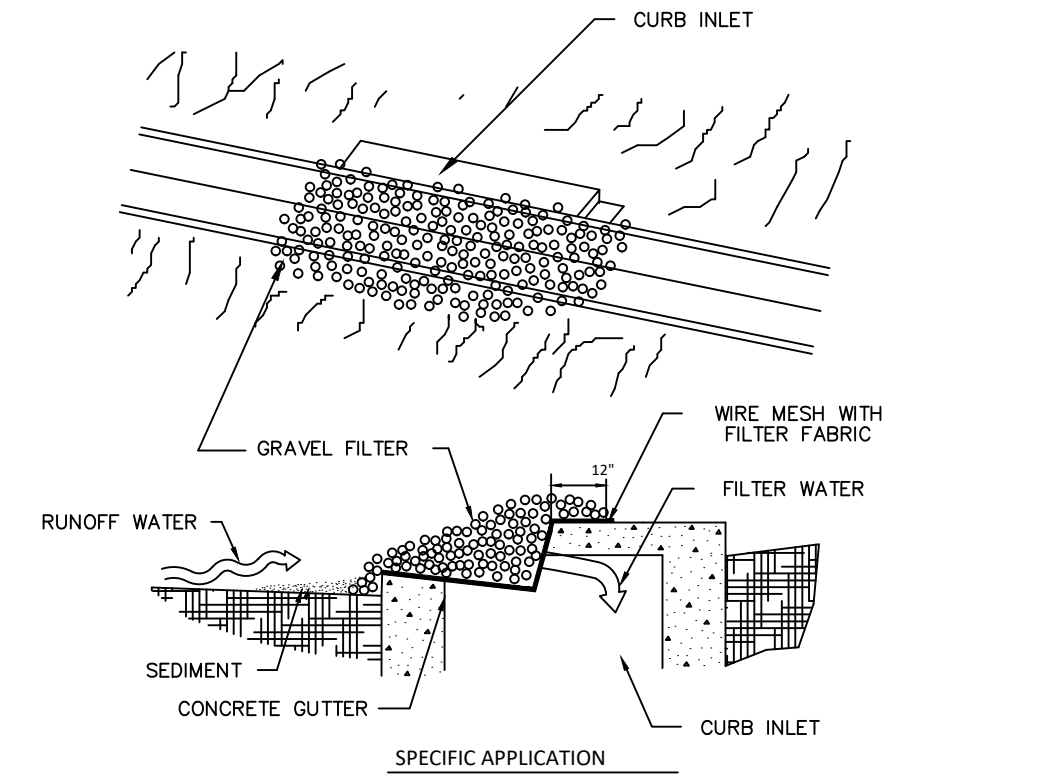
**TYPE 'C' INLET DETAIL**



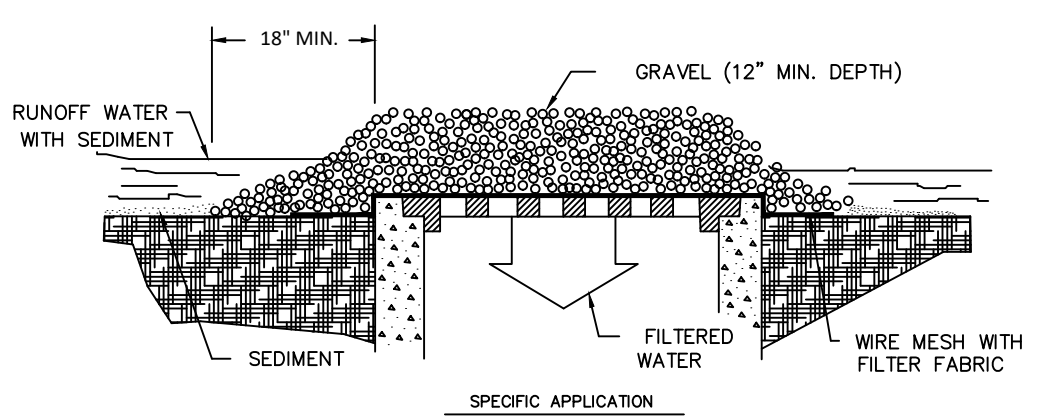
**BARRIER FOR PAVED DITCH**



**SYNTHETIC BALE BARRIERS TYPE I & II**

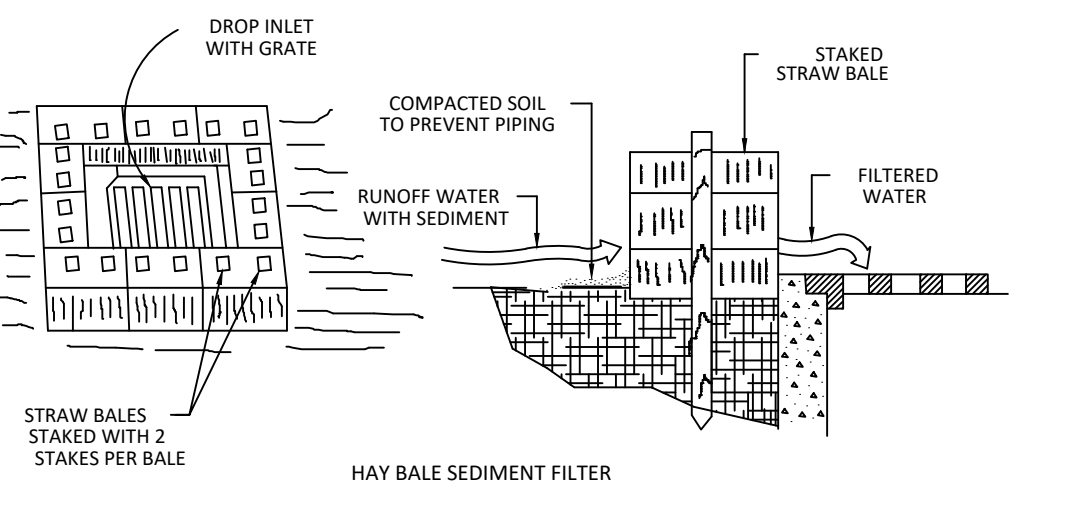


**GRAVEL CURB INLET SEDIMENT FILTER**

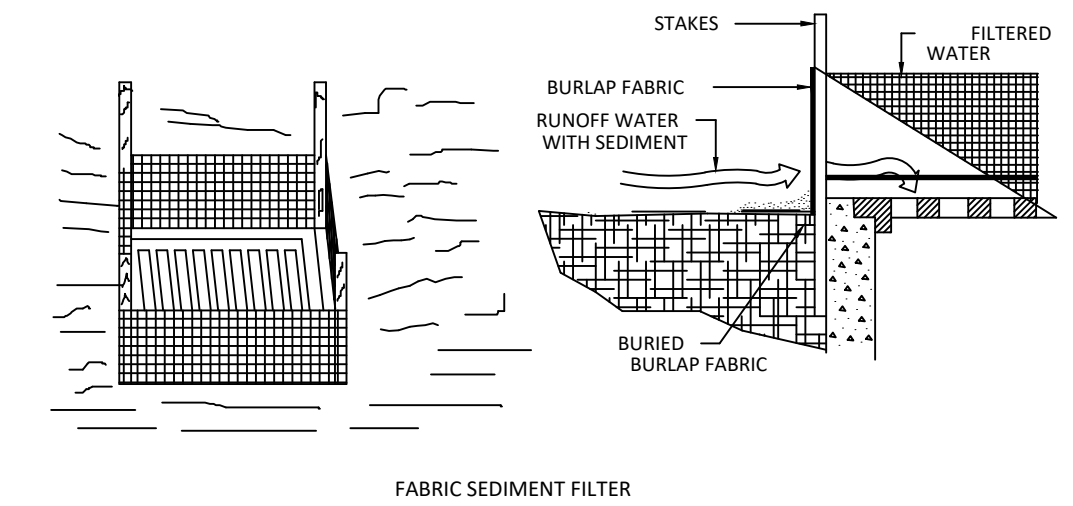


**GRAVEL AND WIRE MESH DROP INLET SEDIMENT FILTER**

**GRAVEL INLET SEDIMENT TRAP**

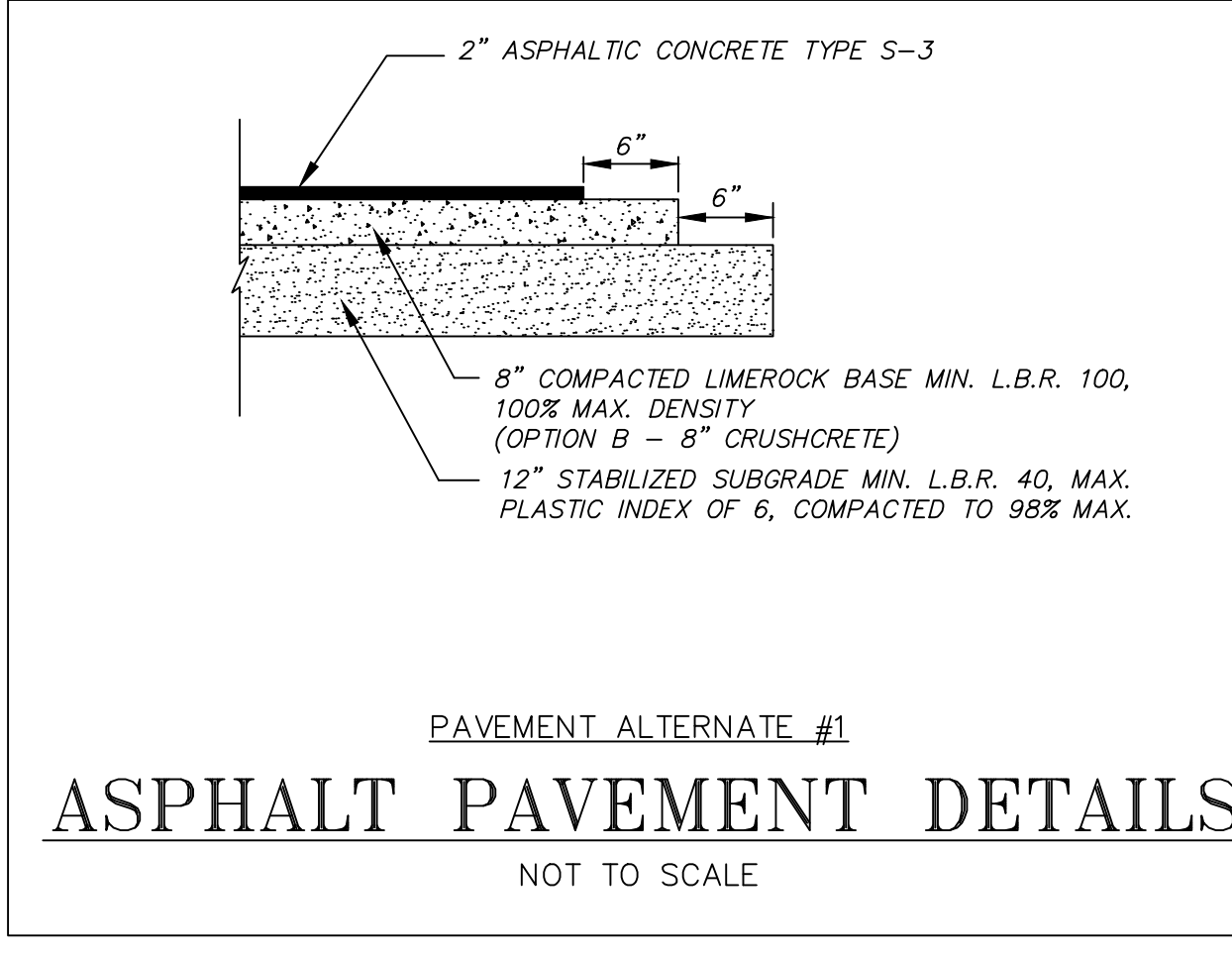


**HAY BALE SEDIMENT FILTER**

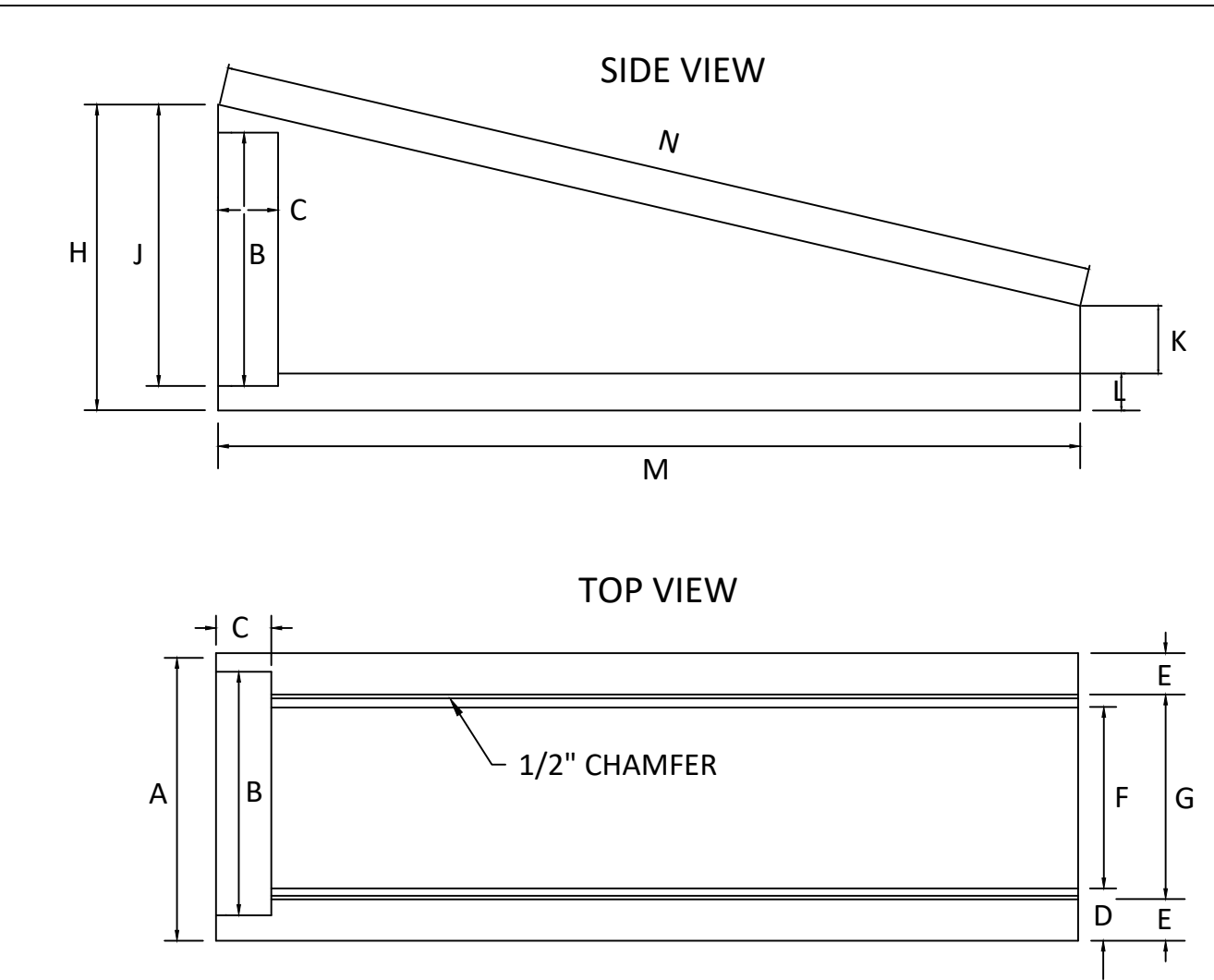


**FABRIC SEDIMENT FILTER**

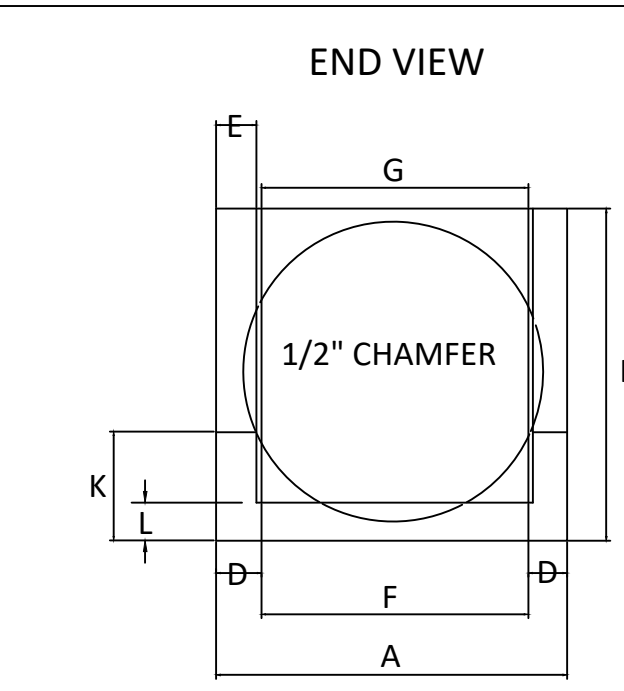
**DROP INLET SEDIMENT TRAP**



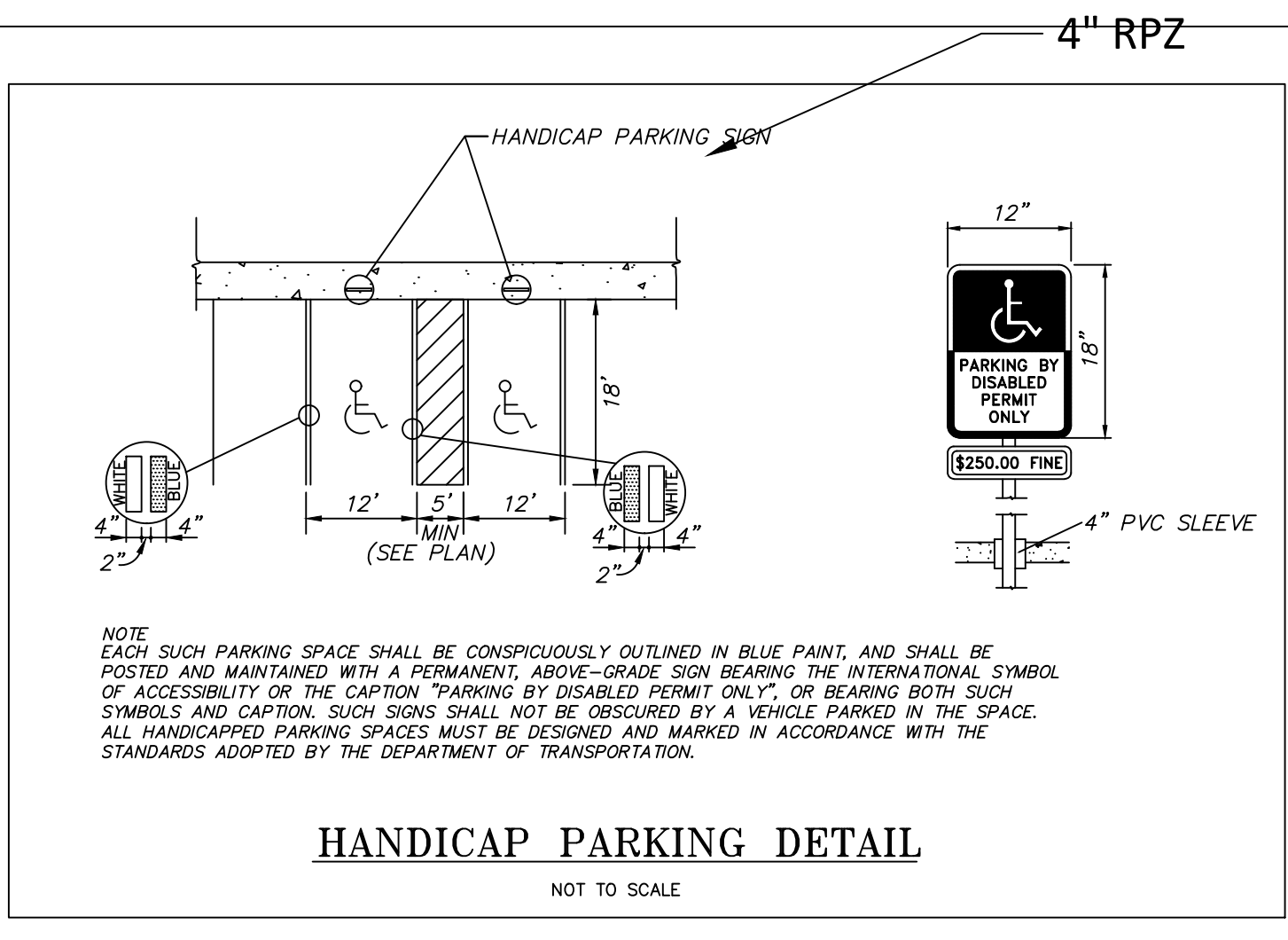
**ASPHALT PAVEMENT DETAILS**



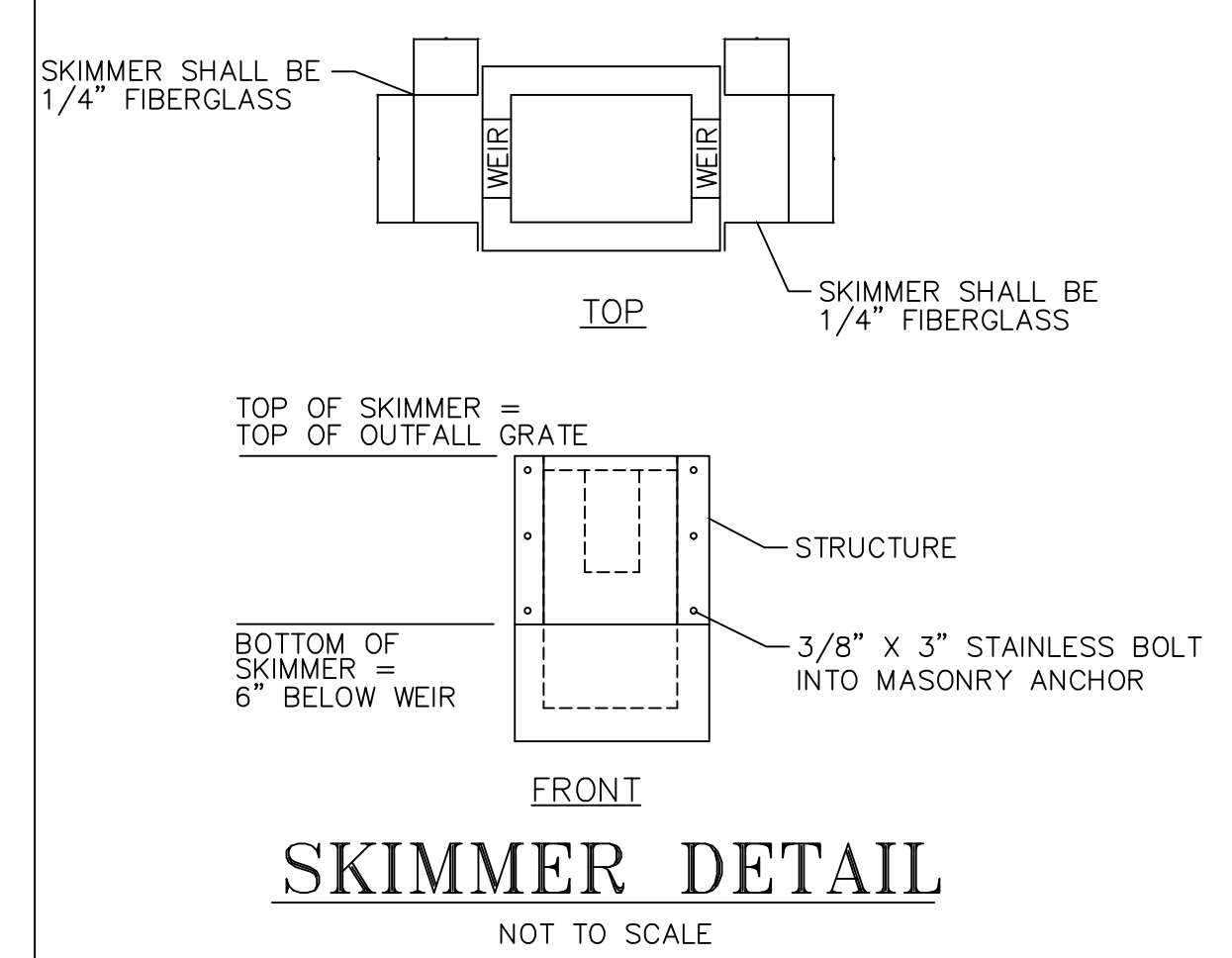
**SKIMMER DETAIL**



**HANDICAP PARKING DETAIL**



**SANITARY SEWER CLEANOUT DETAIL**



**SKIMMER DETAIL**

**CYPRESS MANAGEMENT AND DESIGN**  
 P.O. BOX 8880 FLEMING ISLAND, FL. 32006  
 904-759-9576 SITEOPT@BELLSOUTH.NET

NO.	DATE	REVISIONS

**KNIGHT CENTER  
 MASTER SITE PLAN  
 PRELIMINARY SITE DETAILS**

DATE: 5-9-2023  
 DRAWN BY: \_\_\_\_\_  
 CHKD. BY: \_\_\_\_\_  
 JOB NO.: \_\_\_\_\_

ROBERT HARTWIG  
 LA 0012  
 SHT. LC-8