

SPECIFICATION:

JOSAM 200-DIS-C EPOXY-COATED, DUCTILE IRON SLOTTED GRATE WITH CENTER HOLE FOR LOCKING BAR SECUREMENT AND FOUR POINT LOCK. -PS OPTION PROVIDES PRO-SNAP™ SECUREMENT (SEE 200-DIS-C-PS SUBMITTAL). DESIGNED TO FIT PRO-PLUS™ 200 SIZE CHANNEL. MEETS CLASS C LOADING REQUIREMENTS. MEETS ADA AND HEELPROOF SLOT REQUIREMENTS.

TRENCH DRAIN GRATE

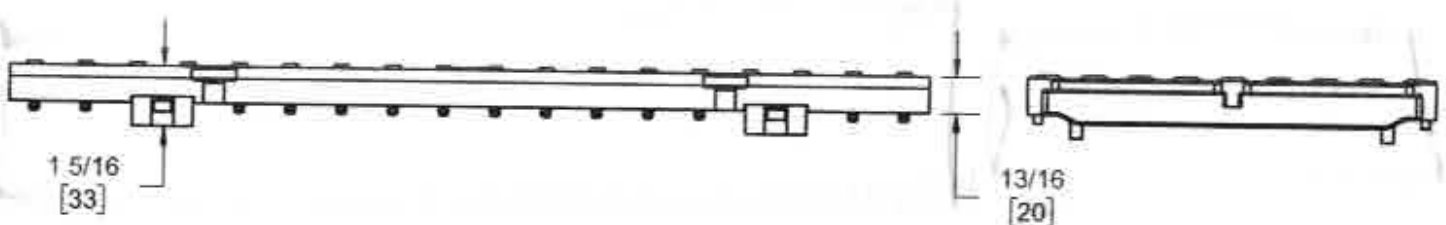
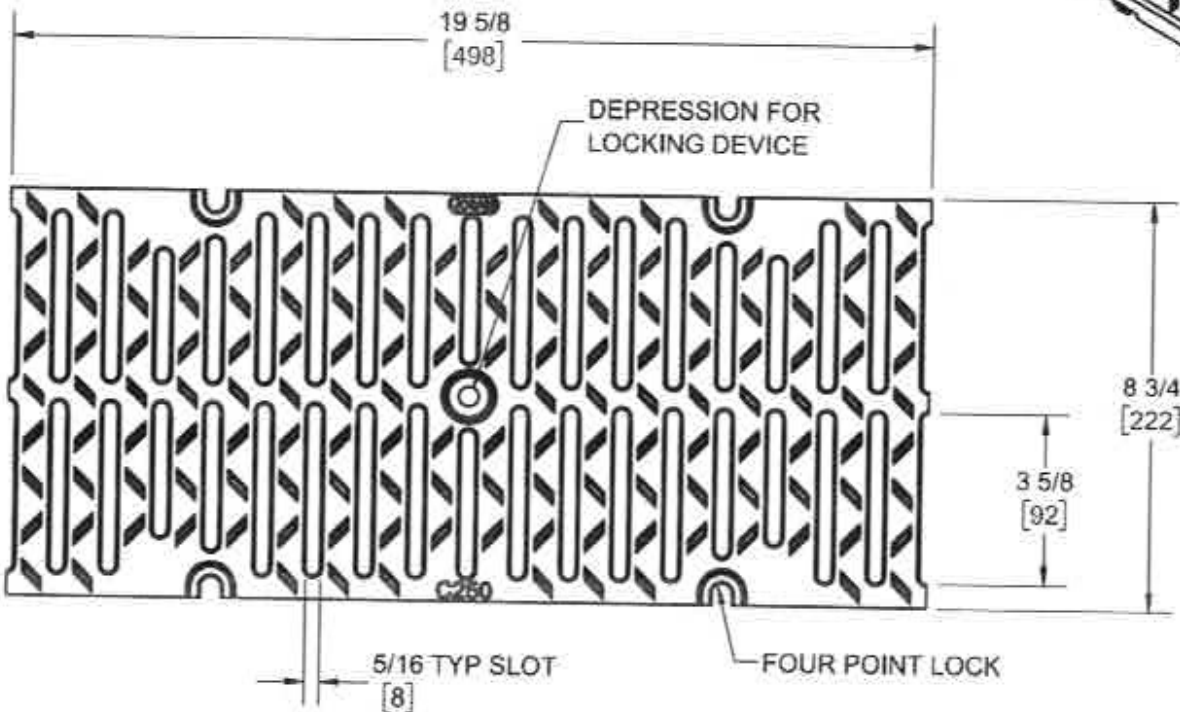
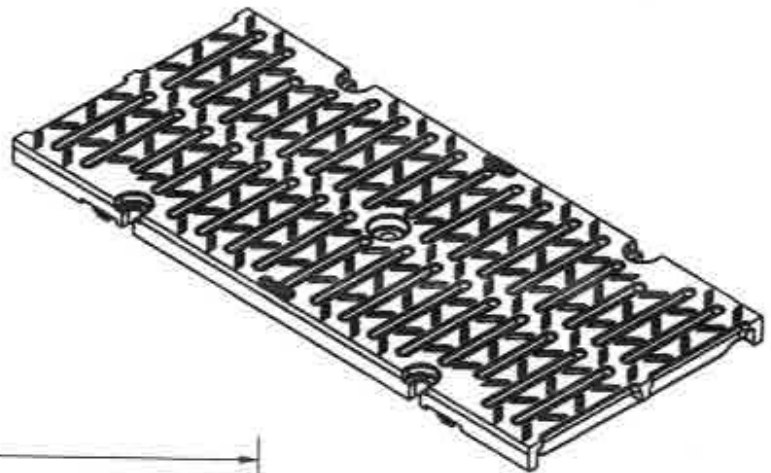
PRO-PLUS™ 200

SERIES **200-DIS-C**

NOTE:
FREE AREA IS 38 SQ. IN.
PER 1/2 METER GRATE

OPTIONS:

<input type="checkbox"/>	-DC	MADE IN USA
<input type="checkbox"/>	-GALV	GALVANIZED COATING



LOCKING BAR (ORDER SEPERATELY)	360142
BOLT DOWN (REQS. DI-RAIL) (ORDER SEPERATELY)	360143

DATE OF LAST CHANGE: 10/26/22 JTJ

DIMENSIONS ARE SUBJECT TO MANUFACTURERS TOLERANCES AND CHANGE WITHOUT NOTICE. WE CAN ASSUME NO RESPONSIBILITY FOR USE OF SUPERSEDED OR VOID DATA.



MICHIGAN CITY, INDIANA

NOTES