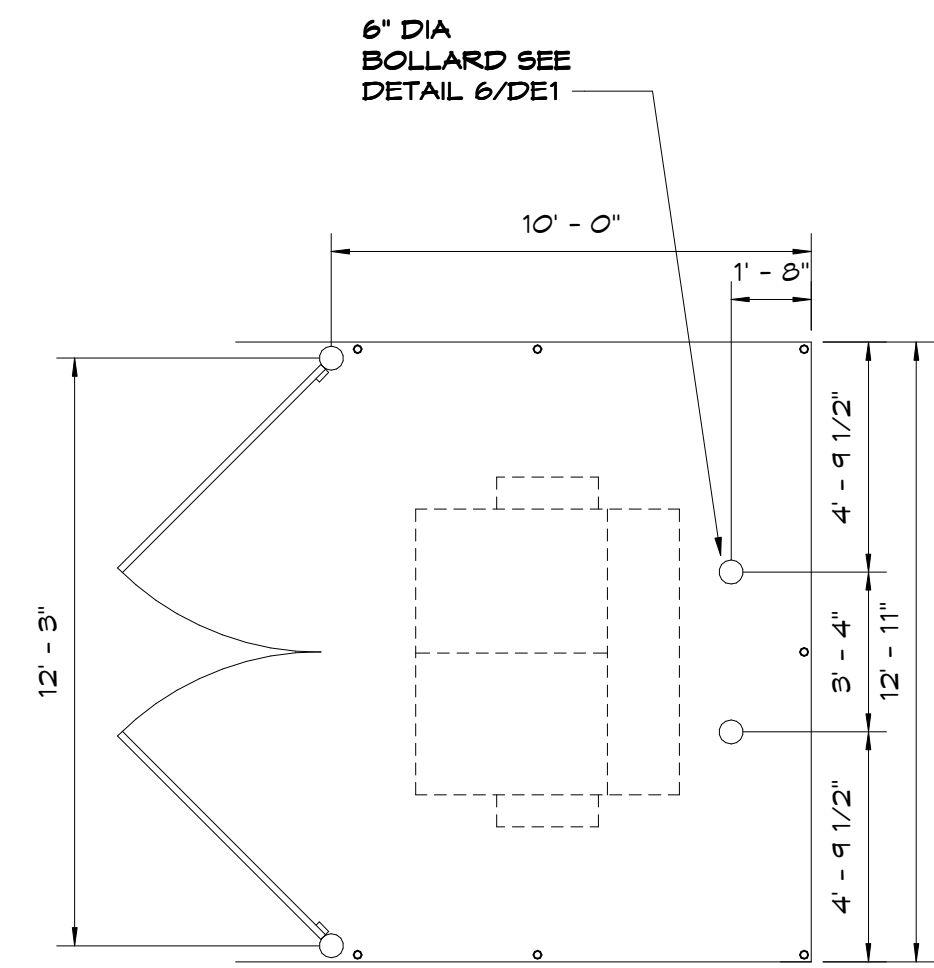


GATE HARDWARE, ALL HARDWARE AND ACCESSORIES SHALL BE HEAVY GALVANIZED.

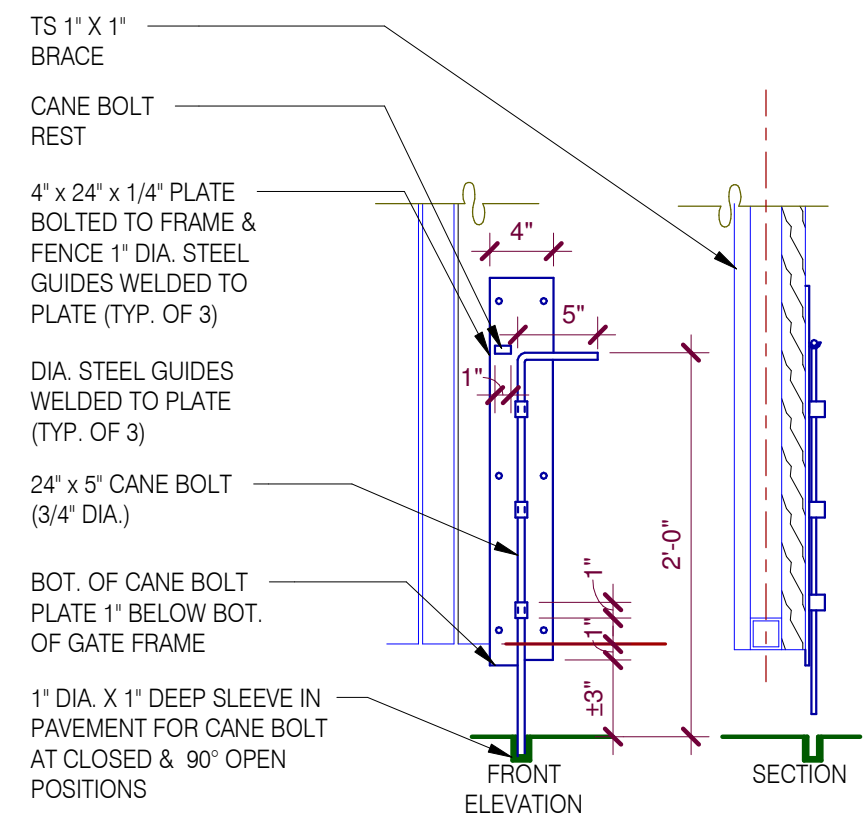
GATE STOP: MUSHROOM TYPE OR FLUSH PLATE WITH ANCHORS SET IN CONCRETE TO ENGAGE THE CENTER DROP ROD OR PLUNGER BAR.

GATE NOTES: (4) EQUAL WIDE x 6'-0" HIGH MTL. GATES, TYPE 'B' 1 1/2" DECKING, 22GA. W/T.S. 1 X 1 1875 BAR CROSS BRACING WELD AND GRIND SMOOTH ALL CONNECTIONS, TYP. PRIME AND PAINT ALL STEEL COMPONENTS.

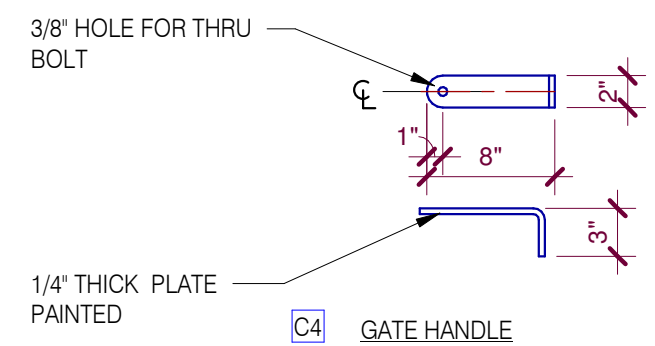
**FRONT ELEVATION**  
SCALE: 3/8" = 1'-0"  
2 DE1



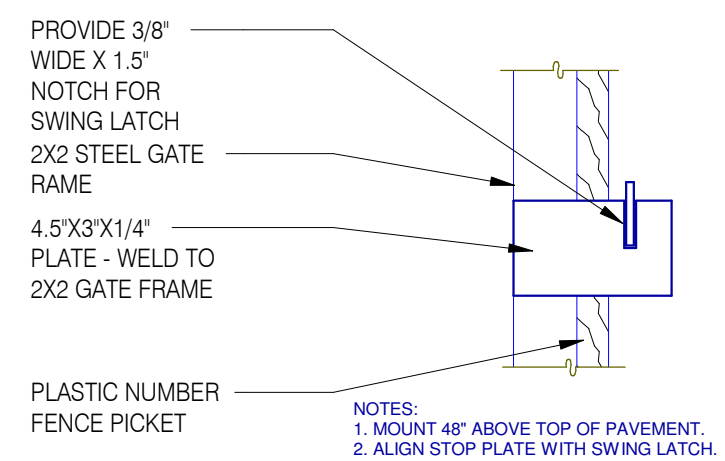
**DUMPSTER ENCLOSURE PLAN**  
SCALE: 1/4" = 1'-0"  
1 DE1



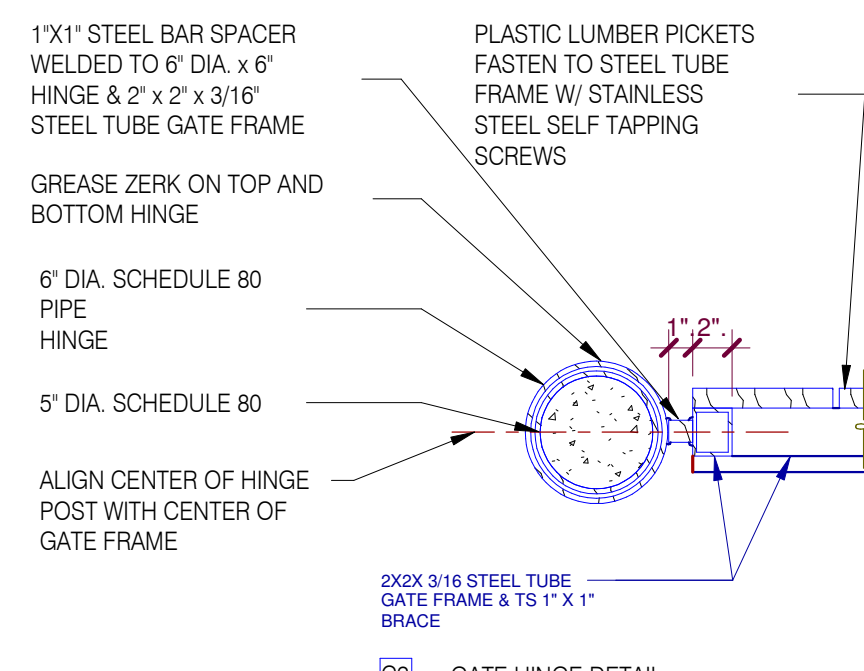
C3 CANE BOLT (1 PER GATE)



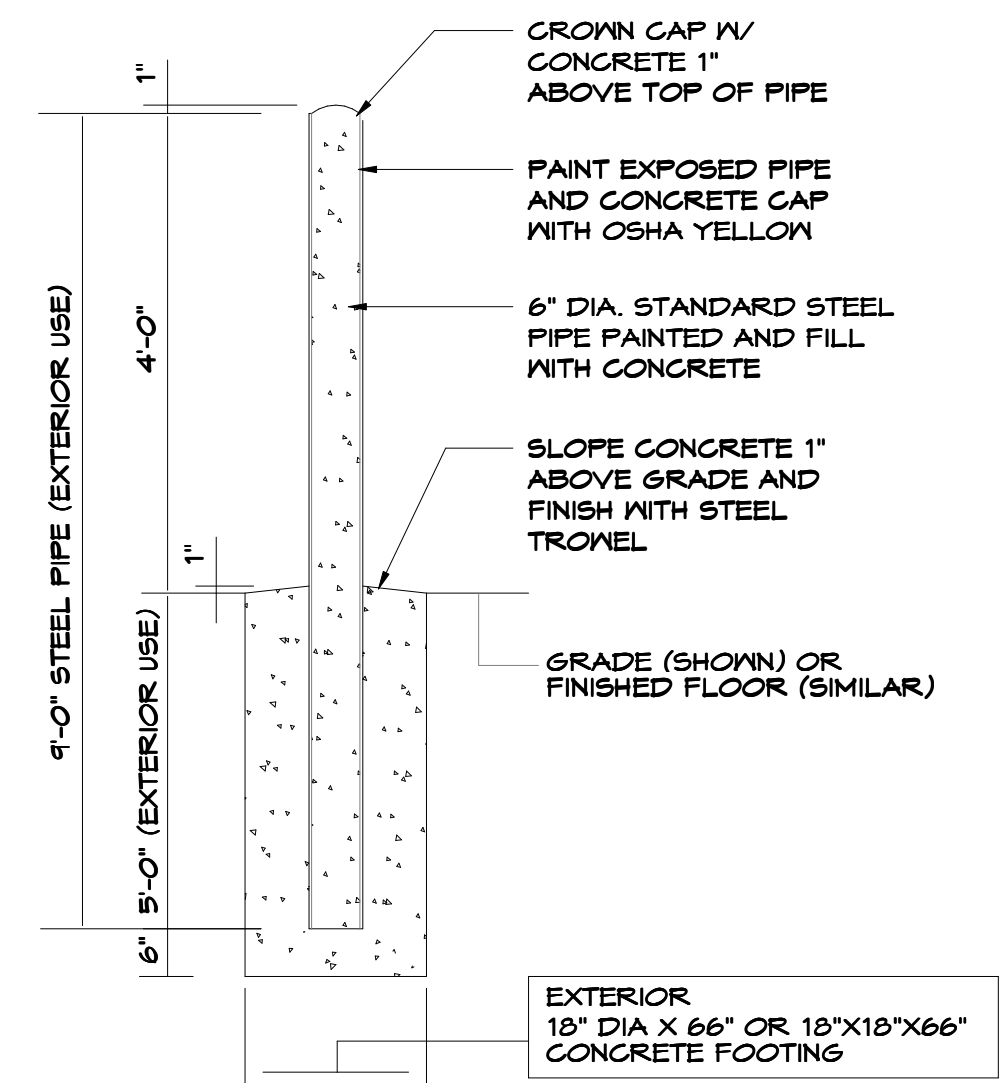
C4 GATE HANDLE



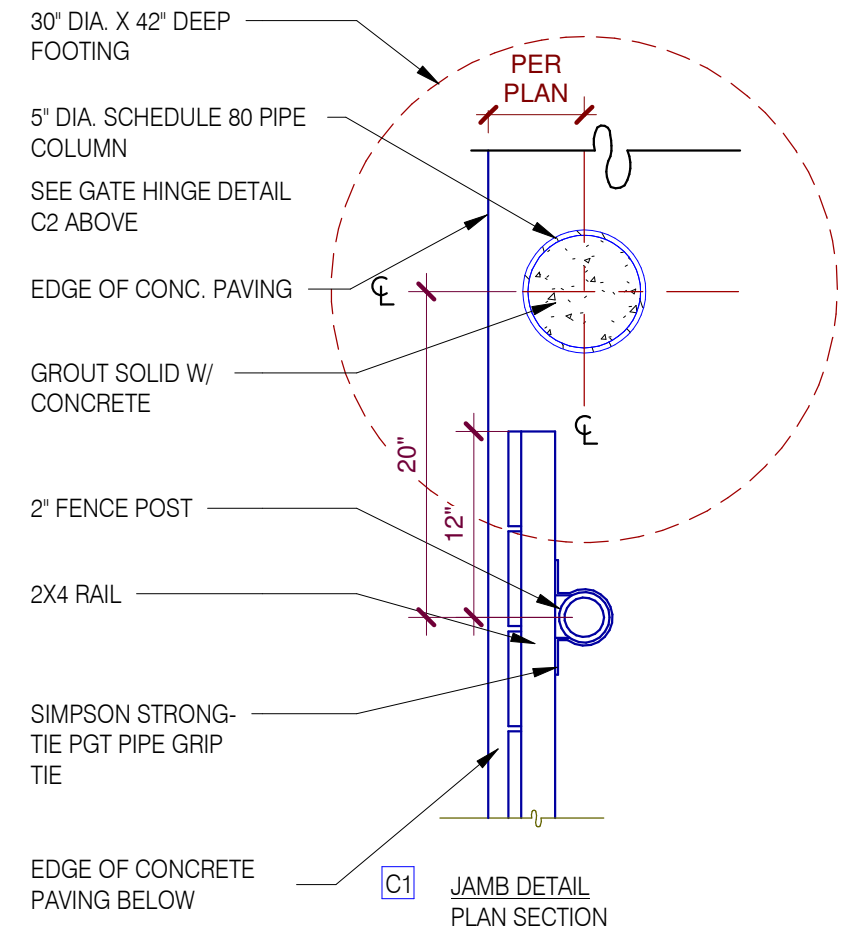
C3 STOP PLATE SECTION



C2 GATE HINGE DETAIL PLAN SECTION

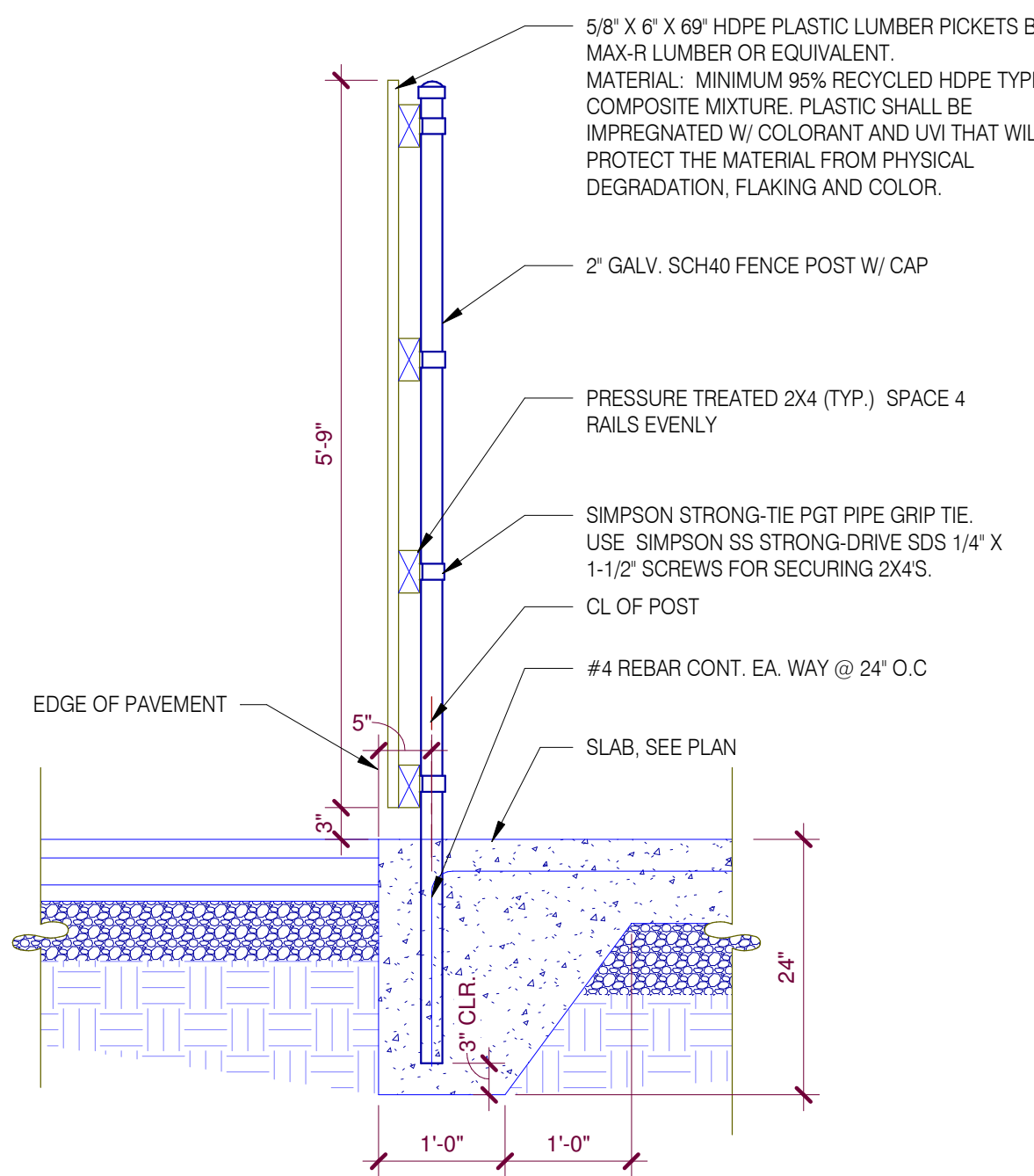


**BOLLARD SECTION**  
SCALE: 1/2" = 1'-0"  
6 DE1

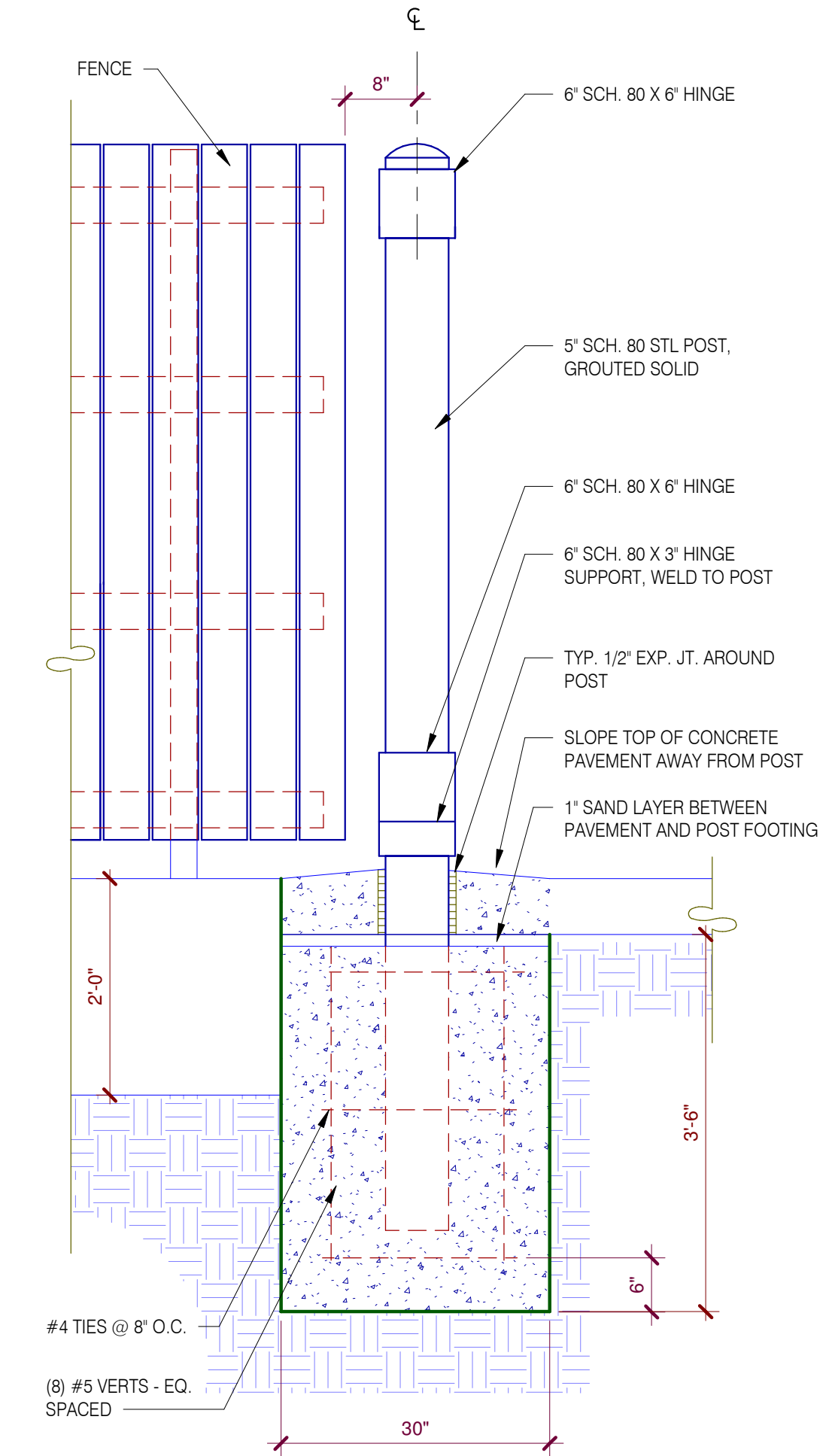


C1 JAMB DETAIL PLAN SECTION

**GATE DETAILS**  
SCALE: 1" = 1'-0"  
5 DE1



**FENCE SECTION**  
SCALE: 3/4" = 1'-0"  
4 DE1



**GATE POST FOOTING**  
SCALE: 3/4" = 1'-0"  
3 DE1